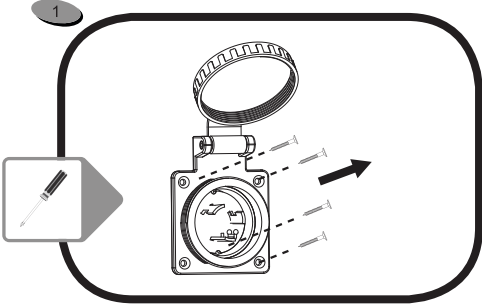
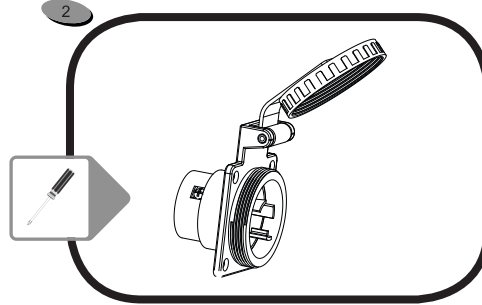




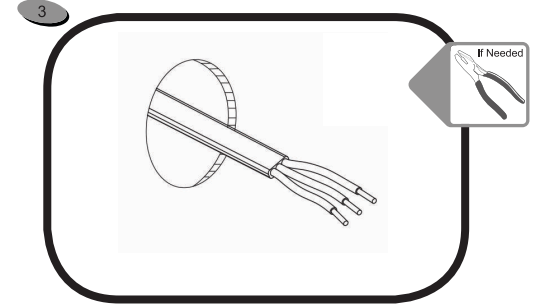
**Tools Needed**



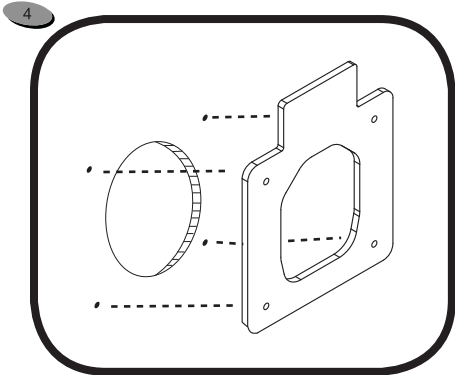
Remove old inlet's four mounting screws and remove the inlet from the boat. If the old inlet has a rear safety enclosure, loosen the strain relief clamp and remove.



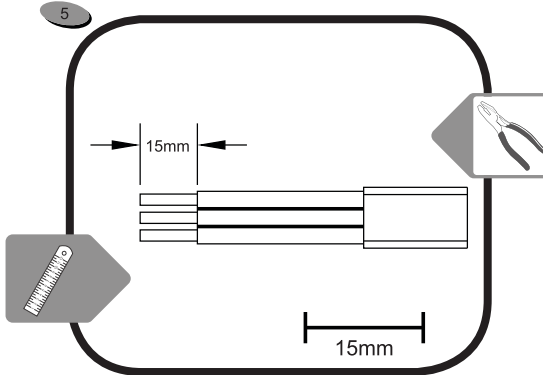
Loosen the screws on the side to disconnect the inlet from the boat's internal wiring and remove the old inlet.



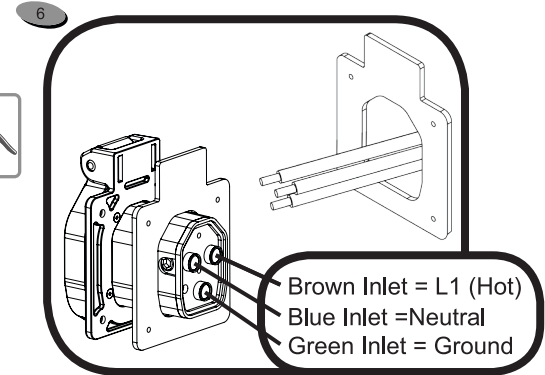
Examine the boat's internal wiring. Make sure the wire is in good condition, a clean and bright copper color. If necessary, cut back until the clean wire is found.



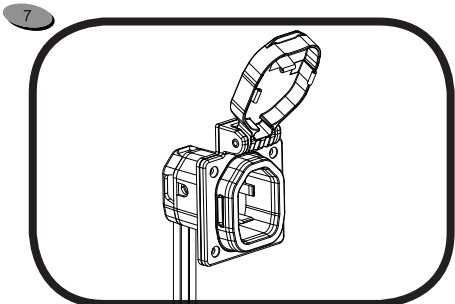
Test your new SmartPlug for proper fit and alignment of screw holes. (On some installations, you may have to modify the hole in your boat to accept the new plug). Please use the enclosed rear mounting gasket as template if necessary.



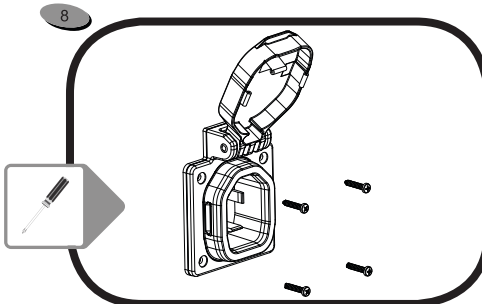
Strip the wire insulation back 15mm. Do not solder the end of the wire.



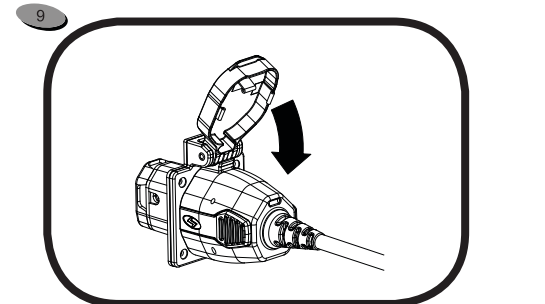
Back off the wire terminal set screws on the back of the inlet housing. To allow plenty of clearance, twist bare copper wires into a tight and straight formation. Insert the bare wires into the corresponding color-coded terminal inlets. Fully insert wires. Tighten the set screws after each wire is inserted. Use the hex key and tighten all set screws to 1.4Kgf/cm<sup>2</sup>. Make certain there are no stray copper strands.



Note\* If your installation requires using the strain relief component, bend all 3 wires flat so that they can be routed out one or more of the guides in the strain relief as shown. Screw strain relief onto back of inlet.

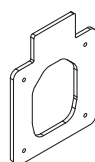


Reposition the new SmartPlug inlet in the \*boat and mount with the four #10 screws (or with the four screws from the old unit).



Insert plug into the inlet and press down on the inlet cover.

**Materials Included**



A. Rear Mounting Gasket (1)



B. SmartPlug Inlet (1)



C. Cable Strain Relief (1)