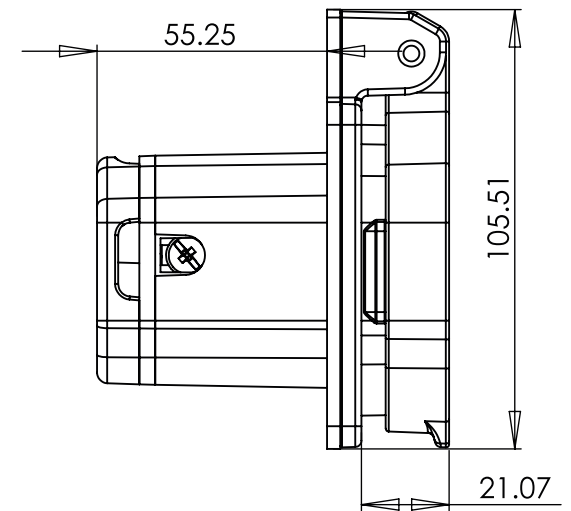
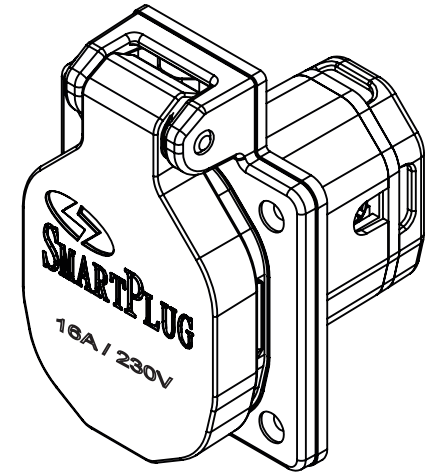
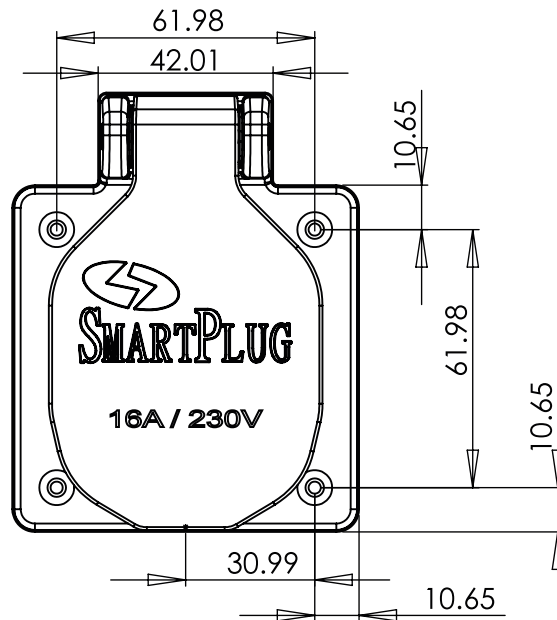
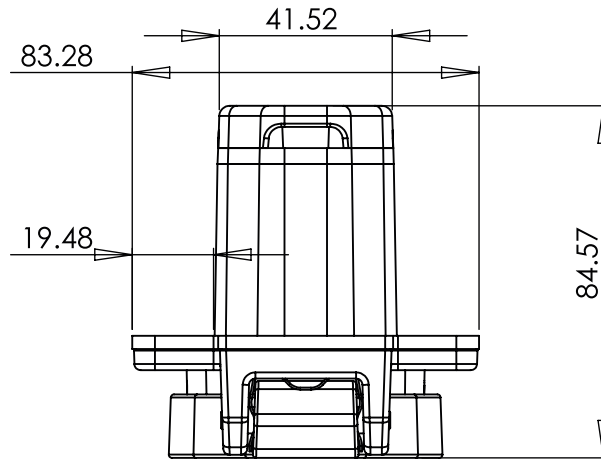
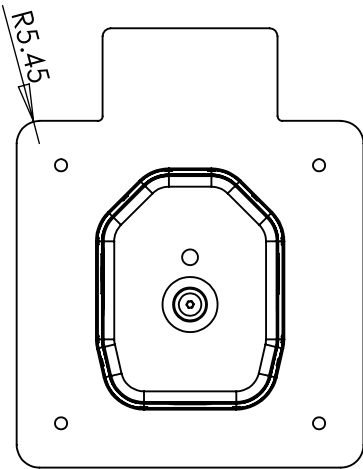
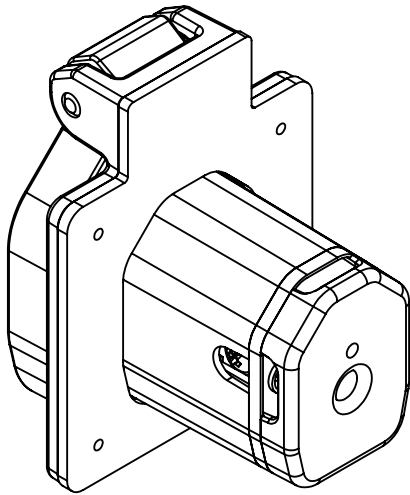




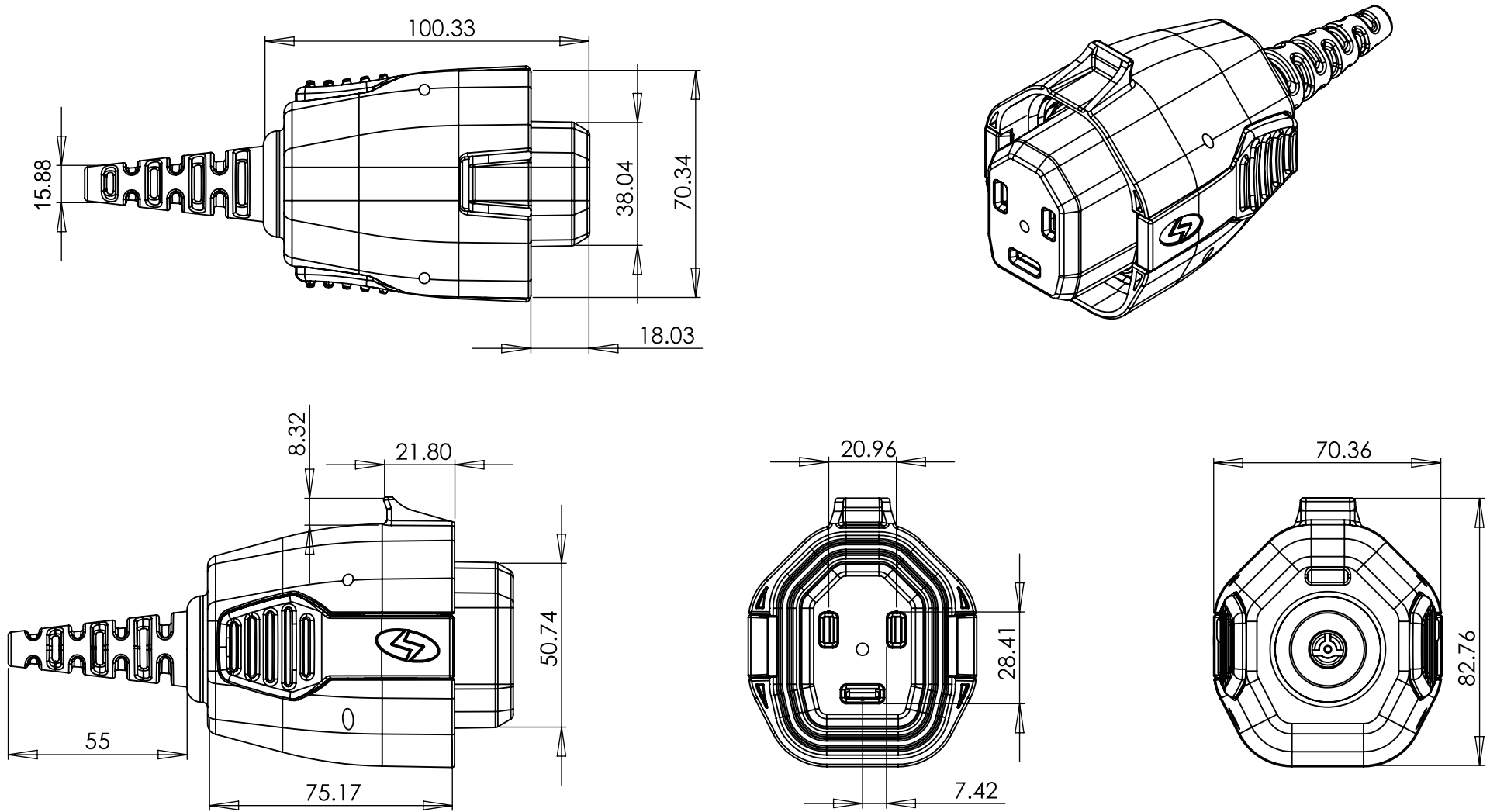
SmartPlug 16A Inlet Dimension Details



DRAWING NOT TO SCALE = DIMENSIONS ARE IN MM



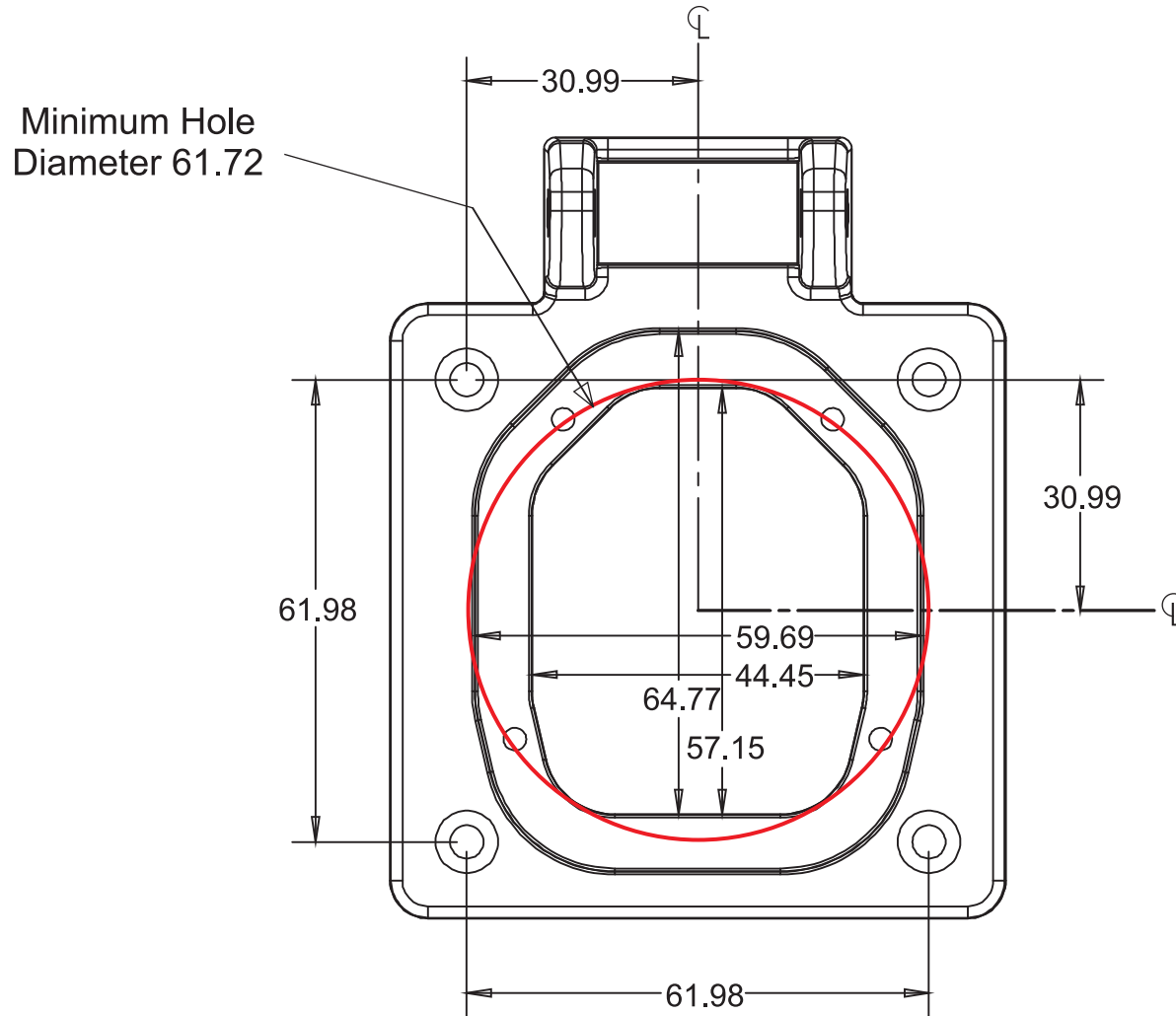
SmartPlug 16A Connector Dimension Details



DRAWING NOT TO SCALE = DIMENSIONS ARE IN MM



SmartPlug 16A Inlet Mounting Hole Template



DRAWING NOT TO SCALE = DIMENSIONS ARE IN MM