



MODEL 7031 FIXED CAPACITY HELM PUMP

The Model 7031 Helm Pump is a fixed displacement pump producing 2 cu. in. per turn. Higher capacity at 2.6 cu. in. per turn is also available. Incorporated with lock valves, filler plug and interconnecting plugs, the pump can be used in multi-station applications. When used with the Kobelt tilt up mechanism, this model forms an excellent choice in the steering system. Details see our product model 7035.

It is constructed in bronze and stainless steel for the majority of the components. Bearings, pistons and pintol are made of hardened and ground steel. As a result of the heavy duty design, the unit can be installed almost anywhere on the boat. It is a true marine product well covered by the standard Kobelt warranty.

Standard capacity: 2 cu. in. per turn
Nominal working pressure: 1000 psi

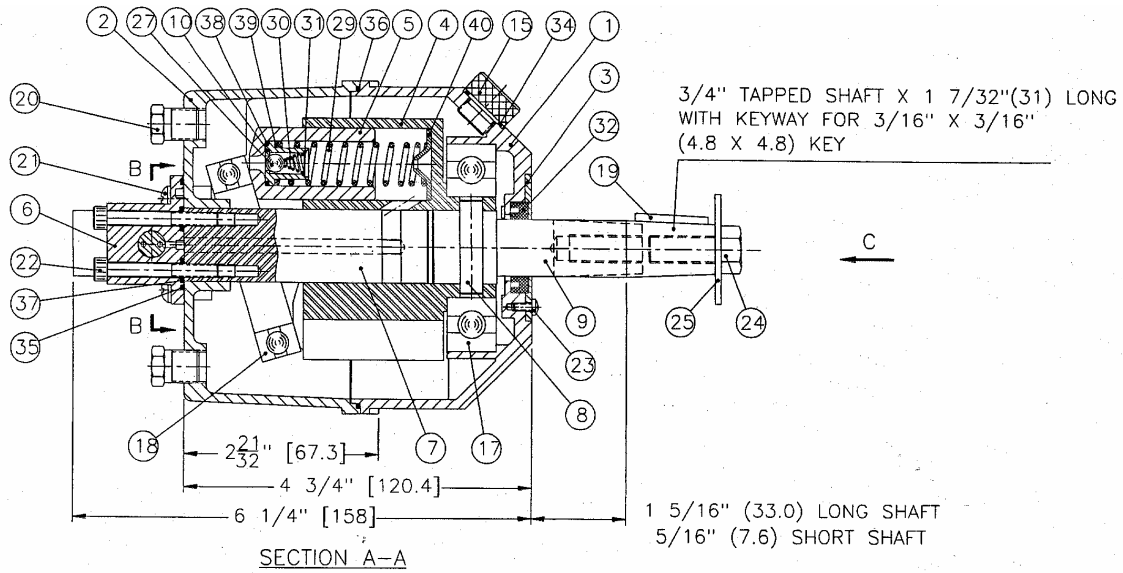
Ordering Information

- A - with cast bronze finish
- B - with black epoxy finish
- L - with long shaft
- N - with short shaft
- X - high capacity (2.6 cu. in) option

Example: 7031-AL is for a long shaft, standard 2 cu. in. capacity model with cast bronze finish.

Weight: 13 lb. (5 kg)

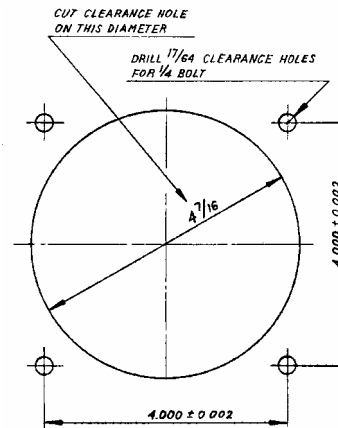
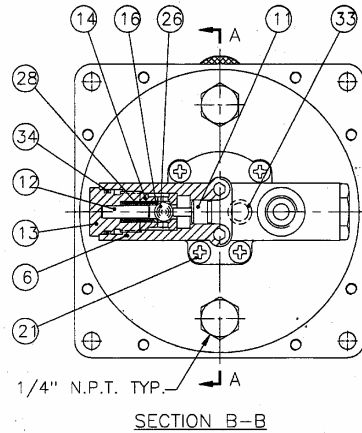
MODEL 7031



All Dimensions in inches (mm)

ITEM	QTY	PART NUMBER	DESCRIPTION
1	1	7031-0001	Front Housing
2	1	7031-0002	Rear Housing
3	1	7031-0003	Seal retainer
4	1 *	7031-0004	Rotor
4	1 *	7031-1004	Rotor
5	5 *	7031-0005	Piston
5	5 *	7031-1005	Piston
6	1	7031-0006	Lock Valve Body
7	1	7031-0007	Pintol
8	1	7031-0008	Pin
9	1 *	7031-0009	Shaft (long)
9	1 *	7031-0010	Shaft (short)
10	5	7031-1011	Ball Retainer
11	1	7003-0014	Shuttle
12	2	7003-0024	Pin
13	2	7003-0025	End Cap
14	2	7003-0026	Ball Seat
15	1 *	7003-0028	Filler Plug
15	1 *	7003-0029	Vented Filler Plug
16	2	7003-0031	Spring Seat
17	1	7031-6207	Ball Bearing
18	1	7012-51110	Thrust Bearing
19	1	7005-0020	Key
20	2	7005-121B	Hex Plug
21	12	1010-0806	Round Hd Philip Cap Screw
22	2	1002-0824	Hex Socket Hd Cap Screw
23	3	1012-0604	Pan Hd Philip Cap Screw
24	1	1001-1216	Hex Hd Machine Screw
25	1	1023-0245	Washer
26	2	1301-0110	Ball
27	5	1301-0108	Ball
28	2	1201-0171	Spring
29	5	1201-0209	Spring
30	5	1201-0163	Spring
31	2	1029-6037	Self Locking Retaining Ring
32	1	1102-2020	"U" Cup
33	2	1101-0010	"O" Ring
34	3	1101-0015	"O" Ring
35	1	1101-0026	"O" Ring
36	1	1101-0046	"O" Ring
37	2	1101-0008	"O" Ring
38	5	1101-0014	"O" Ring
39	5	1023-0214	Washer
40	5	7003-0032	Spring Seat - Ø7/8" piston
40*	5	7005-0032	Spring Seat - Ø1" piston

* Quantity may vary with options



Panel Cut-out dimension