

JACKPLATE SIDE MOUNT ADAPTER BRACKETS UNIVERSAL OFFSET FOR PORT OR STARBOARD 1810300

THE SIDE MOUNT BRACKETS WILL ONLY WORK WITH COMPATIBLE JACK PLATE DESIGNS AND MAY NOT WORK WITH ALL JACK PLATES. DRILLING HOLES TO ACCEPT THE SIDE MOUNT BRACKETS MAY VOID YOUR MANUFACTURER'S WARRANTY. MINN KOTA IS NOT RESPONSIBLE FOR DAMAGES THAT MAY RESULT.

NOTE: USE THE SUPPLIED ANTI-SEIZE ON ALL FASTENERS TO PREVENT GALLING OF THE NUT.

THE ADAPTER BRACKET IS DIRECTLY MOUNTED TO EITHER THE PORT OR STARBOARD SIDE OF AN APPROVED JACK PLATE. THE MOUNTING INSTRUCTIONS WILL BE SIMILAR FOR ANY INSTALLATION METHOD. PLEASE REFER TO THE CHART BELOW FOR COMPATIBLE JACK PLATE DESIGNS.

COMPATIBLE JACK PLATES:

<u>MANUFACTURER</u>	<u>MODEL</u>	<u>OFFSET</u>
TH MARINE	ATLAS HYDRAULIC Z-LOCK MANUAL	4" THRU 12" 6" THRU 12"
R&R DESIGNS	SLIDEMASTER MANUAL	6" THRU 12"

NOTE: FOR ALL INSTALLATIONS, IT IS RECOMMENDED THAT ONLY THE ELBOW PORTION OF THE ADAPTER BRACKET ASSEMBLY BE INSTALLED TO THE JACKPLATE BEFORE ATTACHING THE ARM AND FLAG COMPONENTS TO THE ELBOW.

INSTALLATION : SIDE MOUNT

SLIDEMASTER MANUAL & Z-LOCK MANUAL

1. Remove the mounting bolts located on either the port or starboard side of the jackplate. See photos 2 & 3.
NOTE: Where appropriate, support then outboard before removing **ANY** of the jackplate side mounting bolts. **ALL** bolts must be re-installed into the jackplate before operating the boat.
2. Remove the external jack plate side bar, if equipped. (Slidemaster only, See photo 2)
NOTE: Reuse the inner threaded plate that came with the jack plate.
3. Install the 1/2" bolts provided going thru the elbow component into the jack plate.
4. Proceed to step 5 below.

NOTE: Some earlier Atlas hydraulic jack plates do not have mounting holes drilled from the factory. Jackplates without mounting holes will have to be drilled and may require part # 1810210 spacer block kit.

ATLAS HYDRAULIC WITH HOLES:

1. Locate the (2) 1/2" mounting holes on either the port or starboard side of the jack plate.
NOTE: Holes may be located under the side decals.
2. Align the holes in the elbow component with the holes in the jack plate.
3. Fasten the elbow component to the jackplate with the hardware and anti-seize provided.
4. Proceed to step 5 below.

ATLAS HYDRAULIC WITHOUT HOLES (REQUIRES PART # 1810210 SPACER BLOCK KIT)

NOTE: Drilling (2) 1/2" mounting holes is required for this installation. Drilling mounting holes thru the Atlas jack plate **WILL NOT** void your manufacturer's warranty.

1. Position the spacer block against the side of the jack plate (port or starboard) and slide towards outboard until it touches the main jack plate support. See photo 1, back side.
2. Mark the (2) mounting holes on the side of the jack plate.
3. Drill (2) 1/2" holes thru the jack plate. Make sure there is nothing on the inside that could get damaged.
4. Proceed to step 5.(next page)

- Once the elbow component is positioned as high as possible, tighten and torque the mounting hardware to 50 ft.lbs.

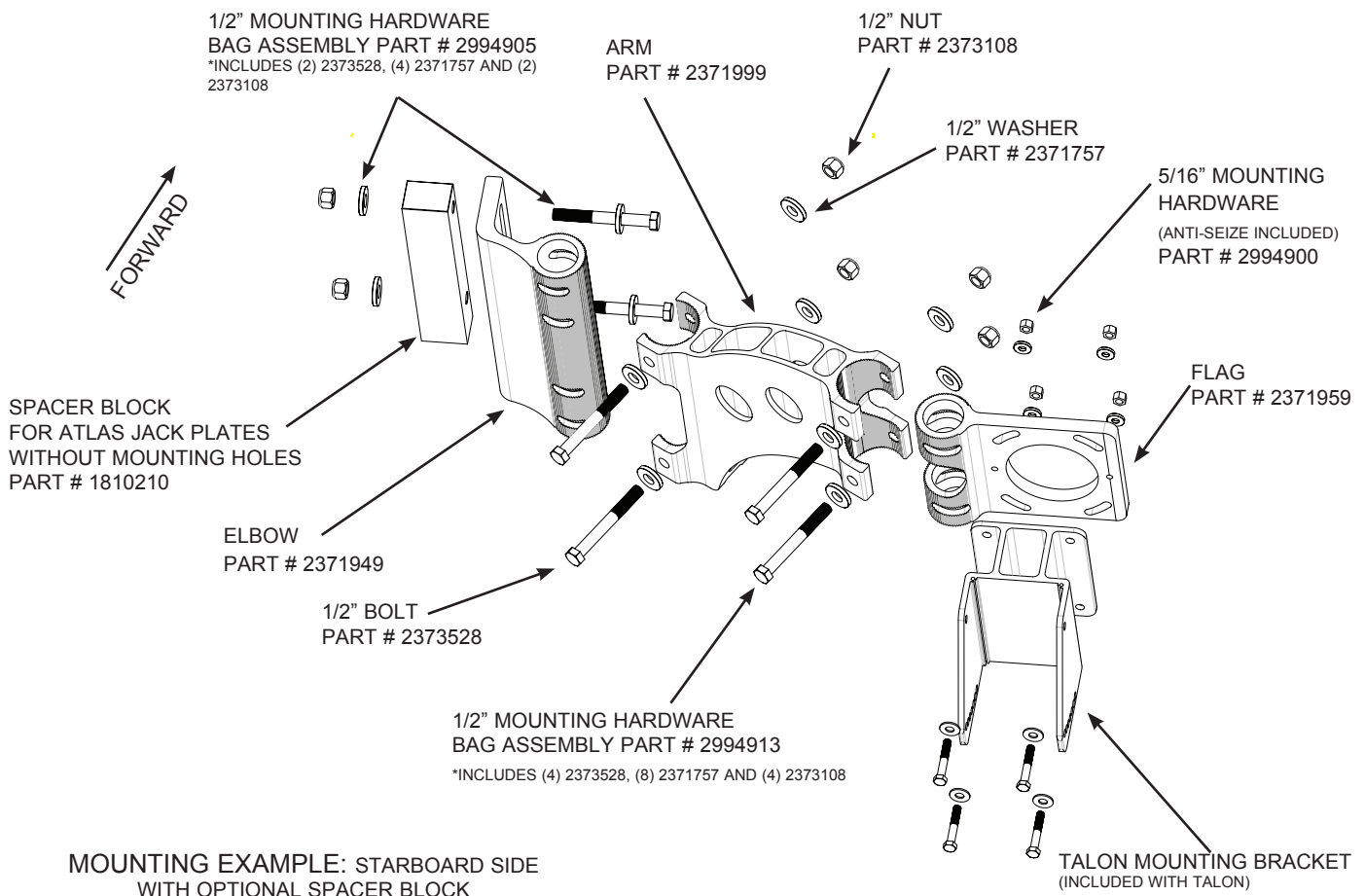
NOTE: BE SURE TO POSITION THE HEAVY DUTY 5/16" WASHERS OVER THE SLOTS ON THE INBOARD SIDE OF THE ADAPTER BRACKET.

- Carefully slide the long c-channel segment of the arm over the elbow column so the internal / external teeth align to the desired angle and assemble the 1/2" bolts, as shown, to lock it into position. Tighten hardware to 50 ft.lbs.
- Next, slide the flag column into the short c-channel segment of the arm and assemble the 1/2" bolts, as shown, to lock it into position. Tighten hardware to 50 ft.lbs.

NOTE: When properly installed, the flag portion of the adapter bracket should be parallel to the transom of the boat. It should also be oriented as close to the transom as possible to minimize the possibility of water spray.

The adapter bracket joints may be indexed to create the desired orientation. The teeth will not allow the joints to index without first separating the components. To index the joints, slide the components apart, index to the proper orientation and then re-assemble the joints.

- Complete the installation by mounting the Talon mounting bracket (included with the Talon) as instructed in the Talon installation manual.
- Attach the Talon mounting bracket to the adapter plate using the provided hardware and anti-seize.
- Slide the Talon down onto the mounting bracket and tighten the (4) vertical adjustment nuts.



NOTE:

IF THE BOAT IS TO BE RIGGED WITH A PORT AND STARBOARD ADAPTER BRACKET, IT MAY BE NECESSARY TO REMOVE A FACTORY EQUIPPED E-LADDER FOR PROPER BRACKET INSTALLATION. DUE TO THE WIDE VARIETY OF E-LADDERS, MINN KOTA IS NOT RESPONSIBLE FOR THE RE-INSTALLATION OR RE-LOCATION OF ANY FACTORY EQUIPPED E-LADDER.

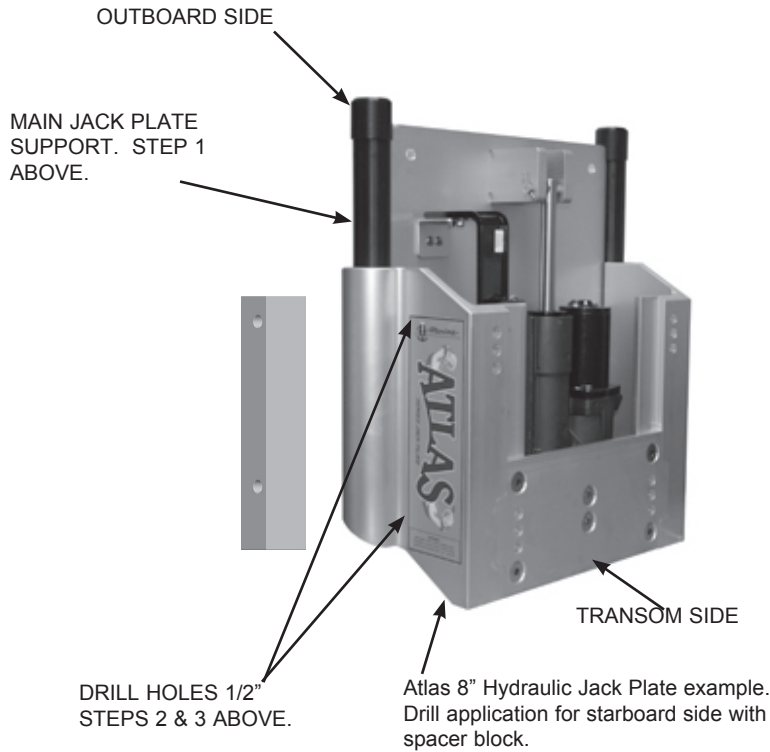
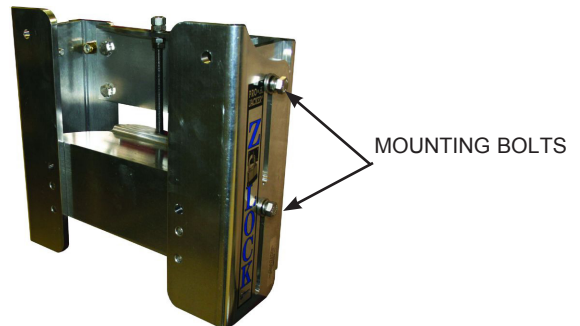


PHOTO 1 - ATLAS HYDRAULIC



PHOTO 2 - SLIDEMASTER MANUAL

PHOTO 3 - Z-LOCK MANUAL



LIMITED FIVE-YEAR WARRANTY:

Johnson Outdoors Inc. warrants to the original purchaser that the purchaser's Talon adapter bracket is free from defects in materials and workmanship appearing within five (5) years after the date of purchase.

This warranty does NOT apply in the following circumstances: (1) when the product has been installed, combined, altered, adjusted, or handled in a manner other than according to the instructions furnished with the product; (2) when any defect, problem, loss, or damage has resulted from or caused by normal wear and tear, blemishes that do not affect the functionality of the product, or accidents, abuse, alteration, modification, misuse or improper care or maintenance in accordance with the instructions of the owner's manual for the motor.