

HUMMINBIRD® SIDE IMAGING® INSTALLATION GUIDE

532406-1_A

Use the instructions in this guide to install the transducer on the transom of the boat. The Humminbird Side Imaging transducer uses a Two Piece Kick-up transducer mounting bracket.

Supplies: In addition to the hardware supplied with your transducer, you will need a powered hand drill and various drill bits, various hand tools, including a ruler or straightedge, a level, marker or pencil, safety glasses and dust mask, marine-grade silicone sealant, and dielectric grease (optional). You may also need extension cables and hardware for routing the cable to the control head.

NOTE: Due to the wide variety of hulls, only general instructions are presented in this installation guide. Each boat hull represents a unique set of requirements that should be evaluated prior to installation. It is important to read the instructions completely and understand the mounting guidelines before beginning installation.

NOTE: When drilling holes in fiberglass hulls, it is best to start with a smaller bit and use progressively larger drill bits to reduce the chance of chipping or flaking the outer coating.

NOTE: The Side Imaging transducer CANNOT be installed inside the hull of the boat.

Preparation

1. Install the control head before you start the transducer installation. See the control head installation guide.
2. Read the instructions in this transducer guide completely to understand the mounting guidelines before starting the installation.

1. Locating the Transducer Mounting Position

Turbulence: You must first determine the best location on the transom to install the transducer. It is very important to locate the transducer in an area that is relatively free of turbulent water. Consider the following to find the best location with the least amount of turbulence:

- As the boat moves through the water, turbulence is generated by the weight of the boat and the thrust of the propeller(s) - either clockwise or counterclockwise. This turbulent water is normally confined to areas immediately aft of ribs, strakes, or rows of rivets on the bottom of the boat, and in the immediate area of the propeller(s). Clockwise propellers create more turbulence on the port side. On outboard or inboard/outboard boats, it is best to locate the transducer at least 15" to the side of the propeller(s) (Figure 5).

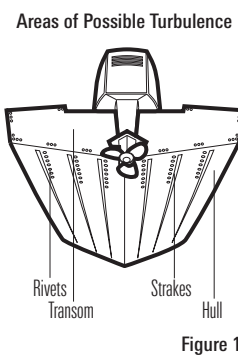


Figure 1

- The best way to locate turbulence-free water is to view the transom while the boat is moving. This method is recommended if maximum high-speed operation (up to 65 mph) is a high priority. If this is not possible, select a location on the transom where the hull forward of this location is smooth, flat, and free of protrusions or ribs (Figure 1).

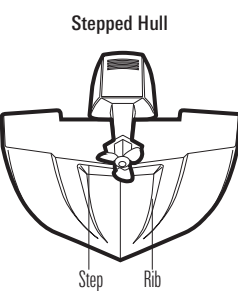


Figure 2

- If the transom is behind the propeller(s), it may be impossible to find an area clear from turbulence, and a different mounting technique or transducer type should be considered.

- If you plan to trailer your boat, do not mount the transducer too close to trailer bunks or rollers to avoid moving or damaging the transducer during loading and unloading of the boat.

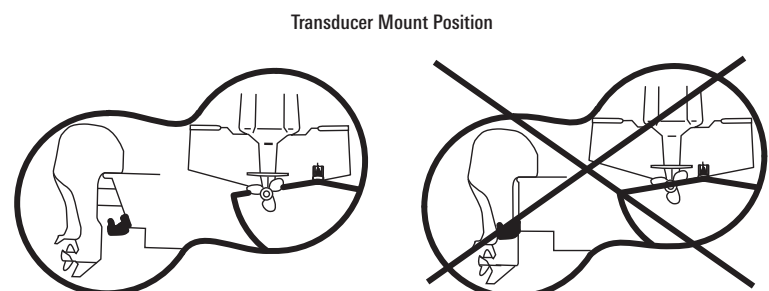
NOTE: If you cannot find a transom mount location that will work for your boat hull, a different mounting technique or transducer type should be considered. See the FAQ (Frequently Asked Questions) section of our Web site at humminbird.com or call Customer Service at 1-800-633-1468.

Side Imaging: The Side Imaging transducer has some special requirements because of its side viewing capabilities:

- The Side Imaging transducer must NOT have anything obstructing the 'view' of the side looking beams. For example, nothing can be in the line of sight of these beams (not a hull, motor, or other transducer, etc. [Figure 3]).

NOTE: You may need to tilt the motor up and out of the way when using the side looking beams.

- In order for the side beams to be displayed accurately, the transducer must be mounted so that it is looking straight down in the water when the boat is in the water.



Unobstructed View: The jack plate gives the transducer safe distance from the motor and turbulence. The Side Imaging has a clear view side-to-side.

Obstructed View: The transducer is too close to motor turbulence, and the Side Imaging view is blocked by the motor. The view cannot extend from side-to-side.

Figure 3

NOTE: The hydrodynamic shape of your transducer allows it to point straight down without deadrise adjustment (Figure 4).

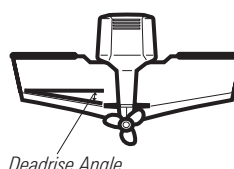


Figure 4

2. Mounting the Transducer Bracket to the Boat

1. Remove the transducer mounting template from this manual (see *Transducer Mounting Template: XHS 9 HDSI 180 T*).

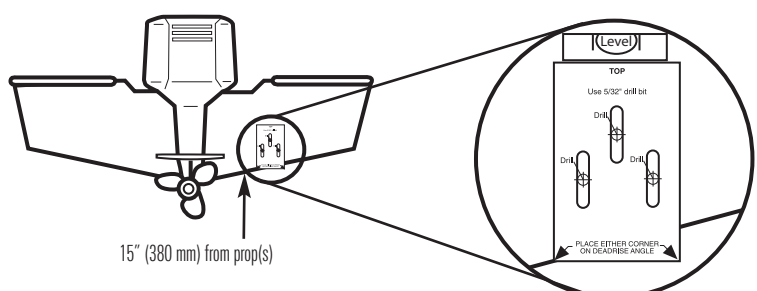


Figure 5

2. Hold the template on the transom of the boat in the location where the transducer will be installed. Align the template vertically, matching the lower edge of the transom with the bottom corner of the template. If your propeller moves clockwise as the boat moves forward, mount the transducer on the starboard side, and use the bottom left corner of the template. If your propeller moves counter-clockwise as the boat moves forward, mount the transducer on the port side, and use the bottom right corner of the template.

3. Using a pencil or punch, mark the three mounting holes on the transom. Do not mark or drill any other holes at this time.

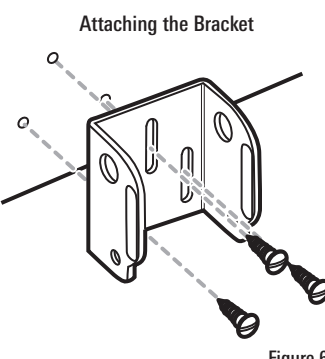


Figure 6

4. Using a 5/32" (4.0 mm) bit, drill the three holes to a depth of approximately 1" (25 mm). On fiberglass hulls, it is best to use progressively larger drill bits to reduce the chance of chipping or flaking the outer coating. Use a marine-grade silicone sealant to fill the drilled holes.

5. Align the metal mounting bracket with the mounting holes. The center slot should be above the two outer slots. (This bracket and all other hardware supplied is top quality stainless steel for maximum strength and corrosion protection.) Insert the three 1" (25 mm) flat head wood screws into the drilled holes, but do not completely tighten (Figure 6).

3. Attaching the Pivot to the Transducer

1. Attach the pivot to the transducer body using the two 1/4"-20 x 3/4" (19 mm) machine screws, toothed washers, and square nuts (Figure 7). The toothed washers must fit on the inside of the transducer knuckle, between the pivot and the knuckle. The square nuts will be prevented from rotating by the pocket in the back of the pivot. An Allen wrench is provided which fits all the 1/4"-20 screws, but do not fully tighten the screws at this time.

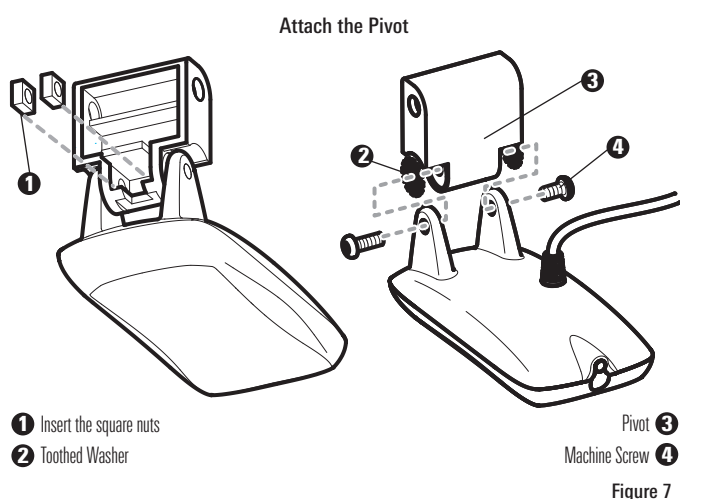


Figure 7

4. Mounting the Transducer Pivot Assembly to the Bracket

1. Slide the assembled transducer into the metal bracket from the bottom, aligning the large hole at the top of the bracket with the hole in the pivot.

2. Insert the headed pin through the pivot holes in the bracket and pivot. The headed pin can be inserted from either side of the bracket.
3. Place the nylon washer over the opposite end of the headed pin. Place the stainless washer over the 1/4"-20 x 3/4" (19 mm) screw threads, then insert into the opposite end of the headed pin and finger tighten only (Figure 8). The screw has a thread locking compound on the threads to prevent loosening, and should not be fully tightened until all adjustments are made.

NOTE: The running position of the transducer is now completely adjustable. Subsequent adjustment may be necessary to tweak the installation after high speed testing.

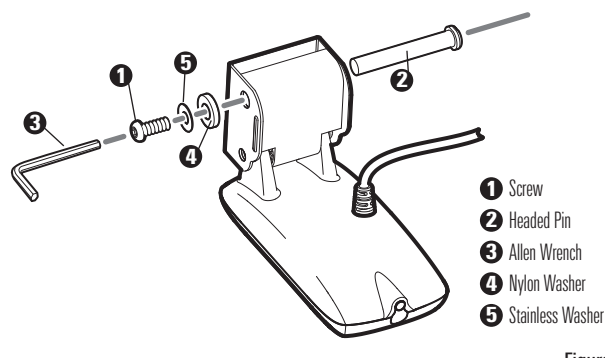


Figure 8

5. Adjusting the Running Position of the Transducer

The transducer mounting bracket allows height and tilt adjustment, while the pivot bolt allows angular adjustment. These adjustments will help reduce cavitation. Initially, adjust the transducer as described in the following paragraphs. Further adjustment may be necessary to refine the installation after high-speed testing.

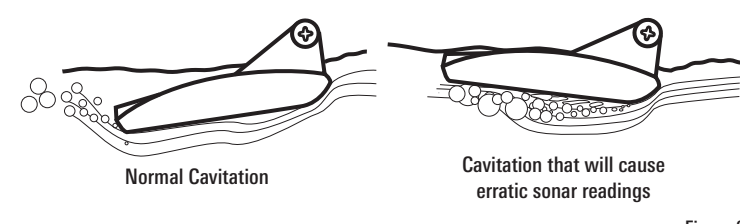


Figure 9

1. First, adjust the pivot angle of the transducer body, so it is parallel with the length of the boat hull.

2. Fully tighten the two pivot screws, using the supplied Allen wrench. Access to the pivot screws is provided by the lower holes in the side of the mounting bracket. It may be necessary to re-tighten the pivot bolt after initial use as the plastic may still be conforming to the pressure from the lock washers.

3. Adjust the height of the assembly so the face of the transducer is 1/8" (3 mm) to 1/4" (6 mm) beneath the bottom of the transom, and fully tighten the three mounting screws.

Tighten the Mounting Screws

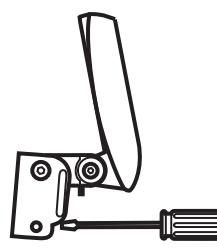


Figure 10

4. In order to gain access to the mounting screws, the transducer assembly must be pivoted up in the bracket as shown in Figure 10. Be careful not to alter the running angle as some force is necessary to pivot the assembly.

5. If access to the top mounting hole is not possible due to the selected height of the transducer, fully tighten the two lower screws, then simply remove the headed pivot pin and the transducer assembly, and tighten the top screw, then reassemble.

6. Confirm that the pivot angle has not changed and that all mounting screws are fully tightened.

6. Routing the Cable

You can route the cable **over the transom** or **through a hole in the transom above the waterline**. Your boat may have a pre-existing wiring channel or conduit that you can use to route the cable. Select the routing method that is best for your boat configuration, and purchase any extension cables, cable clips, clamps, etc. as needed.

Also, keep in mind the following:

- It is best to route the cable to the side of the transducer so the transducer will not damage the cable during movement.

Routing the Cable
Example shown with cable clips and escutcheon plate. Separate purchase required.

- The transducer can pivot up to 90 degrees in the bracket. Allow enough slack in the cable for this movement.

- If you drill any holes, fill them with marine-grade silicone sealant.

CAUTION! Do not cut or shorten the transducer cable, and try not to damage the cable insulation. Route the cable as far as possible from any VHF radio antenna cables or tachometer cables to reduce the possibility of interference. If the cable is too short, extension cables are available to extend the transducer cable up to a total of 50'. For assistance, contact Humminbird Customer Service.

CAUTION! Do NOT mount the cables where the connectors could be submerged in water or flooded. If cables are installed in a splash-prone area, it may be helpful to apply dielectric grease to the inside of the connectors to prevent corrosion. Dielectric grease can be purchased separately from a general hardware or automotive store.

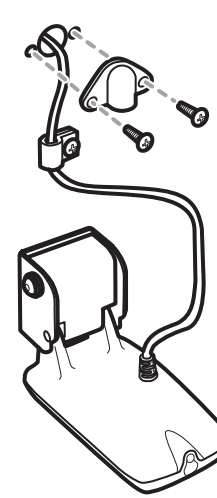


Figure 11

Excess Cable: If there is excess cable that needs to be gathered at one location, dress the cable routed from both directions so that a single loop is left extending from the storage location. Doubling the cable up from this point, form the cable into a coil. Storing excess cable using this method can reduce electronic interference (Figure 12).

Storing Excess Cable

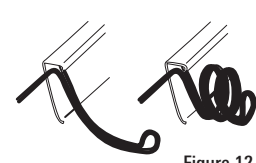


Figure 12

7. Connecting the Cable

1. Connect the transducer cable to the transducer port on the control head. See your control head installation guide for details.

8. Testing and Finishing the Installation

Once you have installed both the control head and the transom transducer, and have routed all the cables, you must perform a final test before locking the transducer in place. Testing should be performed with the boat in water deeper than 2 feet. The transducer should be fully submerged because the sonar signal cannot pass through air.

1. Press the POWER key to turn on the control head. If the unit does not power up, check all power cable connections and that power is available.

2. When the Title screen is shown on the display, press the MENU key.

3. Press the UP Cursor key to choose Normal. Press the RIGHT Cursor key to start Normal mode.

4. Press the VIEW key repeatedly until a Sonar View is displayed on-screen. If the bottom is visible on-screen with a digital depth readout, the unit is working properly.

5. If the unit is working properly, gradually increase the boat speed to test high-speed performance. If the unit functions well at low speeds, but begins to skip or miss the bottom at higher speeds, the transducer requires adjustment.

6. If you have the correct angle set on the transducer, yet lose a bottom reading at high speed, adjust the height and the running angle in small increments to give you the ideal transducer position for your boat. First, adjust the height in small increments.

NOTE: The deeper the transducer is in the water, the more likely that a rooster tail of spray will be generated at high speeds, so make sure that the transducer is as high as it can be and still be submerged in the water.

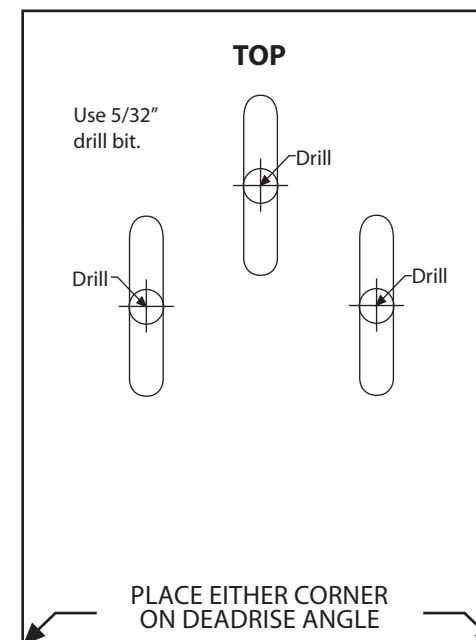
If you do change the transducer position, re-trace the position of the mounting bracket before proceeding.

NOTE: It is often necessary to make several incremental transducer adjustments before optimum high speed performance is achieved. Due to the wide variety of boat hulls, however, it is not always possible to obtain high speed depth readings.

7. Once you have reached a consistently good sonar signal at the desired speeds, you are ready to lock down the transducer settings. Mark the transducer bracket location on the transom with a pencil, then pop up the bracket to reveal the mounting screws. Tighten the stainless steel mounting bracket screws to secure in place. **Hand-tighten only!**

Transducer Mounting Template: XHS 9 HDSI 180 T

Remove and use for
transducer installation



WARNING! Disassembly and repair of this electronic unit should only be performed by authorized service personnel. Any modification of the serial number or attempt to repair the original equipment or accessories by unauthorized individuals will void the warranty.

WARNING! This product contains chemicals known to the State of California to cause cancer and birth defects or other reproductive harm.

ENVIRONMENTAL COMPLIANCE STATEMENT: It is the intention of Johnson Outdoors Marine Electronics, Inc. to be a responsible corporate citizen, operating in compliance with known and applicable environmental regulations, and a good neighbor in the communities where we make or sell our products.

WEEE DIRECTIVE: EU Directive 2002/96/EC "Waste of Electrical and Electronic Equipment Directive (WEEE)" impacts most distributors, sellers, and manufacturers of consumer electronics in the European Union. The WEEE Directive requires the producer of consumer electronics to take responsibility for the management of waste from their products to achieve environmentally responsible disposal during the product life cycle.

WEEE compliance may not be required in your location for electrical & electronic equipment (EEE), nor may it be required for EEE designed and intended as fixed or temporary installation in transportation vehicles such as automobiles, aircraft, and boats. In some European Union member states, these vehicles are considered outside of the scope of the Directive, and EEE for those applications can be considered excluded from the WEEE Directive requirement.

This symbol (WEEE wheeled bin) on product indicates the product must not be disposed of with other household refuse. It must be disposed of and collected for recycling and recovery of waste EEE. Johnson Outdoors Marine Electronics, Inc. will mark all EEE products in accordance with the WEEE Directive. It is our goal to comply in the collection, treatment, recovery, and environmentally sound disposal of those products; however, these requirements do vary within European Union member states. For more information about where you should dispose of your waste equipment for recycling and recovery and/or your European Union member state requirements, please contact your dealer or distributor from which your product was purchased.

© 2015 Johnson Outdoors Marine Electronics, Inc. All rights reserved.

CONTACT HUMMINBIRD

Contact Humminbird Customer Service in any of the following ways:

Web site:
humminbird.com

E-mail:
service@humminbird.com

Telephone:
1-800-633-1468

Direct Shipping:
Humminbird
Service Department
678 Humminbird Lane
Eufaula, AL 36027 USA

Hours of Operation:
Monday - Friday
8:00 a.m. to 4:30 p.m. (Central Standard Time)



NOTICE D'INSTALLATION HUMMINBIRD IMAGERIE LATÉRALE

532406-1_A

Il y a trois tâches de base à effectuer pour installer le système de peche Humminbird. Le modèle Humminbird imagerie latérale utilise un support de montage de transducteur à pivot en deux pièces.

Matériel : En plus du matériel fourni avec le transducteur, vous aurez besoin d'une perceuse électrique et de forets, ainsi que de divers outils à main, dont une règle ou règle d'ajusteur, un niveau, un marqueur ou crayon, des lunettes de sécurité, un masque antipoussières et un agent d'étañchéité à base de silicone de qualité marine, et la graisse diélectrique (facultatif). Vous pouvez aussi avoir besoin de câbles d'extension et de matériel pour la pose du câble à la tête de commande.

REMARQUE : *En raison de la grande variété de coques, nous ne présentons dans cette notice que des directives d'installation générales. Chaque bateau présente des exigences particulières qu'il faut évaluer avant l'installation. Avant de procéder à l'installation, il est important de lire les instructions dans leur intégralité et de comprendre les directives de montage.*

REMARQUE : *Pour les coques en fibre de verre, il vaut mieux commencer avec un foret d'un diamètre plus petit et utiliser des forets d'un diamètre plus grand par la suite, afin de réduire les chances d'écailler le revêtement extérieur.*

REMARQUE : *Le transducteur à imagerie latérale NE PEUT être installé à l'intérieur de la coque du bateau.*

Préparation

- Installez la tête de commande avant de commencer l'installation du transducteur. Consultez le guide d'installation de la tête de commande.
- Lisez les instructions dans ce guide de transducteur complètement à comprendre les directives de montage avant de commencer l'installation.

1. Détermination de l'emplacement de montage du transducteur

Turbulence : Déterminez en premier lieu le meilleur emplacement pour installer le transducteur sur le tableau arrière. Il est très important de positionner le transducteur à un endroit relativement libre de turbulences. Tenez compte des facteurs suivants pour déterminer l'emplacement où il y aura le moins de turbulences.

- Un bateau qui se déplace sur l'eau génère une traînée de turbulences causées par son poids et la propulsion de l'hélice (des hélices), peu importe si elle(s) tourne(nt) dans le sens horaire ou antihoraire. Ces turbulences se limitent normalement aux zones situées directement à l'arrière des membrures, virures ou rangées de rivets sous le bateau et dans la zone immédiate de l'hélice (des hélices). Les hélices à rotation horaire créent plus de turbulences à bâbord. Sur les bateaux munis d'un moteur hors-bord ou semi-hors-bord, il vaut mieux placer le transducteur à une distance d'au moins 380 mm (15 po) à côté de l'hélice (des hélices). (Figure 5)

- La meilleure façon de localiser un emplacement libre de turbulences est de regarder le tableau arrière lorsque le bateau se déplace. Nous recommandons cette méthode si le fonctionnement optimal à grande vitesse [jusqu'à 105 km/h (65 mph)] constitue une priorité. Si ce n'est pas possible, choisissez une position sur le tableau arrière où la coque devant cet emplacement est lisse, plate et libre de protubérances ou de membrures. (Figure 1)

- Sur les bateaux ayant une coque à décrochement, il est possible de monter le transducteur sur le décrochement. Ne montez pas le transducteur sur le tableau arrière, derrière un décrochement, sinon le transducteur pourrait émerger de l'eau à haute vitesse. Le transducteur doit rester immergé dans l'eau pour que la tête de commande puisse maintenir le signal sonar. (Figure 2)

- Si le tableau arrière est situé derrière l'hélice (les hélices), il pourrait ne pas y avoir de zone libre de turbulences. Dans ce cas, vous pourriez envisager une technique de montage différente ou un achat d'un autre type de transducteur.

- Si vous prévoyez remorquer votre bateau, ne montez pas le transducteur trop près des patins ou des galets de la remorque afin de ne pas le déplacer ou l'endommager durant le chargement ou le déchargement du bateau.

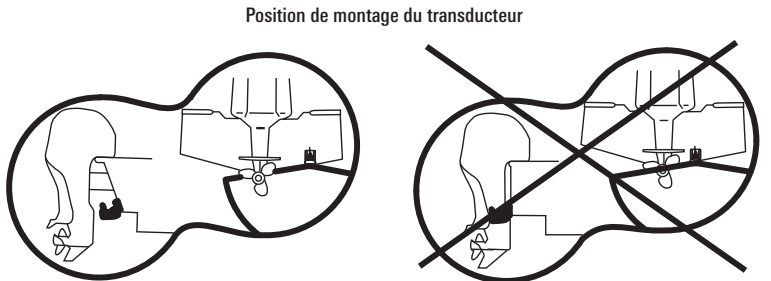
REMARQUE : *Si vous exigez une application à grande vitesse, alors que vous ne pouvez pas positionner correctement le tableau arrière sur la coque du bateau, vous devez envisager d'utiliser une autre technique de montage ou un autre type de transducteur. Vous pouvez joindre le service à la clientèle Humminbird au **1-800-633-1468** ou visiter notre site Web au **humminbird.com**.*

Le transducteur à **imagerie latérale** a certaines exigences particulières en raison de ses capacités de sondage latérales :

- Il ne doit y avoir AUCUN obstacle obstruant les faisceaux latéraux, c'est-à-dire que rien ne doit se trouver dans le champ d'action de ces faisceaux (pas de coque, moteur, autre transducteur, etc.) (Figure 3).

REMARQUE : *Vous pourriez avoir à incliner le moteur vers le haut et hors du champ d'action des faisceaux latéraux lorsque vous les utilisez.*

- Afin que les retours des faisceaux latéraux soient affichés correctement, le transducteur doit être monté de façon telle qu'il pointe directement vers le fond lorsque le bateau est à l'eau.



Vue dégagée : *La plaque de la prise donne au transducteur une distance sécurisée loin du moteur et de ses turbulences. L'imagerie latérale dispose d'une vue dégagée d'un côté à l'autre.*

Vue obstruée : *Le transducteur est trop proche des turbulences du moteur, et la vue d'imagerie latérale est bloquée par celui-ci. La vue n'est pas dégagée d'un côté à l'autre.*

Figure 3

REMARQUE : *La forme hydrodynamique du transducteur lui permet de pointer directement vers le bas, sans qu'il soit nécessaire de régler l'angle de relevé de varangue. (Figure 4)*



Relevé de varangue

Figure 4

2. Pour monter le support du transducteur sur le bateau

- Découpez le gabarit de montage de transducteur de ce manuel. Reportez-vous à *Gabarit de Montage Du Transducteur : XHS 9 HDS1 180 T*.

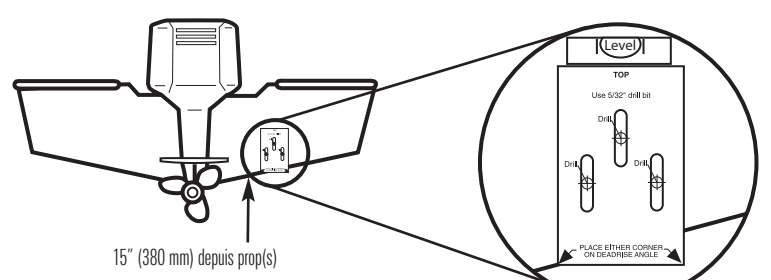


Figure 5

- Maintenez le gabarit sur le tableau arrière de votre bateau à l'endroit où vous désirez installer le transducteur. Placez le gabarit à la verticale, en alignant le bord inférieur du tableau arrière au coin inférieur du gabarit. Si l'hélice tourne dans le sens horaire lorsque le bateau avance, montez le transducteur à tribord et utilisez le coin inférieur gauche du gabarit. Si l'hélice tourne dans le sens antihoraire lorsque le bateau avance, montez le transducteur à bâbord et utilisez le coin inférieur droit du gabarit.

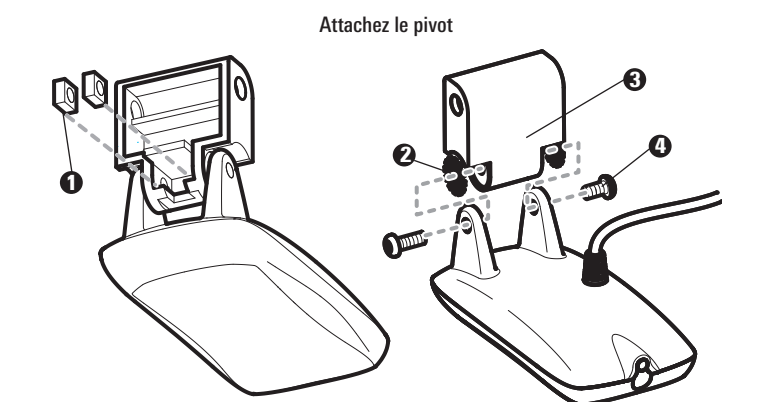
- À l'aide d'un crayon ou d'un poinçon, marquez l'emplacement des trois trous de montage sur le tableau arrière. Ne marquez ni ne percez aucun autre trou pour le moment.

- À l'aide d'un foret de 4 mm (5/32 po), percez les trois trous d'une profondeur approximative de 25 mm (1 po). Pour les coques en fibre de verre, il vaut mieux commencer avec un foret d'un diamètre plus petit et utiliser des forets d'un diamètre plus grand par la suite afin de réduire les chances d'écailler le revêtement extérieur. Servez-vous d'un agent d'étañchéité à base de silicone de qualité marine pour remplir les trous percés.

- Alignez le support de montage métallique avec les trous de montage. La fente du centre doit être au-dessus des deux autres fentes. (Ce support, ainsi que toute la quincaillerie fournie, est en acier inoxydable de haute qualité, pour plus de résistance et de protection contre la corrosion.) Placez les trois vis à bois à tête plate de 25 mm (1 po) dans les trous percés, mais ne les serrez pas complètement (Figure 6).

3. Procédure de fixation du pivot au transducteur

- Fixez le pivot au corps du transducteur à l'aide des deux vis de mécanique 1/4-20 x 3/4 po (19 mm), de rondelles dentelées et d'écrous à quatre pans (Figure 7). Les rondelles dentelées doivent être insérées à l'intérieur des oreilles du transducteur, entre le pivot et les oreilles. La rotation des écrous à quatre pans est contrée par la cavité à l'arrière du pivot. Une clé hexagonale de la taille appropriée pour toutes les vis 1/4-20 vous a été fournie, mais ne serrez pas complètement les vis pour l'instant.



1 Insérez les écrous à quatre pans
2 Rondelle dentelée
Pivot
Vis de mécanique

Figure 7

4. Montage du transducteur et du pivot sur le support

- Placez l'ensemble transducteur dans le support métallique, à partir du bas, puis alignez le grand trou au haut du support avec le trou du pivot.
- Insérez la goupille à tête dans les trous de pivot du support et du pivot. Vous pouvez insérer la goupille à tête d'un côté ou de l'autre du support.

- Placez la rondelle de nylon sur l'extrémité opposée de la goupille à tête. Placez la rondelle en acier inoxydable sur les filets de la vis 1/4-20 x 3/4 po (19 mm), puis insérez la vis dans l'extrémité opposée de la goupille à tête et serrez-la à la main seulement (Figure 8). La vis est enduite d'un adhésif frein-filet pour éviter qu'elle ne se desserre; vous ne devriez pas la serrez complètement avant que les réglages finaux ne soient terminés.

REMARQUE : *La position de marche du transducteur est maintenant complètement réglable. Il se pourrait que vous devez effectuer des réglages supplémentaires pour rendre l'installation plus précise après les essais à haute vitesse.*

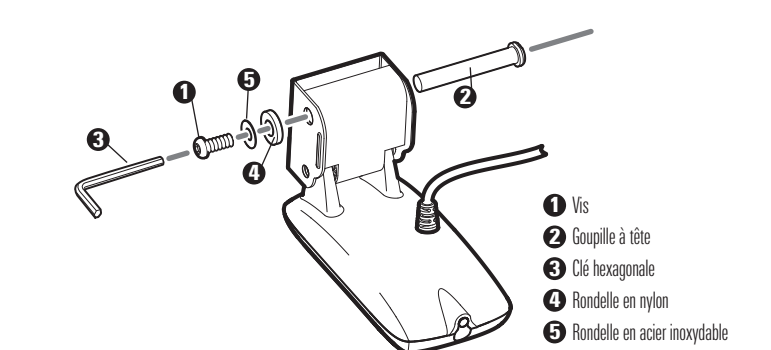


Figure 8

5. Procédure de réglage de la position de marche du transducteur

Le support de montage permet de régler la hauteur et l'inclinaison du transducteur, tandis que le boulon pivot permet d'en régler l'angle. Ces réglages aident à réduire la cavitation. Pour commencer, ajustez le transducteur tel que décrit dans les paragraphes suivants. Il se pourrait que vous deviez effectuer des réglages subséquents pour rendre l'installation plus précise après les essais à haute vitesse.

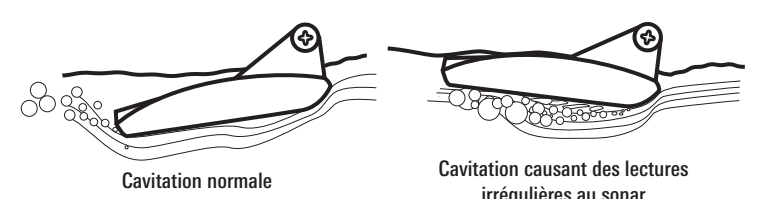


Figure 9

- Premièrement, ajustez l'angle de pivot du corps du transducteur de façon à ce qu'il soit parallèle à la coque du bateau, sur le sens de la longueur.
- Serrez complètement les deux boulons pivots à l'aide de la clé hexagonale fournie. Vous pouvez accéder aux boulons pivots par les trous inférieurs pratiqués dans le côté du support de montage. Il pourrait être nécessaire de resserrer le boulon pivot après usage initial, étant donné que le plastique peut s'ajuster à la pression des rondelles élastiques à dents.

- Réglez la hauteur de l'ensemble de façon à ce que le devant du transducteur soit situé de 3 mm (1/8 po) à 6 mm (1/4 po) sous la partie inférieure du tableau arrière, puis serrez à fond les trois vis de montage.

- Afin d'accéder aux vis de montage, vous devez faire pivoter l'ensemble transducteur dans le support vers le haut, comme c'est montré (Figure 10). Prenez garde à ne pas modifier l'angle de marche, étant donné qu'il faut forcer quelque peu pour faire pivoter l'ensemble.

- Si vous ne pouvez avoir accès par le trou de montage du haut en raison de la hauteur sélectionnée pour le transducteur, serrez à fond les deux vis du bas, retirez ensuite le boulon pivot et l'ensemble transducteur, serrez la vis du haut, puis remontez le tout.

- Assurez-vous que l'angle du pivot n'a pas été modifié et que toutes les vis de montage sont serrées à fond.

6. Acheminement du câble

Vous pouvez faire passer le câble par **dessus le tableau arrière du bateau ou à travers un trou dans le tableau ci-dessus la ligne de flottaison**. Il se peut que votre bateau soit déjà muni d'une canalisation ou conduite de câblage, que vous pourriez utiliser pour acheminer le câble du transducteur. Sélectionnez la méthode de routage qui est le mieux pour la configuration de votre bateau, et acheter de câbles d'extension, des serre-câbles, pinces, etc, si nécessaire.

Aussi, gardez à l'esprit ce qui suit:

- Il vaut mieux acheminer le câble à côté du transducteur afin que le transducteur ne l'endommage pas lors du déplacement du bateau.

- Le transducteur peut pivoter d'un angle maximal de 90 degrés sur le support. Laissez assez de mou dans le câble pour accommoder ce mouvement.

- Si vous percez des trous, les remplir avec du mastic silicone de qualité marine.

MISE EN GARDE ! *Ne coupez pas le câble du transducteur pour le raccourcir et essayez de ne pas endommager le revêtement isolateur du câble. Gardez le câble le plus à l'écart possible de tout câble d'antenne de radio VHF ou de câble de tachymètre, afin de limiter les possibilités d'interférence. Si le câble du transducteur est trop court, vous pouvez vous procurer des rallonges pour le prolonger jusqu'à une longueur totale de 15 m (50 pi). Pour obtenir de l'aide, vistez notre site Web à **humminbird.com** ou communiquez avec le service à la clientèle au **1-800-633-1468**.*

MISE EN GARDE ! *Ne montez PAS les câbles dans un endroit où les connecteurs pourraient être submergés. Si les câbles sont installés dans une zone où des éclaboussures sont possibles, il est préférable d'appliquer de la graisse diélectrique sur l'intérieur des connecteurs pour éviter la corrosion. Vous pouvez acheter la graisse diélectrique séparément dans une quincaillerie ou un magasin d'équipement automobile.*

Câble excédentaire : Si le câble est un peu long et que vous devez ranger l'excédent quelque part, placez le câble que vous aurez tiré des deux directions de façon à ne former qu'une seule boucle. Doublez le câble à partir de ce point et enroulez-le en spirale. Le fait de ranger l'excès de câble de cette manière peut contribuer à réduire les interférences électroniques. (Figure 12)

7. Branchement du câble

- Branchez le câble de la sonde au port de transducteur sur la tête de commande. Consultez votre commande guide d'installation de la tête pour plus de détails.

8. Essais et fin de l'installation

Lorsque vous avez terminé l'installation de la tête de commande et du transducteur et que vous avez acheminé tous les câbles, vous devez effectuer des essais avant de bloquer le transducteur en position. Essais doivent être effectués bateau dans les eaux profondes de 60 cm (2 pi) ou plus. Le transducteur doit être complètement immergée car le signal sonar ne peut pas passer à travers l'air.

- Appuyez sur la touche Mise en marche (POWER) une fois pour mettre la tête de commande en marche. Si l'appareil ne se met pas en marche, vérifiez toutes les connexions des câbles d'alimentation et que le circuit est alimenté.

- Lorsque l'écran titre apparaît à l'écran, appuyez sur la touche MENU.

- Appuyez sur la touche curseur vers le haut pour choisir Normal. Appuyez sur la touche curseur de DROITE pour lancer le mode Normal.

- Appuyez sur la touche de vue jusqu'à une vue du sondeur est affiché à l'écran. Si le fond et un indicateur numérique de la profondeur sont visibles à l'écran, c'est que l'appareil fonctionne adéquatement.

- Si l'appareil fonctionne correctement, augmentez progressivement la vitesse du bateau pour tester le rendement à grande vitesse. Si l'appareil fonctionne adéquatement à basse vitesse mais que la représentation du fond devient erratique à vitesse plus élevée, il faut ajuster la position du transducteur.

- Si l'angle du transducteur est bien réglé, mais que vous perdez la lecture du fond à grande vitesse, ajustez la hauteur et l'angle de marche progressivement afin d'obtenir la meilleure position de transducteur pour votre bateau. En premier lieu, ajustez graduellement la hauteur.

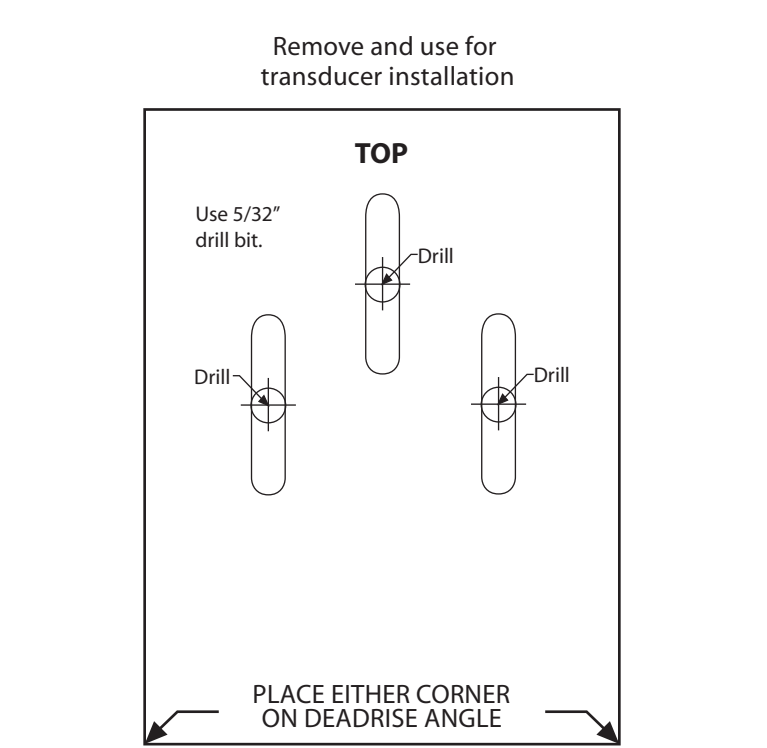
REMARQUE : *Plus le transducteur est submergé profondément dans l'eau, plus grande est la probabilité qu'il laisse un sillage important à grande vitesse. Assurez-vous que le transducteur se situe aussi haut que possible, tout en restant submergé, pour réduire cet effet.*

- Si vous décidez de changer la position du transducteur, retracez au préalable la position du support de montage.

REMARQUE : *Il est souvent nécessaire d'effectuer plusieurs réglages incrémentaux du transducteur avant d'obtenir le meilleur rendement à grande vitesse. Toutefois, en raison de la grande variété de coques de bateaux, il n'est pas toujours possible d'obtenir de bonnes lectures du fond à grande vitesse.*

- Lorsque vous aurez réussi à obtenir régulièrement de bons retours sonar aux vitesses désirées, vous serez prêt à bloquer les réglages du transducteur. Marquez au crayon l'emplacement du support du transducteur sur le tableau arrière, puis soulevez le support pour découvrir les vis de montage. Serrez les vis du support de montage en acier inoxydable pour le fixer en place. **Serrez à la main seulement!**

Gabarit de montage du transducteur : XHS 9 HDS1 180 T



Remove and use for transducer installation

Use 5/32" drill bit

Drill

Drill

Drill

PLACE EITHER CORNER ON DEADRISE ANGLE

AVERTISSEMENT ! *La réparation et/ou le démontage de cet appareil électronique doit être effectué uniquement par un personnel d'entretien autorisé. Toute modification du numéro de série et/ou réparation par un personnel non autorisé entraînera l'annulation de la garantie.*

AVERTISSEMENT ! *Ce produit contient des produits chimiques reconnus par l'état de la Californie comme pouvant causer le cancer et des défauts de naissance, ou d'autres toxicités reproductives.*

DÉCLARATION DE CONFORMITÉ AVEC L'ENVIRONNEMENT : *Johnson Outdoors Marine Electronics, Inc. entend agir en de façon responsable, et respecter la réglementation environnementales connues et applicables et la politique de bon voisinage des communautés où elle fabrique et vend ses produits.*

DIRECTIVE DEEE : *La directive EU 2002/96/CE sur les « déchets d'équipements électriques et électroniques (DEEE) » concerne la plupart des distributeurs, vendeurs et fabricants d'équipements électroniques grand public dans l'Union européenne. La directive DEEE requiert que le producteur d'équipements électroniques grand public prenne en charge la gestion des déchets de leurs produits et mettent en œuvre leur élimination en respectant l'environnement, pendant le cycle de vie du produit.*

Il est possible que la conformité à la directive DEEE ne soit pas requise sur le site pour les équipements électriques et électroniques (EEE), ou pour les équipements EEE conçus et destinés à des installations temporaires ou fixes sur les véhicules de transport tels que les automobiles, les aéronefs ou les bateaux. Dans certains pays membres de l'Union européenne, ces véhicules n'entrent pas dans le domaine d'application de la directive, et les EEE pour ces applications peuvent être considérés exclus de la conformité à la directive WEEE.

 *Ce symbole (poubelle DEEE) figurant sur le produit indique qu'il ne doit pas être mis au rebut avec les autres déchets ménagers. Il doit être éliminé et recueilli pour le recyclage et la récupération des équipements EEE à mettre au rebut. Johnson Outdoors Marine Electronics, Inc. marque tous les produits EEE conformément à la directive DEEE. Notre but est de respecter les directives sur la collecte, le traitement, la récupération et la mise au rebut de ces produits en respectant l'environnement ; ces exigences varient toutefois d'un état membre à l'autre de l'Union européenne. Pour obtenir d'autres renseignements sur les sites d'élimination des déchets d'équipements en vue de leur recyclage et de leur récupération et/ou sur les exigences des états membres de l'Union européenne, renseignez-vous auprès du distributeur ou du lieu d'achat de votre produit.*

© 2015 Johnson Outdoors Marine Electronics, Inc. Tous droits réservés.

POUR COMMUNIQUER AVEC HUMMINBIRD

Voici par quels moyens vous pouvez communiquer avec le service à la clientèle Humminbird:

site Web :
humminbird.com

Courrier électronique :
service@humminbird.com

Téléphone :
1-800-633-1468

Adresse d'expédition directe :
Humminbird
Service Department
678 Humminbird Lane
Eufaula, AL 36027 USA

Heures de fonctionnement :
du lundi au vendredi
de 8 h à 16 h 30 (heure normale du Centre)

