

tbs electronics

THE POWER OF QUALITY

Programmable DC to DC battery chargers

Omnicharge DC

OCD 12/12-50 (12V/50A)

OCD 12/24-30 (24V/30A)

- EN** Owner's manual
- NL** Gebruiksaanwijzing
- DE** Bedienerhandbuch
- FR** Mode d'emploi
- ES** Manual del propietario

TBS ELECTRONICS BV
De Marowijne 3, 1689AR, Zwaag, The Netherlands

tbs-electronics.com

Notice of Copyright

Omnicharge DC 30-50A DC to DC battery charger owner's manual © 2020 TBS Electronics BV. All rights reserved. No part of this document may be reproduced in any form or disclosed to third parties without the express written permission of TBS Electronics BV, De Marowijne 3, 1689AR, Zwaag, The Netherlands. TBS Electronics BV reserves the right to revise this document and to periodically make changes to the content hereof without obligation or organization of such revisions or changes, unless required to do so by prior arrangement.

Exclusions for documentation and product usage

UNLESS SPECIFICALLY AGREED TO IN WRITING, TBS ELECTRONICS BV ("TBS") :

1. MAKES NO WARRANTY AS TO THE ACCURACY, SUFFICIENCY OR SUITABILITY OF ANY TECHNICAL OR OTHER INFORMATION PROVIDED IN ITS MANUALS OR OTHER DOCUMENTATION
2. ASSUMES NO RESPONSIBILITY OR LIABILITY FOR LOSSES, DAMAGES, COSTS OR EXPENSES, WHETHER SPECIAL, DIRECT, INDIRECT, CONSEQUENTIAL OR INCIDENTAL, WHICH MIGHT ARISE OUT OF THE USE OF SUCH INFORMATION. THE USE OF ANY SUCH INFORMATION WILL BE ENTIRELY AT THE USER'S RISK
3. REMINDS YOU THAT IF THIS MANUAL IS IN ANY LANGUAGE OTHER THAN ENGLISH OR DUTCH, ALTHOUGH STEPS HAVE BEEN TAKEN TO MAINTAIN THE ACCURACY OF THE TRANSLATION, THE ACCURACY CANNOT BE GUARANTEED.
4. MAKES NO WARRANTY, EITHER EXPRESSED OR IMPLIED, INCLUDING BUT NOT LIMITED TO ANY IMPLIED WARRANTIES OF MERCHANTABILITY OR FITNESS FOR A PARTICULAR PURPOSE, REGARDING THESE TBS PRODUCTS AND MAKES SUCH TBS PRODUCTS AVAILABLE SOLELY ON AN "AS IS" BASIS.
5. SHALL IN NO EVENT BE LIABLE TO ANYONE FOR SPECIAL, COLLATERAL, INCIDENTAL, OR CONSEQUENTIAL DAMAGES IN CONNECTION WITH OR ARISING OUT OF PURCHASE OR USE OF THESE TBS PRODUCTS. THE SOLE AND EXCLUSIVE LIABILITY TO TBS, REGARDLESS OF THE FORM OF ACTION, SHALL NOT EXCEED THE PURCHASE PRICE OF THE TBS PRODUCTS DESCRIBED HERE IN.

Document name, date and part number

"OCD 30-50 Manual Rev2endfs", May 2020, webversion

EN	English	Page 4
NL	Nederlands	Pagina 21
DE	Deutsch	Seite 37
FR	Français	Page 56
ES	Español	Página 72

TABLE OF CONTENTS

1. INTRODUCTION	5
1.1 Intended product use	5
1.2 Important safety information	5
2. INSTALLATION	7
2.1 Unpacking	7
2.2 Mounting	7
2.3 Wiring details	8
3. GENERAL FUNCTIONALITY	13
3.1 The charging process	13
3.2 Charger operation using the main On/Off control input	14
3.3 Charger operation without using the main On/Off control input	14
3.4 LED indicators	15
4. TROUBLESHOOTING GUIDELINE	16
5. TECHNICAL SPECIFICATIONS	18
6. WARRANTY CONDITIONS	19
7. DECLARATION OF CONFORMITY	20

1. INTRODUCTION

Thank you for purchasing a TBS Electronics (TBS) Omnicharge DC to DC battery charger. Please read this owner's manual for information about using the product correctly and safely. Keep this owner's manual and all other included documentation close to the product for future reference. For the most recent manual revision, please check the downloads section on our website.

The purpose of this owner's manual is to provide explanations and procedures for installing, configuring and operating the battery charger. The installation instructions are intended for installers that should have knowledge and experience in installing electrical equipment, knowledge of the applicable installation codes, and awareness of the hazards involved in performing electrical work and how to reduce those hazards.

1.1 Intended product use

The Omnicharge DC battery chargers are primarily intended to charge an auxiliary or service battery from a vehicle starter battery. The input battery voltage can be above, below or equal to the output battery voltage. An Omnicharge DC charger allows the auxiliary battery to be perfectly charged regardless of the input voltage, while being protected against damage due to peak voltages.

The Omnicharge DC battery chargers are compatible with vehicles that are equipped with variable output smart alternators (EUR 6+). The Omnicharge DC can start charging based on a programmable input voltage range only, or in combination with an engine run signal. There is also a separate (BMS-) control input available that enables external control for charger-on and -standby.

1.2 Important safety information

This section contains important safety information for the Omnicharge DC battery charger. Each time, before using the Omnicharge DC battery charger, READ ALL instructions and cautionary markings on or provided with the battery charger, and all appropriate sections of this guide. This battery charger contains no user serviceable parts. Opening up the battery charger will void product warranty.



WARNING

FIRE AND/OR CHEMICAL BURN HAZARD

Do not cover or obstruct any air vent openings and/or install in a zero clearance compartment.



WARNING

SHOCK HAZARD. KEEP AWAY FROM CHILDREN!

Avoid moisture ingress. Never expose the unit to snow, water, etc.



WARNING

FAILURE TO FOLLOW THESE INSTRUCTIONS CAN RESULT IN DEATH OR SERIOUS INJURY:

1. When working with electrical equipment or lead acid batteries, have someone nearby in case of an emergency.
2. Study and follow all the battery manufacturer's specific precautions when installing, using and servicing the battery connected to the charger.
3. Wear eye protection and gloves.
4. Avoid touching your eyes while using this unit.
5. Keep fresh water and soap on hand in the event battery acid comes in contact with eyes. If this occurs, clean right away with soap and water for a minimum of 15 minutes and seek medical attention.
6. Batteries produce explosive gases. DO NOT smoke or have an open spark or fire near the system.
7. Never attempt to re-charge a damaged, frozen or non-rechargeable battery.
8. Keep unit away from moist or damp areas.
9. Avoid dropping any metal tool or object on the battery. Doing so could create a spark or short circuit which goes through the battery or another electrical tool that may create an explosion.
10. There are no user serviceable parts inside in the charger's enclosure.



WARNING

EXPLOSION HAZARD!

Do not use the battery charger in the vicinity of flammable fumes or gases.



CAUTION

LIMITATIONS OF USE

Do not use in connection with life support systems or other medical equipment or devices.

This battery charger is not to be used by persons with reduced physical or mental capabilities or lack of knowledge and experience. Not to be operated or used by children.

2. INSTALLATION

2.1 Unpacking

The charger package should contain the following items :

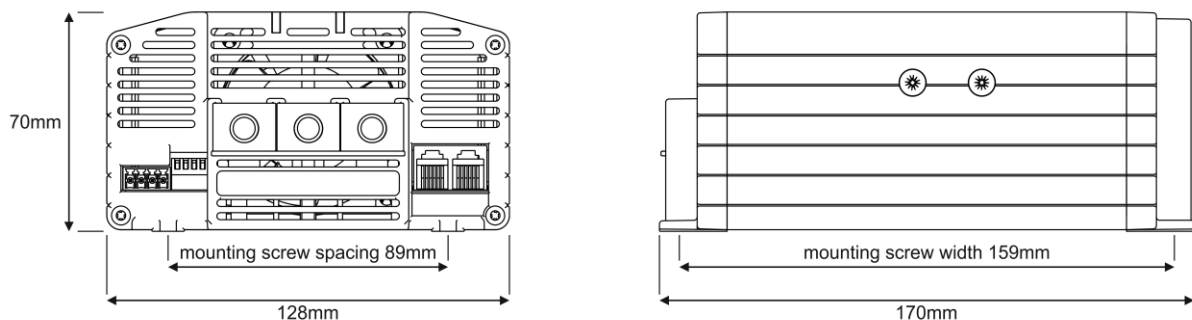
- Battery charger
- 3x rubber cable grommets
- Battery temperature sensor (3m)
- Owner's manual
- 3x M6 crimp terminals

CAUTION

After unpacking, check if the product shows any mechanical damage. Never use the product when the enclosure shows any visual damage caused by harsh handling, or when it has been dropped accidentally. Contact your local supplier for further information.

2.2 Mounting

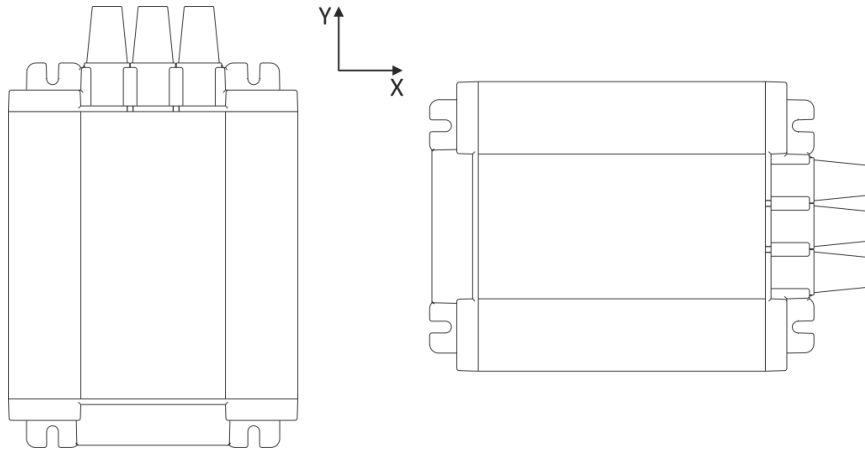
Please see the image below for the product dimensions and mounting screw distances.



Further location and mounting details:

1. Choose an appropriate mounting location in a well ventilated room that is protected against rain, snow, spray, vapour, moisture and dust.
2. Make sure that the ambient temperature is between -20°C and +60°C. Above +40°C the charge will automatically derate the output power.
3. Do not expose the charger to any heat source (such as direct sunlight or heating). Avoid additional heating of the product. Also avoid charger exposure to excessive vibration.
4. Never install the charger in an environment where there is danger of gas or dust explosions, like in the same compartment as the batteries or directly above vented batteries.
5. When installing the charger horizontally (floor-mounting), any mounting direction is

acceptable. When installing vertically, please observe the following preferred enclosure orientations:



6. Use the base of the charger as a mounting template to mark the positions of the fixing screws.

! CAUTION

Keep a clear space of at least 10 cm around this product for cooling purposes!

2.3 Wiring details

⚡ WARNING

For user safety during installation, please make sure that the output of the supplying source is switched off (temporary remove fuses from the fuseholders) and that no consumers are connected to the batteries.

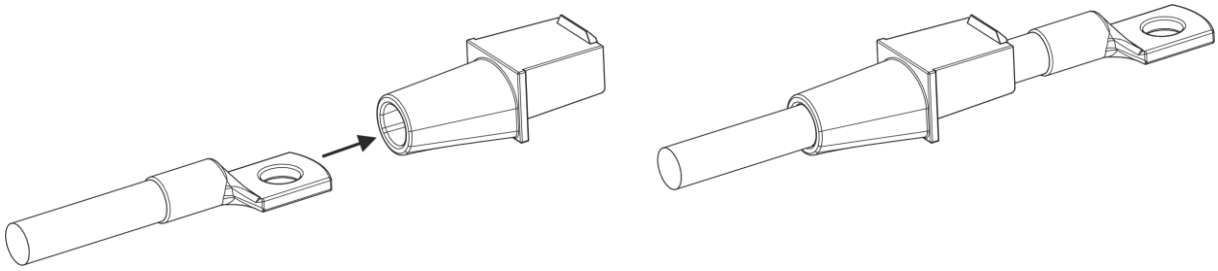
! CAUTION

Please double check if the battery voltages match the specifications of the used charger model.

! CAUTION

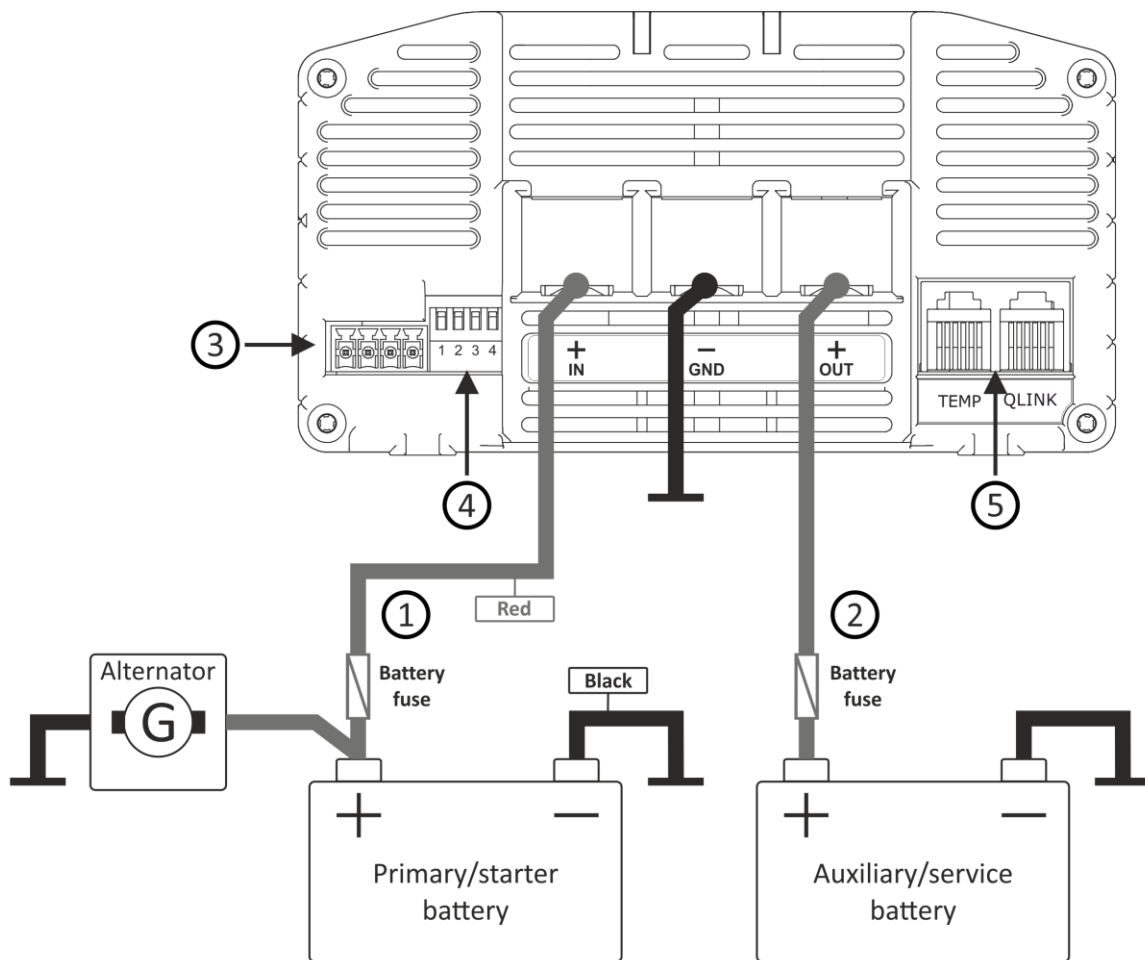
Always connect ground (- GND) first followed by the service (+ OUT) battery and lastly the starter (+ IN) battery.

Before connecting the main DC cables, make sure to slide the included rubber grommets over these cables like shown in the next image.



When the DC cables are connected to the charger, the rubber grommets can be slid towards the charger's front panel until the screw connections are completely covered.

Please see the image below for further wiring details.



⚠ CAUTION

Double check for correct polarity, before connecting the battery cables to the battery! Wrong polarity will blow an internal fuse and the charger must be returned for service.

Always keep positive and negative cables close to each other to minimize electromagnetic fields.

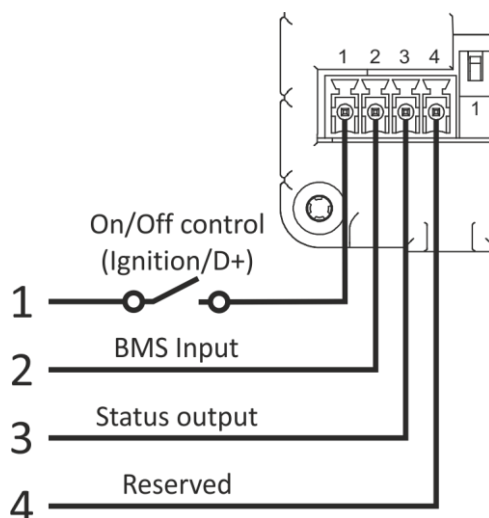
- ① Please consult the following table to determine the correct input battery cable- and fuse size for each model. Using a smaller cable size will cause additional losses and may result in improperly charged batteries. Fire and burning hazards are present if the battery cables are insufficiently sized for the expected current. Always keep the cable length as short as possible!

Model	Minimum Cable size	Recommended Cable size	Battery fuse (quick type)
OCD 12/12-50	16mm ² (AWG6)	25mm ² (AWG4)	70-90Amp
OCD 12/24-30	16mm ² (AWG6)	25mm ² (AWG4)	70-90Amp

- ② Please consult the following table to determine the correct output battery cable- and fuse size for each model. Using a smaller cable size will cause additional losses and may result in improperly charged batteries. Fire and burning hazards are present if the battery cables are insufficiently sized for the expected current. Always keep the cable length as short as possible!

Model	Minimum Cable size	Recommended Cable size	Battery fuse (quick type)
OCD 12/12-50	16mm ² (AWG6)	25mm ² (AWG4)	60-80Amp
OCD 12/24-30	10mm ² (AWG8)	16mm ² (AWG6)	40-50Amp

- ③ Please see the image below for the control wire connection locations.



Connection 1 is the main On/Off control input and can only be used when DIP switch 4 is set to off. This input can be used to enable or disable the charger and is 'active high'. When a voltage higher than 2V is applied to this input, the charger turns on. When a voltage lower than 1V is applied, the charger turns off and draws zero current. The maximum input voltage is 32V. In a vehicle application it is recommended to connect

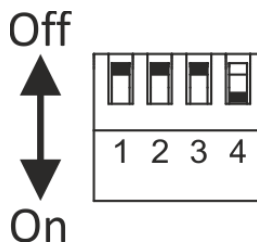
this input to the engine run signal. Contact your vehicle distributor to find out the most suitable connection.

BMS input connection 2 can be used to force the charger in standby mode. In this mode the charger stops charging, but the internal circuits stay active to immediately resume charging once allowed again. This input can be used to connect to a Lithium battery BMS in order to stop the charging process if required. By default this input is 'active low' (< 1V is On and > 3V is Stand by), but this can be changed to 'active high' as well by the TBS Dashboard or Dashboard Mobile app. The maximum input voltage is 32V.

Connection 3 is an open collector output that can be used to for example connect to a remote indicator light. The maximum switching voltage and current are respectively 32V and 150mA. By default this output is active (low) when the charger is charging OR when charging is finished. Other active conditions can be selected in the TBS Dashboard or Dashboard Mobile apps.

Connection 4 is reserved for future use and has no active functionality yet.

④ DIP switch settings



DIP switch 1 and 2 are used select the desired charge program for the connected output battery. Please see the table below:

DIP1	DIP2	Battery type / Charge program ^{1) 2)}
Off	Off	Flooded (default setting) <i>Bulk/Abs voltage = 14.4V (28.8V)</i> <i>Float voltage = 13.5V (27.0V)</i>
Off	On	GEL <i>Bulk/Abs voltage = 14.2V (28.4V)</i> <i>Float voltage = 13.5V (27.0V)</i>
On	Off	AGM <i>Bulk/Abs voltage = 14.7V (29.4V)</i> <i>Float voltage = 13.6V (27.2V)</i>
On	On	LiFePo4 <i>Bulk/Abs voltage = 14.4V (28.8V)</i> <i>Float voltage = 13.8V (27.6V)</i>

¹⁾ Charge voltage value between brackets are for OCD 12/24-30 model

²⁾ All standard charge voltage values are configurable using the TBS Dashboard and Dashboard Mobile apps.

DIP switch 3 is reserved for future use (default off)

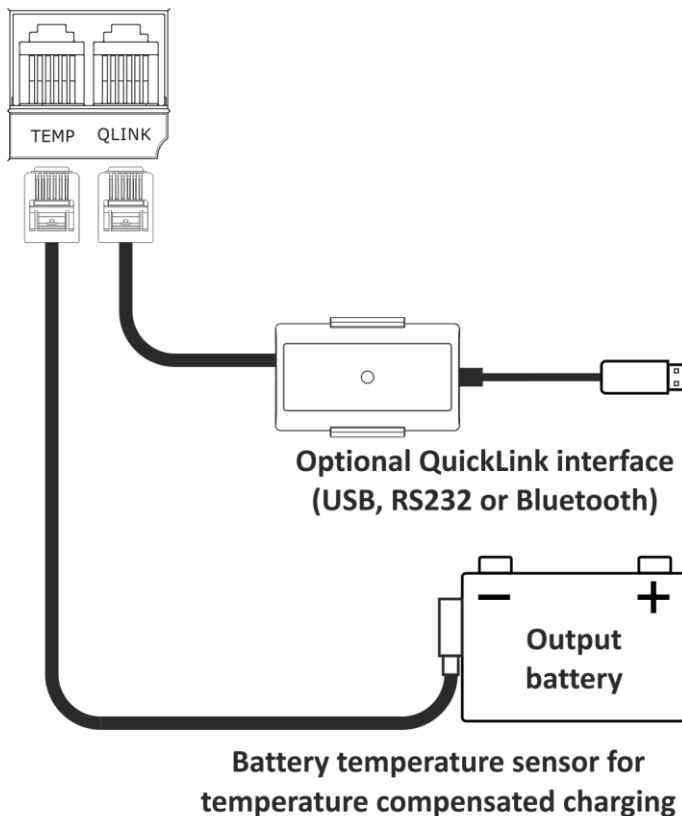
DIP switch 4 can be used to bypass the On/Off control input

(see point 3 above). When this DIP switch is set to On (default setting), the On/Off control input is bypassed and the charger will always operate, independent of the status at the control input. When this DIP switch is set to Off, the charger is controlled by the On/Off control input. This setting is recommended for vehicle applications with a proper engine run signal.

⚠ CAUTION

Invalid battery type settings can cause serious damage to your batteries and/or connected battery loads. Always consult your battery's documentation for the correct charge voltage settings.

⑤ The remaining connection options are shown below



The optional QuickLink communication Kits allow the charger to be programmed and monitored using the TBS Dashboard software on PC (via USB or RS232) or the Dashboard Mobile app on iOS and Android platforms (via Bluetooth).

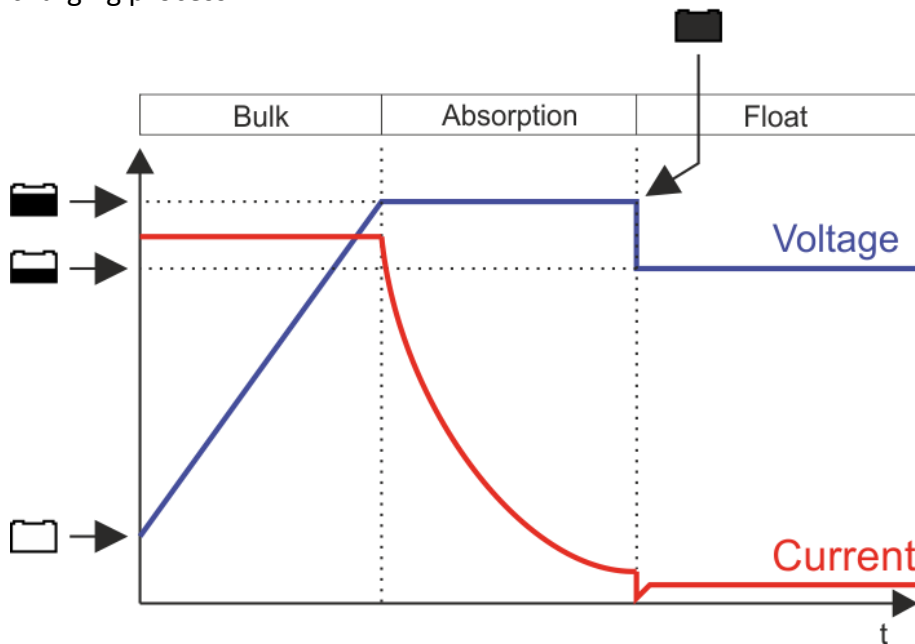
Always connect the battery temperature sensor to the battery that is being charged (output battery). The charger automatically compensates the charge voltages against battery temperature. This means that the charge voltages are slightly increased at lower temperatures and decreased at higher temperatures (-30mV/°C at 12V chargers and -60mV/°C at 24V chargers). This way, overcharging is prevented which prolongs your battery's lifetime. When the LiFePo4 charge program is selected, the charge

voltages are not compensated against temperature. However, the temperature sensor is still used to prevent charging the lithium battery when the temperature has dropped below 0°C.

3. GENERAL FUNCTIONALITY

3.1 The charging process

All selectable charge programs, perform a three stage IUoUo charging process comprising of a “Bulk”, an “Absorption”, and a “Float” stage. The image below visualizes the three stage charging process:



When charger is turned on, it will start in the Bulk stage. In this stage the charger delivers full output current and typically returns approximately 80% of charge back into the battery once the absorption voltage is reached. When this voltage has been reached, the Absorption stage will be entered. This stage will return the final 20% of charge to the battery. The output voltage is kept at a constant level and the charge current decreases as a function of the battery's state of charge. When the charge current has dropped below a certain value, the Float stage will be entered. For lithium batteries, more than 80% of charge has been returned to the battery already. So for this chemistry the Absorption stage will be relatively short.

In the Float stage the battery voltage will be held constant at a safe level for the battery. It will maintain the battery in optimal condition for as long as the battery remains connected to the activated charger. Connected battery loads will be directly powered by the charger up to the charger's maximum output current level.


3.2 Charger operation using the main On/Off control input

In order to activate the charger, a positive (high) signal must be applied to the main On/Off control input while DIP switch 4 must be in the Off position. In a vehicle application, this is typically the engine run signal. After a short delay of a few seconds, the charger will normally start the charging process. There is however a second condition that must be met before the charger starts the charging process and this is the input voltage level. The input battery voltage must be above a certain level in order to allow the output battery to be charged. Additionally, this condition must also be met for a preset amount of time. Please see the table below showing all factory default voltage and time delay values that are stored inside the Omnicharge DC charger:

Parameter ¹⁾	Default value OCD 12/12-50	Default value OCD 12/24-30
Turn on input voltage	> 12.5V	> 12.5V
Delay	10 sec	10 sec
Turn off input voltage (slow)	< 12.4V	< 12.4V
Delay	3 min	3 min
Turn off input voltage (fast)	< 12.0V	< 12.0V
Delay	1 sec	1 sec

¹⁾ All parameters are configurable using the TBS Dashboard and Dashboard Mobile apps

As can be seen in the above table, there are two low input voltage turn off levels. The 'slow' off level is allowed to be exceeded for a longer time than the 'fast' off level. This results in a stable charge process while still avoiding a too deeply discharged input battery.

 CAUTION
If the main On/Off control input is connected to the ignition- instead of an engine running signal, while the turn off input voltage levels are set to relatively low values, please make sure to start the engine in a timely manner to avoid discharging the starter battery too much.

3.3 Charger operation without using the main On/Off control input

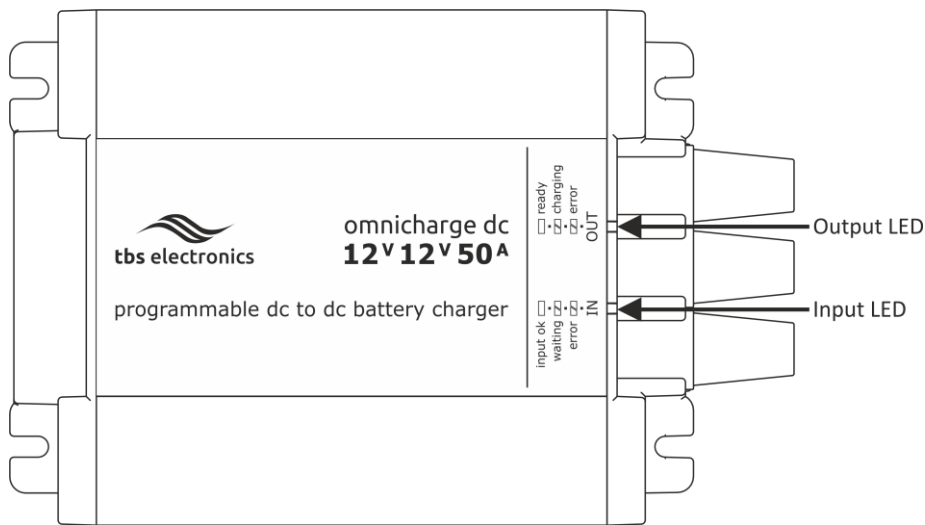
When there is no engine run signal available or when the charger must always remain activated, DIP switch 4 must be set to ON. In this mode however, the input voltage requirements as shown in the table of chapter 3.2 still applies. So the charger will only start charging when these requirements are met.

⚠ CAUTION

Please be aware that in this always on mode, the charger will continue to draw a small current (< 35mA) from the input battery, even when the turn on input voltage condition has not been met. This could result in a discharged input battery if allowed for an extended amount of time.

3.4 LED indicators

The Omnicharge DC units are equipped with individual LEDs for the input- and the output side. Please see the image below for the location of these LEDs:



The table below explains all available LED conditions:

LED	Status	Explanation
Input LED	Off	Charger off
	Flashing orange	Input voltage too low or turn on delay not expired yet
	Continuous green	All input conditions are OK for charging
	Flashing red	Error (see LED error table below)
Output LED	Off	Charger off, or charging still blocked by input conditions not being met
	Flashing green	Charging in progress
	Continuous green	Charging finished (Float stage)
	Flashing red	Error (see LED error table below)

The LED error table below explains what error types are linked to what LED blinking sequences:

Input LED	Output LED	Error type
Flashing red (1 blink)		Input overvoltage
	Flashing red (1 blink)	Output overvoltage, Output undervoltage, battery temperature too low or too high
	Flashing red (2 blinks)	Output overload / short circuit
	Flashing red (3 blinks)	Charger high temperature

4. TROUBLESHOOTING GUIDELINE

Please see the table below if you experience any problems with the Omnicharge DC battery charger and/or the installation.

Problem	Possible cause	Remedy
Omnicharge DC is not working at all.	No input voltage	Check wiring and input fuse
	Input voltage is too low	Check input voltage, adjust the input voltage settings, start engine
	No positive signal on main On/Off control wire	Check wiring, fuses and status of engine run signal
	Positive signal on BMS input	Check output battery BMS status
	Very poor input battery condition	Replace battery
The battery is not being charged up to it's maximum capacity.	Incorrect absorption charge voltage setting	Check the battery type selection for correct setting. Or adjust the absorption voltage
	Incorrect charge current setting	Make sure that the maximum output current setting is at maximum level (check if allowed by battery manufacturer)
	Too much voltage loss in battery cables and/or connections	Make sure that the battery cables have a large enough diameter. Check if all DC connections are solidly made.

	Additional battery loads are consuming too much current during charging	Turn-off or disconnect all battery loads
Charge current is too low.	High ambient temperature	Try to lower the ambient temperature around the charger
	Charger is operating in the absorption charging stage.	Do nothing. The battery is almost fully charged and consumes less current by itself.
Charge voltage is too low.	The charge voltage is being compensated by the battery temperature sensor to protect the battery.	Do nothing or try to cool down the ambient temperature around the battery.
	Wrong battery type selected, or charge voltage needs to be adjusted	Select the correct battery type or adjust the charge voltage in the setup menu
	DC cables too thin	Install larger DC cables. See the DC cable size table in chapter 2.3.
	Battery load current is higher than the charger's output current.	Reduce or remove the battery load.
LEDs blink red	Error detected	Check LED error table in chapter 3.4

If none of the above remedies will help solving the problem you encounter, it's best to contact your local TBS distributor for further help and/or possible repair of your Omnicharge DC unit. Do not disassemble the charger yourselves as this will void your warranty.

5. TECHNICAL SPECIFICATIONS

Parameter	OCD 12/12-50	OCD 12/24-30
Nominal input voltage	12Vdc	
Input voltage range	10.0 – 16.0Vdc	
Maximum input current	65A _{dc}	
Current consumption (inactive)	< 0.25mA	
Current consumption (noload/standby)	< 35mA	< 45mA
Nominal output voltage	12Vdc	24Vdc
Output voltage range	12.0 – 16.0Vdc	24.0 – 32.0Vdc
Maximum output current ¹⁾	50A	30A
Charge characteristic	IUoUo, intelligent 3-stage, temp. Compensated	
Supported battery types ²⁾	Flooded / Gel / AGM / LiFePO4	
Operating temperature range	-20°C ... +60°C	
Storage temperature range	-30°C ... +70°C	
Cooling	Variable speed fan	
Communication port	QuickLink	
Temperature sensor port	Yes (sensor included)	
Engine run / activate input port	Yes (> 2.0Vdc = Active and < 1.0Vdc = Inactive)	
BMS input port	Yes (> 3.0Vdc = Standby and < 1.0Vdc = Active)	
Status output port	Yes (open drain, 32Vdc / 150mA max, five assignable status types)	
Protections	High/low input voltage, high temperature, output short circuit and reverse battery polarity (input + output)	
Indications	Input status, output (charge-) status, error	
Battery connections	3x M6 screw terminal	
Enclosure body size (HxWxD)	70 x 128 x 170mm	
Total weight	1.2kg	
Protection class	IP21	
Standards	EMC: 2014/30/EU, Low voltage directive: 2014/35/EU, RoHS: 2011/65/EU, Automotive: EN50498 („E“ pending)	

Note : the given specifications are subject to change without notice.

¹⁾ Maximum output current tolerance is +/-10%. Automatic output current derating at Tambient > 40°C.

²⁾ Selectable by DIP switch. All standard charge voltages can also be modified by the TBS Dashboard application.



Please act according to your local rules and do not dispose of your old products with your normal household waste. The correct disposal of your old product will help prevent potential negative consequences for the environment and human health.

6. WARRANTY CONDITIONS

TBS Electronics (TBS) warrants this product to be free from defects in workmanship or materials for 24 months from the date of purchase. During this period TBS will repair the defective product free of charge. TBS is not responsible for any costs of the transport of this product.

This warranty is void if the product has suffered any physical damage or alteration, either internally or externally, and does not cover damage arising from improper use, or from use in an unsuitable environment.

This warranty will not apply where the product has been misused, neglected, improperly installed or repaired by anyone other than TBS. TBS is not responsible for any loss, damage or costs arising from improper use, use in an unsuitable environment, improper installing of the product and product malfunctioning.

Since TBS cannot control the use and installation (according to local regulations) of their products, the customer is always responsible for the actual use of these products. TBS products are not designed for use as critical components in life support devices or systems, that can potentially harm humans and/or the environment. The customer is always responsible when implementing TBS products in these kind of applications. TBS does not accept any responsibility for any violation of patents or other rights of third parties, resulting from the use of the TBS product. TBS keeps the right to change product specifications without previous notice.

Examples of improper use are :

- Too high input voltage applied
- Reverse connection of battery polarity
- Connecting wrong batteries (too high battery voltages)
- Mechanical stressed enclosure or internals due to harsh handling or incorrect packaging
- Contact with any liquids or oxidation caused by condensation

7. DECLARATION OF CONFORMITY

MANUFACTURER : TBS Electronics BV
ADDRESS : De Marowijne 3
1689 AR Zwaag
The Netherlands

Declares that the following products :

PRODUCT TYPE : Professional programmable dc to dc battery charger
MODELS : OCD 12/12-50, OCD 12/24-30

Conforms to the requirements of the following Directives of the European Union :

EMC Directive 2014/30/EU
Low voltage Directive 2014/35/EU
Automotive Directive 2004/108/EC
RoHS Directive 2011/65/EU

The above product is in conformity with the following harmonized standards :

EMC : EN55014-1, EN55014-2, EN 61000-4-2(3/4/5/6), EN50498
Safety : EN60335-1, EN60335-2-29

INHOUDSOPGAVE

1. INLEIDING	22
1.1 Beoogd productgebruik.....	22
1.2 Belangrijke veiligheidsinformatie	22
2. INSTALLATIE.....	24
2.1 Uitpakken.....	24
2.2 Montage	24
2.3 Bedradingsinformatie	25
3. ALGEMENE FUNCTIONALITEIT	30
3.1 Het laadproces.....	30
3.2 Gebruik van de lader via de hoofd aan/uit-stuuringang	31
3.3 Gebruik van de lader zonder gebruik te maken van de hoofd aan/uit-stuuringang	31
3.4 LED indicatoren.....	32
4. STORINGSTABEL	33
5. TECHNISCHE SPECIFICATIES	35
6. GARANTIE / AANSPRAKELIJKHEID FABRIKANT	36
7. CONFORMITEITSVERKLARING	36

1. INLEIDING

Hartelijk dank voor uw aankoop van een TBS Electronics (TBS) Omnicharge DC-DC acculader. Lees deze gebruiksaanwijzing voor informatie over een juist en veilig gebruik van het product. Bewaar deze gebruiksaanwijzing en alle andere meegeleverde documentatie in de buurt van het product voor toekomstige raadpleging. Voor de meest recente gebruiksaanwijzing kunt u altijd de downloads pagina op onze website bezoeken.

Het doel van deze gebruiksaanwijzing is om de installatie, configuratie en bediening van de Omnicharge acculader uit te leggen. Dit document is bedoeld voor installateurs welke kennis en ervaring hebben op het gebied van het installeren van elektrische apparatuur. Tevens is kennis noodzakelijk betreffende de lokaal geldende normen voor elektrische installaties en dient de installateur zich ervan bewust te zijn te werken met gevaarlijke spanningen en zeer hoge stromen.

1.1 Beoogd productgebruik

De Omnicharge DC acculaders zijn voornamelijk bedoeld om een accessoire- of service accu op te laden via een startaccu van een voertuig. Deingangsspanning kan hoger, lager of gelijk zijn aan de uitgangsspanning. Met een Omnicharge DC lader kan de service accu perfect worden opgeladen ongeacht de ingangsspanning, terwijl deze wordt beschermd tegen schade als gevolg van piekspanningen.

De Omnicharge DC acculaders zijn compatibel met voertuigen die zijn uitgerust met slimme variabele output dynamo's (EUR 6+). De Omnicharge DC kan het opladen starten op basis van alleen een programmeerbaar ingangsspanningsbereik of in combinatie met een motorloopsignaal. Er is ook een aparte (BMS-) sturingang beschikbaar die externe bediening mogelijk maakt voor het aan- of in stand-by zetten van de lader.

1.2 Belangrijke veiligheidsinformatie

Deze sectie bevat belangrijke veiligheidsinformatie voor de Omnicharge DC acculader. Lees voor het gebruik van de Omnicharge DC acculader, alle instructies en waarschuwingen op de acculader zelf en deze die zijn meegeleverd in de handleiding. De Omnicharge acculader bevat geen onderdelen die door de gebruiker gerepareerd kunnen worden. Het openen van de acculader maakt de garantie ongeldig.



WAARSCHUWING

BRANDGEVAAR EN/OF RISICO OP BRANDWONDEN.

Bedek of belemmer de luchtopeningen van de acculader niet. Installeer de acculader niet in een te krap compartiment.



WAARSCHUWING

GEVAAR VOOR SCHOKKEN. HOUD UIT DE BUURT VAN KINDEREN.

Vermijd indringing van vocht. Stel de lader nooit bloot aan sneeuw, water, etc.



WAARSCHUWING

HET NEGEREN VAN DEZE INSTRUCTIES KAN LEIDEN TOT ERNSTIG LETSEL OF DE DOOD:

1. Wanneer u werkzaamheden aan elektrische apparatuur of loodzuuraccu's uitvoert, zorg dat er een ander persoon in de buurt aanwezig is in geval van nood.
2. Bestudeer en volg alle specifieke voorzorgsmaatregelen van de accu wanneer u deze installeert, gebruikt en onderhoudt.
3. Draag oogbescherming en veiligheidshandschoenen.
4. Raak uw ogen niet aan tijdens het werken met accu's.
5. Houd vers water en zeep bij de hand in geval accuzuur met de ogen in contact komt. Als dit optreedt, was de ogen onmiddellijk gedurende minstens 15 minuten met water en zeep en raadpleeg een arts.
6. Accu's genereren explosieve gassen. Rook NIET en houd vonken of open vuur uit de buurt van het systeem.
7. Probeer nooit een beschadigde, bevroren of niet-oplaadbare accu op te laden.
8. Houd de acculader uit de buurt van een vochtige of natte omgeving.
9. Zorg dat er geen metalen gereedschap of voorwerp op de accu valt. Dit kan een vonk creëren of kortsluiting veroorzaken, wat tot een explosie kan leiden.
10. Geen enkel onderdeel binnenin de lader kan door de gebruiker worden vervangen.



WAARSCHUWING

EXPLOSIEGEVAAR!

Gebruik de acculader niet in de aanwezigheid van brandbare vloeistoffen of gassen.



OPGELET

GEBRUIKSBEPERKINGEN

Niet gebruiken in combinatie met levensondersteunende systemen of andere medische uitrustingen of apparaten.

Deze acculader mag niet worden gebruikt door personen met beperkte fysieke of mentale mogelijkheden of die een gebrek aan kennis en ervaring hebben voor de bediening van een dergelijk apparaat. Dit product mag niet worden bediend of gebruikt door kinderen.

2. INSTALLATIE

2.1 Uitpakken

De verpakking van de lader moet de volgende items bevatten:

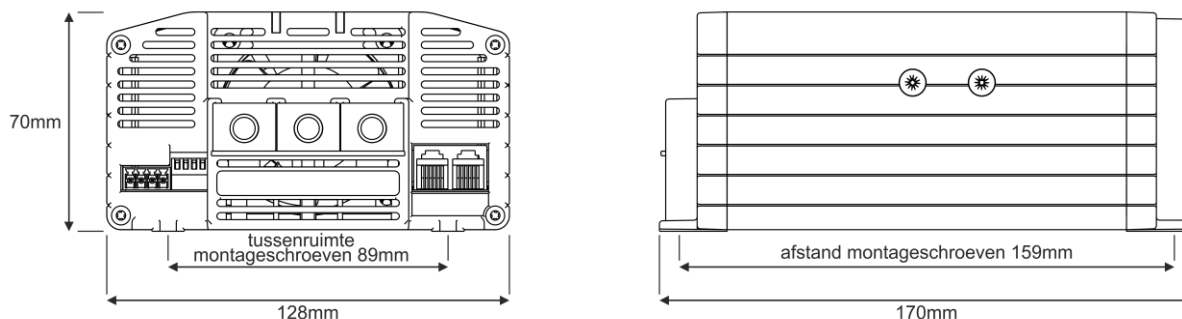
- Acculader
- 3x rubberen kabeldoorvoeren
- Temperatuursensor (3m)
- Gebruiksaanwijzing
- 3x M6 kabelschoenen

OPGELET

Na het uitpakken, het product op mechanische schade controleren. Gebruik het product nooit wanneer de behuizing visuele schade vertoont veroorzaakt door een ruwe hantering, of wanneer deze per ongeluk op de grond is gevallen. Raadpleeg uw lokale handelaar voor meer informatie.

2.2 Montage

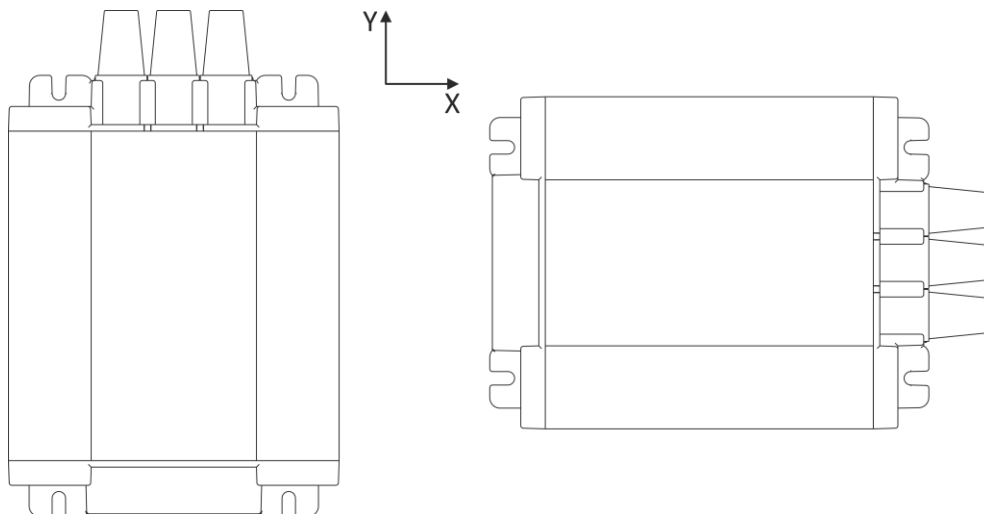
Zie de onderstaande afbeeldingen voor de gewenste montagemethode en afstanden voor de montageschroeven.



Montagedetails:

1. Kies een geschikte montageplaats in een goed geventileerde ruimte die beschermd is tegen regen, sneeuw, nevel, damp, vocht en stof.
2. Zorg ervoor dat de omgevingstemperatuur tussen -20°C en $+60^{\circ}\text{C}$ ligt. Boven $+40^{\circ}\text{C}$ vermindert de lader automatisch het uitgangsvermogen.
3. Stel de lader niet bloot aan warmtebronnen (zoals direct zonlicht of verwarming). Vermijd extra verwarming van het product. Vermijd ook blootstelling van de lader aan overmatige trillingen.
4. Installeer de lader nooit in een omgeving waar gevaar voor gas- of stofexplosies bestaat, zoals in hetzelfde compartiment als de accu's of direct boven geventileerde accu's.
5. Bij het horizontaal installeren van de lader (vloermontage) is elke montagerichting

acceptabel. Houd bij verticale installatie rekening met de volgende voorkeursbehuizingsoriëntaties:



 **OPGELET**

Houd een vrije ruimte van minstens 10 cm rond dit product voor voldoende koeling!

2.3 Bedradingsinformatie

 **WAARSCHUWING**

Zorg er voor dat tijdens de installatie de uitgang van de voedingsbron is uitgeschakeld (tijdelijk zekeringen uit de zekeringhouders verwijderen) en dat er geen verbruikers op de accu's zijn aangesloten.

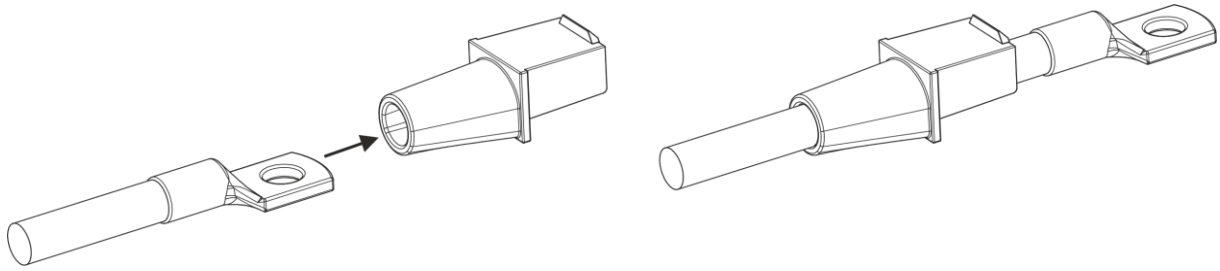
 **OPGELET**

Controleer of de accuspanningen overeenkomen met de specificaties van het gebruikte lader model.

 **OPGELET**

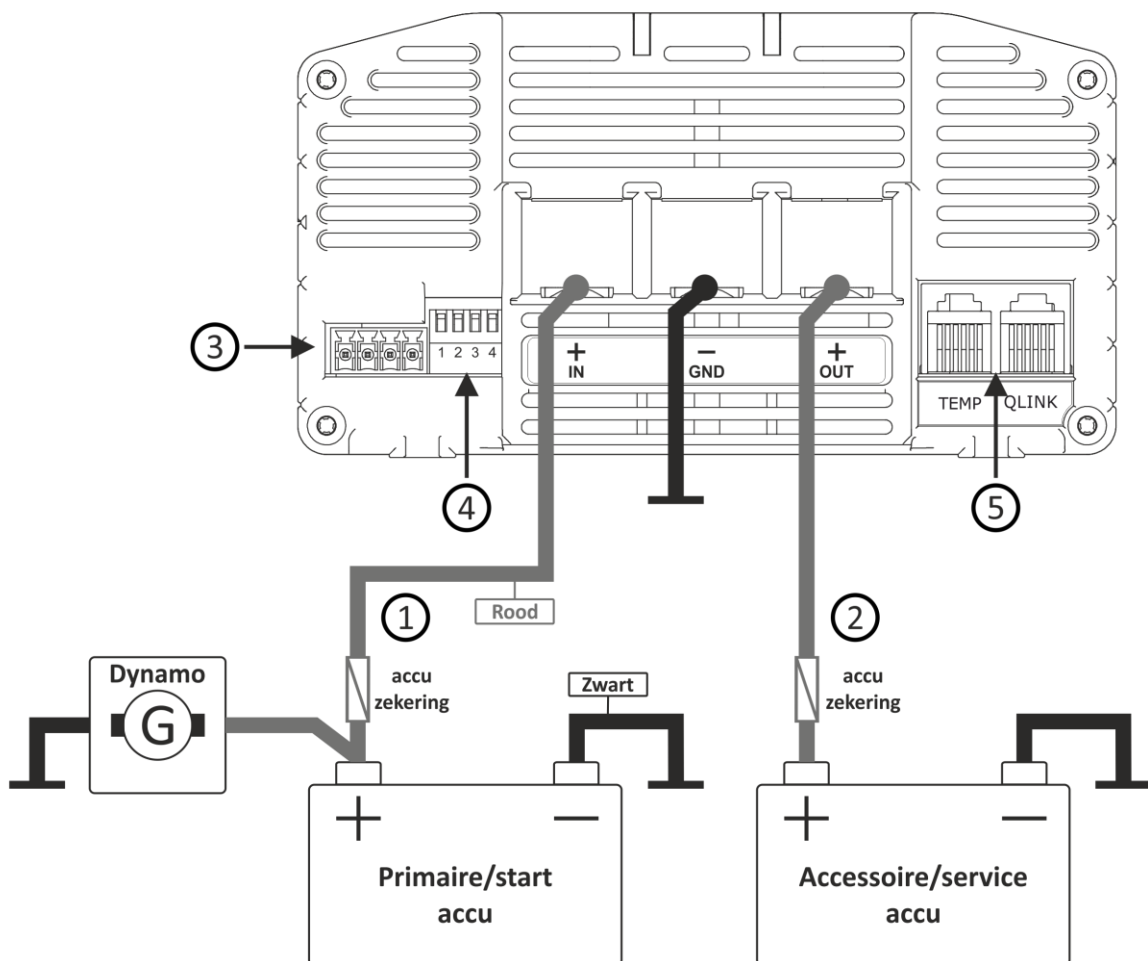
Sluit altijd eerst de aarde (- GND) aan gevolgd door de service (+ OUT) accu en tenslotte de startaccu (+ IN).

Voordat u de hoofd accukabels aansluit, moet u de meegeleverde rubberen doorvoeren over deze kabels schuiven, zoals weergegeven in de volgende afbeelding.



Wanneer de accukabels op de lader zijn aangesloten, kunnen de rubberen doorvoeren naar het frontpaneel van de lader worden geschoven totdat de schroefverbindingen volledig zijn afgedekt.

Zie onderstaande afbeelding voor nadere bedradingsdetails.



⚠ OPGELET

Controleer of de polariteit juist is voordat de accukabels met de accu worden verbonden!
 Een verkeerde polariteit kan de lader beschadigen.
 Houd de positieve en negatieve kabels altijd dicht bij elkaar om elektromagnetische velden tot een minimum te beperken.

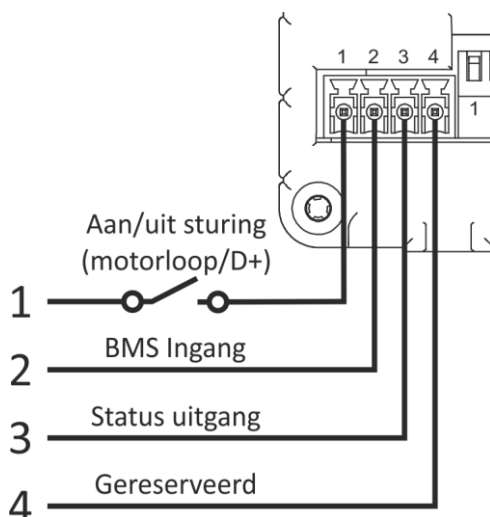
- ① Raadpleeg de volgende tabel om de juiste ingang accukabel grootte en zekering waarde voor elk model te bepalen. Het gebruiken van een kleinere kabelmaat of langere kabel zal extra verliezen veroorzaken en de accu onjuist opladen. Wanneer de accukabelmaat onvoldoende is voor de verwachte stroom, kan er brandgevaar ontstaan. Houd de lengte van de kabel altijd zo kort mogelijk!

Model	Minimum kabelmaat	Aanbevolen kabelmaat	Accuzekering (snel type)
OCD 12/12-50	16mm ² (AWG6)	25mm ² (AWG4)	70-90Amp
OCD 12/24-30	16mm ² (AWG6)	25mm ² (AWG4)	70-90Amp

- ② Raadpleeg de volgende tabel om de juiste uitgang accukabel grootte en zekering waarde voor elk model te bepalen. Het gebruiken van een kleinere kabelmaat of langere kabel zal extra verliezen veroorzaken en de accu onjuist opladen. Wanneer de accukabelmaat onvoldoende is voor de verwachte stroom, kan er brandgevaar ontstaan. Houd de lengte van de kabel altijd zo kort mogelijk!

Model	Minimum kabelmaat	Aanbevolen kabelmaat	Accuzekering (snel type)
OCD 12/12-50	16mm ² (AWG6)	25mm ² (AWG4)	60-80Amp
OCD 12/24-30	10mm ² (AWG8)	16mm ² (AWG6)	40-50Amp

- ③ Zie de onderstaande afbeelding voor de aansluitlocaties van de stuurdraden.



Aansluiting 1 is de hoofd-aan/uit sturingang en kan alleen worden gebruikt als DIP-schakelaar 4 is uitgeschakeld. Deze ingang kan worden gebruikt om de lader aan of uit te schakelen en is "actief hoog". Wanneer op deze ingang een spanning hoger dan 2V wordt aangeboden, gaat de lader aan. Wanneer op deze ingang een spanning lager dan 1V wordt aangeboden, gaat de lader uit en trekt geen stroom. De maximale ingangsspanning is 32V. In een voertuigtoepassing wordt aanbevolen deze ingang aan

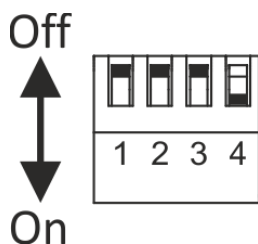
te sluiten op het motorloopsignaal. Neem contact op met uw autoleverancier voor de meest geschikte aansluiting.

BMS-ingangsaansluiting 2 kan worden gebruikt om de lader in stand-by modus te forceren. In deze modus stopt de lader met opladen, maar de interne circuits blijven actief om het opladen onmiddellijk te hervatten zodra dit opnieuw is toegestaan. Deze ingang kan verbonden worden met een lithiumbatterij BMS om het laadproces indien nodig te stoppen. Standaard is deze ingang “actief laag” (<1V is aan en >3V is stand-by), maar dit kan ook worden gewijzigd in “actief hoog” via TBS Dashboard of de Dashboard Mobile app. De maximale ingangsspanning is 32V.

Aansluiting 3 is een open collectoruitgang die gebruikt kan worden om bijvoorbeeld een externe indicator aan te sturen. De maximale schakelspanning en stroom zijn respectievelijk 32V en 150mA. Deze uitgang is standaard actief (laag) tijdens het laden of wanneer het opladen is voltooid. Andere ‘actief’ voorwaarden kunnen worden geselecteerd in de TBS Dashboard- of Dashboard Mobile apps.

Verbinding 4 is gereserveerd voor toekomstig gebruik en heeft nog geen actieve functionaliteit.

④ DIP-schakelaar instellingen



DIP-schakelaar 1 en 2 worden gebruikt om het gewenste laadprogramma voor de aangesloten uitgangssaccu te kiezen. Raadpleeg onderstaande tabel:

DIP1	DIP2	Battery type / Laadprogramma ^{1) 2)}
Off	Off	Flooded (standaard instelling) <i>Bulk/Abs spanning = 14.4V (28.8V)</i> <i>Float spanning = 13.5V (27.0V)</i>
Off	On	GEL <i>Bulk/Abs spanning = 14.2V (28.4V)</i> <i>Float spanning = 13.5V (27.0V)</i>
On	Off	AGM <i>Bulk/Abs spanning = 14.7V (29.4V)</i> <i>Float spanning = 13.6V (27.2V)</i>
On	On	LiFePo4 <i>Bulk/Abs spanning = 14.4V (28.8V)</i> <i>Float spanning = 13.8V (27.6V)</i>

¹⁾ De laadspanningswaarde tussen haakjes is voor het OCD 12/24-30 model

²⁾ Alle standaard laadspanningswaarden zijn configureerbaar met behulp van de TBS Dashboard- en Dashboard Mobile apps.

DIP-schakelaar 3 is gereserveerd voor toekomstig gebruik (standaard uit)

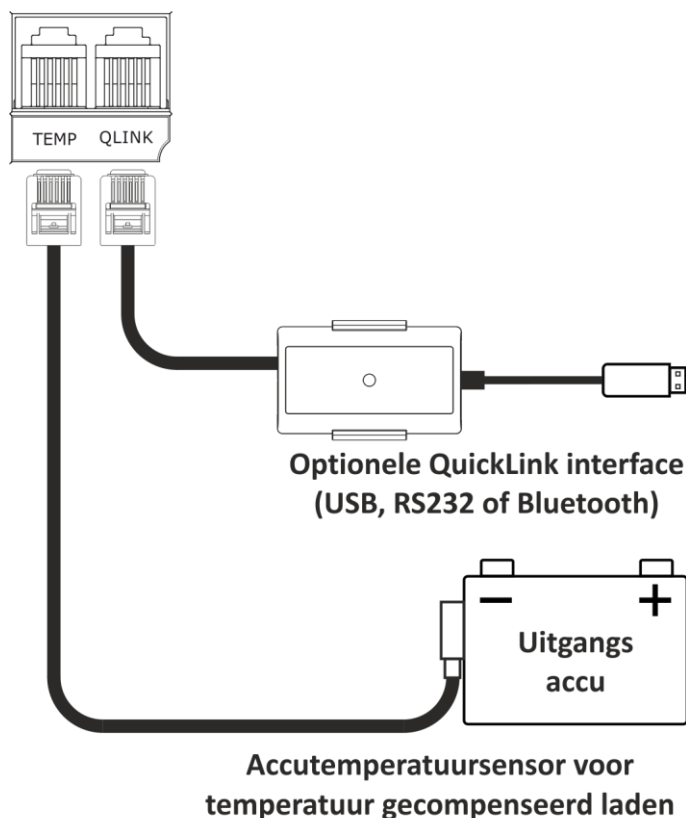
DIP-schakelaar 4 kan worden gebruikt om de aan/uit-stuuringang te overbruggen (zie punt 3 hierboven). Als deze DIP-schakelaar is ingesteld op Aan (standaardinstelling), wordt de aan/uit-stuuringang omzeild en werkt de lader altijd, onafhankelijk van de status aan de sturingang. Als deze DIP-schakelaar op Uit staat, wordt de lader bestuurd door de aan/uit-stuuringang. Deze instelling wordt aanbevolen voor voertuigtoepassingen met een correct motorloopsignaal.



OPGELET

Foutieve accutype instellingen kunnen uw accu's en/of verbonden accu belastingen ernstig beschadigen. Raadpleeg altijd de documentatie van uw accu voor de juiste laadspanningsinstellingen.

- ⑤ De volgende afbeelding toont de resterende verbindingsopties.



Met de optionele QuickLink-communicatie kits kan de lader worden geprogrammeerd en bewaakt met behulp van de TBS Dashboard-software op PC (via USB of RS232) of de Dashboard Mobile app op iOS- en Android-platforms (via Bluetooth).

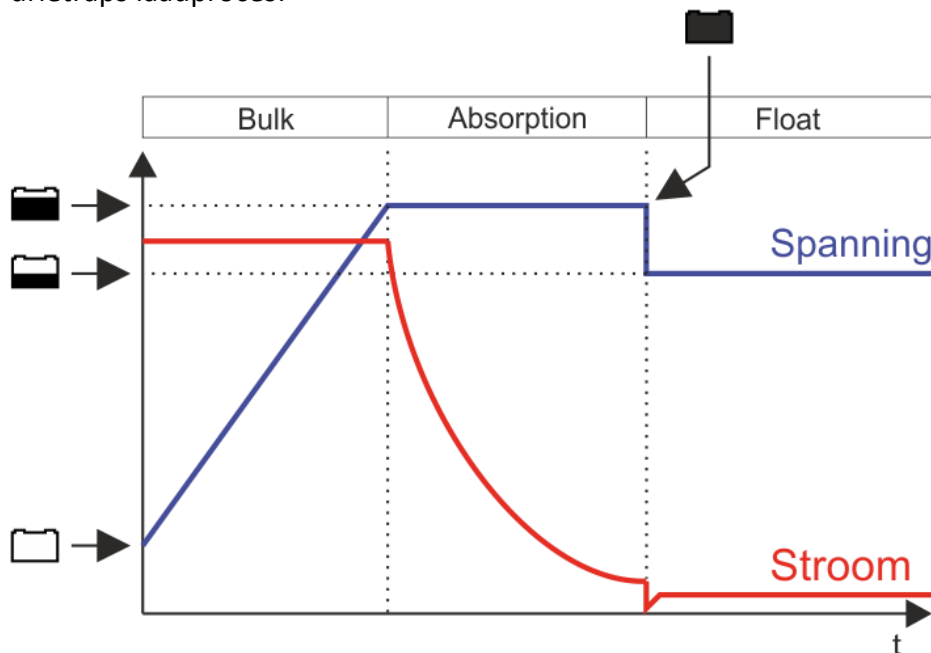
Sluit de accutemperatuursensor altijd aan op de accu die wordt opgeladen (uitgangsaccu). Zo zal de lader automatisch de laadspanningen compenseren tegen

temperatuur. Dit betekent dat de laad spanningen licht stijgen bij lagere temperaturen en dalen bij hogere temperaturen (-30mV/°C bij 12V modellen en -60mV/°C bij 24V modellen). Op deze manier wordt overlading voorkomen wat de levensduur van de accu verlengt. Wanneer het LiFePo4 laadprogramma is geselecteerd, zullen de laadspanningen niet gecompenseerd worden tegen temperatuur. Echter, de temperatuursensor zorgt er wel voor dat het laden van de lithium accu wordt gestaakt wanneer de temperatuur onder de 0°C komt. Dit ter bescherming van uw accu.

3. ALGEMENE FUNCTIONALITEIT

3.1 Het laadproces

Alle selecteerbare laadprogramma's, voeren een drietraps IUoUo-laadproces uit bestaande uit een 'Bulk', een 'Absorptie' en een 'Float' fase. De volgende afbeelding toont het drietraps laadproces:



Wanneer de lader is ingeschakeld, start deze in de 'Bulk' fase. In deze fase levert de lader de volledige uitgangsstroom en brengt normaal gesproken ongeveer 80% van de lading terug in de accu zodra de absorptiespanning is bereikt. Wanneer deze spanning is bereikt, wordt de 'Absorption' fase gestart. Deze fase zal de laatste 20% van de lading naar de accu terugbrengen. De uitgangsspanning wordt op een constant niveau gehouden en de laadstroom neemt af al naar gelang de accu voller raakt. Wanneer de laadstroom onder een bepaalde waarde is gedaald, wordt de 'Float' of druppel fase gestart. Voor lithium accu's is reeds meer dan 80% van de lading naar de accu overgedragen tijdens de Bulk fase. De Absorption fase voor dit accu type zal dus relatief kort zijn.

In de Float fase wordt de accuspanning constant gehouden op een veilig niveau voor de accu. Het houdt de accu in een optimale toestand zolang de accu met de geactiveerde lader

verbonden blijft. Verbonden accubelastingen worden direct door de lader van stroom voorzien tot het maximum uitgangsstroomniveau van de lader.

3.2 Gebruik van de lader via de hoofd aan/uit-stuuringang

Om de lader te activeren, moet een positief (hoog) signaal worden aangeboden aan de hoofd aan/uit-stuuringang terwijl DIP-schakelaar 4 in de Off-stand moet staan. In een voertuigtoepassing is dit normaliter het motorloopsignaal. Na een korte vertraging van een paar seconden start de lader normaal gesproken het laadproces. Er is echter een tweede voorwaarde waaraan moet worden voldaan voordat het laadproces start en dit is het ingangsspanningsniveau. De spanning van de ingangssaccu moet hoger zijn dan een bepaald niveau om de uitgangssaccu op te kunnen laden. Bovendien moet ook gedurende een vooraf ingestelde tijd aan deze voorwaarde worden voldaan. Zie de onderstaande tabel met alle standaard fabriekswaarden voor spanning en vertraging die zijn opgeslagen in de Omnicharge DC lader:

Parameter ¹⁾	Standaardwaarde OCD 12/12-50	Standaardwaarde OCD 12/24-30
Inschakel ingangsspanning	> 12,5V	> 12,5V
Vertraging	10 sec	10 sec
Uitschakel ingangsspanning (langzaam)	< 12,4V	< 12,4V
Vertraging	3 min	3 min
Uitschakel ingangsspanning (snel)	< 12,0V	< 12,0V
Vertraging	1 sec	1 sec

¹⁾ Alle parameters zijn configureerbaar met behulp van de TBS Dashboard en Dashboard Mobile apps

Zoals te zien is in de bovenstaande tabel, zijn er twee uitschakelniveaus voor te lage ingangsspanning. Het “langzaam” uit niveau mag langer worden overschreden dan het “snel” uit niveau. Dit resulteert in een stabiel laadproces en vermijdt toch een te ver ontladen ingangssaccu.



OPGELET

Als de hoofd aan/uit-stuuringang is aangesloten op het ‘ignition’ signaal in plaats van het motorloop-signaal, terwijl de uitschakel ingangsspanningen ingesteld staan op relatief lage waarden, zorg er dan voor dat u de motor tijdig start om te voorkomen dat de startaccu te veel ontladend.

3.3 Gebruik van de lader zonder gebruik te maken van de hoofd aan/uit-stuuringang

Als er geen motorloopsignaal beschikbaar is of als de lader altijd geactiveerd moet blijven, moet DIP-schakelaar 4 op On staan. In deze modus zijn de ingangsspanningsvereisten zoals

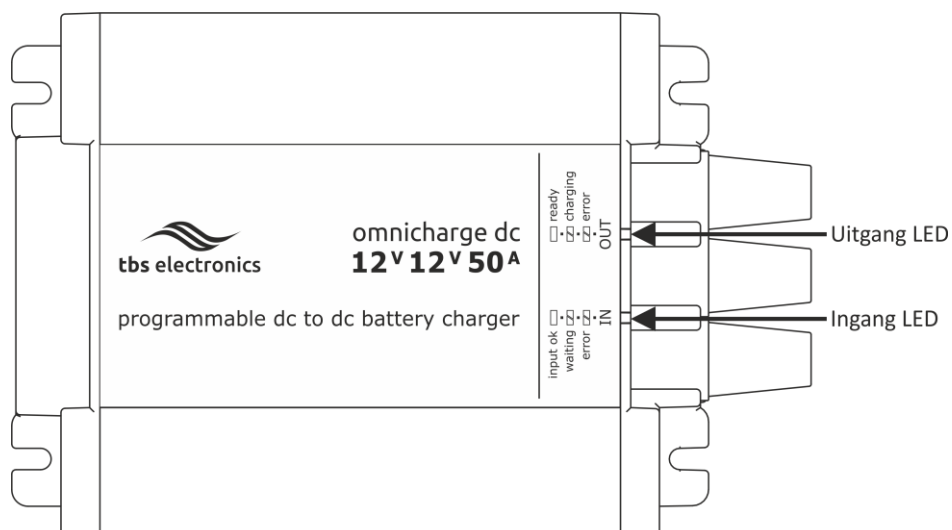
weergegeven in de tabel van hoofdstuk 3.2 echter nog steeds van toepassing. De lader begint dus pas met laden als aan deze eisen is voldaan.

⚡ OPGELET

Houd er rekening mee dat in deze altijd geactiveerde modus de lader een kleine stroom (<35mA) zal blijven trekken uit de ingangssaccu, zelfs wanneer niet is voldaan aan de ingangsspanningsvoorwaarde voor het inschakelen. Dit kan resulteren in een ontladen ingangssaccu als dit voor langere tijd wordt toegestaan.

3.4 LED indicatoren

De Omnicharge DC laders zijn voorzien van individuele leds voor de in- en uitgangszijde. Zie de onderstaande afbeelding voor de locatie van deze LED's:



In de onderstaande tabel worden alle beschikbare LED condities uitgelegd:

LED	Status	Uitleg
Ingang LED	Uit	Lader uit
	Knippert oranje	Ingangsspanning te laag of inschakelvertraging nog niet verlopen
	Continu groen	Alle ingangsvoorwaarden zijn in orde voor opladen
	Knippert rood	Fout (zie onderstaande LED-foutentabel)
Uitgang LED	Uit	Lader uit of opladen wordt nog geblokkeerd omdat niet aan de ingangsvoorwaarden is voldaan
	Knippert groen	Opladen bezig
	Continu groen	Opladen voltooid (Float fase)
	Knippert rood	Fout (zie onderstaande LED-foutentabel)

De onderstaande LED-foutentabel toont welke fouttypen zijn gekoppeld aan welke LED-knipperreeksen:

Ingang LED	Uitgang LED	Fout type
Knippert rood (1 puls)		Ingang overspanning
	Knippert rood (1 puls)	Uitgang overspanning, uitgang onderspanning, accutemperatuur te laag of te hoog
	Knippert rood (2 pulsen)	Uitgang overbelasting/kortsluiting
	Knippert rood (3 pulsen)	Te hoge lader temperatuur

4. STORINGSTABEL

Raadpleeg onderstaande tabel als u problemen ervaart met de Omnicharge² acculader en/of de installatie.

Probleem	Mogelijke oorzaak	Oplossing
Omnicharge DC werkt niet.	Geen ingangsspanning	Controleer bedrading en ingangszekering
	Ingangsspanning is te laag	Controleer de ingangsspanning, pas de instellingen van de ingangsspanning aan, start de motor
	Geen positief signaal op de hoofd aan/uit sturingsdraad	Controleer bedrading, zekeringen en status van het motorloopsignaal
	Positief signaal op BMS-ingang	Controleer uitgang accu BMS status
	Zeer slechte toestand van de ingangsaccu	Vervang accu
De accu wordt niet volledig tot zijn maximale capaciteit opgeladen.	Verkeerde instelling van de absorptielaadspanning.	Controleer of het accutype juist is ingesteld. Of pas de absorptiespanning aan.
	Verkeerde laadstroominstelling.	Zorg dat de maximale uitgangsstroominstelling op het maximum niveau is ingesteld (controleer of dit door de accufabrikant is toegestaan).
	Te veel spanningsverlies in de accukabels en/of verbindingen.	Zorg dat de diameter van de accukabels voldoende groot is. Controleer of alle DC-verbindingen solide zijn.

	Aangesloten belastingen op de accu verbruiken te veel stroom tijdens het opladen.	Schakel alle accubelastingen uit of ontkoppel ze.
Laadstroom is te laag.	Te hoge omgevings-temperatuur.	Probeer de omgevings-temperatuur rondom de lader te verlagen.
	De lader werkt in de absorptielaadfase.	Doe niets. De accu is bijna volledig opgeladen en verbruikt zelf minder stroom.
Laadspanning is te laag.	De laadspanning wordt gecompenseerd door de accutemperatuursensor om de accu te beschermen.	Doe niets of probeer de omgevingstemperatuur rond de accu af te koelen.
	Verkeerd accutype geselecteerd, of laadspanning moet worden aangepast.	Selecteer het juiste accutype of pas de laadspanning in het instelmenu aan.
	Accukabels zijn te dun.	Installeer dikkere accukabels. Zie de tabel met accukabelmaten in hoofdstuk 2.3.
	Een belasting op de accu verbruikt een hogere stroom dan de uitgangsstroom van de lader.	Verlaag of verwijder de accubelasting.
LED's knipperen rood	Fout gedetecteerd	Controleer de LED-foutentabel in hoofdstuk 3.4

Wanneer geen van de bovenstaande oplossingen werken, kunt het beste contact opnemen met een lokale TBS distributeur voor verdere assistentie en/of reparatie van uw Omnicharge DC lader. Haal de Omnicharge DC nooit zelf uit elkaar, dit zal direct uw recht op garantie ongeldig verklaren.

5. TECHNISCHE SPECIFICATIES

Parameter	OCD 12/12-50	OCD 12/24-30
Nominale ingangsspanning	12Vdc	
Ingangsspanningsbereik	10.0 – 16.0Vdc	
Maximale ingangsstroom	65A _{dc}	
Stroomverbruik (niet actief)	< 0.25mA	
Stroomverbruik (onbelast/stand-by)	< 35mA	< 45mA
Nominale uitgangsspanning	12Vdc	24Vdc
Uitgangsspanningsbereik	12.0 – 16.0Vdc	24.0 – 32.0Vdc
Maximale uitgangsstroom ¹⁾	50A	30A
Laadkarakteristiek	IUoUo, intelligent 3-staps, temp. gecompenseerd	
Ondersteunde accutypes ²⁾	Flooded / Gel / AGM / LiFePO4	
Aanbevolen omgevingstemp.	-20°C ... +60°C	
Aanbevolen opslagtemp.	-30°C ... +70°C	
Koeling	Ventilator met variabel toerental	
Communicatiepoort	QuickLink	
Temperatuursensorpoort	Ja (sensor inclusief)	
Motorloop/activeer ingangspoort	Ja (> 2.0Vdc = Actief en < 1.0Vdc = Inactief)	
BMS ingangspoort	Ja (> 3.0Vdc = Stand-by en < 1.0Vdc = Actief)	
Status uitgangspoort	Ja (open drain, 32Vdc / 150mA max, vijf toe te wijzen status types)	
Beveiligingen	Hoge/lage ingangsspanning, hoge temperatuur, kortsluiting en ompoling (ingang + uitgang)	
Indicatoren	Ingang status, uitgang (laad-) status, fout	
Accu aansluitingen	3x M6 schroefaansluitingen	
Afmetingen (HxBxD)	70 x 128 x 170mm	
Totaal gewicht	1.2kg	
Beschermingsklasse	IP21	
Normen	EMC: 2014/30/EU, Low voltage directive: 2014/35/EU, RoHS: 2011/65/EU, Automotive: EN50498 („E“ pending)	

N.B. : bovenstaande gegevens kunnen zonder aankondiging van de fabrikant veranderen

¹⁾ Maximale uitgangsstroomtolerantie is +/-10%. Bij hogere omgevingstemperaturen (> 40°C) kan de maximale uitgangsstroom automatisch worden verlaagd.

²⁾ Selecteerbaar m.b.v. DIP-schakelaars. Alle standaard laadspanningen zijn programmeerbaar via de Dashboard apps.



Neem bij de verwijdering van oude producten de lokale wetgeving in acht en plaats deze producten niet bij het gewone huishoudelijke afval. Als u oude producten correct verwijdert, voorkomt u negatieve gevolgen voor het milieu en de volksgezondheid.

6. GARANTIE / AANSPRAKELIJKHEID FABRIKANT

TBS Electronics (TBS) garandeert dit product vrij van defecten veroorzaakt in de assemblage of door de gebruikte materialen, tot 24 maanden na de aankoop datum. Gedurende deze periode neemt TBS de kosten van eventuele reparatie voor zijn rekening. TBS is niet verantwoordelijk voor de transportkosten van dit product.

Deze garantie vervalt wanneer dit product fysiek beschadigd is zowel extern als intern, als er iets aan het oorspronkelijk apparaat veranderd is of als de behuizing door een niet gemachtigd persoon is geopend. Deze garantie dekt geen kosten veroorzaakt door onjuist gebruik¹⁾, of door gebruik in niet geschikte omgevingen.

Deze garantie is niet geldig wanneer dit product wordt misbruikt, verwaarloosd, onjuist geïnstalleerd of gerepareerd door iemand anders dan door TBS is aangewezen. De fabrikant is niet verantwoordelijk voor enig verlies, schade of kosten voortvloeiende uit onjuist gebruik of installatie van dit product, gebruik in niet geschikte omgevingen en product storing.

Omdat de fabrikant geen controle kan uitvoeren op het gebruik en de installatie (volgens de lokaal geldende voorschriften) van de TBS producten, is de eindgebruiker te allen tijde aansprakelijk voor het gebruik van de TBS producten. TBS producten zijn niet ontworpen voor toepassing als kritisch component in (medische-) apparatuur of systemen die een potentieel gevaar kunnen vormen voor mens, natuur en milieu. De eindgebruiker is ten alle tijden verantwoordelijk voor de toepassing van TBS producten in deze applicaties. De fabrikant accepteert geen verantwoordelijkheid voor mogelijke inbreuk op patenten of andere rechten van derden, verbonden aan het gebruik van TBS producten. De fabrikant behoudt het recht om product specificaties te wijzigen zonder voorafgaande aankondiging.

¹⁾ Enkele voorbeelden van onjuist gebruik zijn :

- Het aanbieden van een te hoge ingangsspanning
- Het verkeerd om aansluiten van de accu kabels
- Het aansluiten van niet geschikte accu's
- Mechanisch te zwaar belaste behuizing en/of interne onderdelen, vanwege misbruik of incorrecte verpakking
- Contact met vloeistoffen of oxidatie door condensatie

7. CONFORMITEITSVERKLARING

Zie pagina 20

INHALTSÜBERSICHT

1. EINLEITUNG	38
1.1 Vorgesehene Produktverwendung.....	38
1.2 Wichtige Sicherheitshinweise.....	38
2. INSTALLATION	41
2.1 Auspacken.....	41
2.2 Montage	41
2.3 Verbindungsdetails.....	42
3. GRUNDLEGENDE FUNKTIONEN	47
3.1 Der Ladevorgang.....	47
3.2 Bedienung des Ladegeräts über den Eingang der Ein/Aus-Steuerung.....	48
3.3 Bedienung des Ladegeräts ohne den Eingang der Ein/Aus-Steuerung.....	49
3.4 LED-Anzeigeleuchten	49
4. RICHTLINIEN ZUR FEHLERSUCHE	51
5. TECHNISCHE SPEZIFIKATIONEN.....	53
6. GARANTIE / HAFTUNGSBESCHRÄNKUNG	54
7. KONFORMITÄTSERKLÄRUNG	55

1. EINLEITUNG

Vielen Dank, dass Sie eine TBS Electronics (TBS) Omnicharge DC/DC-Batterieladegerät erworben haben. Bitte lesen Sie dieses Bedienerhandbuch, um weitere Informationen zur richtigen und sicheren Verwendung des Produkts zu erhalten. Bewahren Sie dieses Bedienerhandbuch und alle zugehörigen Dokumentationen für zukünftige Referenzen auf. Um die aktuellste Revision zu erhalten, überprüfen Sie bitte den Abschnitt Downloads auf unserer Internetseite.

Der Zweck dieser Bedienungsanleitung ist die Bereitstellung von Erklärungen und Verfahren zur Installation, Konfiguration und zum Betrieb des Batterieladegeräts. Die Installationsanweisungen sind für Installierer gedacht, die über Kenntnisse und Erfahrungen bei der Installation von Elektroausrüstung, Kenntnisse über geltende Installationscodes und ein Bewusstsein für die Gefahren bei der Durchführung von Elektroarbeiten und deren Verringerung verfügen.

1.1 Vorgesehene Produktverwendung

Die Omnicharge DC Batterieladegeräte sind in erster Linie dazu vorgesehen, über die Starterbatterie eines Fahrzeugs eine Zusatzbatterie oder eine Servicebatterie zu laden. Die Eingangsspannung der Batterie kann hierbei einen Wert betragen, der über, unter oder auf dem gleichen Niveau der von der Batterie ausgegebenen Spannung liegt. Mit einem Omnicharge DC Ladegerät kann die Zusatzbatterie unabhängig von der Eingangsspannung optimal geladen werden, während sie gleichzeitig vor Beschädigung durch Spannungsspitzen geschützt ist.

Omnicharge DC Batterieladegeräte sind mit allen Fahrzeugen kompatibel, die mit intelligenten Lichtmaschinen mit variabler Leistung (EUR 6+) ausgestattet sind. Das Omnicharge DC kann den Ladevorgang entweder nur auf der Grundlage eines programmierbaren Eingangsspannungsbereichs oder in Verbindung mit einem Signal, das auf den Motorlauf hinweist, einleiten. Es steht außerdem ein separater (BMS-)Steuereingang zur Verfügung, der eine externe Steuerung zum Einschalten und das Versetzen des Ladegeräts in den Standby-Betrieb ermöglicht.

1.2 Wichtige Sicherheitshinweise

Dieser Abschnitt enthält wichtige Sicherheitshinweise zur Verwendung des Omnicharge DC Batterieladegeräts. Lesen Sie sich vor jeder Inbetriebnahme des Ladegeräts sowohl SÄMTLICHE Anweisungen und Warnhinweise, die sich auf dem Ladegerät oder in den beiliegenden Unterlagen befinden, als auch alle sachdienlichen Abschnitte dieser Bedienungsanleitung sorgfältig durch. Das Omnicharge DC Batterieladegerät enthält keine durch den Benutzer zu wartenden Teile. Das Öffnen des Batterieladegeräts führt zum Erlöschen der Produktgarantie.



WARNUNG

GEFAHR EINES BRANDS UND/ODER EINER VERÄTZUNG

Decken Sie keine der Lüftungsöffnungen ab und installieren Sie das Gerät nicht an einem Ort, an dem aufgrund fehlenden Platzes keine ausreichende Luftzufuhr gewährleistet werden kann.



WARNUNG

STROMSCHLAG GEFAHR. HALTEN SIE DAS PRODUKT VON KINDERN FERN!

Vermeiden Sie das Eindringen von Feuchtigkeit. Das Gerät darf unter keinen Umständen Schnee, Wasser usw. ausgesetzt werden.



WARNUNG

DAS NICHTBEFOLGEN DER NACHSTEHEND AUFGEFÜHRTEN ANWEISUNGEN KANN ZU SCHWEREN VERLETZUNGEN ODER SOGAR ZUM TOD FÜHREN:

1. Wenn Sie mit elektrischen Geräten oder Bleiakkumulatoren arbeiten, sollten stets dafür sorgen, dass sich im Notfall noch eine weitere Person in der näheren Umgebung aufhält.
2. Lesen und befolgen Sie sämtliche des jeweiligen Batterieherstellers herausgegebenen Vorsichtsmaßnahmen, bevor Sie die mit dem Ladegerät verbundene Batterie installieren, verwenden oder Wartungsarbeiten daran vornehmen.
3. Tragen Sie stets eine Schutzbrille und Handschuhe.
4. Vermeiden Sie es, während der Verwendung dieses Geräts Ihre Augen zu berühren.
5. Halten Sie für den Fall, dass Batteriesäure in die Augen gelangt, sauberes Wasser und etwas Seife bereit. Spülen Sie in einem solchen Fall Ihre Augen mindestens 15 Minuten lang mit Wasser und Seife aus und suchen Sie unverzüglich einen Arzt auf.
6. Akkus setzen explosionsfähige Gase frei. Rauchen sowie offene Flammen und Funken in der Nähe des Geräts sind NICHT gestattet.
7. Versuchen Sie unter keinen Umständen, eine nicht wiederaufladbare, gefrorene oder sichtbar beschädigte Batterie wieder aufzuladen.
8. Halten Sie das Gerät von feuchten Umgebungen fern.
9. Lassen Sie keine Metallwerkzeuge oder Gegenstände auf die Batterie fallen. Dies könnte einen Funken oder Kurzschluss verursachen, der durch die Batterie oder ein anderes Elektrowerkzeug geht, und zu einer Explosion führen.
10. Das Batterieladegerät muss an eine mit einem Schutzleiter versehene Netzsteckdose angeschlossen werden. Sollte das Netzkabel des Geräts Schäden aufweisen, lassen Sie es unverzüglich von einem qualifizierten Techniker ersetzen.
11. Im Gehäuse des Ladegeräts befinden sich keine durch den Benutzer zu wartenden Teile.
12. Trennen Sie das Ladegerät stets von der Stromversorgung, bevor Sie eine Batterie daran anschließen oder davon trennen.



WARNUNG

EXPLOSIONSGEFAHR!

Verwenden Sie das Batterieladegerät nicht in der Nähe von brennbaren Dämpfen oder Gasen.



VORSICHT

NUTZUNGSBESCHRÄNKUNGEN

Verwenden Sie das Gerät nicht in Verbindung mit lebenserhaltenden Systemen oder anderen medizinischen Ausrüstungen oder Vorrichtungen.

Dieses Ladegerät darf nicht von Personen mit eingeschränkten körperlichen oder geistigen Fähigkeiten oder mangelnder Erfahrung und Wissen verwendet werden. Auch die Bedienung oder Nutzung durch Kinder ist untersagt.

2. INSTALLATION

2.1 Auspacken

Im Lieferumfang des Ladegeräts sollten folgende Artikel enthalten sein :

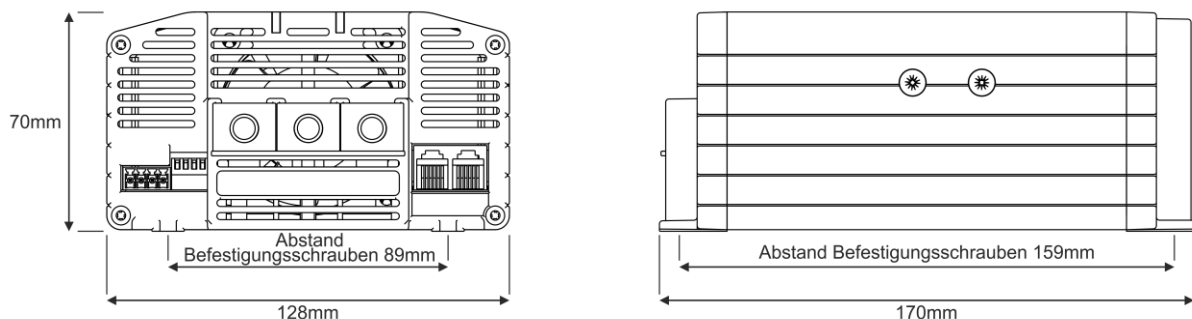
- Batterieladegerät
- Batterietemperatursensor (3m)
- Bedienungsanleitung
- 3x Gummi Kabeldurchführung
- 3x M6-Quetschkabelschuhe

VORSICHT

Überprüfen Sie dieses Gerät nach dem Auspacken auf mechanische Schäden. Das Gerät nicht verwenden, wenn das Gehäuse sichtbare Schäden aufgrund unsachgemäßen Gebrauchs aufweist, oder wenn das Gerät aus Versehen fallengelassen wurde. Wenden Sie sich für weitere Informationen an Ihren Händler.

2.2 Montage

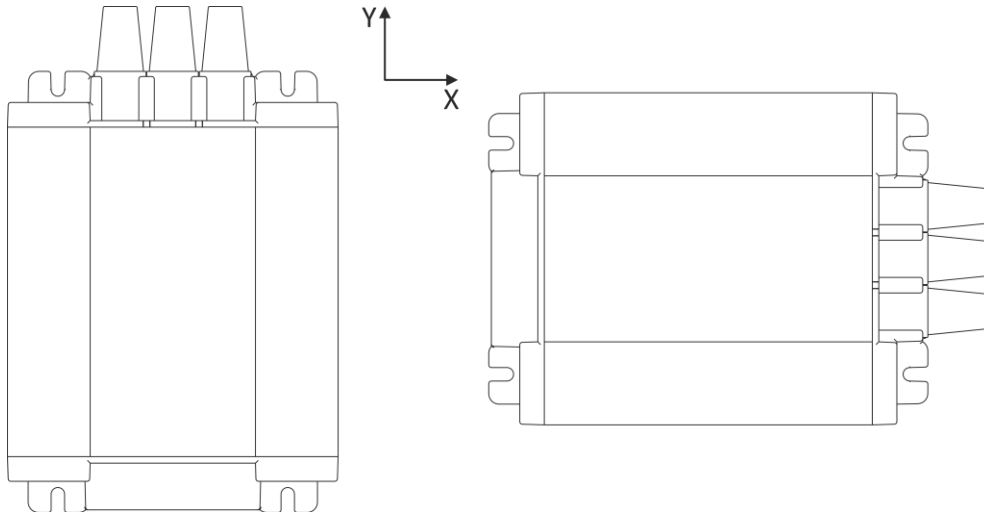
Das bevorzugte Verfahren zur Montage und die Abstände der Befestigungsschrauben entnehmen Sie bitte der unten stehenden Abbildung.



Weitere Informationen zur Montage:

1. Wählen Sie einen geeigneten Montageort in einem ausreichend belüfteten Raum, an dem das Gerät vor Regen, Schnee, Spritzwasser, Dampf, Feuchtigkeit und Staub geschützt ist.
2. Stellen Sie sicher, dass die Umgebungstemperatur stets in einem Bereich zwischen -20 °C und $+60\text{ °C}$ liegt. Temperaturen von mehr als $+40\text{ °C}$ führen dazu, dass die Ausgangsleistung während des Ladevorgangs automatisch reduziert wird.
3. Setzen Sie das Ladegerät keiner Wärmequelle aus (z. B. direkter Sonneneinstrahlung oder einer Heizung). Vermeiden Sie eine zusätzliche Erwärmung des Produkts. Sorgen Sie außerdem dafür, dass das Ladegerät keinen übermäßigen Vibrationen oder Erschütterungen ausgesetzt ist.
4. Montieren Sie das Ladegerät unter keinen Umständen in einer Umgebung, in der die Gefahr einer Gas- oder Staubexplosion besteht, z. B. im selben Fach, in dem sich die

- Batterien befinden, oder unmittelbar über Batterien mit offene Ventile.
5. Bei waagerechter Montage des Ladegeräts (Bodenmontage) ist jede Art der Ausrichtung zulässig. Bei senkrechter Montage beachten Sie bitte die nachstehend aufgeführten Ausrichtungen des Gehäuses und ziehen diese sämtlichen anderen Montagearten vor:



! VORSICHT

Gewähren Sie dem Produkt zum Zwecke der ausreichenden Kühlung zu allen Seiten einen Freiraum von mindestens 10 cm.

2.3 Verbindungsdetails

⚡ WARNUNG

Damit die Sicherheit des Benutzers während der Montage gewährleistet ist, vergewissern Sie sich bitte stets, dass der Ausgang der Versorgungsquelle abgeschaltet ist (Sicherungen vorübergehend aus den Sicherungshaltern entfernen) und dass keine Verbraucher an die Batterien angeschlossen sind.

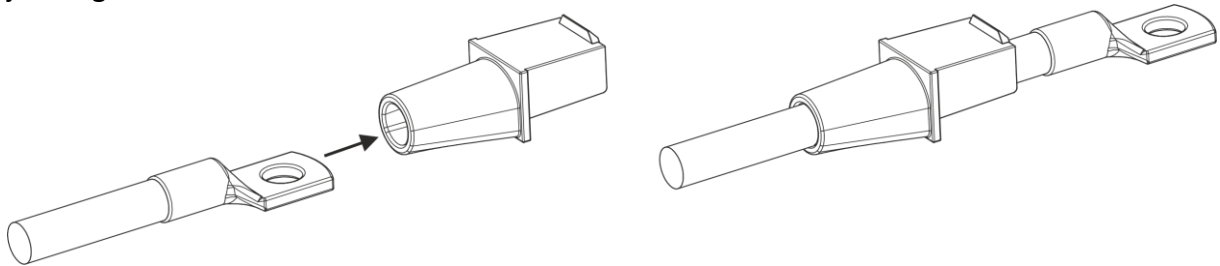
! VORSICHT

Bitte überprüfen Sie anschließend noch einmal sorgfältig, ob die Batteriespannungen mit den Spezifikationen des verwendeten Ladegeräts übereinstimmen.

! VORSICHT

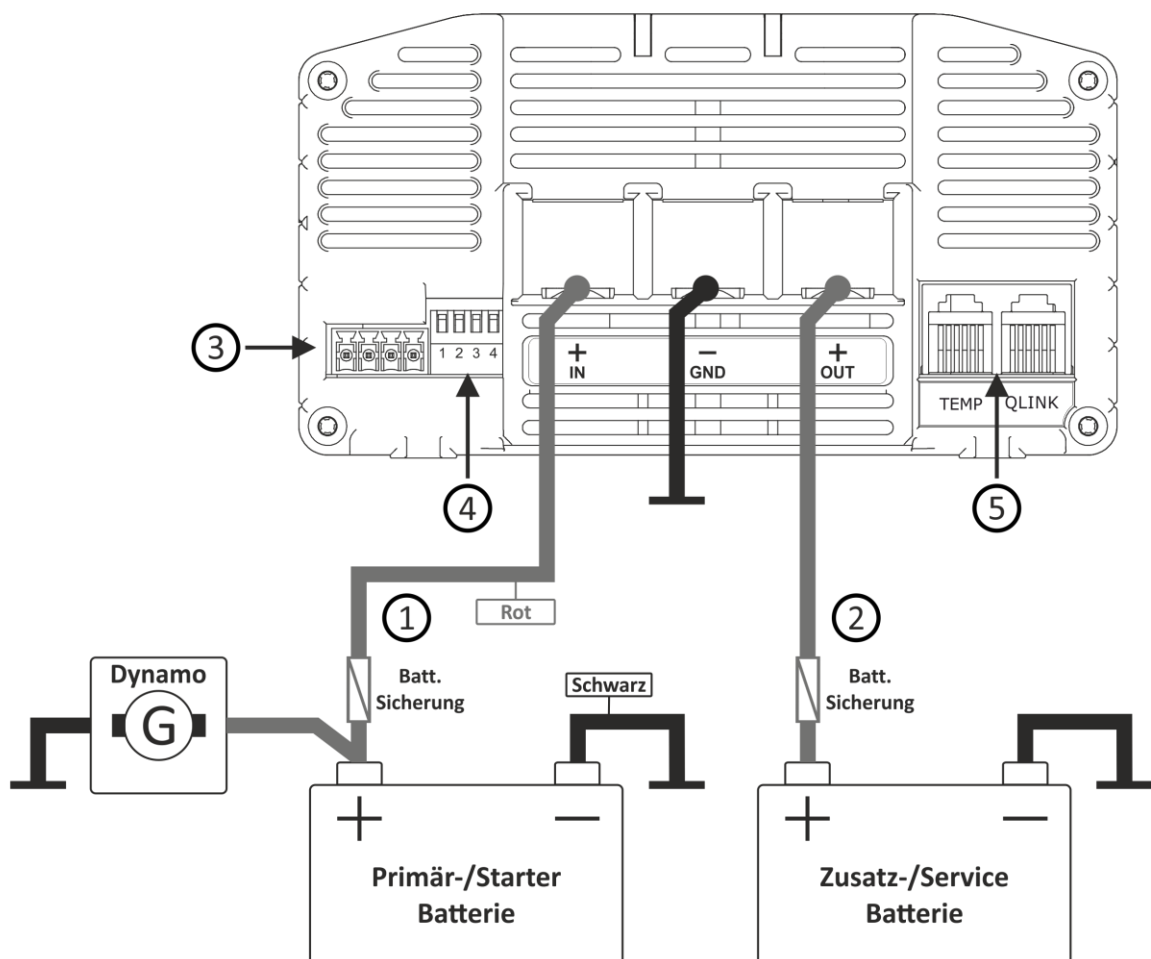
Schließen Sie immer zuerst die Masse (- GND), dann die Servicebatterie (+ OUT) und zuletzt die Starterbatterie (+ IN) an.

Vergewissern Sie sich vor dem Anschließen der Haupt-Gleichstromkabel, dass Sie die im Lieferumfang enthaltenen Gummitüllen wie in der nächsten Abbildung dargestellt über die jeweiligen Kabel schieben.



Sobald Sie die Gleichstromkabel an das Ladegerät angeschlossen haben, können Sie die Gummitüllen in Richtung der Vorderseite des Ladegeräts schieben, bis die Schraubverbindungen vollständig abgedeckt sind.

Bitte sehen Sie das Bild unten für die Verbindungsdetails.



- ① Bitte prüfen Sie die nachfolgende Tabelle, um die korrekte Batterieeingangskabel- und Sicherungsgröße für jedes Modell zu bestimmen. Die Verwendung einer geringeren Kabelgröße oder eines längeren Kabels verursacht zusätzliche Verluste und kann zu

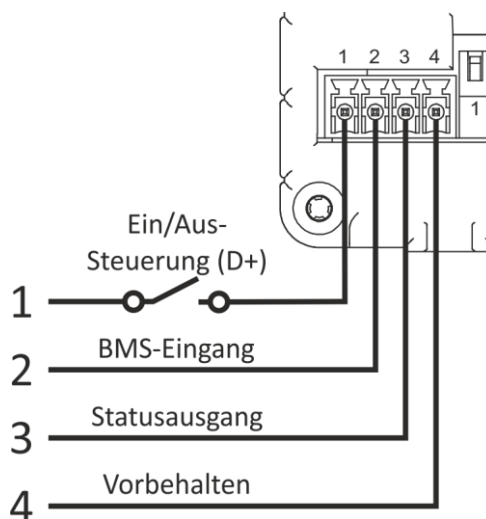
einer unsachgemäßen Ladung der Batterien führen. Es bestehen Brand- und Verbrennungsgefahr, wenn die Batteriekabel keine ausreichende Größe für den erwarteten Strom aufweisen. Sorgen Sie stets für eine möglichst kurze Kabellänge!

Modell	Minimum Kabelgröße	Empfohlen Kabelgröße	Batteriesicherung (Schnelle Version)
OCD 12/12-50	16mm ² (AWG6)	25mm ² (AWG4)	70-90Amp
OCD 12/24-30	16mm ² (AWG6)	25mm ² (AWG4)	70-90Amp

- ② Bitte prüfen Sie die nachfolgende Tabelle, um die korrekte Batterieausgangskabel- und Sicherungsgröße für jedes Modell zu bestimmen. Die Verwendung einer geringeren Kabelgröße oder eines längeren Kabels verursacht zusätzliche Verluste und kann zu einer unsachgemäßen Ladung der Batterien führen. Es bestehen Brand- und Verbrennungsgefahr, wenn die Batteriekabel keine ausreichende Größe für den erwarteten Strom aufweisen. Sorgen Sie stets für eine möglichst kurze Kabellänge!

Modell	Minimum Kabelgröße	Empfohlen Kabelgröße	Batteriesicherung (Schnelle Version)
OCD 12/12-50	16mm ² (AWG6)	25mm ² (AWG4)	60-80Amp
OCD 12/24-30	10mm ² (AWG8)	16mm ² (AWG6)	40-50Amp

- ③ Die Anschlussstellen der Steuerdrähte entnehmen Sie bitte der Abbildung unten.



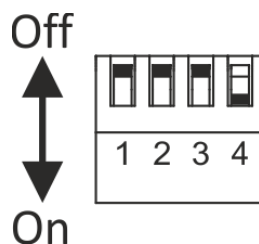
Anschluss 1 ist der primäre Eingang der Ein/Aus-Steuerung und kann nur verwendet werden, wenn der DIP-Schalter 4 auf „Off“ gestellt ist. Dieser Eingang kann zum Aktivieren oder Deaktivieren des Ladegeräts verwendet werden und ist „aktiv hoch“. Wird eine Spannung von mehr als 2 V an diesen Eingang angelegt, schaltet sich das Ladegerät ein. Wird eine Spannung von weniger als 1 V angelegt, schaltet sich das Ladegerät aus und nimmt keinerlei Strom mehr auf. Die maximale Eingangsspannung beträgt 32 V. Bei Anwendungen, die für Fahrzeuge vorgesehen sind, wird empfohlen, diesen Eingang mit dem Motorlaufsignal (D+) zu verbinden. Wenden Sie sich an Ihren Fahrzeughändler, um den Anschluss zu identifizieren, der am besten dafür geeignet ist.

Der BMS-Eingangsanschluss 2 kann verwendet werden, um das Ladegerät in den Standby-Modus zu versetzen. Zwar unterbricht das Ladegerät in diesem Modus den Ladevorgang, da aber die internen Schaltkreise weiterhin aktiv bleiben, kann der Ladevorgang sofort wieder fortgesetzt werden. Dieser Eingang kann zum Anschluss an das BMS einer Lithium-Batterie verwendet werden, um den Ladevorgang bei Bedarf zu unterbrechen. Standardmäßig ist dieser Eingang „aktiv niedrig“ (< 1 V ist „Ein“ und > 3 V ist „Standby“). Über TBS Dashboard oder die Dashboard-App für Mobilgeräte lässt sich dieser jedoch auch auf „aktiv hoch“ einstellen. Die maximale Eingangsspannung beträgt 32 V.

Anschluss 3 ist ein Open-Kollektor-Ausgang, der unter anderem für das Anschließen einer ferngesteuerten Anzeigeleuchte herangezogen werden kann. Die maximale Schaltspannung und strom betragen 32 V bzw. 150 mA. Standardmäßig ist dieser Ausgang immer dann „aktiv niedrig“, wenn das Ladegerät in diesem Moment lädt ODER wenn der Ladevorgang abgeschlossen ist. Weitere aktive Zustände können im TBS Dashboard oder in der Dashboard-App für Mobilgeräte festgelegt werden.

Anschluss 4 ist künftigen Verwendungszwecken vorbehalten und daher noch keiner aktiven Funktion zugeordnet.

④ Einstellungen der DIP-Schalter



Mit den DIP-Schaltern 1 und 2 wird das gewünschte Ladeprogramm für die am Ausgang angeschlossene Batterie ausgewählt. Informationen dazu finden Sie in der nachstehenden Tabelle:

DIP1	DIP2	Batterietyp / Ladeprogramm ^{1) 2)}
'Off'	'Off'	Flüssig (Standardeinstellung) <i>Bulk/Abs Spannung = 14.4V (28.8V)</i> <i>Float Spannung = 13.5V (27.0V)</i>
'Off'	'On'	GEL <i>Bulk/Abs Spannung = 14.2V (28.4V)</i> <i>Float Spannung = 13.5V (27.0V)</i>
'On'	'Off'	AGM <i>Bulk/Abs Spannung = 14.7V (29.4V)</i> <i>Float Spannung = 13.6V (27.2V)</i>
'On'	'On'	LiFePo4 <i>Bulk/Abs Spannung = 14.4V (28.8V)</i> <i>Float Spannung = 13.8V (27.6V)</i>

¹⁾ Ladespannungen die in Klammern gesetzt sind, gelten für das Modell OCD 12/24-30

²⁾ Sämtliche der auf die Ladespannung bezogenen Standardwerte lassen sich mit TBS Dashboard und der Dashboard-App für Mobilgeräte konfigurieren.

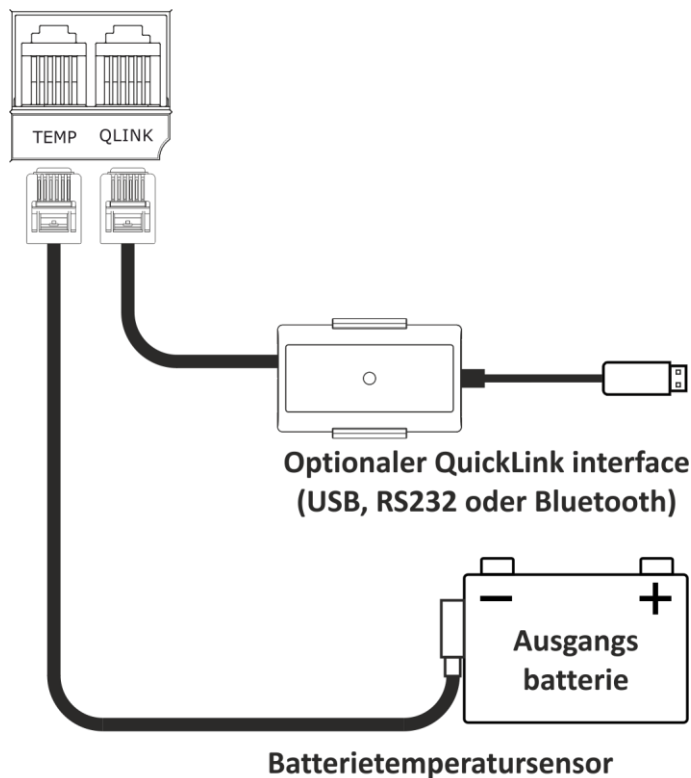
DIP-Schalter 3 ist künftigen Verwendungszwecken vorbehalten (standardmäßig ausgeschaltet)

Der DIP-Schalter 4 kann zur Umgehung des Eingangs der Ein/Aus-Steuerung verwendet werden (siehe Punkt 3 oben). Ist dieser DIP-Schalter auf „On“ (Standardeinstellung) gestellt, wird der Eingang der Ein/Aus-Steuerung überbrückt und das Ladegerät bleibt unabhängig vom Zustand des Eingangs durchgehend im Betrieb. Ist dieser DIP-Schalter dagegen auf „Off“ gestellt, wird das Ladegerät ausschließlich über den Eingang der Ein/Aus-Steuerung gesteuert. Diese Einstellung wird für Anwendungen in Fahrzeugen empfohlen, die über ein entsprechend geeignetes Motorlaufsignal verfügen.

 **VORSICHT**

Unzulässige Einstellungen bezüglich der Auswahl des Batterietyps können irreparable Schäden an Ihren Batterien und/oder den daran angeschlossenen Geräte hervorrufen. Informationen zur korrekten Einstellung der Ladespannungen finden Sie stets in den Ihrer Batterie beiliegenden Unterlagen.

- ⑤ In der folgenden Abbildung sind die verbleibenden Anschlussmöglichkeiten des Omnicarge DC-Batterieladegeräts aufgeführt.



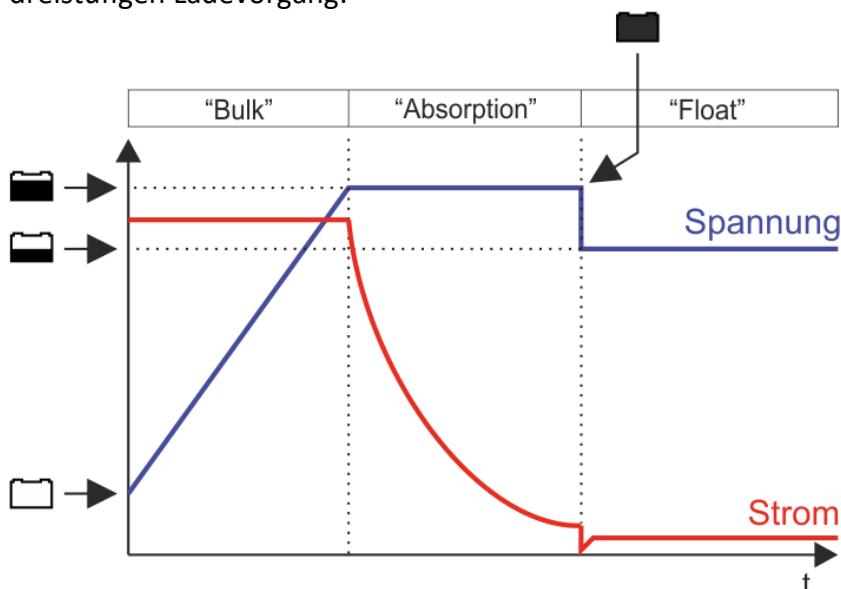
Mit den optionalen QuickLink-Kommunikationskits erhalten Sie die Möglichkeit, das Ladegerät über die TBS Dashboard-Software auf Ihrem Computer (über USB oder RS232) oder über die Dashboard-App für Mobilgeräte mit Betriebssystemen von iOS und Android (über Bluetooth) zu programmieren und zu überwachen.

Versäumen Sie es nicht, den Batterietempersensord stets an die Batterie anzuschließen, die gerade geladen wird (Batterie am Ausgangsanschluss). Das Ladegerät kompensiert die Ladespannung automatisch gegen die Batterietemperatur. Das bedeutet, dass die Ladespannung bei niedrigen Temperaturen etwas erhöht und bei höheren Temperaturen verringert wird (-30mV/°C bei 12V Ladegegeräten und -60mV/°C bei 24V Ladegegeräten). Auf diese Weise wird ein Überladen verhindert und folglich die Lebensdauer der Batterie verlängert. Bei Auswahl des LiFePo4-Ladeprogramms werden die Ladespannungen nicht gegen die Temperatur kompensiert. Der Temperatursensord wird jedoch weiterhin verwendet, um das Laden der Lithiumbatterie zu verhindern, wenn die Temperatur unter 0 °C gefallen ist.

3. GRUNDLEGENDE FUNKTIONEN

3.1 Der Ladevorgang

Alle wählbaren Ladeprogramme führen einen dreistufigen IUoUo-Ladevorgang durch, der sich aus den Phasen „Bulk“ (Hauptladung), „Absorption“ (Absorptionsladung) und „Float“ (Erhaltungsladung) zusammensetzt. Die nachstehende Abbildung veranschaulicht den dreistufigen Ladevorgang:



Wenn das Ladegerät eingeschaltet wird, beginnt es zunächst einmal in der sogenannten Bulk-Phase, also der Konstantstromladephase. In dieser Phase liefert das Ladegerät den vollen Ausgangsstrom und gibt bei Erreichen der Absorptionsspannung in der Regel etwa 80 % der Ladung an die Batterie zurück. Ist diese Spannung erreicht, wird die Absorptionsladephase eingeleitet. In dieser Phase werden die verbleibenden 20 % der

Ladung an die Batterie zurückgeführt. Die Ausgangsspannung wird dabei konstant gehalten und der Ladestrom nimmt in Abhängigkeit vom Ladezustand der Batterie stetig ab. Sobald der Ladestrom unter einen bestimmten Wert gefallen ist, wird die Erhaltungsladephase eingeleitet. Bei Lithiumbatterien wurden zu diesem Zeitpunkt bereits mehr als 80 % der Ladung an die Batterie zurückgeführt. Aufgrund Ihrer chemischen Zusammensetzung ist die Absorptionsladephase also von relativ kurzer Dauer.

In der Erhaltungsladephase „Float“ wird nun die Batteriespannung konstant auf einem für die Batterie sicheren Niveau gehalten. Die Batterie verbleibt dadurch solange in einem optimalen Ladezustand, wie sie mit dem sich in Betrieb befindlichen Ladegerät verbunden bleibt. Angeschlossene Batterien (Verbraucher) werden hierbei direkt über das Ladegerät mit Strom versorgt, bis das maximale Niveau des vom Ladegerät ausgegebenen Ladestroms erreicht ist.

3.2 Bedienung des Ladegeräts über den Eingang der Ein/Aus-Steuerung

Um das Ladegerät in Betrieb zu nehmen, muss, während sich der DIP-Schalter 4 in der Stellung „Off“ befindet, ein positives (hohes) Signal an den primären Eingang der Ein/Aus-Steuerung gesendet werden. Bei Anwendungen in Fahrzeugen handelt es sich hierbei in der Regel um das Motorlaufsignal (D+). Nach einer Verzögerung von wenigen Sekunden leitet das Ladegerät dann normalerweise den Ladevorgang ein. Es gibt jedoch noch eine zweite Voraussetzung, die erfüllt sein muss, bevor das Ladegerät mit der Einleitung des Ladevorgangs beginnt, und zwar handelt es sich dabei um den korrekten Pegel der Eingangsspannung. Die Eingangsspannung der Batterie muss dazu über einem bestimmten Niveau liegen, damit die sich am Ausgangsanschluss befindliche Batterie geladen werden kann. Diese Voraussetzung muss darüber hinaus für eine bestimmte Zeitspanne erfüllt sein. In der nachstehenden Tabelle finden Sie sämtliche der werkseitig voreingestellten Spannungs- und Zeitverzögerungswerte, die im Omnicharge DC-Ladegerät hinterlegt sind:

Parameter ¹⁾	Standardwert OCD 12/12-50	Standardwert OCD 12/24-30
Eingangsspannung beim Einschalten	> 12,5V	> 12,5V
Verzögerung	10 sec	10 sec
Eingangsspannung beim Ausschalten (langsam)	< 12,4V	< 12,4V
Verzögerung	3 min	3 min
Eingangsspannung beim Ausschalten (schnell)	< 12,0V	< 12,0V
Verzögerung	1 sec	1 sec

¹⁾ Alle Parameter lassen sich mit TBS Dashboard und der Dashboard-App für Mobilgeräte konfigurieren

Wie aus der obigen Tabelle ersichtlich ist, gibt es zwei Abschaltpegel für niedrige Eingangsspannungen. Die Werte bei einem „langsamen“ Ausschalten dürfen länger als bei einem „schnellen“ Ausschalten überschritten werden. Dadurch wird ein stabiler Ladevorgang gewährleistet und im selben Zug eine zu starke Tiefentladung der am Eingang angeschlossenen Batterie vermieden.

! VORSICHT

Sollte es der Fall sein, dass der primäre Eingang der Ein/Aus-Steuerung an die Zündung angeschlossen ist, anstatt mit einem Signal für den Motorlauf verbunden zu sein, und die für das Abschalten vorgesehenen Spannungspegel auf relativ niedrige Werte eingestellt sind, achten Sie bitte darauf den Motor rechtzeitig anzulassen, um eine zu starke Entladung der Starterbatterie zu vermeiden.

3.3 Bedienung des Ladegeräts ohne den Eingang der Ein/Aus-Steuerung

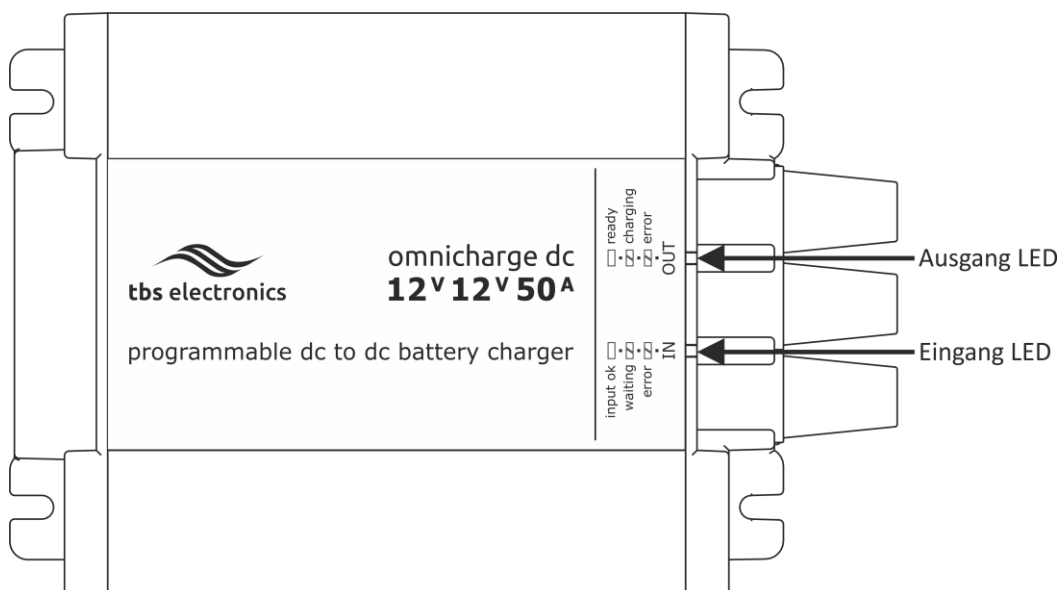
Ist kein Motorlaufsignal verfügbar oder soll das Ladegerät ständig aktiviert bleiben, muss der DIP-Schalter 4 auf „On“ gestellt werden. In diesem Modus gelten jedoch weiterhin die in der Tabelle unter Abschnitt 3.2 aufgeführten Voraussetzungen für die Eingangsspannung. Das bedeutet, das Ladegerät leitet erst nach Erfüllung besagter Voraussetzungen den Ladevorgang ein.

! VORSICHT

Bitte beachten Sie, dass das Ladegerät in diesem Dauerbetriebszustand auch dann einen geringen Strom (< 35 mA) aus der am Eingangsanschluss befindlichen Batterie zieht, wenn die Voraussetzungen für die zum Einschalten benötigte Eingangsspannung nicht erfüllt sind. Geschieht dies über einen längeren Zeitraum, kann das in einer vollständigen Entladung der sich am Eingangsanschluss befindlichen Batterie resultieren.

3.4 LED-Anzeigeleuchten

Omnicharge DC-Geräte sind sowohl an der Seite des Eingangsanschlusses als auch an der Seite Ausgangsanschlusses mit jeweils einer LED ausgestattet. Die genauen Positionen der LEDs können Sie der nachstehenden Abbildung entnehmen:



Die folgende Tabelle beschreibt alle möglichen Zustände der LED-Anzeigeleuchten und gibt Aufschluss über ihre Bedeutung:

LED	Status	Bedeutung
Eingangs-LED	Aus	Das Ladegerät ist ausgeschaltet
	Orange blinkend	Die Eingangsspannung ist zu niedrig oder die aus der Einschaltverzögerung resultierende Zeitspanne ist noch nicht abgelaufen
	Leuchtet grün	Alle Voraussetzungen bezüglich des Eingangs, die für die Einleitung des Ladevorgangs erforderlich sind, wurden erfüllt
	Rot blinkend	Fehler (Informationen dazu finden Sie in der LED-Fehlertabelle unten)
Ausgangs-LED	Aus	Das Ladegerät ist ausgeschaltet oder der Ladevorgang kann noch immer nicht eingeleitet werden, weil die Voraussetzungen bezüglich des Eingangs nicht erfüllt sind
	Grün blinkend	Der Ladevorgang läuft
	Leuchtet grün	Der Ladevorgang ist abgeschlossen (Erhaltungsladephase, „Float“)
	Rot blinkend	Fehler (Informationen dazu finden Sie in der LED-Fehlertabelle unten)

In der nachstehenden LED-Fehlertabelle erfahren Sie, welche Fehlerarten mit welchen LED-Blinksequenzen in Verbindung stehen:

Eingangs- LED	Ausgangs-LED	Fehlerart
Rot blinkend (blinkt 1-mal)		Eingangsspannung zu hoch
	Rot blinkend (blinkt 1-mal)	Ausgangsspannung zu hoch/niedrig, Batterietemperatur zu hoch/niedrig
	Rot blinkend (blinkt 2-mal)	Ausgang überlastet / Kurzschluss
	Rot blinkend (blinkt 3-mal)	Temperatur des Ladegeräts zu hoch

4. RICHTLINIEN ZUR FEHLERSUCHE

Bitte betrachten Sie die Tabelle unten, wenn Probleme mit der Omnicharge DC und/oder der Installation auftreten.

Problem	Mögliche Ursache	Abhilfe
Das Omnicharge DC-Ladegerät funktioniert nicht.	Es liegt keine Eingangsspannung an	Überprüfen Sie die Verkabelung und die Sicherung des Eingangs
	Die Eingangsspannung ist zu niedrig	Überprüfen Sie die Eingangsspannung, passen Sie ggf. die Einstellungen für die Eingangsspannung an und lassen Sie den Motor an
	Es wird kein positives Signal über das Kabel der primären Ein/Aus-Steuerung ausgegeben	Überprüfen Sie die Verkabelung, die Sicherungen und den Status des Motorlaufsignals
	Der BMS-Eingang weist ein positives Signal auf	Überprüfen Sie den BMS-Status der am Ausgangsanschluss angeschlossenen Batterie
	Die Batterie, die am Eingangsanschluss angeschlossen ist, ist in einem sehr schlechten Zustand	Ersetzen Sie die Batterie durch eine neue
Die Batterie wird nicht bis zur maximalen Kapazität aufgeladen.	Die Absorptionsladespannung wurde falsch eingestellt.	Überprüfen Sie, ob bei der Auswahl des Batterietyps die korrekte Einstellung vorgenommen wurde. Oder passen Sie die Absorptionsladespannung an.
	Der Ladestrom wurde falsch eingestellt.	Stellen Sie sicher, dass der maximal ausgegebene Ladestrom auf das Höchstniveau eingestellt ist (Prüfen Sie, ob ein solches Niveau vom Batteriehersteller zugelassen ist.).

	Die Batteriekabel und-/oder-Verbindungen weisen einen zu hohen Spannungsverlust auf.	Vergewissern Sie sich, dass die Batteriekabel einen ausreichend großen Durchmesser aufweisen. Überprüfen Sie, ob alle Gleichstromverbindungen sicher angeschlossen sind.
	Die zusätzlich angeschlossenen Verbraucher weisen während des Ladevorgangs einen zu hohen Strombedarf auf.	Trennen Sie alle an den Batterien angeschlossenen Verbraucher oder nehmen Sie diese außer Betrieb.
Der Ladestrom ist zu niedrig.	Es herrscht eine hohe Umgebungstemperatur vor.	Versuchen Sie, die Umgebungstemperatur um das Ladegerät zu senken.
	Das Ladegerät befindet sich in der Absorptionsladephase.	Unternehmen Sie nichts. Die Batterie ist fast vollständig geladen und verbraucht von selbst weniger Strom.
Die Ladespannung ist zu niedrig.	Die Ladespannung wird durch den Batterietempersensor kompensiert, um die Batterie vor Beschädigungen zu schützen.	Unternehmen Sie nichts oder versuchen Sie, die Umgebungstemperatur um die Batterie herum zu senken.
	Es wurde ein inkorrekt Batterietyp ausgewählt oder die Ladespannung muss angepasst werden.	Wählen Sie den korrekten Batterietyp oder passen Sie die Ladespannung im Konfigurationsmenü an.
	Die Gleichstromkabel sind zu dünn.	Installieren Sie Gleichstromkabel mit größerem Durchmesser. Informationen zu den Dimensionen der Gleichstromkabel finden Sie in der in Kapitel 2.3 aufgeführten Tabelle.
	Der benötigte Batterieladestrom ist höher als der vom Ladegerät ausgegebene Ladestrom.	Reduzieren oder trennen Sie die an den Batterien angeschlossenen Verbraucher.
LEDs blinken rot	Es wurde ein Fehler festgestellt	Informationen dazu finden Sie in der LED-Fehlertabelle in Abschnitt 3.4

Sollte keine der oben genannten Abhilfemaßnahmen zur Lösung des Problems beitragen, empfehlen wir Ihnen, sich für weitere Unterstützung und/oder eine mögliche Reparatur Ihres Omnicharge DC-Geräts an Ihren TBS-Händler vor Ort zu wenden. Zerlegen Sie das Ladegerät nicht selbst, da Ihre Garantieansprüche erlöschen.

5. TECHNISCHE SPEZIFIKATIONEN

Parameter	OCD 12/12-50	OCD 12/24-30
Eingangsnennspannung	12Vdc	
Eingangsspannungsbereich	10.0 – 16.0Vdc	
Maximaler Eingangsstrom	65Adc	
Stromverbrauch (außer Betrieb)	< 0.25mA	
Stromverbrauch (kein Verbraucher/in Standby)	< 35mA	< 45mA
Ausgangsnennspannung	12Vdc	24Vdc
Ausgangsspannungsbereich	12.0 – 16.0Vdc	24.0 – 32.0Vdc
Maximaler Ausgangsstrom ¹⁾	50A	30A
Ladekennlinie	IUoUo, intelligentes 3-Stufe, Temp. Kompensiert	
Unterstützte Batterietypen ²⁾	Flüssig / Gel / AGM / LiFePO4	
Betriebstemperaturbereich	-20°C ... +60°C	
Lagertemperaturbereich	-30°C ... +70°C	
Kühlung	Lüfter mit variabler Drehzahl	
Kommunikationsschnittstelle	QuickLink	
Anschluss für Temperatursensor	Ja (Sensor inkl.)	
Motorlauf / Ein-/Aus-Steuereingang	Ja (> 2.0Vdc = aktiv und < 1.0Vdc = inaktiv)	
BMS-Eingangsanschluss	Ja (> 3.0Vdc = Stand-by und < 1.0Vdc = Aktiv)	
Statusausgangsport	Ja (open Koll., 32Vdc / 150mA max, fünf zuweisbare Statustypen)	
Schutzvorrichtungen gegen	Niedrige/Hohe Eingangsspannung, Übertemperatur, Kurzschluss am Ausgang und Verpolung (Ein- und Ausgang)	
Anzeigen	Eingangsstatus, Ausgangsstatus (Ladezustand), Fehler	
Batterieanschlüsse	3x M6-Schrauben	
Abmessungen (L x B x H)	70 x 128 x 170mm	
Gewicht	1.2kg	
Schutzklasse	IP21	
Normen	EMC: 2014/30/EU, Low voltage directive: 2014/35/EU, RoHS: 2011/65/EU, Automotive: EN50498 („E“ pending)	

Anmerkung: Änderungen der o.g. Daten jederzeit vorbehalten.

¹⁾ Die maximale Toleranz bezüglich des Ausgangsstroms beträgt +/-10 %. Bei höheren Umgebungstemperaturen (>40 °C) kann der maximal ausgegebene Ladestrom automatisch reduziert werden.

²⁾ Auswählbar mit DIP-Schalter. Alle Standard-Ladespannungen können über die Dashboard-Apps programmiert werden.



Richten Sie sich bitte nach den geltenden Bestimmungen in Ihrem Land, und entsorgen Sie Altgeräte nicht über Ihren Haushaltsabfall. Durch die Korrekte Entsorgung Ihrer Altgeräte werden Umwelt und Menschen vor möglichen negativen Folgen geschützt.

6. GARANTIE / HAFTUNGSBESCHRÄNKUNG

TBS Electronics (TBS) gibt eine 24-monatige Garantie auf einwandfreie Beschaffenheit der Materialien und Ausführung Ihres Produkt. Die Garantiezeit läuft ab Kaufdatum. Während dieser 24 Monate repariert TBS Ihren defekten Product kostenlos. Transportkosten allerdings werden nicht übernommen.

Dieser Garantieanspruch verfällt, wenn das Produkt außen oder innen körperliche Beschädigungen oder Veränderungen aufweist. Ferner gilt die Garantie nicht für Beschädigungen, die auf eine unsachgemäße Verwendung¹⁾, oder die Verwendung in einem ungeeigneten Umfeld zurückzuführen sind.

Die Garantie kommt nicht zum Tragen, wenn das Produkt falsch benutzt, vernachlässigt, unsachgemäß installiert oder von einem anderen als dem TBS repariert wurde. Der Hersteller kann nicht für eventuelle Verluste, Beschädigungen oder Kosten, die mit einer unsachgemäßen Verwendung, einer Verwendung in einer ungeeigneten Umgebung, einer unsachgemäßen Installation oder einer Funktionsstörung des Produkts in Zusammenhang stehen, verantwortlich gemacht werden.

Da der Hersteller den Gebrauch und die Montage (gemäß lokaler Bestimmungen) von TBS-Produkten nicht kontrollieren kann, ist der Kunde für den eigentlichen Gebrauch von TBS-Produkten immer selbst verantwortlich. TBS-Produkte sind nicht vorgesehen für die Verwendung als kritische Komponenten in Geräten zur Lebenserhaltung oder in Systemen, die möglicherweise Menschen verletzen und/oder die Umwelt schädigen können. Beim Einsatz von TBS-Produkten für derartige Anwendungen ist der Kunde immer selbst verantwortlich. Der Hersteller übernimmt keine Haftung für eventuelle Verletzungen von Patentrechten oder von anderen Rechten dritter, die sich aus dem Gebrauch des TBS-Produkts ergeben könnten. Der Hersteller behält sich das Recht vor Produktspezifizierungen ohne Vorankündigung zu ändern.

¹⁾ Beispiele für unsachgemäßen Gebrauch sind :

- Verwendung zu hoher Eingangsspannungen
- Umgekehrte Verbindung der Batteriepole
- Mechanische Überlastung des Gehäuses oder Innenteile
- Anschluss falscher Batterien (zu hohe Batteriebspnungen)
- Kontakt mit Flüssigkeiten oder Oxidation verursacht durch Kondensation

7. KONFORMITÄTSERKLÄRUNG

Siehe Seite 20.

SOMMAIRE

1. INTRODUCTION	57
1.1 Utilisation prévue du produit	57
1.2 Informations de sécurité importantes	57
2. INSTALLATION	59
2.1 Déballage	59
2.2 Montage	59
2.3 Détails de câblage.....	60
3. FONCTIONNALITÉ GÉNÉRALE	65
3.1 Explication des programmes de charge	65
3.2 Fonctionnement du chargeur à l'aide de l'entrée de commande On/Off principale	66
3.3 Fonctionnement du chargeur sans l'entrée de commande On/Off principale.....	67
3.4 Indicateurs LED	67
4. GUIDE DE DÉPANNAGE	68
5. CARACTÉRISTIQUES TECHNIQUES.....	70
6. CONDITIONS DE GARANTIE	71
7. DÉCLARATION DE CONFORMITÉ	71

1. INTRODUCTION

Nous vous remercions pour l'achat de votre chargeur de batterie Omnicharge DC TBS Electronics (TBS). Veuillez lire ce mode d'emploi contenant des informations sur l'utilisation correcte et sécurisée du produit. Conservez ce mode d'emploi et toute la documentation incluse à proximité du produit pour un usage ultérieur. Pour la version la plus récente, veuillez consulter la section Téléchargements sur notre site web.

Ce mode d'emploi et le guide d'installation visent à fournir des explications et à présenter les procédures d'installation, de configuration et de fonctionnement du chargeur de batterie. Les consignes d'installation sont destinées aux installateurs qui doivent avoir les connaissances et l'expérience nécessaires pour installer des équipements électriques, connaître les codes d'installation en vigueur et être informés des risques impliqués dans l'exécution de travaux d'électricité et de la manière d'éviter ces risques.

1.1 Utilisation prévue du produit

Les chargeurs de batterie Omnicharge DC sont principalement destinés à charger une batterie auxiliaire ou de service à partir d'une batterie de démarrage de véhicule. La tension de la batterie d'entrée peut être supérieure, inférieure ou égale à la tension de la batterie de sortie. Un chargeur Omnicharge DC permet à la batterie auxiliaire d'être parfaitement chargée quelle que soit la tension d'entrée, tout en étant protégée contre les dommages dus aux pics de tension.

Les chargeurs de batterie Omnicharge DC sont compatibles avec les véhicules équipés d'alternateurs intelligents à sortie variable (EUR 6+). Le chargeur Omnicharge DC peut commencer à charger sur la base d'une plage de tension d'entrée programmable uniquement, ou en combinaison avec un signal de fonctionnement du moteur. Il y a aussi une entrée de commande séparée (BMS-) disponible qui permet un contrôle externe pour chargeur activé et en veille.

1.2 Informations de sécurité importantes

Cette section contient des informations importantes en matière de sécurité pour le chargeur de batterie Omnicharge. Avant chaque utilisation du chargeur de batterie Omnicharge, lisez toutes les instructions et les mises en garde apposées ou fournies avec le chargeur de batterie, et toutes les sections appropriées de ce guide. Le chargeur de batterie Omnicharge ne contient aucune pièce qui puisse être réparée par l'utilisateur. L'ouverture du chargeur de batterie annulera la garantie du produit.



AVERTISSEMENT

RISQUE D'INCENDIE ET/OU DE BRÛLURE CHIMIQUE

Ne recouvrez pas ou n'obstruez pas les ouvertures des événements d'air et/ou n'installez pas dans un compartiment sans espace libre.



AVERTISSEMENT

RISQUE DE CHOC ÉLECTRIQUE. TENIR HORS DE PORTÉE DES ENFANTS !
Évitez les infiltrations d'humidité. N'exposez jamais l'unité à la neige, à l'eau, etc.



AVERTISSEMENT

LE NON-RESPECT DE CES INSTRUCTIONS PEUT ENTRAÎNER LA MORT OU DES BLESSURES GRAVES :

1. Lorsque vous travaillez avec des équipements électriques ou des batteries au plomb, soyez toujours accompagné de quelqu'un en cas d'urgence.
2. Étudiez et suivez toutes les précautions spécifiques du fabricant de la batterie lors de l'installation, de l'utilisation et de l'entretien de la batterie connectée au chargeur.
3. Portez une protection oculaire et des gants.
4. Évitez de toucher vos yeux quand vous utilisez cet appareil.
5. Gardez de l'eau fraîche et du savon à portée de main dans le cas où l'acide de la batterie viendrait en contact avec les yeux. Si cela se produit, nettoyez immédiatement avec de l'eau et du savon pendant au moins 15 minutes et consultez un médecin.
6. Les batteries produisent des gaz explosifs. NE fumez PAS et NE provoquez PAS des étincelles ou des flammes nues près du système.
7. Ne tentez jamais de recharger une batterie endommagée, gelée ou non rechargeable.
8. Gardez l'appareil loin des endroits humides ou moites.
9. Évitez de laisser tomber un outil ou un objet métallique sur la batterie. Cela pourrait créer une étincelle ou un court-circuit qui traverserait la batterie ou un autre outil électrique, susceptible de créer une explosion.
10. Le boîtier du chargeur ne contient aucune pièce réparable par l'utilisateur.



AVERTISSEMENT

RISQUE D'EXPLOSION !
N'utilisez pas le chargeur de batterie à proximité de gaz ou de vapeurs inflammables.



ATTENTION

LIMITES D'UTILISATION

N'utilisez pas avec des systèmes de survie ou d'autres équipements ou appareils médicaux.

Ce chargeur de batterie ne doit pas être utilisé par des personnes ayant des capacités physiques ou mentales réduites ou manquant d'expérience ou de connaissances. Les enfants ne sont pas autorisés à faire fonctionner ou à utiliser cet équipement.

2. INSTALLATION

2.1 Déballage

L'emballage du chargeur doit contenir les éléments suivants :

- Chargeur de batterie
- 3x passe-câble en caoutchouc
- Capteur de température de la batterie (3 m)
- Mode d'emploi
- 3x cosse à sertir M6

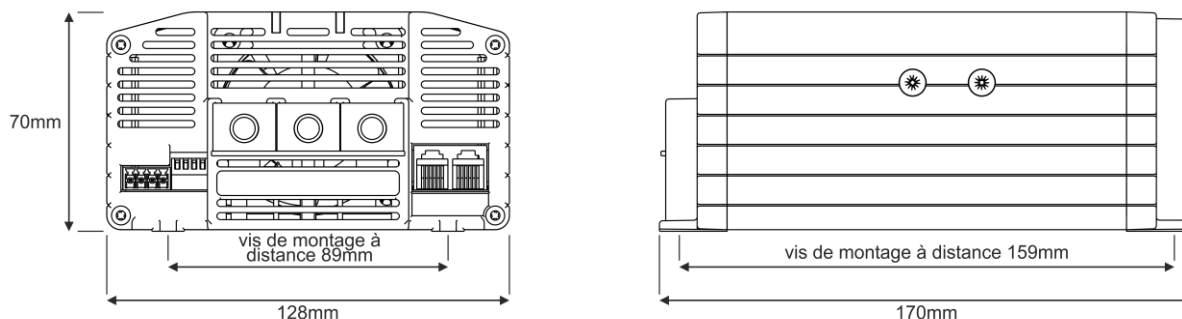


ATTENTION

Après le déballage, vérifiez si le produit présente des dommages mécaniques. N'utilisez jamais le produit lorsque le boîtier présente des dommages visuels causés par une manipulation brutale, ou lorsqu'il est accidentellement tombé. Contactez votre fournisseur local pour plus d'informations.

2.2 Montage

Veuillez consulter l'image ci-dessous pour la méthode de montage et les distances des vis de montage appropriées.

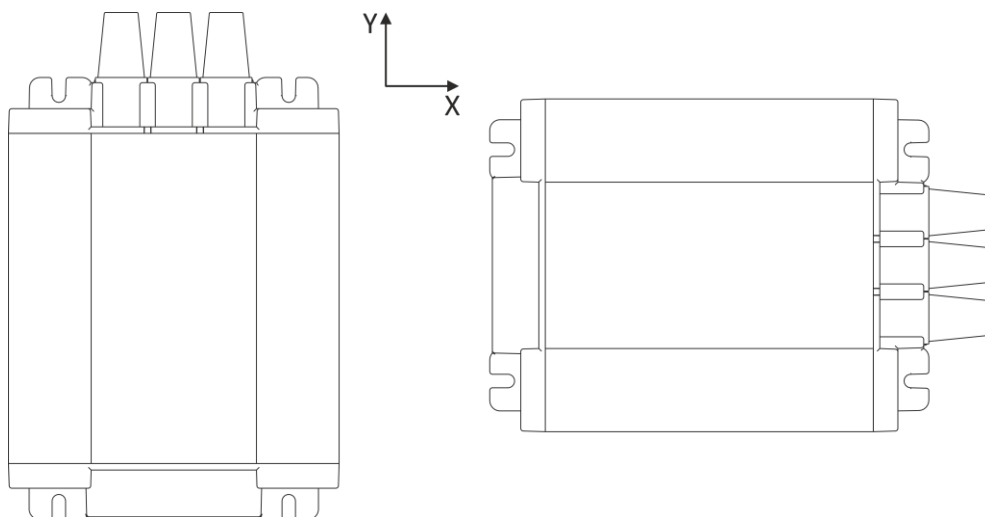


Autres détails de montage :

1. Choisissez un emplacement de montage approprié dans une pièce bien ventilée et protégée de la pluie, de la neige, des vaporisations, de la vapeur, de l'humidité et de la poussière.
2. Assurez-vous que la température ambiante est comprise entre -20 °C et $+60\text{ °C}$. Au-dessus de $+40\text{ °C}$, le chargeur réduit automatiquement la puissance de sortie.
3. N'exposez pas le chargeur à une source de chaleur (comme la lumière directe du soleil ou un chauffage). Évitez le chauffage supplémentaire du produit. Évitez également l'exposition du chargeur à des vibrations excessives.
4. N'installez jamais le chargeur dans un environnement où il y a un risque d'explosion de gaz ou de poussière, comme dans le même compartiment que les batteries ou directement au-dessus des batteries ventilées.

5. Si vous installez le chargeur horizontalement (montage au sol), n'importe quel sens de montage est acceptable.

Si vous l'installez à la verticale, veuillez respecter les orientations de boîtier préférables suivantes :



ATTENTION

Gardez un espace libre d'au moins 10 cm autour de ce produit pour le refroidissement !

2.3 Détails de câblage



AVERTISSEMENT

Pour la sécurité de l'utilisateur lors de l'installation, assurez-vous que la sortie de la source d'alimentation est désactivée (retirez temporairement les fusibles des porte-fusibles) et qu'aucun consommateur n'est connecté aux batteries.



ATTENTION

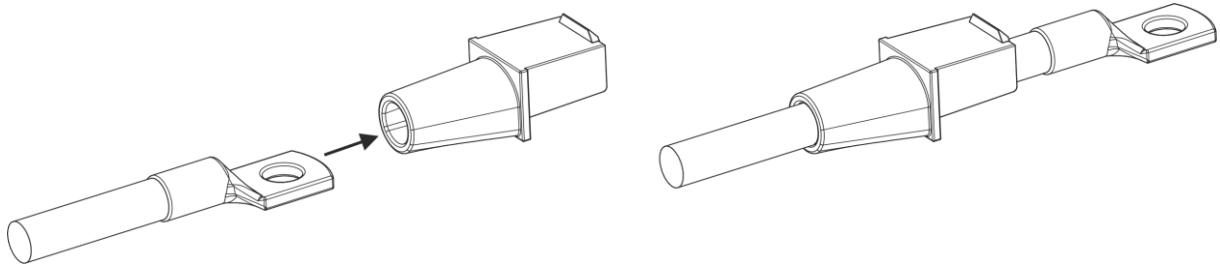
Veuillez vérifier si les tensions de la batterie correspondent aux spécifications du modèle de chargeur utilisé.



ATTENTION

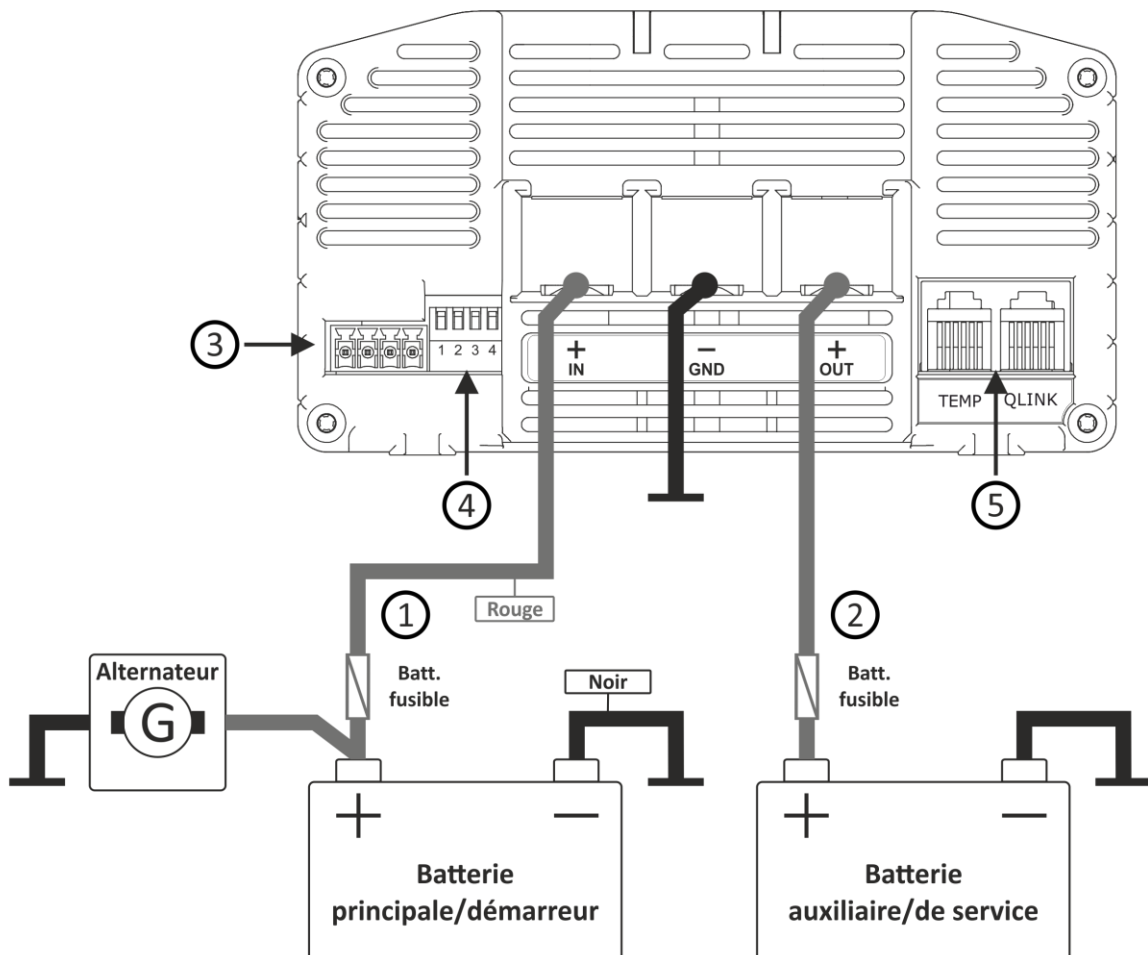
Raccordez toujours la masse (- GND) d'abord, puis la batterie de service (+ OUT) et enfin la batterie du démarreur (+ IN).

Avant de brancher les câbles DC principaux, assurez-vous de faire glisser les passes-câbles en caoutchouc inclus sur ces câbles comme indiqué dans l'image suivante.



Lorsque les câbles DC sont raccordés au chargeur, les passe-câbles en caoutchouc peuvent être glissés vers le panneau avant du chargeur jusqu'à ce que les connexions à vis soient complètement recouvertes.

Veillez consulter l'image ci-dessous pour plus de détails sur le câblage.



- ① Veillez consulter le tableau suivant pour déterminer les bons types de câbles de batterie d'entrée et de fusibles pour chaque modèle. L'utilisation d'un câble plus petit ou plus long entraînera des pertes supplémentaires et les batteries peuvent être insuffisamment rechargées. Il y a un risque d'incendie et de brûlure si les câbles de

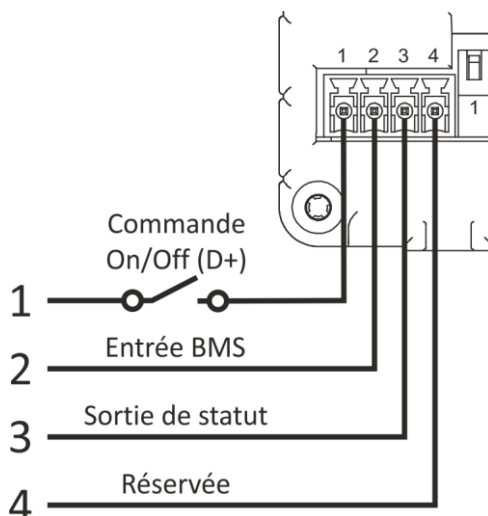
batterie ne sont pas suffisamment dimensionnés pour le courant prévu. La longueur du câble doit être aussi courte que possible !

Modèle	Taille minimale du câble	Taille de câble recommandée	Batterie fusible (type rapide)
OCD 12/12-50	16mm ² (AWG6)	25mm ² (AWG4)	70-90Amp
OCD 12/24-30	16mm ² (AWG6)	25mm ² (AWG4)	70-90Amp

- ② Veuillez consulter le tableau suivant pour déterminer les bons types de câbles de batterie de sortie et de fusibles pour chaque modèle. L'utilisation d'un câble plus petit ou plus long entraînera des pertes supplémentaires et les batteries peuvent être insuffisamment rechargées. Il y a un risque d'incendie et de brûlure si les câbles de batterie ne sont pas suffisamment dimensionnés pour le courant prévu. La longueur du câble doit être aussi courte que possible !

Modèle	Taille minimale du câble	Taille de câble recommandée	Batterie fusible (type rapide)
OCD 12/12-50	16mm ² (AWG6)	25mm ² (AWG4)	60-80Amp
OCD 12/24-30	10mm ² (AWG8)	16mm ² (AWG6)	40-50Amp

- ③ Veuillez consulter l'image ci-dessous pour les emplacements de connexion du fil de commande.



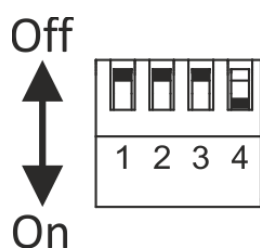
La connexion 1 est l'entrée de commande On/Off principale et ne peut être utilisée que lorsque le commutateur DIP 4 est réglé sur Off. Cette entrée peut être utilisée pour activer ou désactiver le chargeur, et elle est « activée sur haut ». Lorsqu'une tension supérieure à 2V est appliquée à cette entrée, le chargeur est activé. Lorsqu'une tension inférieure à 1V est appliquée, le chargeur est désactivé et tire un courant nul. La tension d'entrée maximale est de 32V. Dans une application de véhicule, il est recommandé de connecter cette entrée au signal de fonctionnement du moteur. Contactez votre concessionnaire automobile pour connaître la connexion la plus appropriée.

La connexion d'entrée BMS 2 peut être utilisée pour forcer le chargeur en mode veille. Dans ce mode, le chargeur arrête la charge, mais les circuits internes restent actifs pour reprendre immédiatement la charge une fois à nouveau autorisé. Cette entrée peut être utilisée pour se connecter à une BMS batterie Lithium afin d'arrêter le processus de charge si nécessaire. Par défaut, cette entrée est « activée sur bas » (< 1V est activé et > 3V est en veille), mais cela peut être changé en « activée sur haut » aussi par le TBS Dashboard ou l'application Dashboard Mobile. La tension d'entrée maximale est de 32V.

La connexion 3 est une sortie à collecteur ouvert qui peut être utilisée par exemple pour se connecter à un voyant distant. La tension et le courant de commutation maximum sont respectivement 32V et 150mA. Par défaut, cette sortie est active (basse) lorsque le chargeur est en charge OU lorsque la charge est terminée. D'autres conditions actives peuvent être sélectionnées dans le TBS Dashboard ou l'application Dashboard Mobile

La connexion 4 est réservée à une utilisation future et n'a pas encore de fonctionnalité active.

④ Paramètres du commutateur DIP



Les commutateurs DIP 1 et 2 sont utilisés pour sélectionner le programme de charge souhaité pour la batterie de sortie connectée. Consulter le tableau ci-dessous :

DIP1	DIP2	Type de Batterie ^{1) 2)}
Off	Off	Liquide (défaut) <i>Tens. d'absorption = 14.4V (28.8V)</i> <i>Tens. d'entretien = 13.5V (27.0V)</i>
Off	On	GEL <i>Tens. d'absorption = 14.2V (28.4V)</i> <i>Tens. d'entretien = 13.5V (27.0V)</i>
On	Off	AGM <i>Tens. d'absorption = 14.7V (29.4V)</i> <i>Tens. d'entretien = 13.6V (27.2V)</i>
On	On	LiFePo4 <i>Tens. d'absorption = 14.4V (28.8V)</i> <i>Tens. d'entretien = 13.8V (27.6V)</i>

¹⁾ Les valeurs de tension de charge entre parenthèses concernent le modèle OCD 12/24-30.

²⁾ Toutes les valeurs de tension de charge standard sont configurables à l'aide du TBS Dashboard ou de l'application Dashboard Mobile.

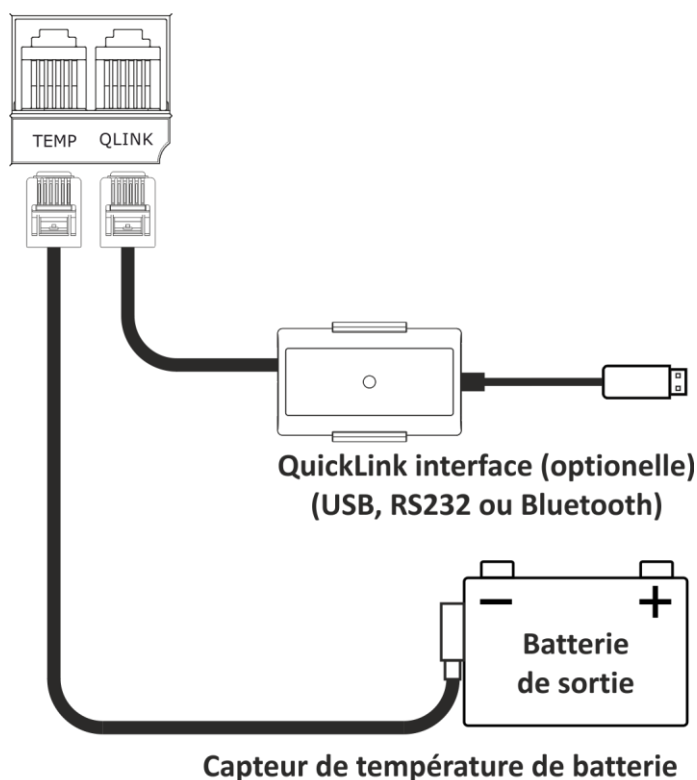
Le commutateur DIP 3 est réservé à une utilisation future (désactivé par défaut).

Le commutateur DIP 4 peut être utilisé pour contourner l'entrée de commande On/Off (voir point 3 ci-dessus). Lorsque ce commutateur DIP est réglé sur On (réglage par défaut), l'entrée de commande On/Off est contournée et le chargeur fonctionne toujours, indépendamment de l'état de l'entrée de commande. Lorsque ce commutateur DIP est réglé sur Off, le chargeur est contrôlé par l'entrée de commande On/Off. Ce réglage est recommandé pour les applications de véhicules avec un signal de fonctionnement du moteur approprié.

 **ATTENTION**

Des réglages de type de batterie non valides peuvent gravement endommager vos batteries et/ou vos charges de batteries connectées. Consultez toujours la documentation de votre batterie pour connaître les réglages de la tension de charge.

- ⑤ L'image suivante montre les options de connexion restantes du chargeur de batterie Omnicharge DC.



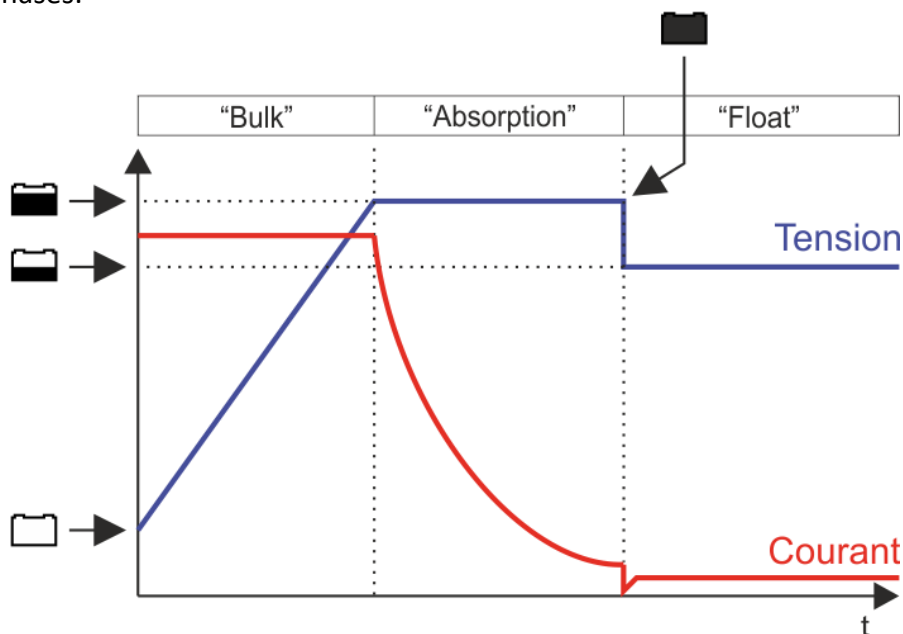
Les Kits de communication QuickLink en option permettent de programmer le chargeur et de le surveillé à l'aide du logiciel de TBS Dashboard sur PC (via USB ou RS232) ou l'application Dashboard Mobile sur les plates-formes iOS et Android (via Bluetooth).

Connectez toujours le capteur de température de la batterie à la batterie qui est en cours de charge (batterie de sortie). Le chargeur compense automatiquement les tensions de charge par rapport à la température de la batterie. Les tensions de charge augmentent légèrement à des températures plus basses et diminuent à des températures plus élevées (-30mV/°C à des chargeurs de 12V et -60mV/°C à des chargeurs de 24V). De cette façon, le phénomène de surcharge est évité, ce qui prolonge la durée de vie de votre batterie. Il n'y a pas de compensation de tension de charge pour les types de batterie au lithium.

3. FONCTIONNALITÉ GÉNÉRALE

3.1 Explication des programmes de charge

La plupart des programmes de charges standards sélectionnables effectuent un processus de charge IUoUo en trois phases comprenant les phases « Bulk » (puissance max), « Absorption » et « Float » (entretien). L'image ci-dessous présente le processus de charge en quatre phases:



Lorsque le chargeur est activé, il commencera en mode « Bulk ». Dans la phase « Bulk », le chargeur délivre un courant de sortie total et renvoie généralement environ 80 % de la charge dans la batterie une fois la tension d'absorption atteinte. Lorsque cette tension a été atteinte, la phase « Absorption » est activée. Cette phase permet de restituer les 20 % restants de la charge à la batterie. La tension de sortie est maintenue à un niveau constant et le courant de charge diminue en fonction de l'état de charge de la batterie. Lorsque le courant de charge est tombé en dessous d'une certaine valeur, la phase « Float » est activée. Pour les batteries au lithium, plus de 80 % de la charge ont déjà été renvoyés à la batterie. Ainsi, pour ce composant chimique, la phase « Absorption » sera relativement courte.

Pendant la phase « Float », la tension de la batterie sera maintenue constante à un niveau de sécurité pour la batterie. Elle maintiendra la batterie dans un état optimal aussi longtemps que la batterie reste connectée au chargeur activé. Les charges de la batterie connectée seront directement alimentées par le chargeur jusqu'au niveau de courant de sortie maximum du chargeur.

3.2 Fonctionnement du chargeur à l'aide de l'entrée de commande On/Off principale

Pour activer le chargeur, un signal positif (Haut) doit être appliqué à l'entrée de la commande principale On/Off tandis que le commutateur DIP 4 doit être en position Off. Dans une application de véhicule, il s'agit généralement du signal de fonctionnement du moteur. Après un court délai de quelques secondes, le chargeur doit normalement commencer le processus de charge. Il y a cependant une deuxième condition qui doit être remplie avant que le chargeur ne puisse commencer le processus de charge, et c'est le niveau de tension d'entrée. La tension de la batterie d'entrée doit être supérieure à un certain niveau afin de permettre à la batterie de sortie d'être chargée. De plus, cette condition doit également être remplie pendant une durée prédéfinie. Veuillez consulter le tableau ci-dessous indiquant toutes les valeurs de tension et de délai par défaut stockées dans le chargeur Omnicharge DC:

Paramètre ¹⁾	Valeur par défaut OCD 12/12-50	Valeur par défaut OCD 12/24-30
Tension d'entrée d'activation	> 12,5 V	> 12,5 V
Délai	10 secondes	10 secondes
Tension d'entrée de désactivation (lente)	< 12,4 V	< 12,4 V
Délai	3 minutes	3 minutes
Tension d'entrée de désactivation (rapide)	< 12,0 V	< 12,0 V
Délai	1 seconde	1 seconde

¹⁾ Tous les paramètres sont configurables à l'aide du TBS Dashboard et des applications Dashboard Mobile

Comme on peut le voir dans le tableau ci-dessus, il y a deux niveaux de désactivation de tension d'entrée. Le niveau de désactivation « lent » peut être dépassé plus longtemps que le niveau de désactivation « rapide ». Il en résulte un processus de charge stable tout en évitant que la batterie d'entrée soit trop profondément déchargée.

ATTENTION

Si l'entrée de commande On/Off principale est connectée au contact au lieu d'un signal de fonctionnement du moteur, alors que les niveaux de tension d'entrée de désactivation sont réglés sur des valeurs relativement basses, assurez-vous de démarrer le moteur en temps opportun pour éviter de trop décharger la batterie du démarreur.

3.3 Fonctionnement du chargeur sans l'entrée de commande On/Off principale

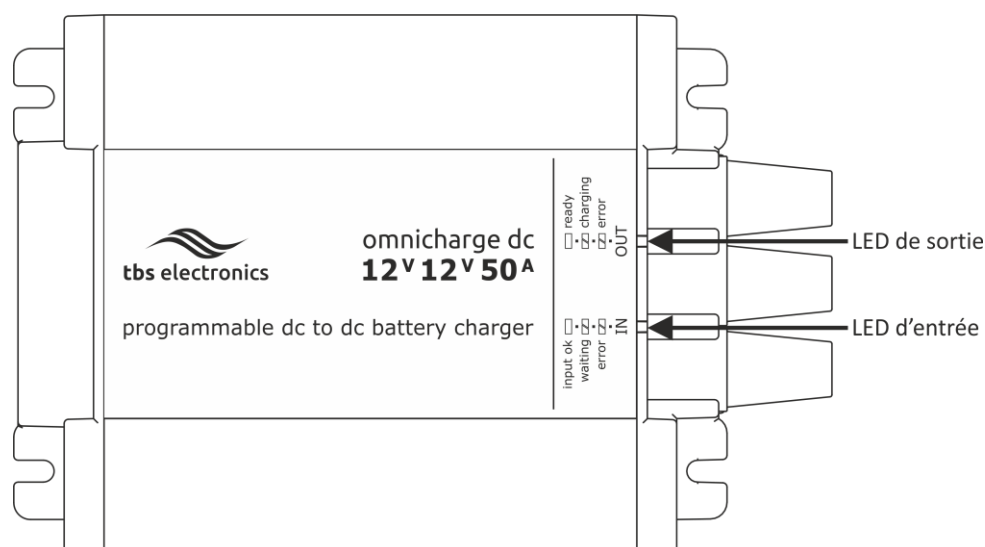
Lorsqu'il n'y a pas de signal de fonctionnement du moteur disponible ou lorsque le chargeur doit toujours rester activé, le commutateur DIP 4 doit être réglé sur ON. Dans ce mode, cependant, les conditions de tension d'entrée indiquées dans le tableau du chapitre 3.2 s'appliquent toujours. Ainsi le chargeur ne commencera à charger que lorsque ces conditions sont remplies.

! ATTENTION

Veuillez noter que dans ce mode toujours activé, le chargeur continuera à tirer un faible courant (< 35mA) de la batterie d'entrée, même si la condition de tension d'entrée d'activation n'a pas été remplie. Cela pourrait entraîner la décharge de la batterie d'entrée si elle est autorisée pendant une période prolongée.

3.4 Indicateurs LED

Les unités Omnicharge DC sont équipées d'indicateurs LED distincts pour l'entrée et la sortie. Consulter l'image ci-dessous pour l'emplacement de ces LED :



Le tableau ci-dessous explique toutes les conditions disponibles des LED :

LED	Statut	Explication
LED d'entrée	Désactivée	Chargeur désactivé
	Clignotement orange	Tension d'entrée trop basse ou le délai d'activation n'a pas encore expiré
	Vert fixe	Toutes les conditions d'entrée sont OK pour la charge
	Clignotement rouge	Erreur (voir le tableau d'erreurs de LED ci-dessous)
LED de sortie	Désactivée	Chargeur désactivé ou la charge est toujours bloquée par des conditions d'entrée qui ne sont pas remplies

	Clignotement vert	Chargement en cours
	Vert fixe	Charge terminée (phase « Float »)
	Clignotement rouge	Erreur (consulter le tableau d'erreurs de LED ci-dessous)

Le tableau des erreurs de LED ci-dessous explique quels types d'erreurs sont liés à quelles séquences de clignotement de LED :

LED d'entrée	LED de sortie	Type d'erreur
Clignotement rouge (1 clignotement)		Surtension d'entrée
	Clignotement rouge (1 clignotement)	Surtension de sortie, sous-tension de sortie, température de la batterie trop basse ou trop élevée
	Clignotement rouge (2 clignotements)	Surcharge de sortie/court-circuit
	Clignotement rouge (3 clignotements)	Haute température du chargeur

4. GUIDE DE DÉPANNAGE

Veuillez consulter le tableau ci-dessous si vous rencontrez des problèmes avec le chargeur de batterie Omnicharge² et/ou son installation.

Problème	Cause possible	Solution
Le chargeur Omnicharge DC ne fonctionne pas du tout.	Aucune tension d'entrée	Vérifier le câblage et le fusible d'entrée
	Tension d'entrée est trop basse	Vérifier la tension d'entrée, ajuster les paramètres de tension d'entrée, démarrer le moteur
	Aucun signal positif sur le fil de commande principal On/Off	Vérifier le câblage, les fusibles et l'état du signal de fonctionnement du moteur
	Signal positif sur l'entrée BMS	Vérifier le statut BMS de batterie de sortie
	Très mauvais état de la batterie d'entrée	Remplacer la batterie
La batterie n'est pas rechargée jusqu'à sa capacité maximum.	Mauvais réglage de la tension de charge d'absorption.	Vérifiez si le réglage de la sélection du type de batterie est correct. Ou réglez la tension d'absorption.
	Réglage incorrect du courant de charge.	Assurez-vous que le réglage du courant de sortie maximum est au niveau maximum (vérifiez si cela est

		autorisé par le fabricant de la batterie).
	Perte de tension trop importante dans les câbles de batterie et/ou les connexions.	Assurez-vous que les câbles de la batterie ont un diamètre suffisant. Vérifiez si toutes les connexions DC sont solidement fixées.
	Des charges supplémentaires de la batterie consomment trop de courant pendant la charge.	Désactivez ou déconnectez toutes les charges de la batterie.
Le courant de charge est trop faible.	Température ambiante élevée.	Essayez d'abaisser la température ambiante autour du chargeur.
	Le chargeur fonctionne dans la phase de charge d'absorption.	Ne faites rien. La batterie est presque entièrement chargée et consomme moins de courant par elle-même.
La tension de charge est trop basse.	La tension de charge est compensée par le capteur de température de la batterie pour protéger la batterie.	Ne faites rien ou essayez de refroidir la température ambiante autour de la batterie.
	Mauvais type de batterie sélectionné, ou la tension de charge doit être ajustée.	Sélectionnez le type de batterie approprié ou réglez la tension de charge dans le menu de configuration.
	Câbles DC trop minces.	Installez de plus gros câbles DC. Voir le tableau des dimensions des câbles DC au chapitre 2.3.
	Le courant de charge de la batterie est plus élevé que le courant de sortie du chargeur.	Réduisez ou retirez la charge de la batterie.
Les LED clignotent en rouge	Erreur détectée	Vérifier le tableau des erreurs de LED au chapitre 3.4

Si aucune des solutions ci-dessus ne peut vous aider à résoudre le problème que vous rencontrez, il est préférable de contacter votre distributeur TBS local pour obtenir de l'aide et/ou une éventuelle réparation de votre unité Omnicharge DC. Ne démontez pas le chargeur vous-même, il y a des tensions dangereusement élevées à l'intérieur et cela annulera également votre garantie.

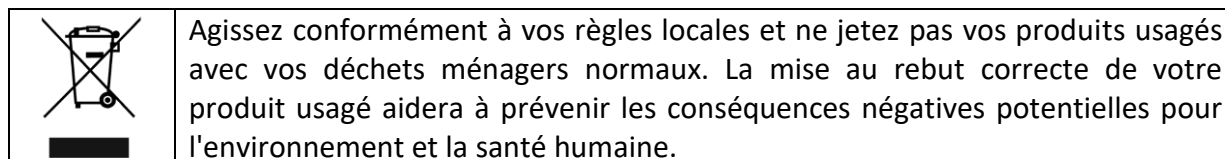
5. CARACTÉRISTIQUES TECHNIQUES

Paramètre	OCD 12/12-50	OCD 12/24-30
Tension d'entrée nominale	12Vdc	
Plage de tensions d'entrée	10.0 – 16.0Vdc	
Courant d'entrée maximal	65Adc	
Consom. de courant (inactif)	< 0.25mA	
Consommation de courant (sans charge/en veille)	< 35mA	< 45mA
Tension de sortie nominale	12Vdc	24Vdc
Plage de tensions de sortie	12.0 – 16.0Vdc	24.0 – 32.0Vdc
Courant de sortie maximal ¹⁾	50A	30A
Caractéristique de charge	IUoUo, intelligente 3-phases, temp. Compensée	
Types de batteries admises ²⁾	Liquide / Gel / AGM / LiFePO4	
Températures d'exploitation	-20°C ... +60°C (humidité max. 90 %, sans cond.)	
Températures de stockage	-30°C ... +70°C (humidité max. 90 %, sans cond.)	
Refroidissement	Ventilateur à vitesse variable	
Port de communication	QuickLink	
Port du capteur de température	Oui (capteur inclus)	
Port d'entrée d'activation / fonctionnement du moteur	Oui (> 2.0Vdc = Actif et < 1.0Vdc = Inactif)	
Port d'entrée BMS	Oui (> 3.0Vdc = En veille and < 1.0Vdc = Actif)	
Port de sortie d'état	Oui (collecteur ouvert, 32Vdc / 150mA max, cinq types de statut attribuables)	
Protections	Tension d'entrée haute / basse, court-circuit de sortie, haute température et polarité inversée	
Indications	État d'entrée, état de sortie (charge), erreur	
Connexions de batterie	Cosses 3x M6	
Dimensions du boîtier (H x L x P)	70 x 128 x 170mm	
Poids total	1.2kg	
Indice de Protection	IP21	
Normes	EMC: 2014/30/EU, Low voltage directive: 2014/35/EU, RoHS: 2011/65/EU, Automotive: EN50498 („E“ pending)	

Remarque : les spécifications sont sujettes à changement sans préavis.

¹⁾ La tolérance maximum de courant de sortie est de +/-10 %. À des températures ambiantes plus élevées (> 40 °C), le courant de sortie maximal peut être réduit automatiquement.

²⁾ Sélectionnable par interrupteur DIP. Toutes les tensions de charge standard peuvent également être modifiées par l'application TBS Dashboard.



6. CONDITIONS DE GARANTIE

TBS Electronics (TBS) garantit que ce produit est libre de tout défaut de fabrication ou du matériel pour une période de 24 mois à dater de la date d'achat. Pendant cette période TBS réparera l' produit défectueux gratuitement. TBS n'est pas responsable des frais de transports éventuellement occasionnés par la réparation.

Cette garantie est annulée si l' produit a souffert de dommages physiques ou d'une altération, interne ou externe, et ne couvre pas les dommages dus à un usage impropre¹⁾, ou l'utilisation dans un environnement inadéquat.

Cette garantie ne s'appliquera pas si l'appareil a été mal utilisé, négligé, incorrectement installé ou réparé par quelque d'autre que le TBS. Le fabricant n'est pas responsable des pertes, dommages ou coûts occasionnés par un usage incorrect, par un usage dans un environnement impropre, par une installation incorrecte de l'appareil ou par une disfonctionnement de chargeur.

Comme le fabricant ne peut pas contrôler l'usage et l'installation des produits TBS, le client est toujours responsable pour l'usage actuel des produits TBS. Les produits TBS ne sont pas conçus pour être utilisés comme composants d'une installation de maintenance vitale qui peut potentiellement blesser les hommes ou l'environnement. Les clients sont toujours responsables quand ils installent les produits TBS pour ce type d'applications. Le fabricant n'accepte aucune responsabilité en cas de violation des brevets ou autres droits des tierces parties, résultant de l'usage des produits TBS. Le fabricant se réserve le droit de changer les spécifications du produit sans préavis.

¹⁾ Exemples d'usage incorrect :

- Voltage trop important à l'entrée
- Inversion des polarités
- Dégâts internes ou externes dus à une mauvaise manipulation ou à un mauvais emballage
- Contact avec des liquides ou oxydation causée par la condensation.
- Branchement de mauvaises batteries (tensions de batterie trop élevées)

7. DÉCLARATION DE CONFORMITÉ

Voir page 20.

TABLA DE CONTENIDOS

1. INTRODUCCIÓN	73
1.1 Uso pretendido del producto	73
1.2 Información importante de seguridad	73
2. INSTALACIÓN.....	75
2.1 Desembalaje	75
2.2 Montaje	75
2.3 Detalles de cableado	76
3. FUNCIONALIDAD GENERAL	81
3.1 Explicación de programas de carga	81
3.2 Funcionamiento del cargador usando la entrada de control de encendido/apagado principal.....	82
3.3 Funcionamiento del cargador sin usar la entrada de control de encendido/apagado principal.....	83
3.4 Indicadores LED	83
4. GUÍA DE SOLUCIÓN DE PROBLEMAS.....	85
5. ESPECIFICACIONES TÉCNICAS.....	87
6. CONDICIONES DE GARANTÍA.....	88
7. DECLARACIÓN DE CUMPLIMIENTO	88

1. INTRODUCCIÓN

Gracias por adquirir un cargador de batería de CC a CC programables TBS Electronics (TBS) Omnicharge DC. Lea este manual del propietario para obtener información sobre el uso correcto y seguro del producto. Conserve este manual del propietario y el resto de la documentación incluida cerca del producto como referencia en el futuro. Para obtener la revisión más reciente del manual, consulte la sección de descargas de nuestro sitio web.

La finalidad de este manual del propietario es proporcionar explicaciones y procedimientos para instalar, configurar y usar el cargador de batería. Las instrucciones de instalación han sido creadas para instaladores con conocimientos y experiencia en la instalación de equipos eléctricos, conocimientos de los códigos de instalación aplicables, y conscientes de los riesgos implicados en la realización de trabajos eléctricos y el modo de reducir dichos riesgos.

1.1 Uso pretendido del producto

Los cargadores de batería Omnicharge DC están pensados principalmente para cargar una batería auxiliar o de servicio desde una batería de arrancador de vehículo. La tensión de batería de entrada puede ser superior, inferior o igual a la tensión de batería de salida. Un cargador Omnicharge DC permite cargar perfectamente la batería auxiliar independientemente de la tensión de entrada, mientras está protegido contra daños debidos a picos de tensión.

Los cargadores de batería Omnicharge DC son compatibles con vehículos equipados con alternadores inteligentes de salida variable (EUR 6+). El Omnicharge DC puede empezar a cargar basándose en un intervalo programable de tensiones de entrada únicamente, o en combinación con una señal de funcionamiento de motor. También hay disponible una entrada de control separada (BMS-) que permite el control externo para encendido y espera del cargador.

1.2 Información importante de seguridad

Esta sección contiene información importante de seguridad para el cargador de batería Omnicharge DC. Antes de usar el cargador de batería Omnicharge DC, LEA TODAS las instrucciones y notificaciones de precaución en el cargador de batería o incluidas con él, y todas las secciones correspondientes de esta guía. El cargador de batería Omnicharge DC no contiene piezas reparables por el usuario. Abrir el cargador de batería anulará la garantía del producto.



ADVERTENCIA

RIESGOS DE QUEMADURAS POR FUEGO Y/O QUÍMICOS

No cubra ni obstruya ninguna apertura de ventilación y/o instale en producto en un espacio cerrado.



ADVERTENCIA

RIESGO DE ELECTROCUCIÓN. MANTENER FUERA DEL ALCANCE DE NIÑOS.
Evite la entrada de humedad. No esponga nunca la unidad a nieve, agua, etc.



ADVERTENCIA

DESOBEDECER ESTAS INSTRUCCIONES PUEDE PROVOCAR MUERTE O LESIONES GRAVES:

1. Cuando trabaje con equipos eléctricos o baterías de plomo y ácido, tenga a alguien cerca en caso de emergencia.
2. Estudie y obedezca todas las precauciones específicas del fabricante de la batería cuando instale, use y realice mantenimiento de la batería conectada al cargador.
3. Lleve protección ocular y guantes.
4. Evite tocarse los ojos cuando use esta unidad.
5. Tenga al alcance agua fresca y jabón por si el ácido de la batería entra en contacto con los ojos.
Si sucede, limpie de inmediato con jabón y agua un mínimo de 15 minutos y busque asistencia médica.
6. Las baterías generan gases explosivos. NO fume ni tenga fuentes de chispas o fuego cerca del sistema.
7. No intente nunca recargar una batería dañada, congelada o no recargable.
8. Mantenga alejada la unidad de lugares húmedos o mojados.
9. Evite dejar caer herramientas u objetos metálicos en la batería. Hacerlo podría causar chispa o cortocircuito, que pasaría por la batería y cualquier otra herramienta eléctrica y podría causar una explosión.
10. El interior del chasis del cargador no contiene piezas reparables por el usuario.



ADVERTENCIA

RIESGO DE EXPLOSIÓN
No use el cargador de batería cerca de vapores o gases inflamables.



PRECAUCIÓN

LIMITACIONES DE USO

No use el producto conectado a sistemas de soporte vital ni otros equipos o dispositivos médicos.

El cargador de batería no debe ser usado por personas con capacidades físicas o mentales reducidas ni falta de conocimientos y experiencia. No debe ser usado por niños.

2. INSTALACIÓN

2.1 Desembalaje

El paquete del cargador debe contener los elementos siguientes:

- Cargador de batería
- Sensor de temperatura de batería (3m)
- Manual del propietario
- 3x pasacables de caucho
- 3x terminales de crimpado M6

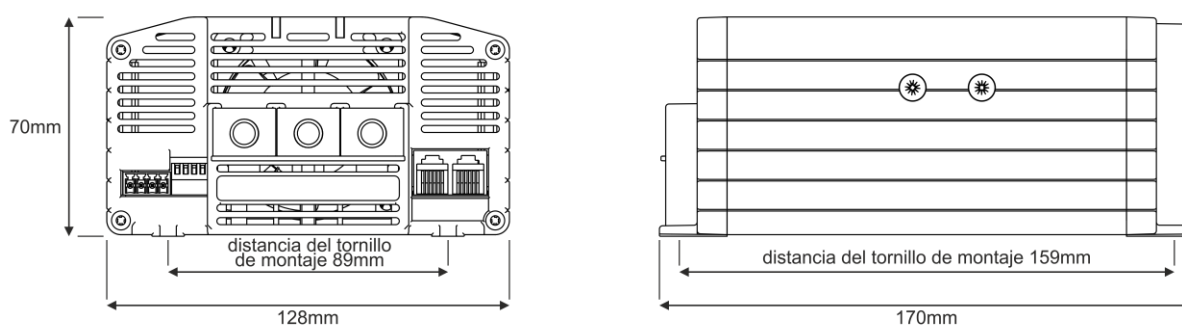


PRECAUCIÓN

Después de desembalar, compruebe si el producto presenta daños mecánicos. No use nunca el producto si el chasis muestra daños visibles causados por manipulación agresiva, ni si ha caído accidentalmente. Contacte con su proveedor local para más información.

2.2 Montaje

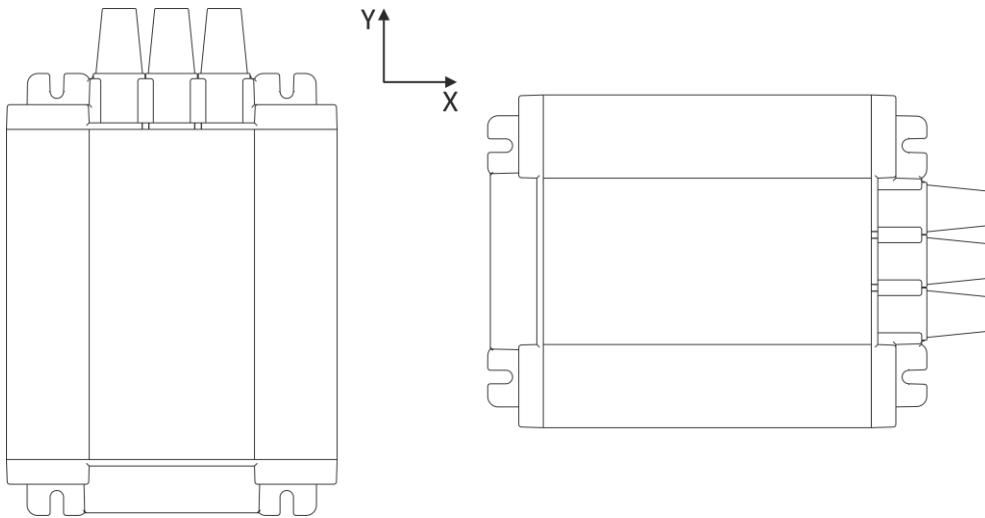
Consulte la imagen siguiente para el método de montaje preferido y las distancias de los tornillos de montaje.



Detalles de montaje adicionales:

1. Elegir una ubicación de montaje apropiada en una habitación bien ventilada que esté protegida contra lluvia, nieve, rociado, vapor, humedad y polvo.
2. Asegurarse de que la temperatura ambiente esté entre $-20\text{ }^{\circ}\text{C}$ y $+60\text{ }^{\circ}\text{C}$. Por encima de $+40\text{ }^{\circ}\text{C}$ la carga aminorará automáticamente la potencia de salida.
3. No exponer el cargador a ninguna fuente de calor (tal como luz solar directa o calentamiento). Evitar un calentamiento adicional del producto. Evitar también la exposición del cargador a una vibración excesiva.
4. No instalar nunca el cargador en un ambiente en el que haya peligro de explosiones de gas o polvo, como en el mismo compartimento que las baterías o directamente por encima de baterías ventiladas.
5. Cuando el cargador sea instalado horizontalmente (montaje en el suelo), es aceptable cualquier dirección de montaje dirección. Cuando sea instalado verticalmente, por

favor observe las siguientes orientaciones de recinto preferidas:



PRECAUCIÓN

Mantenga un espacio libre mínimo de 10 cm alrededor del producto para su refrigeración.

2.3 Detalles de cableado



ADVERTENCIA

Para la seguridad del usuario durante la instalación, por favor asegurarse de que la salida de la fuente de suministro esté apagada (retirar temporalmente los fusibles del portafusibles) y que no haya consumidores conectados a las baterías.



PRECAUCIÓN

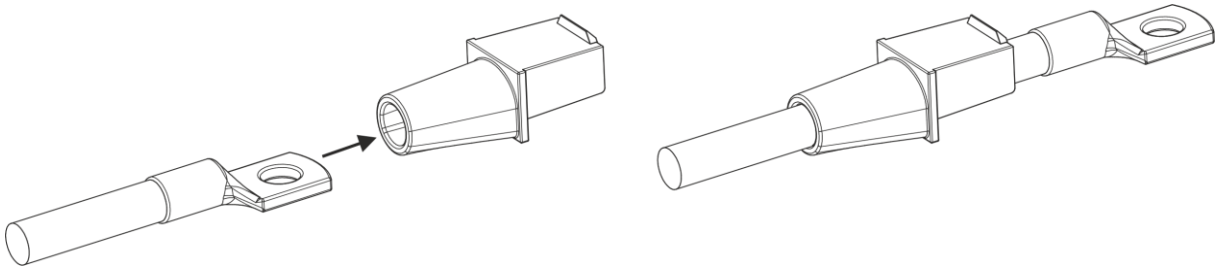
Por favor comprobar si las tensiones de batería coinciden con las especificaciones del modelo de cargador usado.



PRECAUCIÓN

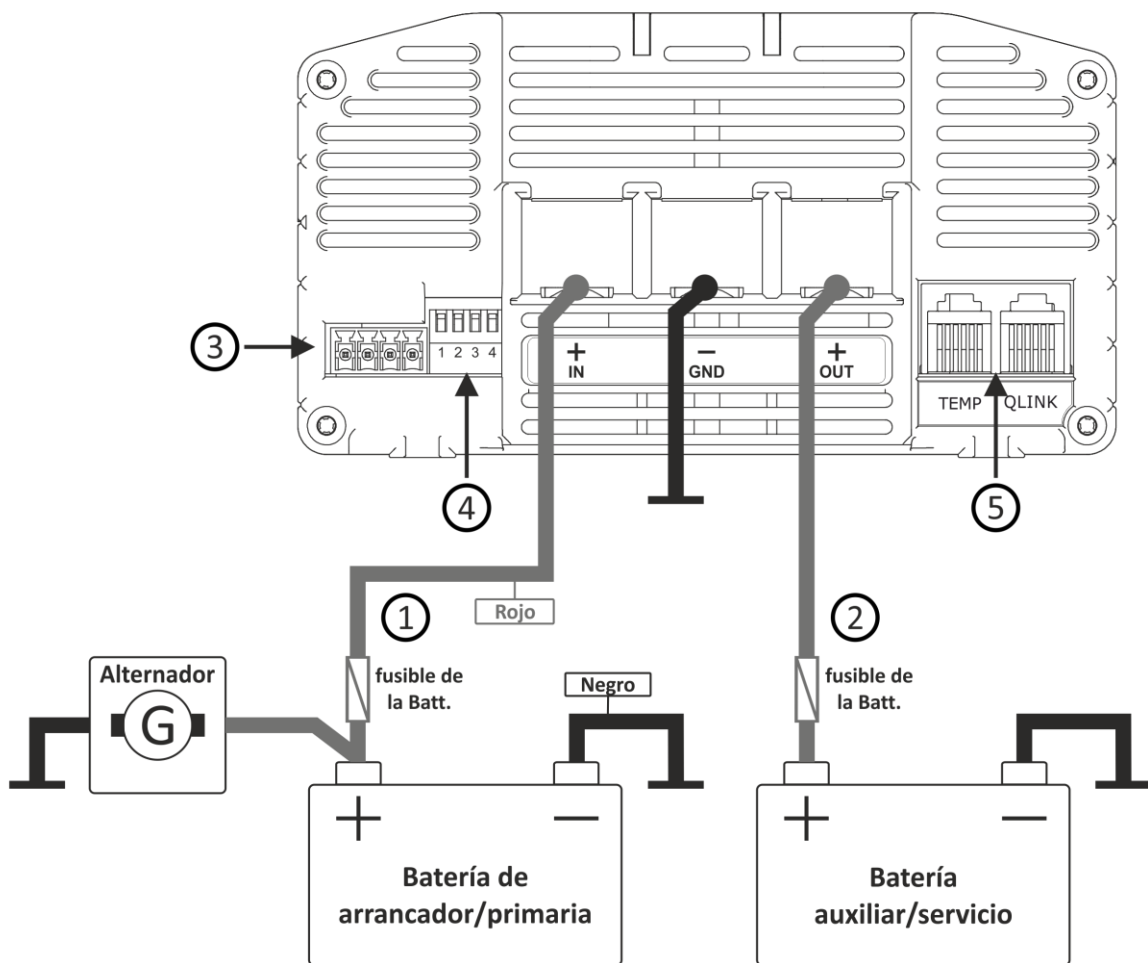
Conectar siempre primero la tierra (- GND) seguida por la batería de servicio (+ OUT) y por último la batería del arrancador (+ IN).

Antes de conectar los cables principales de CC, asegurarse de deslizar los pasacables de caucho incluidos sobre estos cables, como se muestra en la siguiente imagen.



Cuando los cables de CC se conectan al cargador, los pasacables de caucho se pueden deslizar hacia el panel delantero del cargador hasta que las conexiones de tornillo estén completamente cubiertas.

Por favor ver detalles de cableado en la imagen siguiente.



⚠ PRECAUCIÓN

Conecte siempre el cable negativo (-) directamente al terminal negativo de la batería o al «lado de carga» de un derivador de corriente. Mantenga siempre los cables positivo y negativo cercanos entre sí para minimizar los campos electromagnéticos. Compruebe la polaridad correcta antes de conectar los cables de batería a la batería. Una polaridad incorrecta puede dañar el cargador.

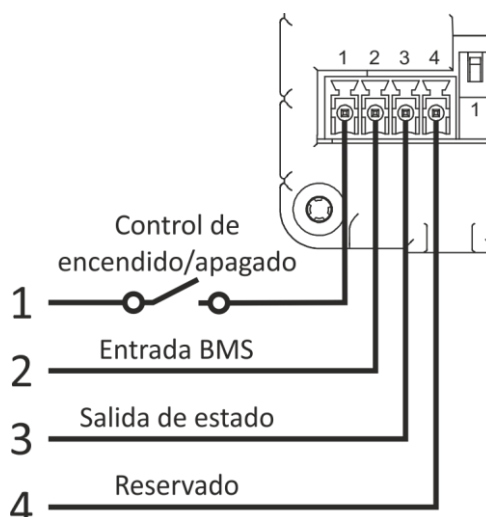
- ① Consulte la tabla siguiente para determinar el cable de batería de entrada y tamaño de fusible adecuados para cada modelo. Usar un tamaño de cable menor o un cable más largo causará pérdidas adicionales y puede provocar baterías cargadas incorrectamente. Existen riesgos de incendio y quemaduras si los cables de batería tienen un tamaño insuficiente para la corriente esperada. ¡Mantenga siempre la longitud de cable lo más corta posible!

Modelo	Tamaño mínimo de cable	Tamaño de cable recomendado	Fusible de la batería (tipo rápido)
OCD 12/12-50	16mm ² (AWG6)	25mm ² (AWG4)	70-90Amp
OCD 12/24-30	16mm ² (AWG6)	25mm ² (AWG4)	70-90Amp

- ② Consulte la tabla siguiente para determinar el cable de batería de salida y tamaño de fusible adecuados para cada modelo. Usar un tamaño de cable menor o un cable más largo causará pérdidas adicionales y puede provocar baterías cargadas incorrectamente. Existen riesgos de incendio y quemaduras si los cables de batería tienen un tamaño insuficiente para la corriente esperada. ¡Mantenga siempre la longitud de cable lo más corta posible!

Modelo	Tamaño mínimo de cable	Tamaño de cable recomendado	Fusible de la batería (tipo rápido)
OCD 12/12-50	16mm ² (AWG6)	25mm ² (AWG4)	60-80Amp
OCD 12/24-30	10mm ² (AWG8)	16mm ² (AWG6)	40-50Amp

- ③ Por favor ver ubicaciones de conexión del cable de control en la imagen siguiente.



La conexión 1 es la entrada principal de control de encendido/apagado y únicamente se puede usar cuando el conmutador DIP 4 se pone en apagado. Esta entrada se puede usar para habilitar o deshabilitar el cargador y está 'activo alto'. Cuando a esta entrada se le aplica una tensión mayor de 2 V, el cargador se enciende. Cuando se aplica una tensión menor de 1 V, el cargador se apaga y no consume corriente. La tensión

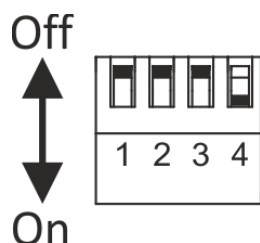
máxima de entrada son 32 V. En una aplicación de vehículo se recomienda conectar esta entrada a la señal de funcionamiento de motor. Contactar al distribuidor del vehículo para encontrar la conexión más adecuada.

La conexión de entrada BMS 2 se puede usar para forzar al cargador al modo de espera. En este modo el cargador deja de cargar, pero los circuitos internos permanecen activos para volver a cargar inmediatamente una vez se permita de nuevo. Esta estado se puede usar para conectar a una BMS de batería de litio a fin de detener el proceso de carga en caso necesario. De manera predeterminada esta entrada está 'activa baja' (< 1 V está activa y > 3 V está en espera), por esto se puede cambiar también a 'activo alto' mediante el TBS Dashboard o la app Dashboard Mobile. La tensión máxima de entrada son 32 V.

La conexión 3 es una salida de colector abierta que se puede usar por ejemplo para conectar a la luz indicadora remota. La máxima tensión y la corriente de conmutación son respectivamente 32 V y 150 mA. De manera predeterminada esta salida está activa (baja) cuando el cargador está cargando o cuando se finaliza la carga. En TBS Dashboard o la app Dashboard Mobile se pueden seleccionar otras condiciones activas.

La conexión 4 está reservada para uso futuro y todavía no tiene funcionalidad activa.

④ Ajustes de conmutadores DIP



Los conmutadores DIP 1 y 2 se usan seleccionando el programa de carga deseado para la batería de salida conectada. Por favor ver la mesa siguiente:

DIP1	DIP2	Tipo de batería ^{1) 2)}
Off	Off	Batería inundada (por defecto) <i>Volt. de absorción = 14.4V (28.8V)</i> <i>Volt. de flotación = 13.5V (27.0V)</i>
Off	On	GEL <i>Volt. de absorción = 14.2V (28.4V)</i> <i>Volt. de flotación = 13.5V (27.0V)</i>
On	Off	AGM <i>Volt. de absorción = 14.7V (29.4V)</i> <i>Volt. de flotación = 13.6V (27.2V)</i>
On	On	LiFePo4 <i>Volt. de absorción = 14.4V (28.8V)</i> <i>Volt. de flotación = 13.8V (27.6V)</i>

¹⁾ Valor de tensión de carga entre corchetes es para el modelo OCD 12/24-30.

²⁾ Todos los valores estándar de tensión de carga son configurables utilizando el TBS Dashboard y la app Dashboard Mobile.

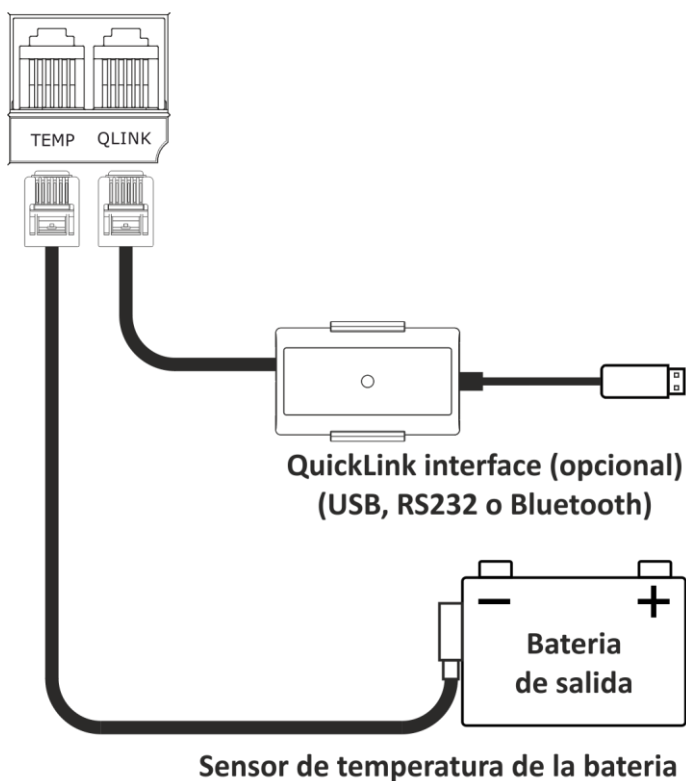
El conmutador DIP 3 está reservado para uso futuro (predeterminado apagado)

El conmutador DIP 4 se puede usar para baipasear la entrada de control de encendido/apagado (ver el punto 3 anterior). Cuando este conmutador DIP se establece a encendido (ajuste predeterminado), la entrada de control de encendido/apagado es baipaseada y el cargador siempre funcionara, independientemente del estado en la entrada de control. Cuando este conmutador DIP se establece a apagado, el cargador es controlado por la entrada de control de encendido/apagado. Este ajuste se recomienda para aplicaciones de vehículos con una señal de funcionamiento de motor apropiada.

 **PRECAUCIÓN**

Una configuración de tipo de batería incorrecta puede causar graves daños a las baterías y/o las cargas de batería conectadas. Consulte siempre la documentación de sus baterías para conocer la configuración de voltaje de carga correcta.

- ⑤ La imagen siguiente muestra las opciones de conexión restantes del cargador de batería Omnicharge DC.



Los Kits opcionales de comunicación QuickLink permiten programar y monitorizar el

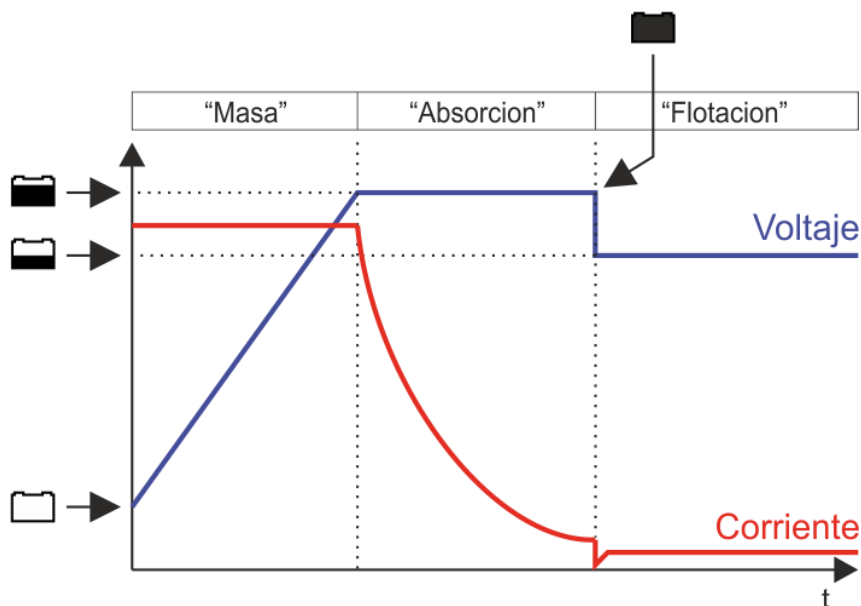
cargador usando el software TBS Dashboard en un PC (por medio de USB o RS232) o la app Dashboard Mobile en la plataformas iOS y Android (por medio de Bluetooth).

Conectar siempre el sensor de temperatura de batería a la batería que se está cargando (batería de salida). El cargador compensa automáticamente las corrientes de carga según la temperatura. Esto significa que las corrientes de carga aumentan ligeramente con temperaturas más bajas y disminuyen con temperaturas más altas (-30mV/°C con cargadores de 12V y -60mV/°C con cargadores de 24V). De esta manera, se evita la sobrecarga y se prolonga la vida útil de la batería. No existe compensación de voltaje de carga para tipos de batería de litio.

3. FUNCIONALIDAD GENERAL

3.1 Explicación de programas de carga

La mayoría de programas de carga seleccionables estándar realizan un proceso de carga en cuatro estadios IUoUo compuestos de un estadio «Masa/al mayor», uno de «Absorción» y uno de «Flotación». La imagen siguiente visualiza el proceso de carga en tres estadios (los voltajes indicados son habituales para una batería de plomo y ácido inundada):



Cuando el cargador está encendido, arrancará en la Etapa Bulk. En esta etapa el cargador entrega plena corriente de salida y típicamente devuelve aproximadamente el 80 % de la carga a la batería una vez se ha alcanzado la tensión de absorción. Cuando se ha alcanzado esta tensión, se entrará a la etapa de Absorción. Esta etapa devolverá el 20 % final de la carga a la batería. La tensión de salida se mantiene en un nivel constante y la corriente de carga disminuye como función del estado de carga de la batería. Cuando la corriente de carga ha caído por debajo de un cierto valor, se entrará a la etapa de Flotación. Para baterías de litio, a la batería ya se ha devuelto el 80 % de la carga. Por lo que para esta química la

etapa de Absorción será relativamente corta.

En la etapa de Flotación la tensión de batería se mantendrá constante en un seguro nivel para la batería. Mantendrá la batería en condición óptima siempre que la batería permanezca conectada al cargador activado. Las cargas de batería conectadas serán alimentadas directamente por el cargador hasta el nivel de corriente de salida máximo del cargador.

3.2 Funcionamiento del cargador usando la entrada de control de encendido/apagado principal

A fin de activar el cargador, se debe aplicar una señal positiva (alta) a la entrada de control de encendido/apagado principal mientras el conmutador DIP 4 debe estar en la posición de apagado. En una aplicación de vehículos, esto es típicamente la señal de funcionamiento de motor. Después de un retraso corto de unos pocos segundos, el cargador normalmente iniciará el proceso de carga. Sin embargo se debe cumplir una segunda condición antes de que el cargador inicie el proceso de carga y esta es el nivel de tensión de entrada. La tensión de entrada de batería debe estar por encima de cierto nivel a fin de permitir cargar la batería de salida. Adicionalmente, también se debe cumplir esta condición para una cantidad de tiempo preestablecida. Por favor véase la siguiente tabla que muestra todos los valores predeterminados de fábrica de tensión y de tiempos de retraso se almacenan dentro del cargador Omnicharge DC:

Parámetro ¹⁾	Valor predeterminado OCD 12/12-50	Valor predeterminado OCD 12/24-30
Encender tensión de entrada	> 12,5 V	> 12,5 V
Retraso	10 s	10 s
Apagar tensión de entrada (lento)	< 12,4 V	< 12,4 V
Retraso	3 min	3 min
Apagar tensión de entrada (rápido)	< 12,0 V	< 12,0 V
Retraso	1 s	1 s

¹⁾ Todos los parámetros son configurables usando el TBS Dashboard y la app Dashboard Mobile

Como se puede ver en la tabla anterior, hay dos niveles de apagado de tensión baja. Se permite que el nivel de apagado 'lento' sea superado durante más tiempo que el nivel de apagado 'rápido'. Esto da como resultado en un proceso de carga estable mientras todavía se evita una batería de entrada descargada profundamente.

PRECAUCIÓN

Si la entrada de control de encendido/apagado principal se conecta a la señal de ignición en lugar de funcionamiento de motor, mientras que los niveles de tensión de entrada de apagado se establecen a valores relativamente bajos, por favor asegurarse de arrancar el motor a tiempo para evitar demasiado la descarga del batería de arrancador.

3.3 Funcionamiento del cargador sin usar la entrada de control de encendido/apagado principal

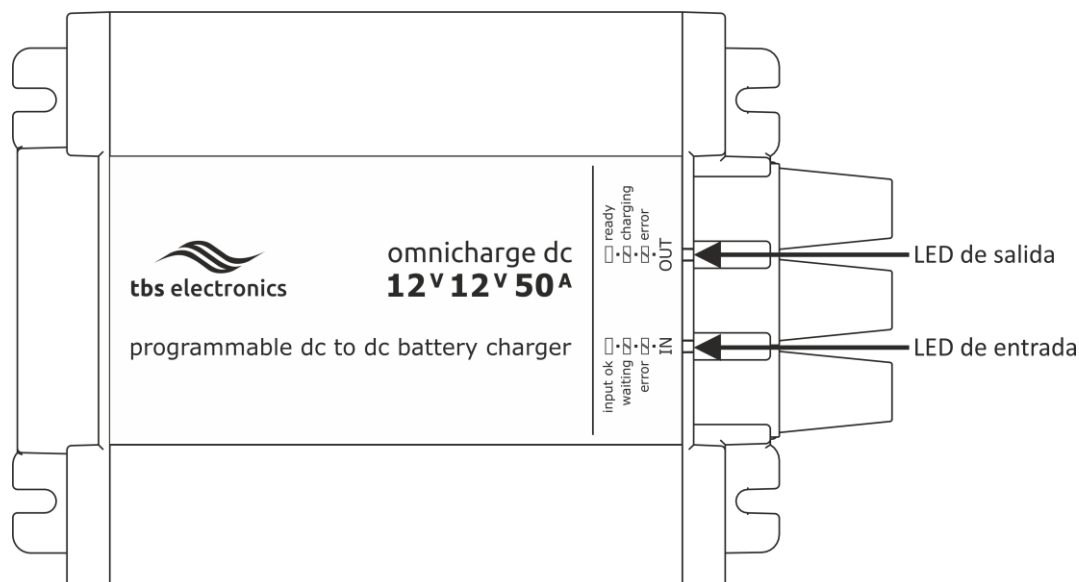
Cuando no hay señal de funcionamiento de motor disponible o cuando el cargador siempre debe permanecer activado, el conmutador DIP 4 debe establecerse a encendido. En este modo sin embargo, todavía son aplicables los requisitos de tensión de entrada que se muestran en la tabla del capítulo 3.2. Así el cargador únicamente empezará a cargar cuando se cumplan estos requisitos.

⚠ PRECAUCIÓN

Por favor hay que ser consciente de en este modo siempre encendido, el cargador seguirá consumiendo una pequeña corriente (< 35 mA) de la batería de entrada, incluso cuando no se ha cumplido la condición de tensión de entrada de encendido. Esto podría dar como resultado una batería de entrada descargada si se permite una cantidad de tiempo prolongada.

3.4 Indicadores LED

La unidades Omnicharge DC están equipadas con ledes individuales para el lado de entrada y de salida. Por favor véase la ubicación de estos ledes en la siguiente imagen:



La siguiente tabla explica todas las condiciones de led disponibles:

Ledes	Estado	Explicación
LED de entrada	Apagado	Cargador apagado
	Naranja destellando	Tensión de entrada demasiado baja o retraso de encendido todavía no expirado

	Verde continuo	Todas las condiciones de entrada son correctas para cargar
	Rojo destellando	Error (ver la tabla de error de LEDES)
LED de salida	Apagado	Cargador apagado, o carga todavía bloqueada por condiciones de entrada no cumplidas
	Verde destellando	Carga en curso
	Verde continuo	Carga finalizada (etapa de Flotación)
	Rojo destellando	Error (ver la tabla de error de LEDES)

La siguiente tabla de errores de LEDES explica qué tipos de error están vinculados a secuencias de parpadeos de LEDES:

LED de entrada	LED de salida	Tipo de error
Rojo destellando (1 parpadeo)		Sobretensión de entrada
	Rojo destellando (1 parpadeo)	Sobretensión de salida, baja tensión de salida, temperatura de batería demasiado baja o demasiado alta
	Rojo destellando (2 parpadeos)	Sobrecarga de salida / cortocircuito
	Rojo destellando (3 parpadeos)	Alta temperatura de cargador

4. GUÍA DE SOLUCIÓN DE PROBLEMAS

Consulte la tabla siguiente si experimenta problemas con el cargador de batería Omnicharge DC y/o la instalación.

Problema	Posible causa	Solución
El Omnicharge DC no funciona.	No hay tensión de entrada	Comprobar cableado y fusible de entrada
	Tensión de entrada demasiado baja	Comprobar la tensión de entrada, ajustar la configuración de tensión de entrada, arrancar el motor
	Sin señal positiva en el cable de control de encendido/apagado principal	Comprobar cableado, fusibles y estado de la señal de funcionamiento de motor
	Señal positiva en entrada BMS	Comprobar estado BMS de batería de salida
	Condición de batería de entrada muy deficiente	Sustituir la batería
La batería no se está cargando hasta su capacidad máxima.	Configuración de voltaje de carga de absorción incorrecta.	Compruebe que la configuración de la selección de tipo de batería sea correcta. O ajuste el voltaje de absorción.
	Configuración de corriente de carga incorrecta.	Asegúrese de que la configuración de corriente de salida máxima esté al nivel máximo (compruebe si lo permite el fabricante de la batería).
	Demasiada pérdida de voltaje en los cables y/o conexiones de batería.	Asegúrese de que los cables de batería tengan un diámetro suficientemente grande. Compruebe que todas las conexiones CC sean sólidas.
	Las cargas de batería adicionales consumen demasiada corriente durante la carga.	Apague o desconecte todas las cargas de batería.
Corriente de carga demasiado baja.	Temperatura ambiente alta.	Intente bajar la temperatura ambiente alrededor del cargador.

	El cargador funciona en estadio de carga de absorción.	No haga nada. La batería está casi totalmente cargada y consume menos corriente.
Voltaje de carga demasiado bajo.	El sensor de temperatura de batería compensa el voltaje de carga para proteger la batería.	No haga nada, o intente enfriar la temperatura ambiente alrededor de la batería.
	Tipo de batería seleccionado incorrecto, o el voltaje de carga debe ajustarse.	Seleccione el tipo de batería correcto o ajuste el voltaje de carga en el menú de configuración.
	Cables CC demasiado delgados.	Instale cables CC mayores. Consulte la tabla de tamaño de cables CC en el capítulo 2.3.
	Corriente de carga de batería superior a la corriente de salida del cargador.	Reduzca o elimine la carga de batería.
LEDES destellando en rojo	Error detectado	Comprobar tabla de errores de LED en el capítulo 3.4

Si ninguna de las soluciones anteriores le ayuda a solventar el problema, es preferible contactar con su distribuidor TBS local para obtener ayuda y/o eventual reparación de su unidad Omnicharge DC. No desmonte el cargador usted mismo, existen tensiones peligrosamente altas en el interior y anularía su garantía.


5. ESPECIFICACIONES TÉCNICAS

Parámetro	OCD 12/12-50	OCD 12/24-30
Tensión de entrada nominal	12Vdc	
Intervalo de tensiones de entrada	10.0 – 16.0Vdc	
Corriente de entrada máxima	65Adc	
Consumo de corriente (inactivo)	< 0.25mA	
Consumo de corriente (sin carga/espera)	< 35mA	< 45mA
Tensión de salida nominal	12Vdc	24Vdc
Intervalo de tensiones de salida	12.0 – 16.0Vdc	24.0 – 32.0Vdc
Máxima corriente de salida ¹⁾	50A	30A
Característica de carga	IUoUo, inteligente de 3 fases, comp. por temp.	
Tipos de batería soportado ²⁾	Inundada / Gel / AGM / LiFePO4	
Rango de temp. de funcion.	-20°C ... +60°C (humedad máxima 90% sin condensación)	
Rango de temp. de almacen.	-30°C ... +70°C (humedad máxima 90% sin condensación)	
Refrigeración	Ventilador de velocidad variable	
Puerto de comunicación	QuickLink	
Puerto de sensor de temperatura	Oui (sensor incluido)	
Funcionamiento de motor / activar puerto de entrada	Si (> 2.0Vdc = Activo y < 1.0Vdc = Inactivo)	
Puerto de entrada de BMS	Si (> 3.0Vdc = Espera y < 1.0Vdc = Activo)	
Puerto de salida de estado	Si (colector abierta, 32Vdc / 150mA max, cinco tipos de estado asignables)	
Protecciones	Voltaje de entrada alto / bajo, cortocircuito de salida, temperatura elevada y polaridad invertida	
Indicaciones	Estado de entrada, estado de salida (carga), error	
Conexiones de batería	3x pernos M6	
Tamaño del chasis (A x L x P)	70 x 128 x 170mm	
Peso total	1.2kg	
Clase de protección	IP21	
Estándares	EMC: 2014/30/EU, Low voltage directive: 2014/35/EU, RoHS: 2011/65/EU, Automotive: EN50498 („E“ pending)	

Nota: las especificaciones indicadas están sujetas a cambios sin previo aviso.

¹⁾ La tolerancia de corriente de salida máxima es +/-10%. A temperaturas ambientes superiores (>40°C), la corriente de salida máxima puede reducirse automáticamente.

²⁾ Seleccionable por interruptor DIP. La aplicación TBS Dashboard también puede modificar todos los voltajes de carga estándar.

	<p>Actúe según la normativa local y no deseche sus productos usados con los residuos domésticos comunes. La correcta eliminación de su producto usado ayuda a evitar potenciales consecuencias negativas para el medioambiente y la salud humana.</p>
---	---

6. CONDICIONES DE GARANTÍA

TBS Electronics (TBS) garantiza que este producto no tenga defectos de mano de obra o materiales durante 24 meses, a partir de la fecha de compra. Durante este periodo, TBS reparará los productos defectuosos sin coste alguno. TBS no se hace responsable de los costes de transporte de este inversor.

Esta garantía es nula si el producto ha sufrido daños físicos o alteraciones, ya sean internas o externas, y no cubre los daños causados por un uso indebido¹⁾, por utilizar el inversor con requisitos de consumo de energía excesivos, o por su uso en un entorno inadecuado.

Esta garantía no se aplica en los casos donde el producto se haya utilizado incorrectamente, de forma negligente, instalado indebidamente o reparado por alguien ajeno a TBS. TBS no se hace responsable de ninguna pérdida, daño o coste producido por un uso indebido, uso en un entorno inadecuado, instalación incorrecta del producto o fallos en el producto.

Dado que TBS no puede controlar el uso y la instalación (de acuerdo con las normativas locales) de sus productos, el cliente siempre es responsable del uso de estos productos. Los productos de TBS no están diseñados para su uso como componentes esenciales en dispositivos o sistemas de soporte vital que puedan dañar a los seres humanos y/o al medio ambiente. El cliente es siempre el responsable a la hora de implementar los productos de TBS en este tipo de aplicaciones. TBS no acepta ninguna responsabilidad por la violación de patentes u otros derechos de terceros derivados del uso del producto de TBS. TBS se reserve el derecho de cambiar las especificaciones de sus productos sin previo aviso.

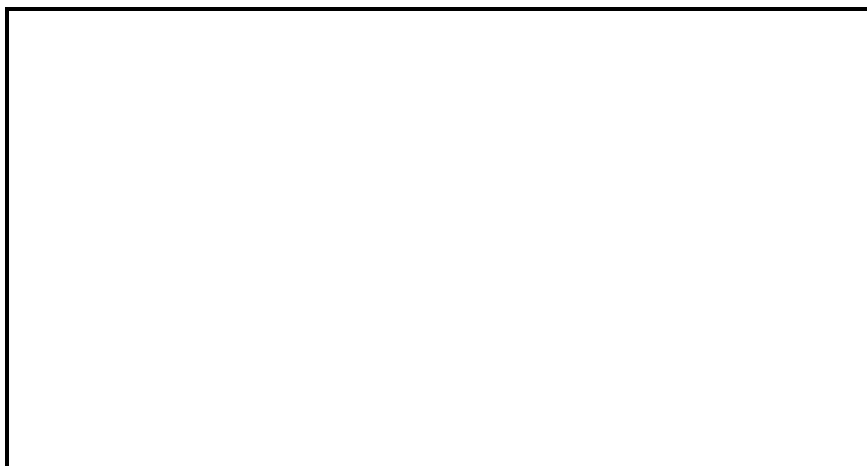
¹⁾ Ejemplos de uso indebido :

- Voltaje de entrada aplicado demasiado alto
- Conexión inversa de la polaridad de la batería
- Alojamiento o elementos internos con estrés mecánico debido a una manipulación poco cuidadosa o un embalaje inadecuado
- Conexión de baterías incorrectas (voltajes de batería demasiado altos)
- Contacto con líquidos u oxidación causada por la condensación

7. DECLARACIÓN DE CUMPLIMIENTO

Vea la página 20.

www.tbs-electronics.com



tbs electronics

**TBS Electronics BV
De Marowijne 3
1689AR Zwaag
The Netherlands**

OCD 30-50 Manual Rev2endfs