



TALON

▼ SHALLOW WATER ANCHOR ▼

Owner's Manual

INTRODUCTION

THANK YOU

Thank you for purchasing the Minn Kota® Talon shallow water anchor. This revolutionary shallow water anchor uses state-of-the-art patented technology to deliver unprecedented levels of boat control. Intuitive features and wireless control enable Talon to accurately position your boat and improve your bait presentation. Talon holds your boat in position so you can focus on fishing.

REGISTRATION

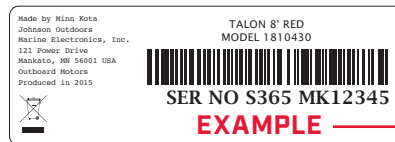
Remember to keep your receipt and immediately register your Talon. To receive all the benefits of your product warranty please fill out and mail the registration card. You may also register your product online at minnkotamotors.com.

SERIAL NUMBER

Your Minn Kota 11-character serial number is very important. It helps to determine the specific model and year of manufacture. When contacting Consumer Service or registering your product, you will need to know your product's serial number. We recommend that you write the serial number down so that you have it available for future reference.



NOTICE: The serial number on your Talon is located below the motor housing.



TALON INFORMATION (For Consumer Reference Only)

Model: _____

Serial Number: _____

Purchase Date: _____

Store Where Purchased: _____

NOTICE: Do not return your Minn Kota product to your retailer. Your retailer is not authorized to repair or replace this unit. You may obtain service by: calling Minn Kota at (800) 227-6433; returning your Talon to the Minn Kota Factory Service Center; sending or taking your product to any Minn Kota authorized service center. A list of authorized service centers is available on our website, at minnkotamotors.com. Please include proof of purchase, serial number and purchase date for warranty service with any of the above options.

TABLE OF CONTENTS

SAFETY CONSIDERATIONS	4
WARRANTY	5
KNOW YOUR BOAT	6
FEATURES	7
INSTALLATION	8
Installing the Talon	8
Installing the Water Deflection Shield.....	15
Installing the Power Cable and Deployment Notification Alarm Wire.....	17
Verifying Installation	20
BATTERY & WIRING INSTALLATION	21
Boat Rigging & Product Installation	21
Conductor Gauge and Circuit Breaker Sizing Table	21
Selecting the Correct Batteries	22
Connecting the Batteries.....	22
WIRING DIAGRAM	24
USING THE TALON	25
Talon Features.....	25
Depth Indication LEDs.....	26
Mode Functions	27
Controlling the Talon with the Indicator Panel	28
Controlling the Talon with the Remote	33
TALON APP	38
Talon App Home Screen.....	38
Getting Started.....	42
iOS	45
Android	51
SERVICE & MAINTENANCE	55
Replacing the Remote Battery	55
Pairing A Remote to a Single Talon	57
Pairing Two Talons and Programming the Mounting Location.....	58
Pairing A Remote To Two Talons.....	59
Clearing Paired Remotes or Devices from the Talon	59
Clearing Paired Talons from the Remote	60
Manually Retract the Talon.....	60
The Retraction Notification Alarm	61
Reset the Fuse.....	62
Replacing the Spike	62
General Maintenance.....	66
Troubleshooting.....	67
For Further Troubleshooting And Repair.....	68
COMPLIANCE STATEMENTS	69
PARTS DIAGRAM & PARTS LIST	71
NOTES	85

SAFETY CONSIDERATIONS

Please thoroughly read the user manual. Follow all instructions and heed all safety considerations. Use of this product is only permitted for persons that have read and understood these instructions. Minors may use this product only under adult supervision.

WARNING

You are responsible for the safe and prudent operation of your boat or vessel, and Talon(s). This product does not relieve you from the responsibility of safe operation of your boat. It may be hazardous to operate your Talon in rough or turbulent water conditions, such as fast currents or changing environmental conditions. Do not deploy your Talon if these conditions are present, especially when the underwater topography is unknown. Failure to follow this warning may result in unexpected operation or failure of the Talon to operate or anchor and could cause death or serious injury. You must avoid hazards to anchoring and always maintain a permanent watch so you can maintain proper control of your boat. You must always be prepared to regain manual control of your boat. Learn to operate your Minn Kota product in an area free from hazards and obstacles.

WARNING

The Talon should be disconnected from the power source when it is not in use or is off the water. When connecting the power-supply cables of the Talon to the battery or power switch, ensure that they are not kinked or subject to chafe and route them in such a way that persons cannot trip over them. Before using the Talon make sure that the insulation of the power cables is not damaged. Disregarding these safety precautions may result in electric shorts of battery(s) and/or the product. Always disconnect the Talon from battery(s) before cleaning or checking the Talon. In the event of unexpected operation, remove power leads from the battery. Avoid submerging the complete product as water may enter and considerable damage to the product can occur. This damage will not be covered by warranty. The constant noise pressure level of the Talon during use is less than 70dB(A). The overall vibration level does not exceed 2,5 m/sec².

WARNING

Take care that neither you nor other persons approach the Talon Spike too closely while operating, neither with body parts nor with objects. The Talon is powerful and may endanger or injure you or others. While the Talon is operating, watch out for persons swimming and for floating objects. Persons who lack the ability to run the Talon or whose reactions are impaired by alcohol, drugs, medication, or other substances are not permitted to use this product.

CAUTION

Never leave the boat unattended with the Talon as your only boat anchor. Talon is not intended to provide primary anchorage.

WARNING

It is recommended to only use Johnson Outdoors approved accessories with your Talon. Using non-approved accessories including those used to mount or control your product may cause damage, unexpected operation and injury. Be sure to use the product and all approved accessories, including remotes, safely and in the manner directed to avoid accidental or unexpected operation. Keep all factory installed parts in place including motor, electronic and accessory covers, enclosures and guards. Failure to adhere to this warning may affect your warranty.

WARRANTY

MINN KOTA LIMITED WARRANTY ON TALON SHALLOW WATER ANCHORS

Johnson Outdoors Marine Electronics, Inc. ("JOME") extends the following limited warranty to the original retail purchaser only. Warranty coverage is not transferable.

Minn Kota Five-Year Limited Warranty

JOME warrants to the original retail purchaser only that the purchaser's entire Minn Kota Talon shallow water anchor's mechanical and electrical parts will be materially free from defects in materials and workmanship appearing within five (5) years after the date of purchase. JOME will (at its option) either repair or replace, free of charge, any mechanical or electrical parts found by JOME to be defective during the term of this warranty. Such repair, or replacement shall be the sole and exclusive liability of JOME and the sole and exclusive remedy of the purchaser for breach of this warranty. The Talon spike is covered by the five year warranty (plus parts and labor to install). After the five year warranty, the spike will be covered by the limited lifetime warranty (part only).

Minn Kota Lifetime Limited Warranty on the Spike

JOME warrants to the original retail purchaser only that the spike of the purchaser's Minn Kota Talon shallow water anchor will be materially free from defects in materials and workmanship appearing within the original purchaser's lifetime. JOME will provide a new spike, free of charge, to replace any spike found by JOME to be defective during the term of this warranty. Providing a new spike shall be the sole and exclusive liability of JOME and the sole and exclusive remedy of the purchaser for breach of this warranty; and purchaser shall be responsible for installing, or for the cost of labor to install, any new spike provided by JOME.

Exclusions and Limitations

This limited warranty does not apply to products that have been used commercially or for rental purposes. This limited warranty does not cover normal wear and tear, blemishes that do not affect the operation of the product, or damage caused by accidents, abuse, alteration, modification, shipping damages, acts of God, negligence of the user or misuse, improper or insufficient care or maintenance. DAMAGE CAUSED BY THE USE OF OTHER REPLACEMENT PARTS NOT MEETING THE DESIGN SPECIFICATIONS OF THE ORIGINAL PARTS WILL NOT BE COVERED BY THIS LIMITED WARRANTY. The cost of normal maintenance or replacement parts which are not in breach of the limited warranty are the responsibility of the purchaser. Prior to using products, the purchaser shall determine the suitability of the products for the intended use and assumes all related risk and liability. Any assistance JOME provides to or procures for the purchaser outside the terms, limitations or exclusions of this limited warranty will not constitute a waiver of the terms, limitations or exclusions, nor will such assistance extend or revive the warranty. JOME will not reimburse the purchaser for any expenses incurred by the purchaser in repairing, correcting or replacing any defective products or parts, except those incurred with JOME's prior written permission. JOME'S AGGREGATE LIABILITY WITH RESPECT TO COVERED PRODUCTS IS LIMITED TO AN AMOUNT EQUAL TO THE PURCHASER'S ORIGINAL PURCHASE PRICE PAID FOR SUCH PRODUCT.

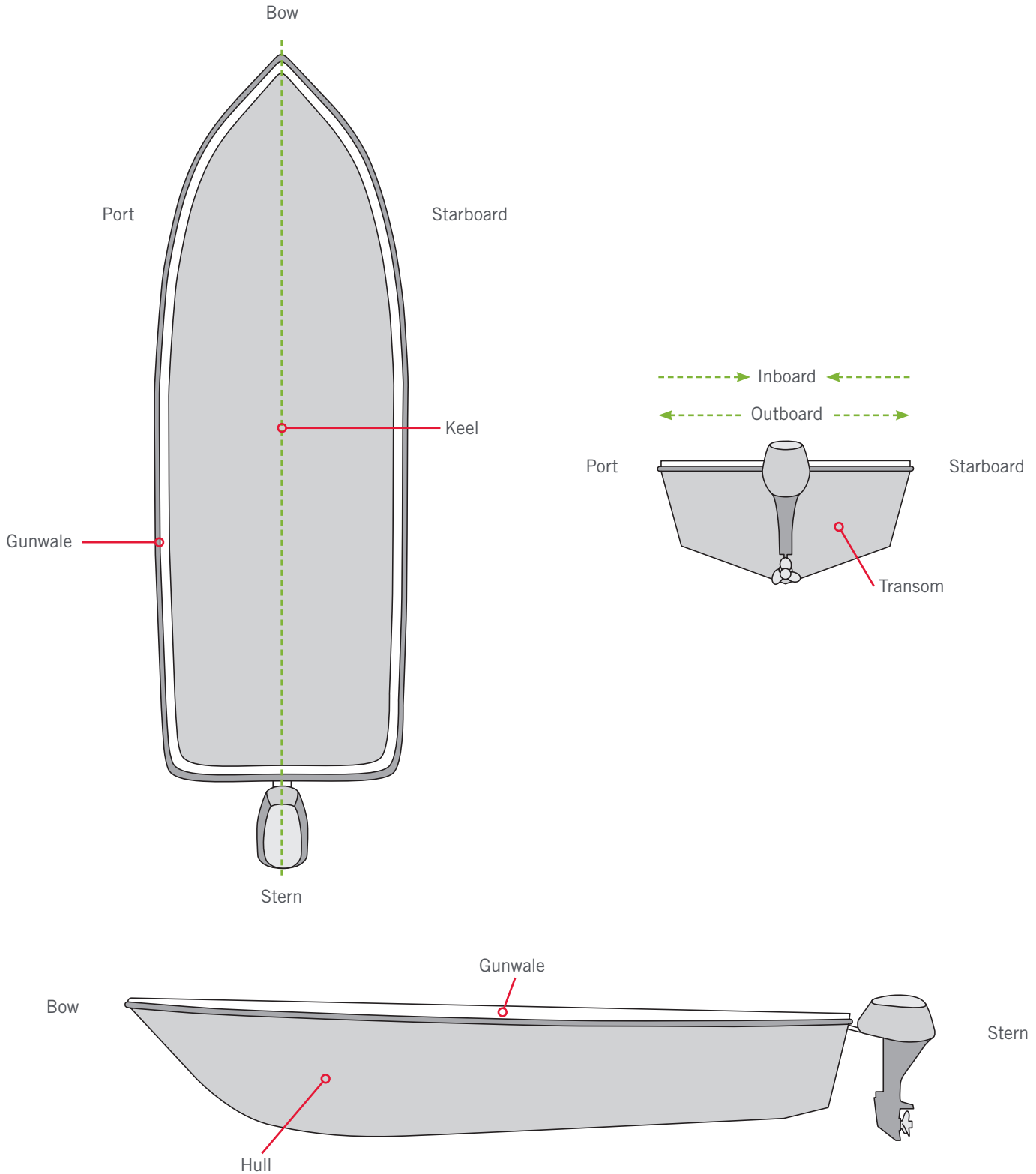
How to Obtain Warranty Service

To obtain warranty service in the U.S., the product believed to be defective, and proof of original purchase (including the date of purchase), must be presented to a Minn Kota Authorized Service Center or to Minn Kota's factory service center in Mankato, MN. any charges incurred for service calls, transportation or shipping/freight to/from the Minn Kota Authorized Service Center or factory, labor to haul out, remove, re-install or re-rig products removed for warranty service, or any other similar items are the sole and exclusive responsibility of the purchaser. Products purchased outside of the U.S. must be returned prepaid with proof of purchase (including the date of purchase and serial number) to any Authorized Minn Kota Service Center in the country of purchase. Warranty service can be arranged by contacting a Minn Kota Authorized Service Center or by contacting the factory at 1-800-227-6433 or email service@minnkotamotors.com. Products repaired or replaced will be warranted for the remainder of the original warranty period [or for 90 days from the date of repair or replacement, whichever is longer]. For any product that is returned for warranty service that JOME finds to be not covered by or not in breach of this limited warranty, there will be a billing for services rendered at the prevailing posted labor rate and for a minimum of at least one hour.

NOTICE: Do not return your Minn Kota product to your retailer. Your retailer is not authorized to repair or replace products.

THERE ARE NO EXPRESS WARRANTIES OTHER THAN THESE LIMITED WARRANTIES. IN NO EVENT SHALL ANY IMPLIED WARRANTIES INCLUDING ANY IMPLIED WARRANTIES OF MERCHANTABILITY OR FITNESS FOR PARTICULAR PURPOSE, EXTEND BEYOND THE DURATION OF THE RELEVANT EXPRESS LIMITED WARRANTY. IN NO EVENT SHALL JOME BE LIABLE FOR PUNITIVE, INDIRECT, INCIDENTAL, CONSEQUENTIAL OR SPECIAL DAMAGES. Without limiting the foregoing, JOME assumes no responsibility for loss of use of product, loss of time, inconvenience or other damage. HOW DOES STATE LAW APPLY? Some states do not allow limitations on how long an implied warranty lasts or the exclusion or limitation of incidental or consequential damages, so the above limitations and/or exclusions may not apply to you. This warranty gives you specific legal rights and you may also have other legal rights which vary from state to state.

KNOW YOUR BOAT



FEATURES



NOTICE: Specifications subject to change without notice. This diagram is for reference only and may differ from your actual Talon.

INSTALLATION

INSTALLING THE TALON

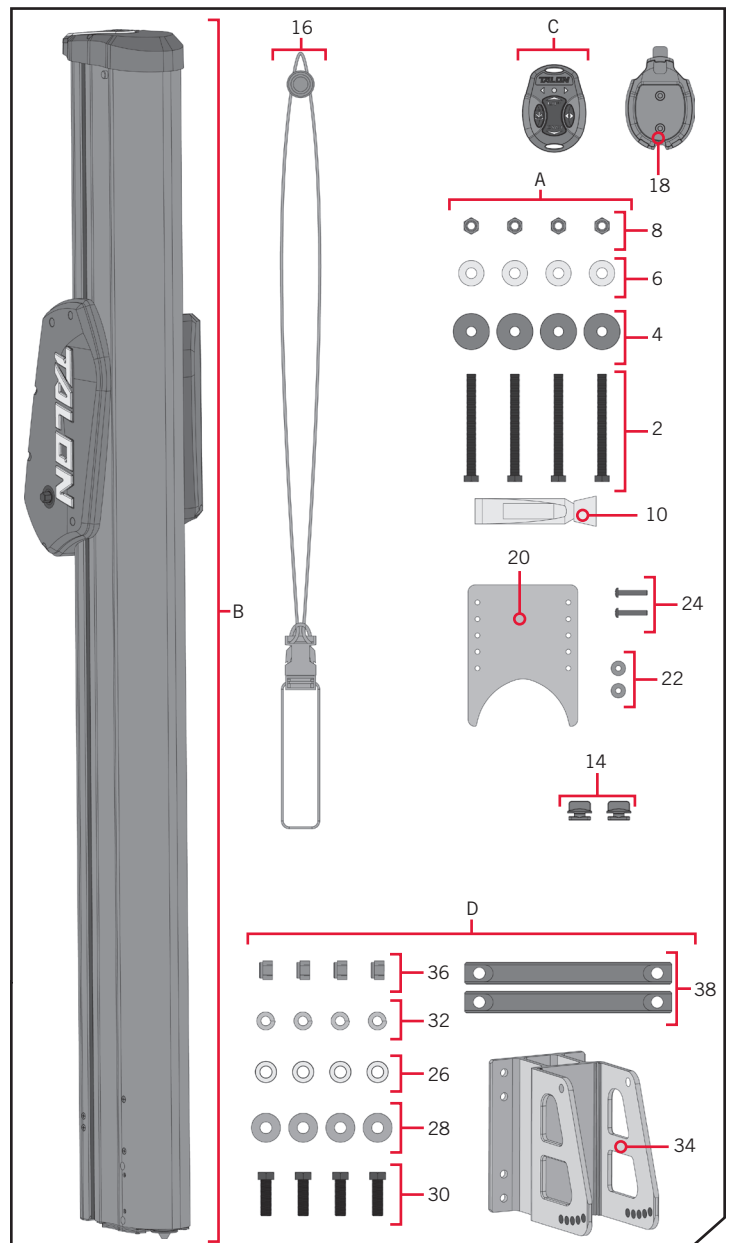
Your new Talon includes the hardware you will need to install it directly to the transom of your boat. If you have an irregular shaped transom that cannot accept a direct mount, or you prefer to mount the Talon with an adapter bracket for ease of mounting and removal, please visit minnkotamotors.com for details on our Talon adapter brackets. For installation with a Talon adapter bracket, refer to the installation instructions provided with the bracket. For compatible Talon adapter brackets, to locate the nearest dealer, or for additional product support, please visit minnkotamotors.com. To install the Talon directly to the boat, please follow the directions provided in these installation instructions. Please review the parts list, mounting considerations and tools needed for installation prior to getting started.

INSTALLATION PARTS LIST

Item / Assembly	Part #	Description	Qty.
A Items 2-12	2994903	TALON HARDWARE BAG ASSY	1
2	2373525	BOLT-5/16-18 X 3 1/2" HHCS SS	4
4	2371749	WASHER-FLAT 5/16 SS	4
6	2371752	WASHER-FENDER, 5/16, SS	4
8	2223100	NUT-5/16-18 NYLOCK S/S	4
10	2378608	ANTI SEIZE TUBE, 4CC, TALON	1
12	2014802 ▲	BAG-ZPLCK(4x6)4ML ANTISTATIC	1
B	✳	TALON ASSEMBLY	1
14	2372930	CORD RETAINER	2
16	2390801	LANYARD, REMOTE	1
C	2994150	NEW BT TRANSMITTER ASSY	1
18	2371829	BRACKET, RMT DASH MNT HLDR	1
20	2376447	WATER SHIELD, DEFLECTOR - TALON 2	1
22	2371754	#8 WASHER, 1/2" OD, SS	2
24	2263434	#8-18 X 1 SS PPH	2
D Items 26-38	2778725	MOUNTING BRACKET ASSEMBLY	1
26	2371758	WASHER-3/8 HD FLAT SS	4
28	2378716	GUARD, EXTRUSION BRACKET	4
30	2383459	SCREW-3/8-24 X 1.25 HHCS SS	4
32	3391706	WASHER-LOCK 3/8"	4
34	2378725	BRACKET-TILT, MACH (SUB)	1
36	2373138	3/8-24 NYLOK NUT, SS	4
38	2373815	TALON MOUNTING STRAP	2
40	2377170 ▲	MANUAL, TALON BT	1
42	2377171 ▲	MANUAL, INSTALL GUIDE T3	1

✳ This part is included in an assembly and cannot be ordered individually.

▲ Not shown on Parts Diagram.



MOUNTING CONSIDERATIONS

Minn Kota recommends mounting the Talon directly to the transom of the boat with the Mounting Bracket. Your Talon comes complete with all the necessary hardware to mount directly to the transom/stern. The Talon may also be mounted using an optional adapter plate when direct transom mounting is not possible or desired due to obstructions or irregular-shaped transoms. For more information on universal adapter brackets and other Minn Kota® Talon accessories, please visit minnkotamotors.com. When using an adapter bracket to mount the Talon, please use the instructions included with the accessory.

In order to use the direct mount installation, the following conditions need to be met:

1. Unobstructed Mounting - When selecting the Talon Mounting Bracket mounting location, examine your boat to ensure that you will not drill into any obstructions and that the hardware will be accessible for assembly.

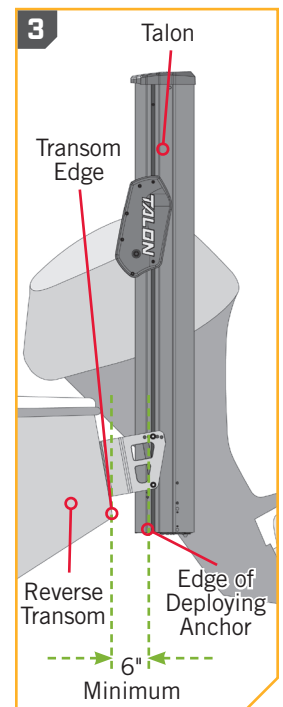
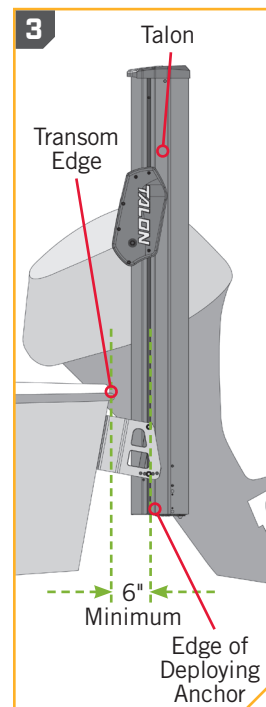
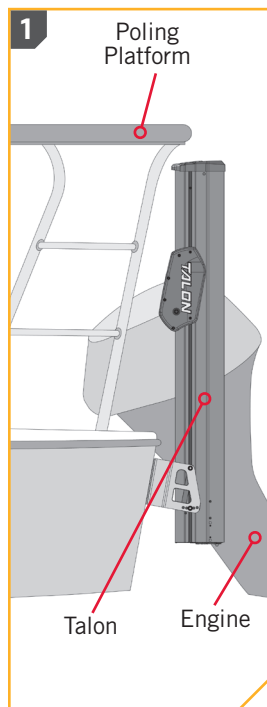
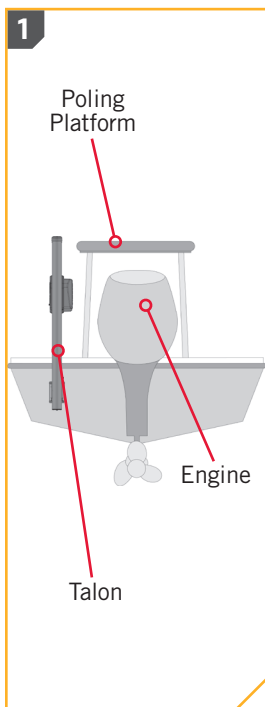
2. Unobstructed Deployment and Retraction - Talon is designed to mount on either the port or starboard side of the transom. Talon must have a clear, unobstructed path to deploy. Check to make sure that your proposed location will allow the anchor to deploy and retract without hitting trim tabs, poling platforms, ladders, engine or other obstructions. You should also consider your fishing methods when selecting the mounting location.

3. Transom to Talon Clearance - The Talon Mounting Bracket included with your unit will allow for approximately 6" of clearance from the transom to the front edge of the deploying anchor. **When mounting the Talon Mounting Bracket directly to the transom, Minn Kota suggests installing the Mounting Bracket in the highest possible location.** This will provide the most clearance, and the greatest amount of vertical and angular adjustability.



View accessories available for your Talon at minnkotamotors.com.

NOTICE: Some boats may be manufactured with a reverse transom angle. In these cases, the Talon mounting bracket may be mounted upside-down to compensate for the reverse angle.



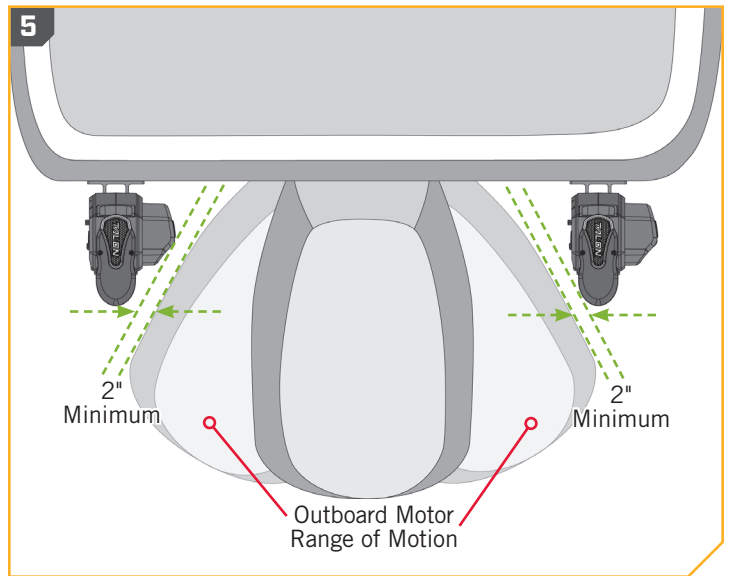
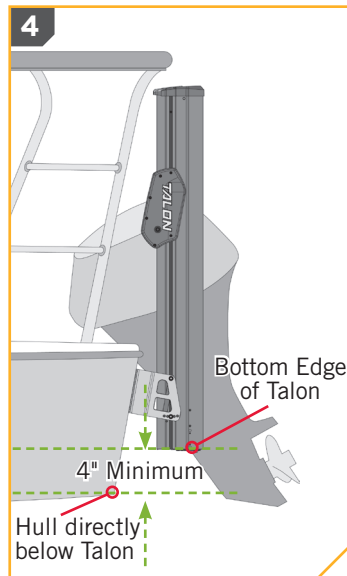
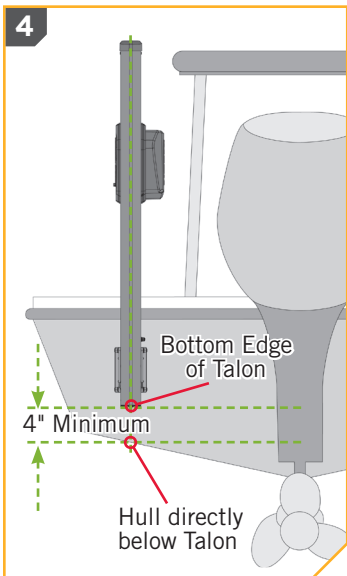
INSTALLING THE TALON

4. Talon to Hull Clearance - The bottom edge of the Talon should never be less than 4" above the hull directly below the Talon to prevent spray and drag conditions.

5. Talon to Engine Clearance - When selecting a mounting location make sure that no interference exists between the Talon and your engine during normal operation. Once you have selected your mounting location, trim the engine all the way up and all the way down, and steer the engine fully to and away from the side selected. Ensure there is a minimum of two to three inches of clearance from any point on the Talon.

NOTICE: All bass boats should mount the Talon as flush with the bottom of the Talon mounting bracket as possible to mitigate spray while underway.

NOTICE: In some instances, boat manufactures have begun to make hollow boat Transoms. We recommend speaking to your local boat dealer or OEM Manufacturer for mounting recommendations.



If these conditions are not met, please consider using an optional adapter plate. There are many adapter plates that allow for greater adjustability of the mount and allow for greater clearances to operate the Talon. Please visit minnkotamotors.com to learn more about selecting and installing an adapter plate.

CAUTION

Follow all instructions and heed all safety considerations. Minn Kota recommends having a second person help with installation. Not following proper installation and rigging instructions may result in injury. Mounting the Talon too low can cause undue drag from the Talon or Mounting Bracket when operating the boat. It is important to mount the Talon as recommended to avoid unsafe driving conditions.

TOOLS AND RESOURCES REQUIRED >

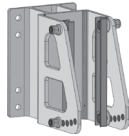
- Drill
- 5/16" Drill Bit
- 1/2" Box End or Socket Wrench
- 9/16" Box End or Socket Wrench
- Marine Grade Sealant
- Cable Ties
- Tape Measure
- 30ft/lb capacity Torque Wrench
- Pencil or similar marking tool
- Pliers
- A second person to help with installation
- Heat Shrink with Adhesive
- Wire no smaller than 12AWG
- Voltmeter

INSTALLATION >

> Installing the Talon

1

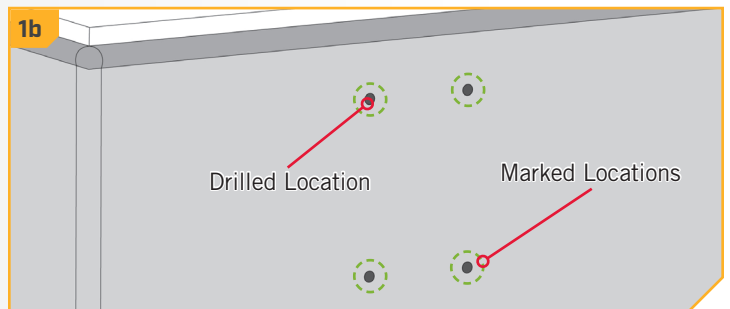
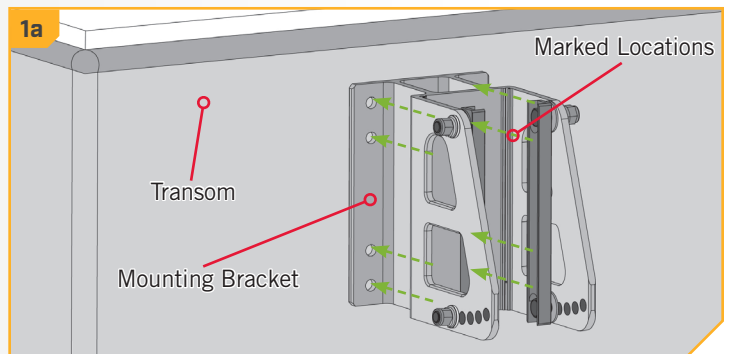
ITEM(S) NEEDED



#D x 1

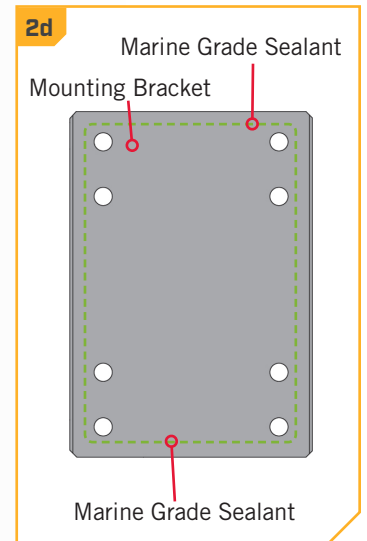
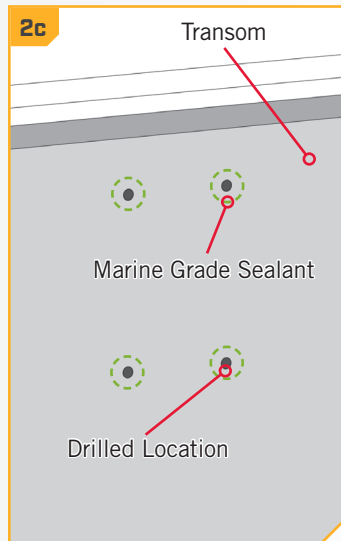
- a. Review the Mounting Considerations to determine if it is acceptable to complete a direct mount of the Talon Mounting Bracket. If acceptable, position the Mounting Bracket (Item #D) at the selected location and mark the Mounting Holes with a pencil or similar marking tool. Any of the eight Mounting Holes can be used with at least one bolt in each corner of the bracket, or 2 on each side.
- b. Double check that the mounting location is clear to drill holes and then use a Drill with a 5/16" Drill Bit to drill through the Transom/Stern of the boat on the marked locations.

NOTICE: When drilling the marked holes, make sure that the drill bit is perpendicular to the Transom/Stern of the boat and that the holes are being drilled straight. Not drilling the holes straight will give the mounting hardware a poor fit.



2

- c. Place a 1/8" bead of Marine Grade Sealant on the Transom of the boat around the drilled holes.
- d. Place the Marine Grade Sealant on the face of the Mounting Bracket that will contact the boat Transom/Stern when mounted. Keep the sealant approximately centered between the outside edge of the Mounting Bracket and the Mounting Holes. Once the sealant is in place, align the Mounting Bracket in the desired orientation with the holes that were drilled in the Transom/Stern.



INSTALLING THE TALON

3

ITEM(S) NEEDED

#2 x 4

#4 x 4

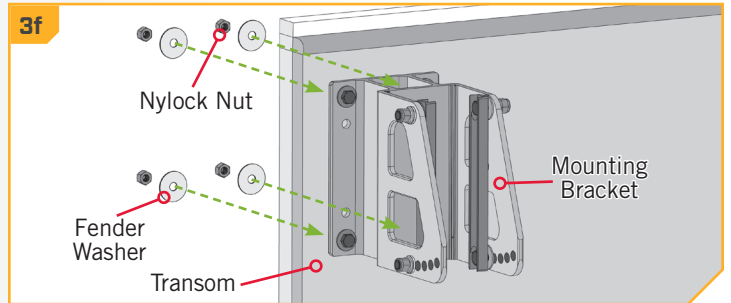
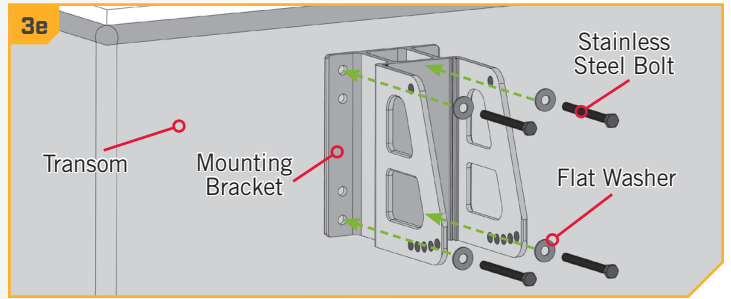
#6 x 4

#8 x 4

e. Take each of the four 3-1/2" Stainless Steel Bolts (Item #2) and place one Flat Washer (Item #4) on them. Place one Bolt in each of the Mounting Holes so that it passes through the Mounting Bracket and the drilled holes on the transom of the boat.

f. Place a Fender Washer (Item #6) on the end of each Bolt on the inside of the Transom and secure each with a Nylock Nut (Item #8). Tighten the bolts with a 1/2" Box End or Socket Wrench. Do not over-tighten.

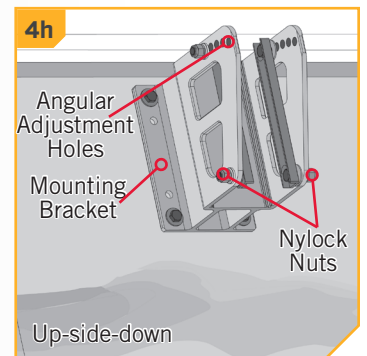
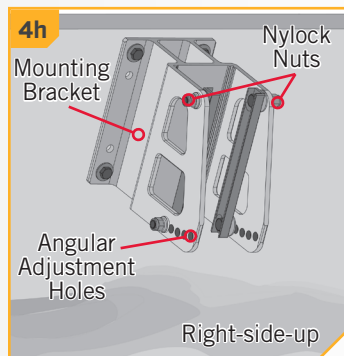
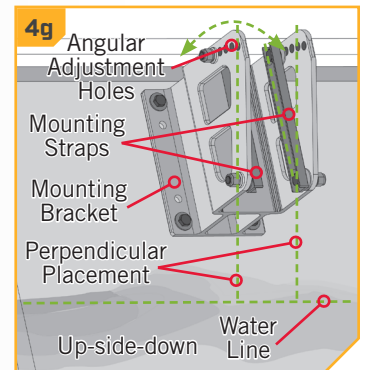
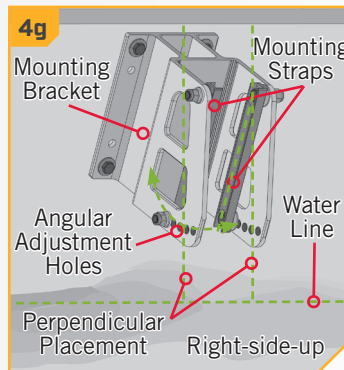
NOTICE: To prevent seizing of the stainless steel hardware, do not use high speed installation tools. Applying an anti-seize will help prevent seizing.



4

g. Once the Mounting Bracket is secured, note the Mounting Straps located on the inside of the Mounting Bracket. The Mounting Straps need to be adjusted so that they are as perpendicular as possible to the waterline. The five Angular Adjustment Holes located on one end of the Mounting Straps allows for 25 degrees of motion to accommodate the variability of different transom styles.

h. If the Mounting Straps are not perpendicular, use a 9/16" Box End or Socket Wrench to adjust the Nylock Nuts. The Bolt that passes through the Mounting Strap, opposite from the Angular Adjustment Holes should be loosened, but not removed.



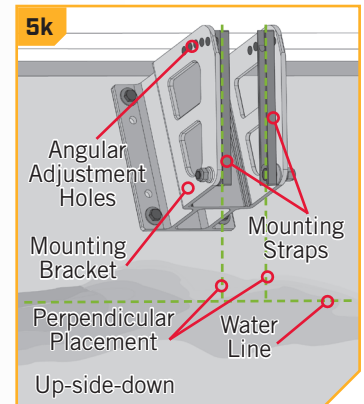
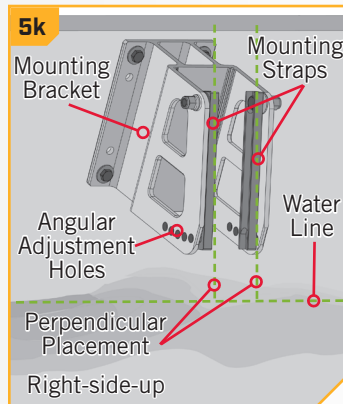
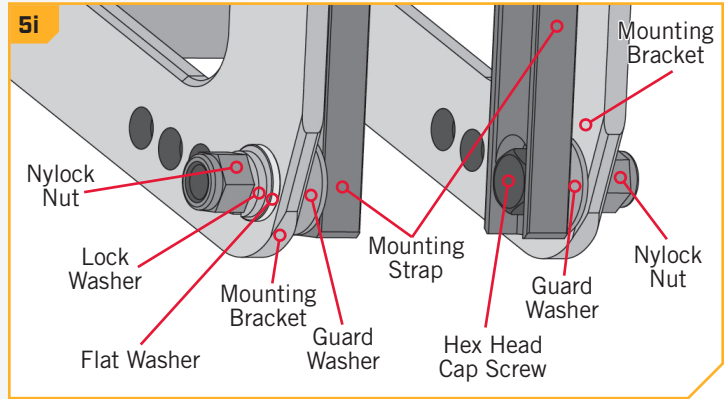
5

- i. Next, note the position of the nuts, washers and screws holding the Mounting Strap in place. The Hex Head Cap Screws pass from the inside to the outside of the bracket. They first pass through the Mounting Strap, then a Guard Washer, then the Mounting Bracket. On the outside of the bracket, the screw first holds a Flat Washer and then a Lock Washer before being secured with a Nylock Nut.
- j. After the appropriate Nylock Nut has been loosened, locate the Nylock Nut opposite of the loosened one on the Mounting Strap and remove it.
- k. Adjust the Mounting Straps so that they are as perpendicular to the waterline as possible.



CAUTION

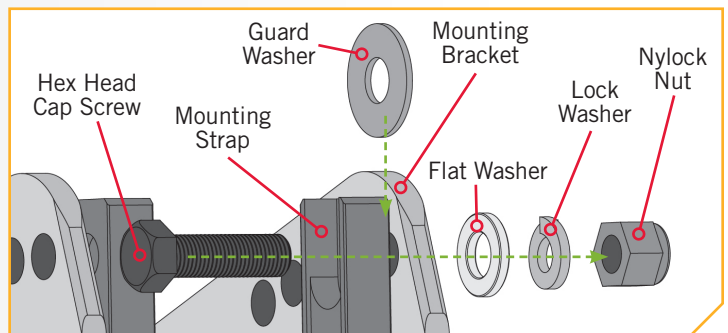
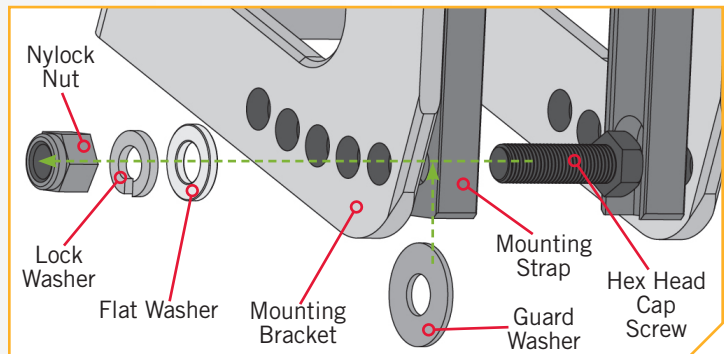
Do not use the Mounting Bracket or Talon as a step to enter the boat. The bracket will be slippery when wet and is not designed to support people. Using this product as a step may result in injury.



6

- l. Once perpendicular, replace the hardware that was removed by selecting one of the five Angular Adjustment Holes that will support the Mounting Strap at the most perpendicular position.
- m. To replace the bolts, pass them from the inside to the outside, through the Mounting Strap, then the Guard Washer, then the Mounting Bracket, a Flat Washer and Lock Washer. Then loosely secure with a Nylock Nut. The nuts will be fully secured later in the installation.

NOTICE: To prevent seizing of the stainless steel hardware, do not use high speed installation tools. The hardware holding the Mounting Straps in place has a pre-applied anti-seize.



INSTALLING THE TALON

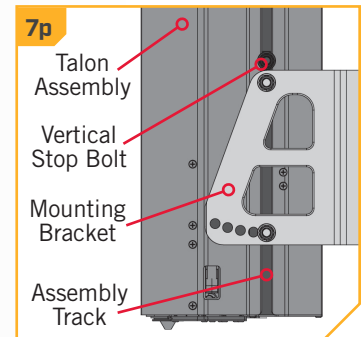
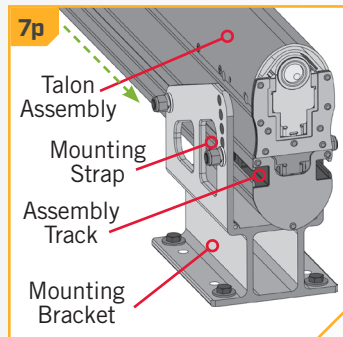
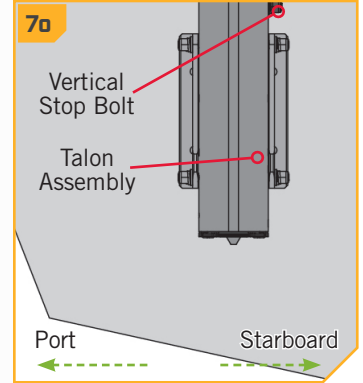
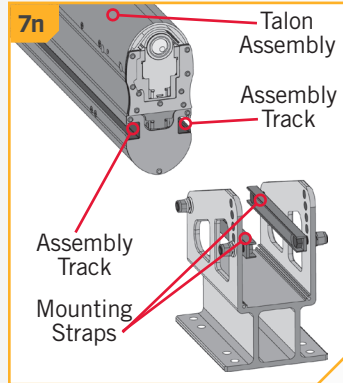
7

ITEM(S) NEEDED



NOTICE: We recommend a second person to help with this step of the installation.

- n. Next the Talon Assembly should be installed on the Mounting Bracket. Take the Talon Assembly (Item #B) and notice that there is an Assembly Track located on both sides of the Talon.
- o. When the Talon is properly oriented as it would be installed, there is a single Vertical Stop Bolt located on the Starboard side of the Talon along the Assembly Track. The Vertical Stop Bolt is used as a reference point or guideline to stop the Talon and position the Mounting Straps in the Assembly Track. Ensure that the Vertical Stop Bolt is secured in the approximate final position.
- p. Carefully lift the Talon Assembly into the Mounting Bracket and align the Mounting Straps with the Assembly Track. Slide the Guard Washers to the inside wall of the Mounting Bracket, so that they sit between it and the Talon Assembly. Slide the Talon Assembly down the Assembly Tracks until it comes in contact with the Vertical Stop Bolt.

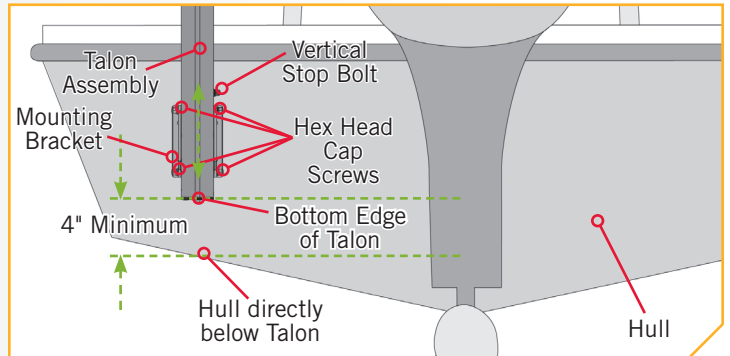


INSTALLING THE WATER DEFLECTION SHIELD

8

- q. While supporting the Talon Assembly, adjust it and the Vertical Stop Bolt up or down in the Mounting Bracket so that the bottom of the Talon Assembly is not less than 4 inches above the Bottom of the hull of the boat, or the waterline of the boat. Once in place, temporarily tighten the Vertical Stop Bolt.
- r. Double check the placement of the Talon Assembly and make sure it meets all of the mounting considerations. Make any adjustments as necessary. When the position of the Talon Assembly is acceptable, secure the four Hex Head Cap Screws and Nylock Nuts holding the Mounting Straps in place with a 9/16" Box End or Socket Wrench. Use a torque wrench to tighten to a recommended torque of 20 to 30 ft-lbs. Tighten the Vertical Stop Bolt.

NOTICE: Additional adjustments may need to be made to the mount after a trial run with the boat on the water. Periodically re-tighten the four nuts and screws to 20 to 30 ft-lbs.



CAUTION

Check tension of the 4 vertical adjustment nuts after initial use and periodically thereafter to ensure they are at the recommended torque of 20 to 30 ft-lbs.

Installing the Water Deflection Shield

The Water Deflection Shield is designed to prevent undesirable spray conditions while the boat is traveling over water. The Water Deflection Shield is installed after the Talon is successfully installed on the boat. Each installation will be different and is dependent upon the position of the Talon as it sits in the Mounting Bracket. The Water Deflection Shield is installed on the bottom side of the Mounting Bracket as it is attached to the boat. The installation is designed to be adjustable to suit different angular positions.

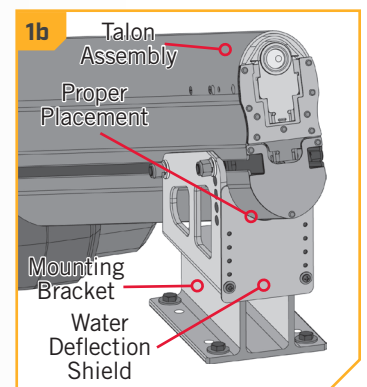
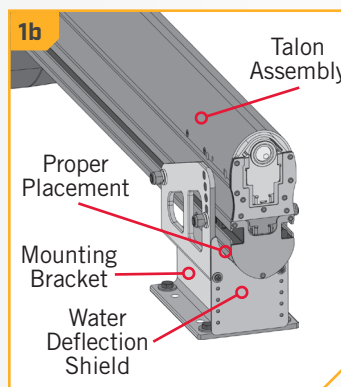
1

ITEM(S) NEEDED



#20 x 1

- a. Make sure that the Talon is positioned as recommended and installed properly by reviewing the Installing the Talon section of this manual.
- b. Once complete, take the Water Deflection Shield (Item #20), and determine where it will be installed on the Mounting Bracket. When placed properly, the curved edge of the shield will sit against the surface of the Talon Assembly that sits inboard in the Mounting Bracket.



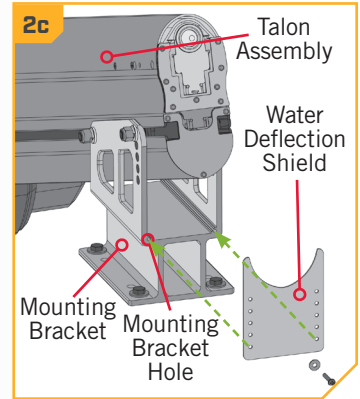
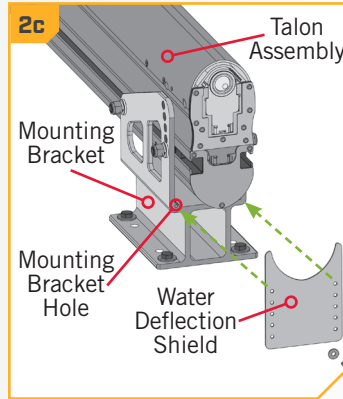
INSTALLING THE POWER CABLE AND DEPLOYMENT NOTIFICATION ALARM WIRE



2

- c. Align the closest set of holes in the shield with the holes in the bottom of the Mounting Bracket. The set of holes used on the shield will vary for each individual installation.

NOTICE: The Water Deflection Shield will always be installed on the bottom side of the Mounting Bracket regardless of the orientation that the Mounting Bracket was installed. There should be no gap between the shield and the Talon.



3

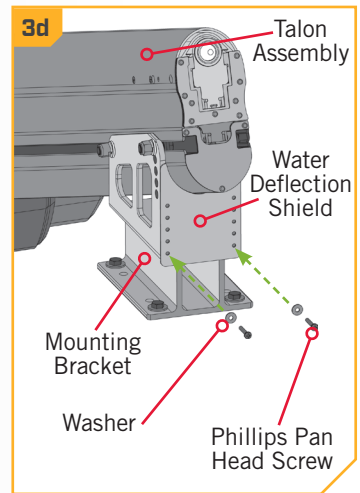
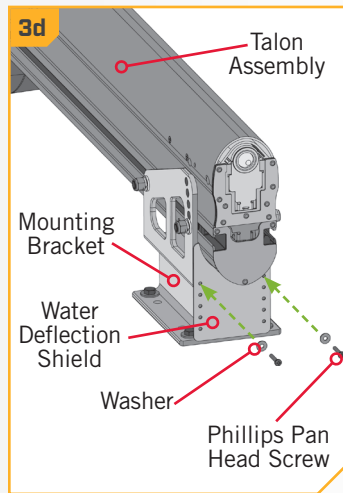
ITEM(S) NEEDED

- #24 x 1
- #22 x 1

- d. Take two each of the 1/2" Washers (Item #22) and two of the 1" Phillips Pan Head Screws (Item #24) to attach the shield to the Mounting Bracket. Place one washer on each of the screws. The screw should pass through a washer, then the Water Deflection Shield and into the Mounting Bracket. Secure the screws using a #2 Screwdriver.

NOTICE: To prevent seizing of the stainless steel hardware, do not use high speed installation tools. Applying an anti-seize may help prevent seizing.

NOTICE: If you adjust the angle of your Talon after this step is complete, you will need to re-adjust the placement of the Water Deflection Shield to ensure proper functionality.

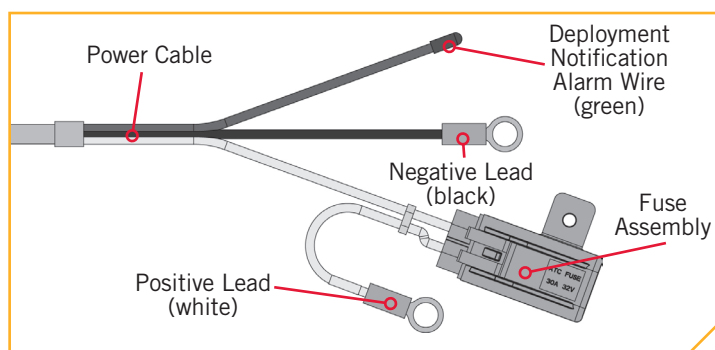


INSTALLING THE POWER CABLE AND DEPLOYMENT NOTIFICATION ALARM WIRE

› Installing the Power Cable and Deployment Notification Alarm Wire

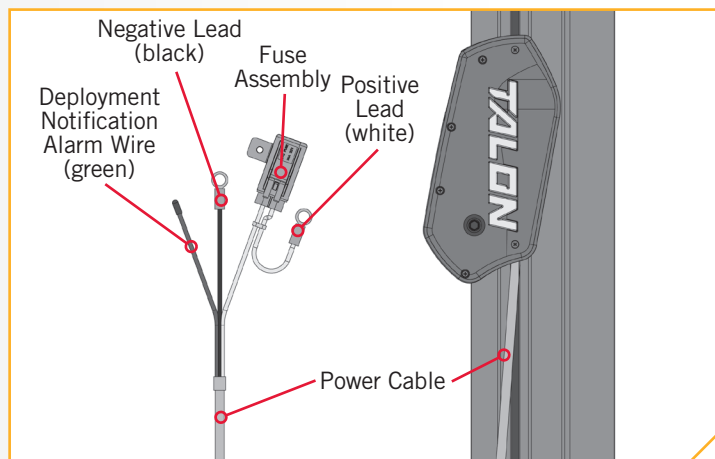
The Talon Power Cable consists of a 30 amp in-line resettable fuse on the positive lead, a negative lead, and a Deployment Notification Alarm Wire. The Deployment Notification Alarm Wire is a green wire that comes from the Power Cable and, when installed, is used to sound an alarm, when the Ignition Switch is turned to the "on" position with the Talon deployed. When connected and the Talon is properly stowed, no tone will be emitted when the Ignition Switch is turned "on". Minn Kota recommends connecting the Power Cable to the starting battery through a battery selector/power disconnect switch. The Talon does draw a small amount of residual current from the battery even when not in use. By connecting the positive lead of the Talon Power Cable through a battery selector/power disconnect switch it will disconnect power to the Talon when the Power Switch is "off". The Power Switch must have a minimum amp rating of 60 amps per Talon. If you are not connecting the Talon to a battery selector/power disconnect switch, it can be connected directly to the starting battery, but should be disconnected from power when the Talon is not in use. The Power Cable can be routed in a number of different ways depending on a boat's unique setup. It is recommended to route the Power Cable using the shortest and cleanest route from the Talon to the battery connection. Please see the Battery & Wiring Installation section of this Manual for more information.

NOTICE: It is not necessary to connect the Deployment Notification Alarm Wire in order for the Talon to function, but it is needed to comply with warranty requirements.



1

- a. Inspect the selected wire routing and make sure that there are no sharp edges, obstacles or obstructions that may damage the Power Cable. If routing along the gas outboard wire or a cable harness assembly, you may need to open any wire ties or clamps to allow the Power Cable to pass through.
- b. Carefully route the Power Cable along the intended path. Remove any slack in the Power Cable so that it routes without any bulges, lumps or kinks.
- c. The Power Cable for the Talon splits at the end to include the positive lead with a fuse, a negative lead and then the Deployment Notification Alarm Wire. If you choose not to connect the Deployment Notification Alarm, skip to step 4.

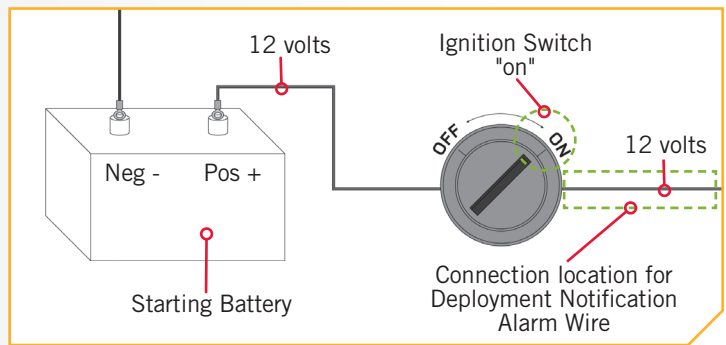
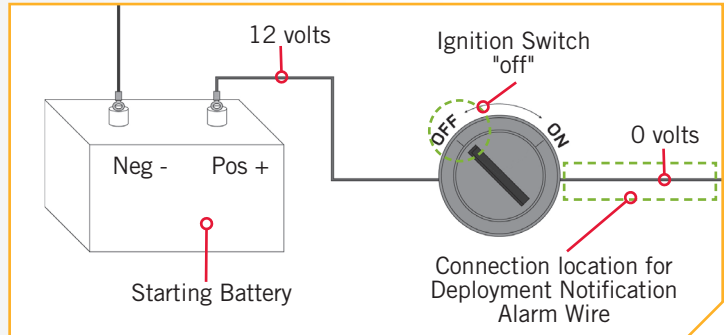


NOTICE: If unsure of how to wire the Talon Power Cable, please see a qualified marine technician.

INSTALLING THE POWER CABLE AND DEPLOYMENT NOTIFICATION ALARM WIRE

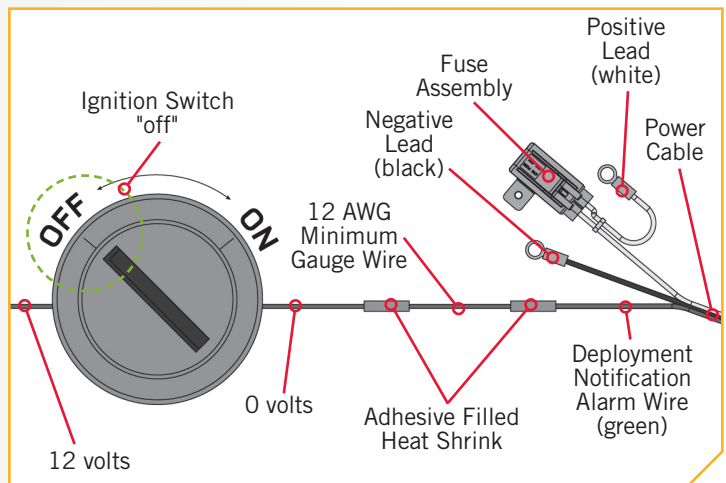
2

- d. The optional Deployment Notification Alarm will be connected to the side of the 12 volt Ignition Switch that lacks power when the switch is turned "off". Use a voltmeter to determine where this connection exists. 12 volts should be present at the connection when the ignition switch is turned to the "on" position and no voltage should be present when the switch is turned to the "off" position.
- e. Next determine if the Deployment Notification Alarm Wire is long enough to reach the intended connection. If additional wire is needed, use a wire that is no smaller than 12 AWG.



3

- f. Be sure that the Ignition Switch is turned to the "off" position. Cut off the sealed end of the green Deployment Notification Alarm Wire on the Power Cable and splice it to the 12 AWG minimum gauge wire, or if there is enough slack in the wire, directly to the switched side of the Ignition Switch that was just tested. Use an adhesive filled heat shrink to waterproof and secure the splice.
- g. If an additional wire was used, close the final connection between the Ignition Switch and the additional 12 AWG wire and seal with an adhesive filled heat shrink.

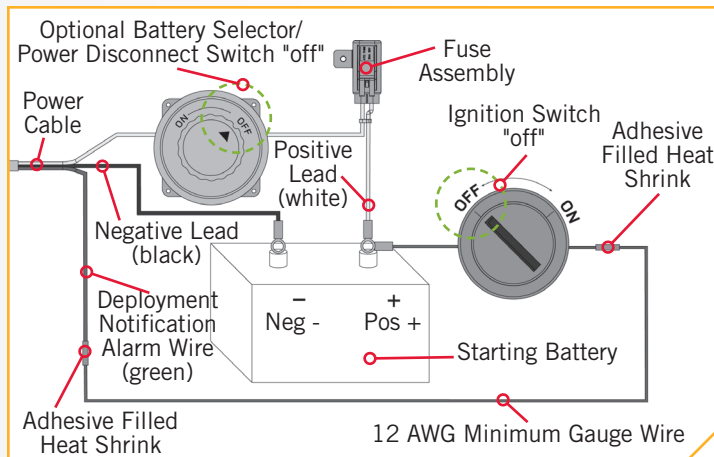


NOTICE: When properly installed the alarm will only sound when the ignition key is turned on when the Talon is not fully retracted.

INSTALLING THE POWER CABLE AND DEPLOYMENT NOTIFICATION ALARM WIRE

4

- h. If connecting to an optional battery selector/power disconnect switch, turn it to the "off" position before connecting the Power Cable.
- i. The positive white lead wire coming from the Power Cable has a red band and contains the Fuse Assembly. This wire connects to the Starting Battery positive (+) terminal or the battery selector positive. Connect the black negative lead of the Power Cable to the Starting Battery negative (-) terminal. If additional wiring needs to be used to make the connections, please see the Battery and Wiring Installation Section of this manual. Secure any splices with an adhesive filled heat shrink tube. Make sure that the Fuse Assembly is used.



NOTICE: For proper American Boat & Yacht Council Compliance, if the Fuse Assembly is removed, the user must install a 30 amp fuse within 7" of the positive battery terminal (+).

5

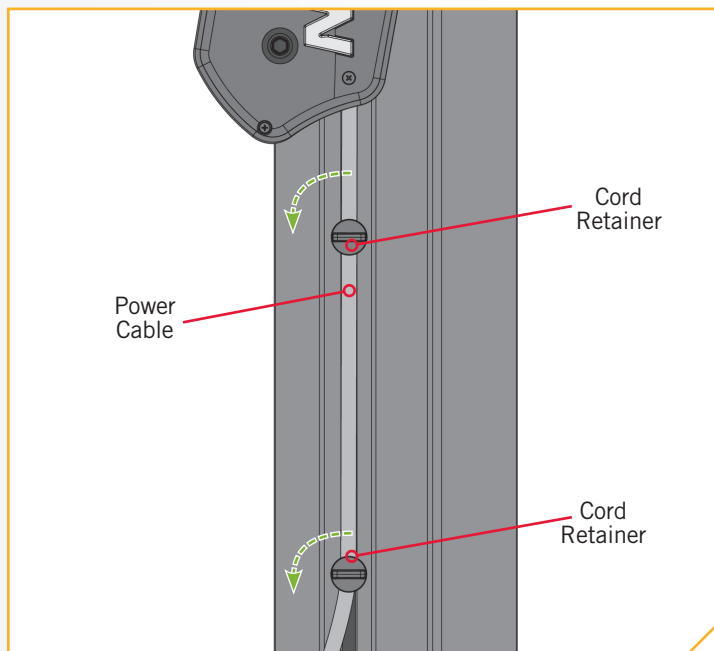
ITEM(S) NEEDED

 #14 x 2

- j. Once the Power Cable has been routed, connected and secured, the remaining loose cable may be pushed inside the Assembly Track that runs vertically along the outside column of the Talon.

NOTICE: Depending on your wiring, there may be more or less slack in the Power Cable. The Cord Retainers use and placement will vary from installation to installation.

- k. Take the two Cord Retainers (Item #14) and push the t-slot portion of them into the Assembly Track. Once positioned use a pair of pliers to turn the Cord Retainer 90 degrees in the Assembly Track to lock it in place.







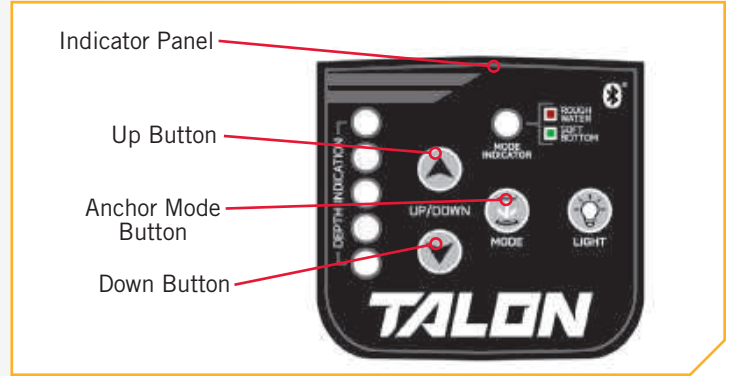
INSTALLING THE POWER CABLE AND DEPLOYMENT NOTIFICATION ALARM WIRE

› Verifying Installation



Once installation is complete, use the following procedure to verify installation and confirm your Talon is ready to use.

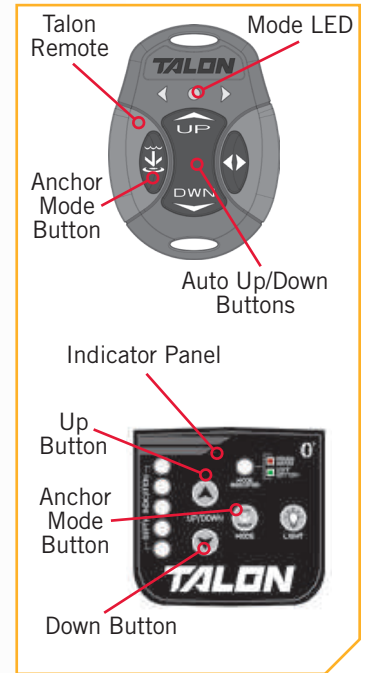
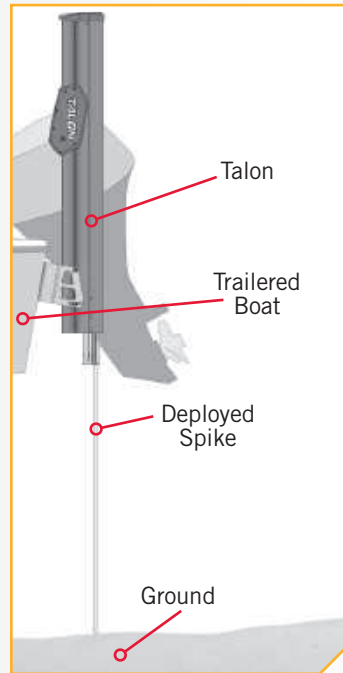
1





- a. For this test your Talon must be able to deploy and make contact with the ground without hitting any obstructions. Carefully inspect the area around the Talon for any obstructions that may interfere with deployment.
- b. If using a battery selector, or power disconnect switch, turn the selector switch to the “on” position. On the Indicator Panel of the Talon are three buttons needed for this verification, the Up  button, the Down  button and the Mode  button. Press the Mode  button. Confirm that the Mode Indicator is unlit. If it is not, press the Mode button until the Mode Indicator flashes between green and red and then turns off.



2

- c. Stand clear of the Talon and push the Down  button. The Talon spike will begin to deploy. The Depth Indication LEDs on the Indicator Panel will track the progress of the Talon as the Spike deploys.
- d. When the Spike comes in contact with the ground, the unit will automatically shut off. After the initial shut off, you will hear two (2) additional deploy cycles (or clicks), each 3-seconds apart from the initial ground contact.
- e. If the Talon functions as described above, press the Up  button. The Talon will fully retract. If the Talon does not function as described, double check all wiring connections and verify proper polarity to white and black power leads and retest.



NOTICE: To perform the same test using the remote instead of the buttons on the Indicator Panel, use the Anchor Mode  button, the Up  button, and the Down  button on the remote. To deploy the anchor on the remote, the Down  button must be double pressed.

BATTERY & WIRING INSTALLATION

BOAT RIGGING & PRODUCT INSTALLATION

For safety and compliance reasons, we recommend that you follow American Boat and Yacht Council (ABYC) standards when rigging your boat. Altering boat wiring should be completed by a qualified marine technician. The following specifications are for general guidelines only.

CAUTION

Please read the following information before connecting your Talon(s) to your battery in order to avoid damaging your product and/or voiding your warranty.

CAUTION

These guidelines apply to general rigging to support your Minn Kota product. Powering multiple Talons or additional electrical devices from the same power circuit may impact the recommended conductor gauge and circuit breaker size. If you are using wire longer than that provided with your unit, follow the conductor gauge and circuit breaker sizing table below. If your wire extension length is more than 25 feet, we recommend that you contact a qualified marine technician.

CAUTION

An over-current protection device (circuit breaker or fuse) must be used. Coast Guard requirements dictate that each ungrounded current-carrying conductor must be protected by a manually reset, trip-free circuit breaker or fuse. The type (voltage and current rating) of the fuse or circuit breaker must be sized accordingly. The table below gives recommended guidelines for circuit breaker sizing.

CONDUCTOR GAUGE AND CIRCUIT BREAKER SIZING TABLE

This conductor and circuit breaker sizing table is only valid for the following assumptions:

1. No more than 2 conductors are bundled together inside of a sheath or conduit outside of engine spaces.
2. Each conductor has 105° C temp rated insulation.
3. No more than 5% voltage drop allowed at full power based on published product power requirements.

Max Amp Draw	Circuit Breaker	Wire Extension Length				
		5 feet	10 feet	15 feet	20 feet	25 feet
30 Amps	30 Amp @ 12 VDC	10 AWG	10 AWG	8 AWG	6 AWG	4 AWG

NOTICE: Wire Extension Length refers to the distance from the batteries to the Talon leads. Maximum Amp Draw values only occur intermittently during select conditions and should not be used as continuous amp load ratings.

Reference

United States Code of Federal Regulations: 33 CFR 183 – Boats and Associated Equipment ABYC E-11: AC and DC Electrical Systems on Boats

SELECTING THE CORRECT BATTERIES



SELECTING THE CORRECT BATTERIES

The Talon will operate with any lead acid, marine 12 volt battery. For best results, Minn Kota recommends connecting to the starting battery. Maintain battery at full charge. Proper care will ensure having battery power when you need it, and will significantly improve the battery life. Failure to recharge lead-acid batteries (within 12-24 hours) is the leading cause of premature battery failure. Use a multi-stage charger to avoid overcharging. We offer a wide selection of chargers to fit your charging needs. For more information on battery selection and rigging, please visit minnkotamotors.com.

The Talon draws a small amount of residual current from the battery even when not in use. If the Talon will not be used for more than 5 days, the Talon power leads should be disconnected from the battery. Do not connect the Talon to the same batteries that a trolling motor or other accessories are connected to. It is recommended the Talon be connected to the Starting Battery through a battery selector or power disconnect switch. This will disconnect power to the Talon when the Power Switch is "off". If you are not using a battery selector/power disconnect switch, the Talon may be connected directly to the Starting Battery.

WARNING

Never connect the (+) and the (-) terminals of the same battery together. Take care that no metal object can fall onto the battery and short the terminals. This would immediately lead to a short and extreme fire danger.

For proper ABYC compliance, when the factory fuse has been removed, the user must install a 30A fuse within 7" of the positive battery terminal.

NOTICE: The in-line re-settable 30A fuse is designed to protect the system. If this fuse repeatedly trips, faulty wiring could be the cause and must be corrected. If the re-settable fuse itself is suspect, Minn Kota recommends contacting customer service for a proper replacement.

CONNECTING THE BATTERIES

› 12 Volt Systems

1. If connecting to an optional battery selector/power disconnect switch, turn it to the "off" position prior to connecting the power cable.
2. Connect positive (+) white lead to positive (+) battery terminal, or switch positive.
3. Connect negative (-) black lead to negative (-) battery terminal, or switch negative.

WARNING

Observe proper polarity and follow instructions in your boat owner's manual regarding polarity.



WARNING

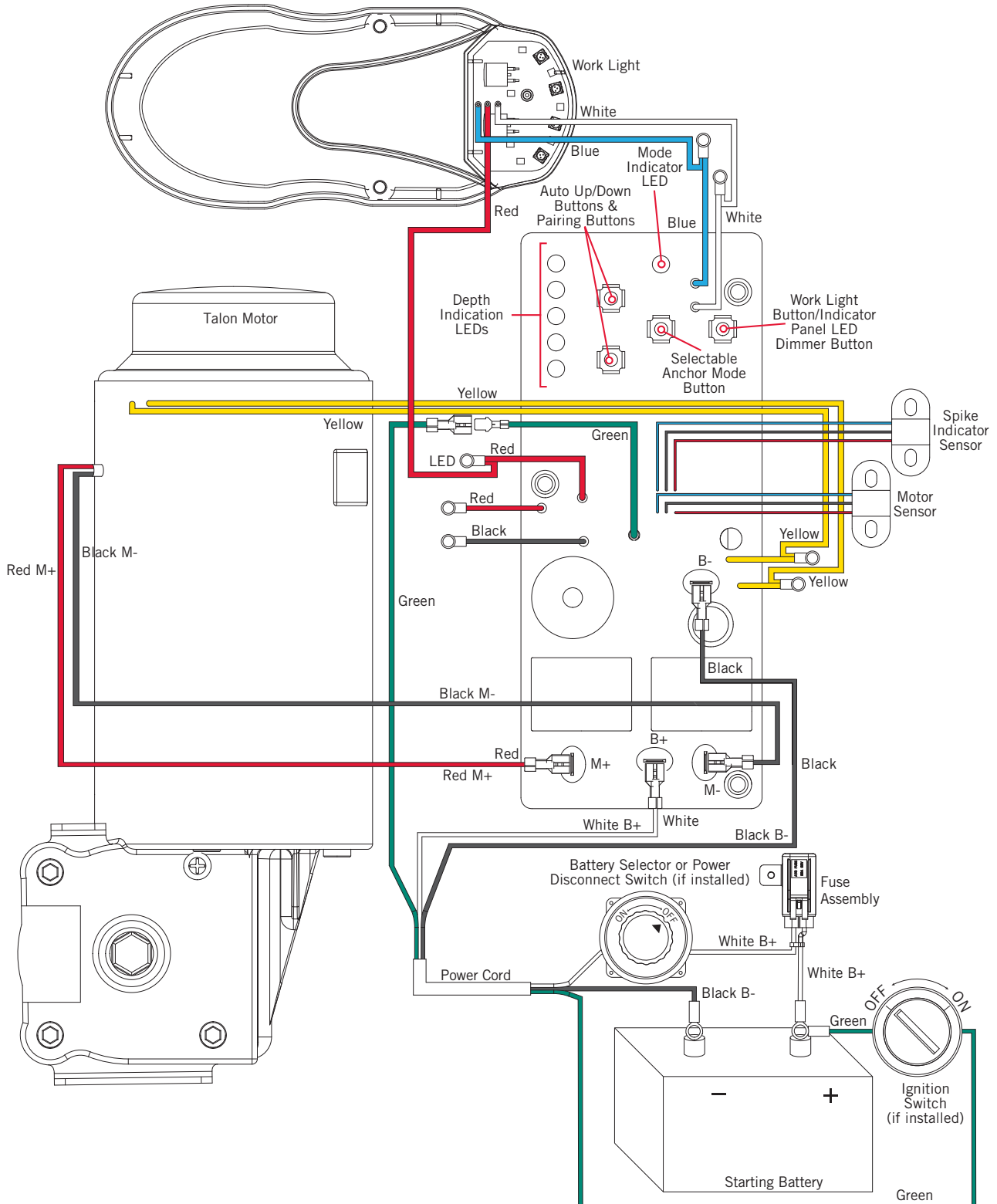
- The Talon draws a small amount of residual current from the battery even when not in use. If the Talon is not be used for more than 5 days, or while the battery/batteries are being charged, the Talon power leads should be disconnected from the battery. It is recommended the Talon be connected to the Starting Battery through a battery selector or power disconnect switch. This will disconnect power to the Talon when the Power Switch is "off". If you are not using a battery selector/switch, the Talon may be connected directly to the starting battery.
- Keep lead wire connections tight and solid to the battery or switch terminals.
- The Starting Battery should be located in a ventilated compartment to avoid sparks from combustible materials.



WIRING DIAGRAM

TALON

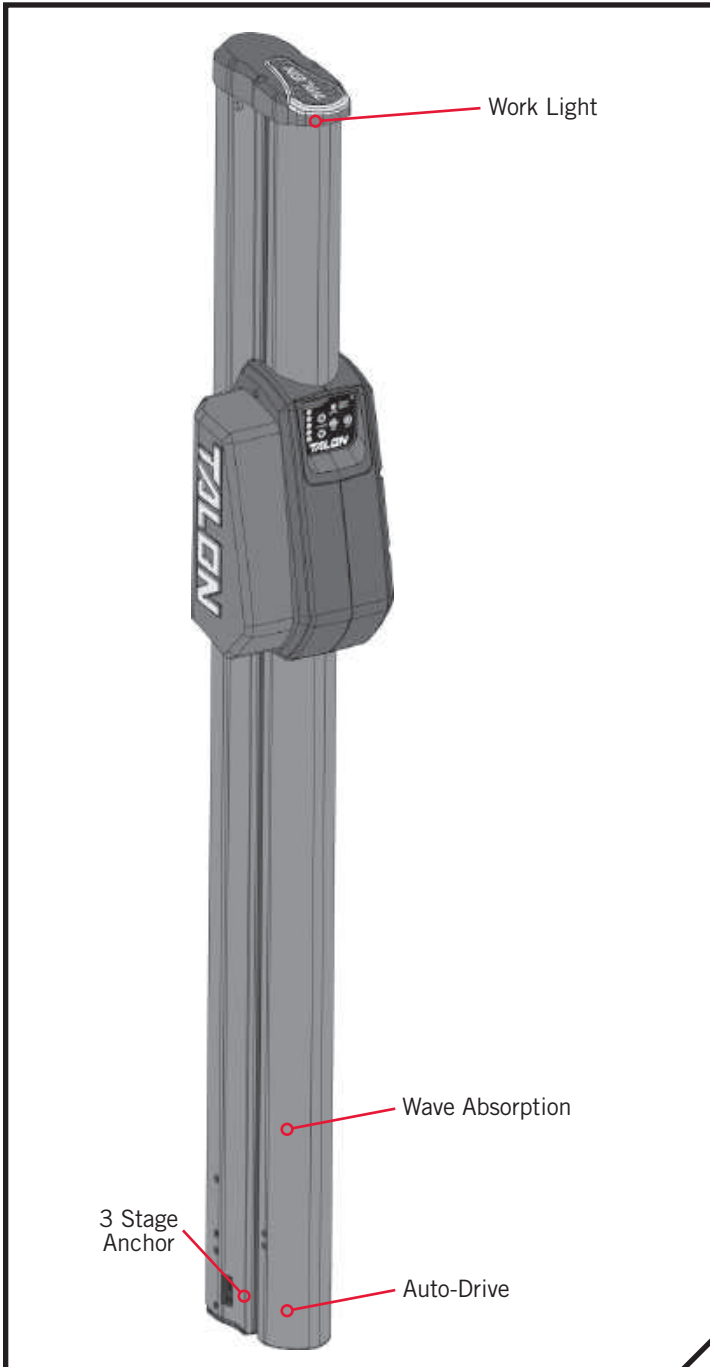
The following Motor Wiring Diagram applies to all Talon models.



USING THE TALON

TALON FEATURES

Become familiar with the features of the Talon to maximize the capabilities this product offers.



› Wave Absorption

With wave absorption, Talon enables your boat to move up or down without affecting the deployed anchor. It uses a built-in floating suspension to keep your boat anchored to the bottom, even in rough water conditions.

› 3-Stage Anchor

Your Talon Anchor works in 3 stages so you can anchor in deeper depths. The first stage of the anchor is designed with a spike for precision anchoring.

› Work Light

Talon is equipped with a work accessory light. When needed it is an easy to use, hands free light that can be toggled in intensity and color to provide adequate lighting based on your need. The Work Light can be operated from the Indicator Panel and the Remote.

› Auto-Drive

In select Modes, Auto-Drive will automatically power the Spike into the bottom with three successive hits, using increasing force on each hit. Talon actually drives the anchor in for you to ensure the anchor is seated. Talon's Auto-Drive stops driving the Spike when the Spike contacts the bottom.



NOTICE: Attempting to retract the Talon before it has completed its automated deployment sequence, will only cancel the deployment sequence in process, and not retract the Talon. You may retract the Talon normally when a deployment sequence has been completed or canceled.

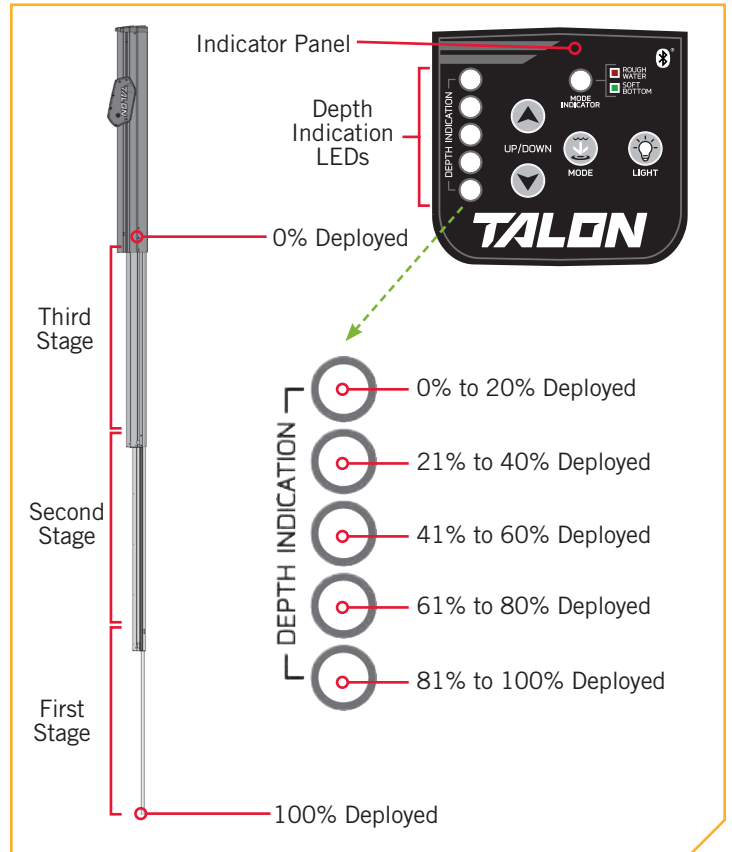
TALON FEATURES

› Depth Indication LEDs

The Depth Indication LEDs display the depth that the anchor is deployed in 20% increments. Each Depth Indication LED will flash while moving through its depth percentage, and turn solid when that depth percentage is passed.

The first Depth Indication LED will flash blue as soon as the Talon is deployed. If the anchor stops for any reason while it is in the top 20% of the deployment sequence, the top LED will stay solid. The top Depth Indication LED will always illuminate to a solid color if the Talon is not fully retracted.

The bottom Depth Indication LED will only illuminate solid when the Talon has reached 100% deployment.



Mode Functions

The Talon operates in three different modes. Each Mode is designed for a specific on water scenario and changes the anchoring behavior of the Talon when it deploys. Talon is capable of anchoring in most conditions and it is important to select the right anchoring mode. The three different Mode functions are:

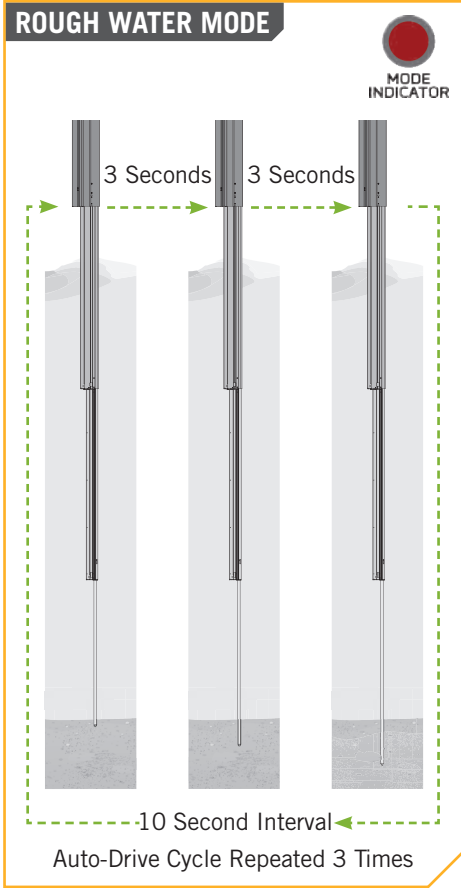
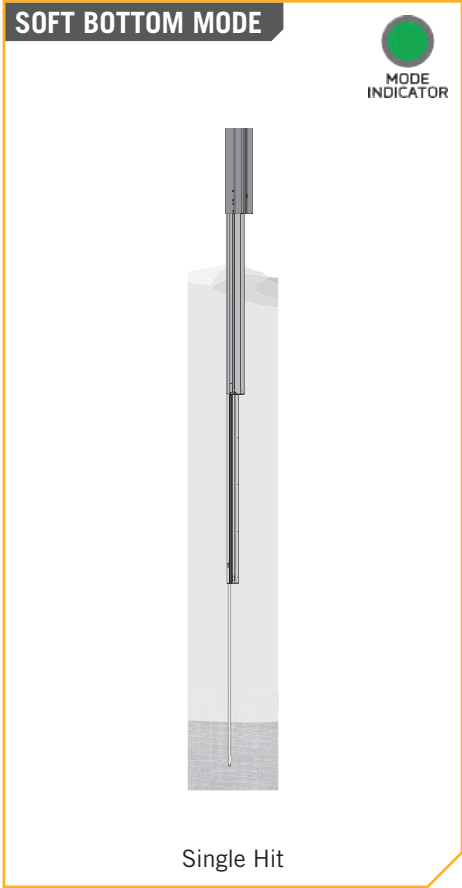
1. **Standard Mode** - Standard Mode is the default anchoring Mode for Talon. When put in Standard Mode, the Mode Indicator LED in the Indicator Panel will toggle between red and green and then turn off. In Standard Mode, Talon's Auto Deploy will operate with maximum down-force with a complete Auto-Drive cycle of three hits spaced at three seconds apart.

NOTICE: During calm conditions or on water with muddy or soft sandy bottoms, Soft Bottom Mode will prevent the Talon from over-anchoring.

2. **Soft Bottom Mode** - In Soft Bottom Mode, the Mode Indicator LED will be lit green on the Indicator Panel. In Soft Bottom Mode, the Auto Deploy will operate at a reduced power with a single hit.

NOTICE: If power is cycled to the Talon, the Talon will "remember" if it was last in "Standard Mode" or "Soft Bottom Mode," and will return to that last known mode. However, if it is left in "Rough Water Mode," and power is cycled, it will default to "Standard Mode." This is done to prevent Talon from unnecessarily over-anchoring.

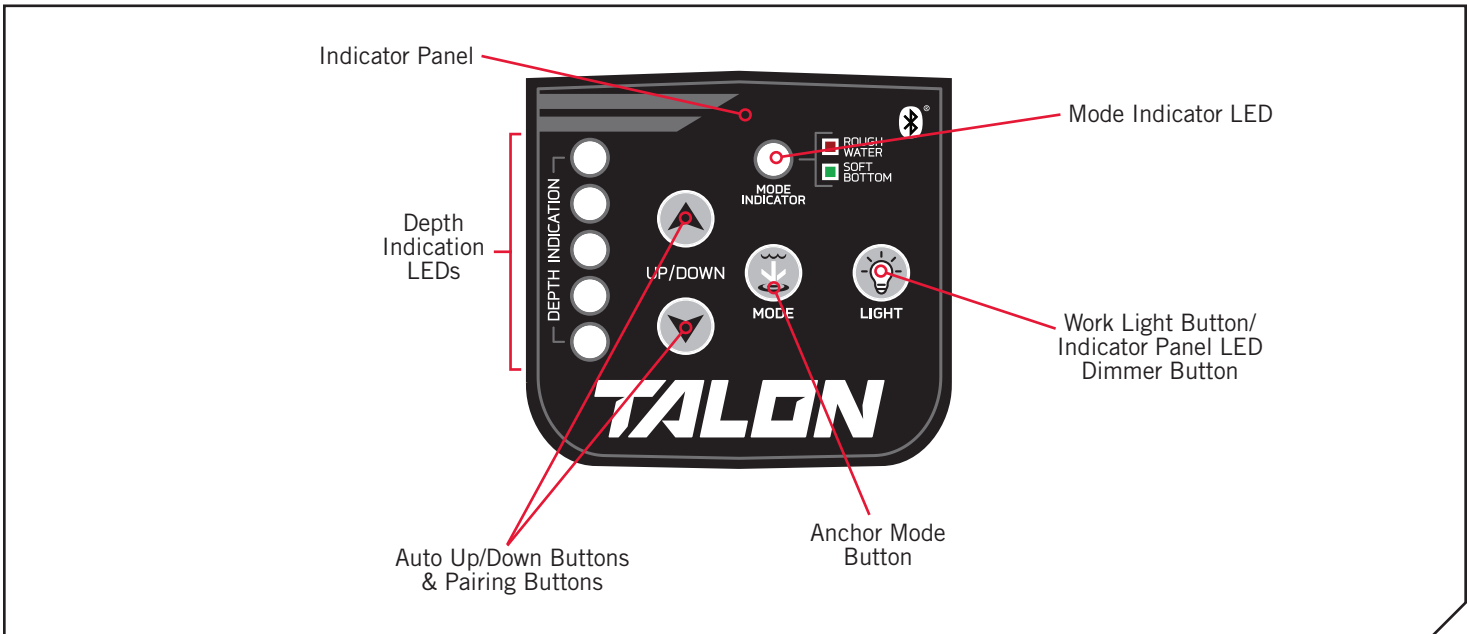
3. **Rough Water Mode** - In Rough Water Mode, the Mode LED Indicator on the Indicator Panel will be lit red. In Rough Water Mode, the Auto Deploy will operate with maximum down-force with three Auto-Drive cycles of three hits each, spaced 3 seconds apart. **The three Auto-Drive cycles will be spaced at 10 second intervals.**



CONTROLLING THE TALON WITH THE INDICATOR PANEL



CONTROLLING THE TALON WITH THE INDICATOR PANEL >



Depth Indication LEDs

LEDs that indicate the depth that the Talon is deployed, paused or retracted at. Each LED represents 20% increments.

Auto Up / Down Buttons / Pairing Buttons

Used to deploy, retract or pause the anchor on the Talon. Used to pair the Talon to a variety of remotes and devices, or other Talons via Bluetooth.

Anchor Mode Button

Used to select between Standard Mode, Soft Bottom Mode and Rough Water Mode. Also referred to as the Mode button.

Work Light Button/ Indicator Panel LED Dimmer Button

Used to toggle the Work Light "on" and "off" and switch between the different Work Light colors and intensities. Also used to change the intensities of the Depth Indication LEDs and the Mode Indicator LED on the Indicator Panel. Also referred to as the Light Button.

Mode Indicator

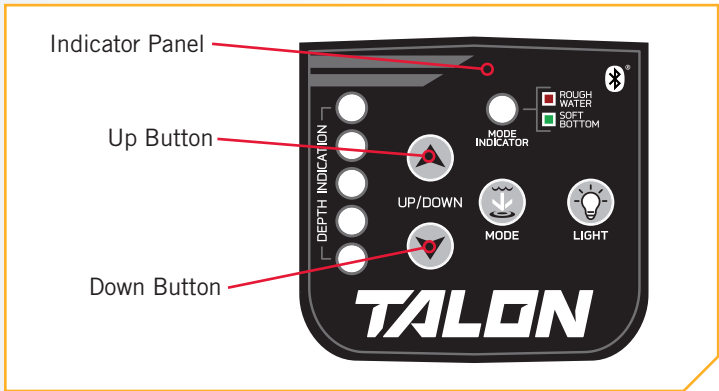
LED is not lit with Standard Mode, is lit green in Soft Bottom Mode and is lit red in Rough Water Mode.

CONTROLLING THE TALON WITH THE INDICATOR PANEL

› Deploy the Talon from the Indicator Panel

Use the buttons on the Indicator Panel to deploy the Talon anchor.

- 1
 - a. To deploy the Talon, press the Down ▼ button on the Indicator Panel.
 - b. While the anchor is deploying, the action can be paused on the panel by either pressing the Down ▼ button again, or pressing the Up ▲ button.
 - c. The paused deployment can be resumed by pressing the Down ▼ button again.
 - d. Once the deploying anchor gets to its full length of travel or comes in contact with the bottom, it will go through an anchoring sequence determined by the current Mode and then stop.



NOTICE: When two Talons are paired, to control a Talon individually it must be deployed from its own Indicator Panel.

NOTICE: You do not need to press and hold the button to keep the Talon deploying. The Talon will automatically continue to deploy when the button is pressed until it has reached its full deployment length, received input to stop or completes anchoring.

NOTICE: The Depth Indication LEDs display the depth that the anchor is deployed in 20% increments. Each Depth Indication LED will flash while moving through it's depth percentage, and turn solid when that depth percentage is passed. The first Depth Indication LED will flash blue as soon as the Talon is deployed. If the anchor stops for any reason while it is in the top 20% of the deployment sequence, the top LED will stay solid. The top Depth Indication LED will always illuminate to a solid color if the Talon is not fully retracted. The bottom Depth Indication LED will only illuminate solid when the Talon has reached 100% deployment.

⚠ WARNING

Take care that neither you nor other persons approach the Talon too closely, while operating, neither with body parts nor with objects. The Talon is powerful and may endanger or injure you or others. While the Talon is operating, watch out for persons swimming and for floating objects. Persons who lack the ability to run the Talon or whose reactions are impaired by alcohol, drugs, medication, or other substances are not permitted to use this product.

⚠ CAUTION

The Talon is equipped with a Deployment Notification Alarm. The Alarm is needed to comply with warranty requirements and when properly installed the alarm will only sound when the ignition key is turned on when the Talon is not fully retracted. Boat control may be affected by a deployed Talon. Take note of the Alarm, and always watch to make sure that the Talon is fully retracted while the boat is operating.

CONTROLLING THE TALON WITH THE INDICATOR PANEL

› Retracting the Talon from the Indicator Panel

Use the buttons on the Indicator Panel to retract the Talon anchor.

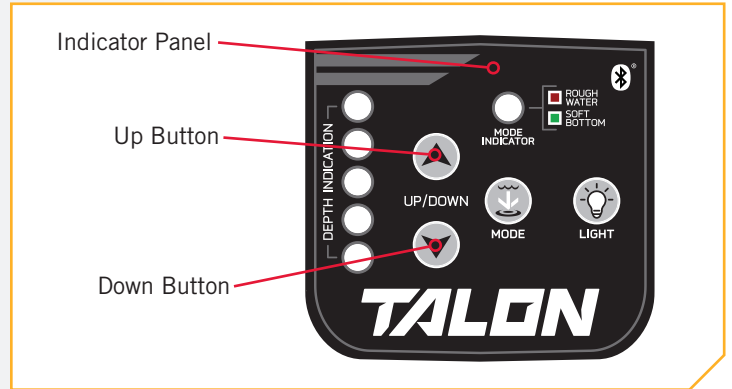
1

- a. To retract the Talon, press the Up ▲ button on the Indicator Panel.
- b. While the anchor is retracting, the action can be paused on the panel by either pressing the Up ▲ button again, or pressing the Down ▼ button.
- c. The paused retraction can be resumed by pressing the Up ▲ button again.
- d. Once the retracting anchor on the Talon gets to its fully retracted state, it will stop. If the Talon is already fully retracted and the Up ▲ button is pressed again, an error tone will sound.

NOTICE: To retract a specific Talon, when two Talons are paired, the anchor of the Talon where the Indicator Panel is pressed will retract.

⚠ CAUTION

Be sure that the Talon is clear of obstructions and persons while retracting. The spaces between the 3 stages of the Talons can create a pinch point. Do not come in contact with the Talon while it is retracting to avoid the pinch point.





NOTICE: You do not need to press and hold the button to keep the anchor retracting. The Talon will automatically continue to retract when the button is pressed until the Talon is either fully retracted or receives input to stop.

NOTICE: The blue LED's on the Indicator Panel are a visual reference relaying the current depth of the Talon anchor. Read the "Using the Talon" section of this manual to learn how the LED display works.

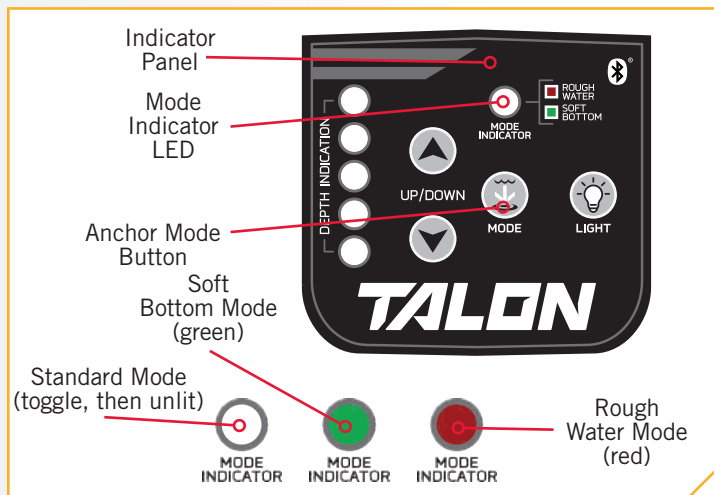
CONTROLLING THE TALON WITH THE INDICATOR PANEL

› Toggle the Mode from the Indicator Panel

Toggle the Mode on the Indicator Panel when the water or anchoring conditions change to fit your anchoring needs.



- 1 a. The Mode can be toggled from the Indicator Panel by selecting the Mode  button. The Mode Indicator LED displays the Mode that the Talon is currently set to. Press the Mode  button to toggle to the desired Mode.
- b. When no color is present on the LED, the Talon is in Standard Mode. When the LED is Green, the Talon is in Soft Bottom Mode. When the LED is Red, the Talon is in Rough Water Mode.


NOTICE: When the Talon is paired with a second Talon, pressing the Mode Button on the Talon will toggle the Mode for both Talons. Read the "Using the Talon" section of this manual to learn more about Modes.



› Toggle the Work Light "on" and "off" with the Indicator Panel

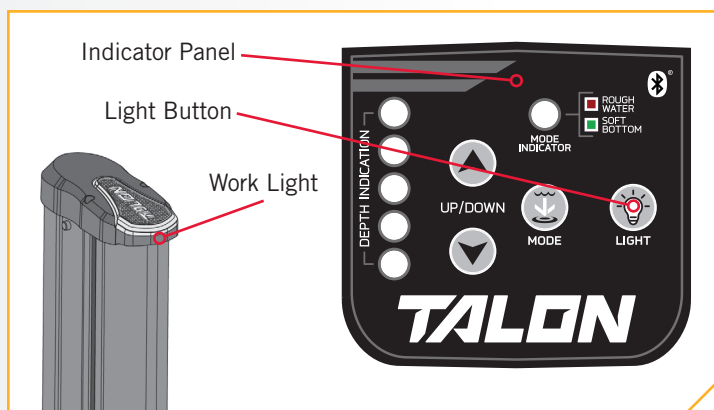
The Work Light is an accessory light at the top of the Talon. When the Work Light is turned "on", the LEDs can be either white or blue.

- 1 a. To Toggle the Work Light "on", press the Light  button on the Indicator Panel. To toggle the Work Light "off" wait 5 seconds and press the Light  button again.

NOTICE: When the Talon is paired with a second Talon, pressing the Light  button on the Talon will toggle the light for both Talons.

WARNING

The Work Light on the Talon is not intended for navigational purposes. The Work Light does not replace or act as a substitute for proper navigation lighting of your vessel. Failure to properly light your boat may cause harm or serious injury.



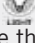


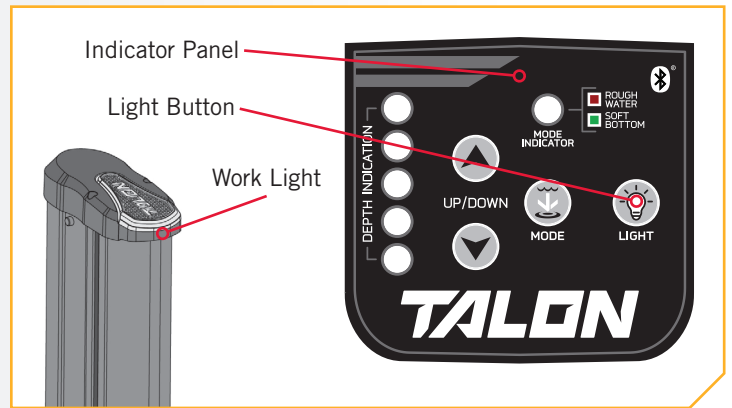
CONTROLLING THE TALON WITH THE INDICATOR PANEL

› Toggle the Work Light Color and Intensity on the Indicator Panel

The Work Light on the Talon has a high - medium - low intensity setting of white LEDs and blue LEDs. When the Work Light is turned on, the LEDs will be either white or blue, and then an intensity setting can be selected.

1




- a. When the Work Light is "off", press the Light  button once on the Indicator Panel to turn the light "on". The light will turn on with the last light intensity and color selection that was used.
- b. If the Light  button is pressed again in less than 5 seconds, the lights will move to the next intensity and/or color. Continue to press the Light  button until the desired light is selected. If more than 5 seconds passes between any button press, the current color and setting will be "saved" to memory, and the Work Light will turn "off" instead of toggling to the next selection.




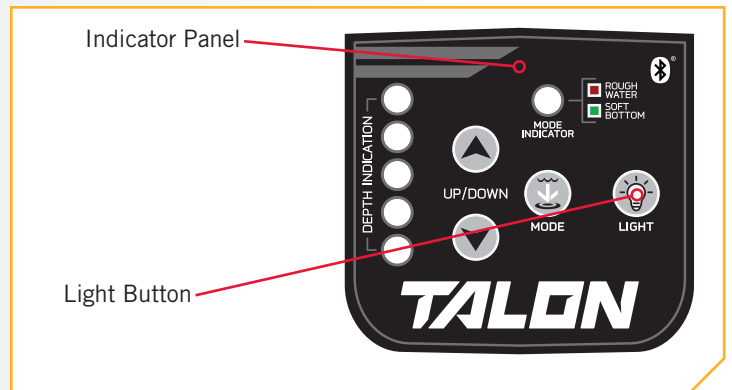
› Change the Intensity of the LEDs in the Indicator Panel

The Indicator Panel LEDs, by default, are at the brightest setting. It is possible to change the intensity of the LEDs to meet personal preference or adjust them to fit the ambient lighting conditions. The LED's can toggle between three intensities; high, medium and low.

1

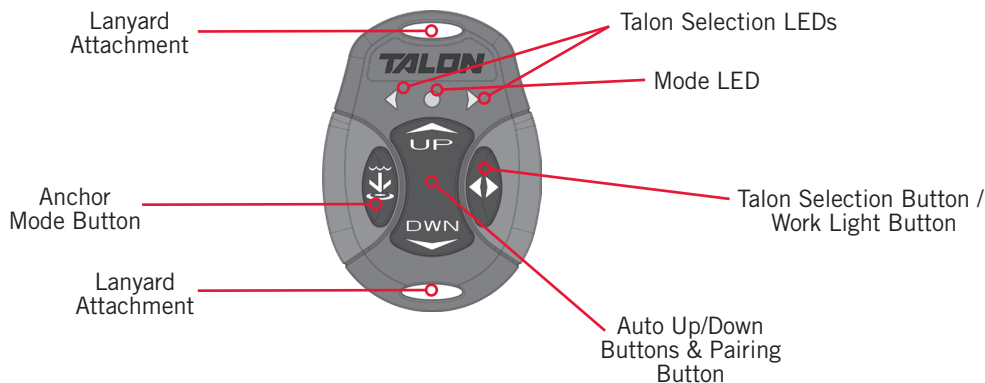
- a. Press and hold the Light  button for 2 seconds.
- b. Continuing to hold the Light  button will cause the Indicator Panel LEDs to begin toggling through 3 different intensities of high, medium, and low. Release the Light  button once you have achieved the desired intensity.

NOTICE: Using the Light  button on the Indicator Panel is the only way to change the intensity of the LEDs in the panel. The LEDs are programmed from the factory to be at the highest intensity by default.



CONTROLLING THE TALON WITH THE REMOTE

CONTROLLING THE TALON WITH THE REMOTE >



Anchor Mode Button

Used to select between Standard Mode, Soft Bottom Mode and Rough Water Mode.



Auto Up/Down Buttons & Pairing Buttons

Used to deploy, retract or pause the anchor on the Talon. Also used to pair the Remote to a Talon.



Talon Selection Button / Work Light Button

Used to select the Port, Starboard, or both Talons. Used to toggle the Work Light "on" and "off" and switch between the different Work Light colors and intensities.



Talon Selection LEDs

When 2 Talons are paired in the system, the right LED is lit when the Starboard Talon is selected and the left LED is lit when the Port Talon is selected. Both the right and left arrows are lit when both Talons are selected. When only one Talon is paired, the lights will toggle, but the selection will control the only paired Talon. When a selection is made, the LEDs will stay lit for 1 second and then turn off.



Mode Selection LEDs


The Center LED flashes red and green and then turns off for Standard Mode. The center LED will be lit green for Soft Bottom Mode and lit red for Rough Water Mode. When in Soft Bottom Mode and Rough Water Mode, the LED will stay lit for 1 second and then turn off.

CAUTION


Never leave the boat unattended with the Talon as your only boat anchor. Talon is not intended to provide primary anchorage. This includes operating the remote at a safe distance. It is not recommended to leave the boat while operating the Talon with the remote. Doing so is at the owner's risk. This product does not relieve you from the responsibility of safe operation of your boat.

CONTROLLING THE TALON WITH THE REMOTE

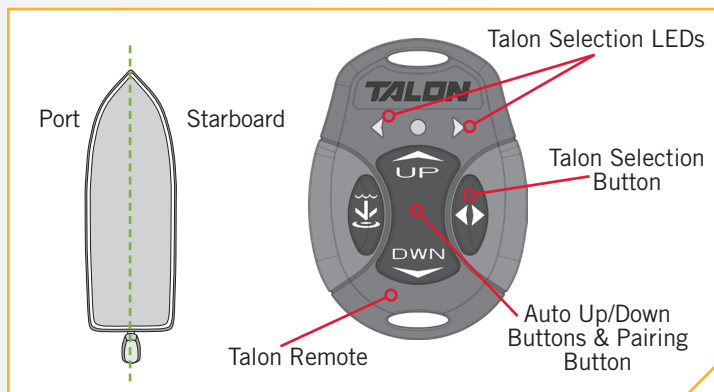
› Selecting a Talon to Operate with the Remote

The Talon Selection  button toggles the Talon that the remote is controlling, when 2 Talons are installed on the boat. The selection toggles between a Talon mounted on the Port or Starboard side of the boat, or it can control both Talons at the same time. The Talon Selection LED's are lit based on the selection made.

1

- a. To toggle the Talon selected, press the Talon Selection  button, repeatedly until the desired Talon is selected.
- b. When the button is pressed, one or both of the Talon Selection LEDs will be lit. If the remote is oriented so the LEDs are facing upward, the arrow on the right will be lit when the Starboard Talon is selected. If the arrow on the left is lit, the Port Talon is selected. If the LED in both arrows is lit, both Talons are selected.

NOTICE: When two Talons are paired to the remote, the anchors may not be in sync when retracting and deploying.






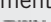
NOTICE: The Talon Remote will always remember the last selection made unless the remote or Talon lose power.

CONTROLLING THE TALON WITH THE REMOTE

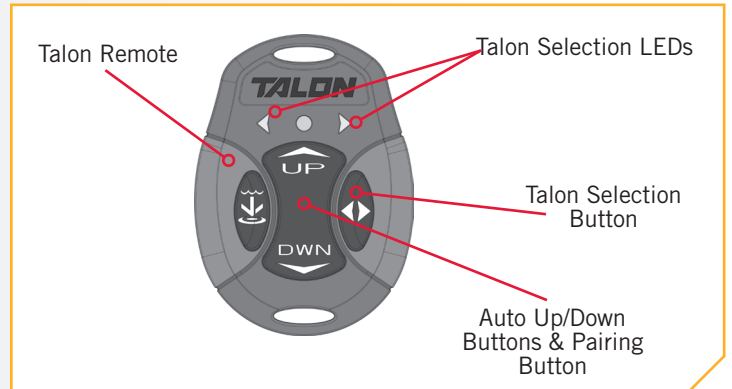
› Deploy the Talon from the Remote

Use the buttons on the Remote to deploy the Talon anchor.

1

- a. To deploy the Talon, double press the Down  button on the Remote.
- b. While the anchor is deploying, the action can be paused on the remote by pressing either the Down  button or Up  button again.
- c. The paused deployment can be resumed by double pressing the Down  button again.
- d. Once the deploying anchor gets to its full length of travel or comes in contact with the bottom, it will go through an anchoring sequence determined by the current Mode and then stop.

NOTICE: When two Talons are paired, the anchor of the selected Talon will deploy. The selection can be Port, Starboard, or both.



NOTICE: You do not need to hold the button to keep the Talon deploying. The Talon will automatically continue to deploy when the button is double pressed until it has reached its full deployment, received input to stop or anchors.

NOTICE: The Depth Indication LEDs display the depth that the anchor is deployed in 20% increments. Each Depth Indication LED will flash while moving through it's depth percentage, and turn solid when that depth percentage is passed. The first Depth Indication LED will flash blue as soon as the Talon is deployed. If the anchor stops for any reason while it is in the top 20% of the deployment sequence, the top LED will stay solid. The top Depth Indication LED will always illuminate to a solid color if the Talon is not fully retracted. The bottom Depth Indication LED will only illuminate solid when the Talon has reached 100% deployment.

WARNING






Take care that neither you nor other persons approach the Talon too closely, while operating, neither with body parts nor with objects. The Talon is powerful and may endanger or injure you or others. While the Talon is operating, watch out for persons swimming and for floating objects. Persons who lack the ability to run the Talon or whose reactions are impaired by alcohol, drugs, medication, or other substances are not permitted to use this product.

CAUTION

The Talon is equipped with a Deployment Notification Alarm. The Alarm is needed to comply with warranty requirements and when properly installed the alarm will only sound when the ignition key is turned on when the Talon is not fully retracted. Boat control may be affected by a deployed Talon. Take note of the Alarm, and always watch to make sure that the Talon is fully retracted while the boat is operating.

› Retracting the Talon from the Remote

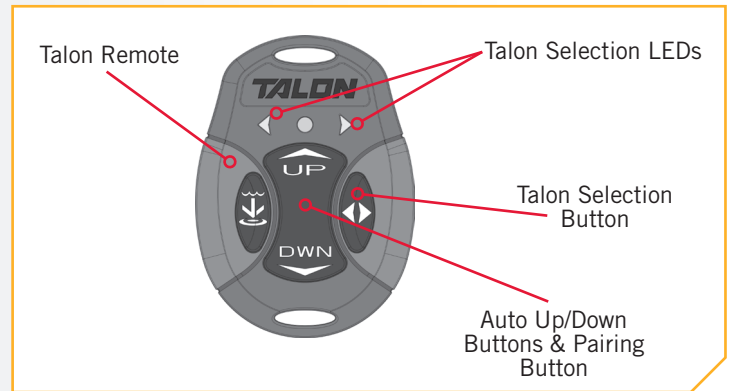
Use the buttons on the Remote to retract the Talon anchor.

- 1**
 - a. To retract the Talon, press the Up  button on the Remote.
 - b. While the anchor is retracting, the action can be paused on the remote by pressing either the Up  button or the Down  button.
 - c. The paused retraction can be resumed by pressing the Up  button again.
 - d. Once the retracting anchor on the Talon gets to its full retraction it will stop. If the Talon is already fully retracted and the Up  button is pressed again, an error tone will sound.

NOTICE: When two Talons are paired, the anchor of the Talon selected on the Remote will retract. The selection can be Port, Starboard, or both.

CAUTION

Be sure that the Talon is clear of obstructions and persons while retracting. The spaces between the 3 stages of the Talons can create a pinch point. Do not come in contact with the Talon while it is retracting to avoid the pinch point.





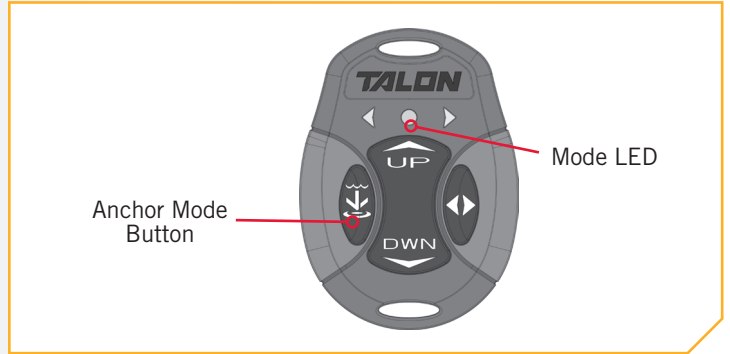
NOTICE: You do not need to press and hold the button to keep the anchor retracting. The Talon will automatically continue to retract when the button is pressed until the Talon is either fully retracted or receives input to stop.


NOTICE: The blue LEDs on the Indicator Panel are a visual reference relaying the current depth of the Talon anchor. Read the "Using the Talon" section of this manual to learn how the LED display works.

› Toggle the Mode from the Remote

Toggle the Mode on the Remote when the water or anchoring conditions change to fit your anchoring needs.




- 1
 - a. The Mode can be toggled from the Remote by selecting the Anchor Mode  button. The Mode LED displays the Mode that the Talon is currently set to. Press the Anchor Mode  button to toggle to the desired Mode.
 - b. When the Talon is put in Standard mode, the LED will flash red and green and then turn off. When the LED is Green, the Talon is in Soft Bottom Mode. When the LED is Red, the Talon is in Rough Water Mode.

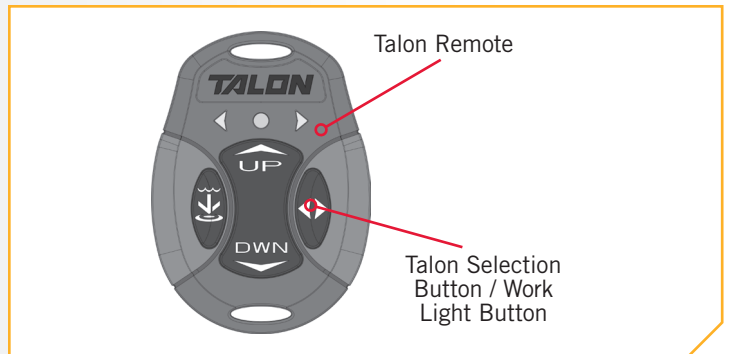



NOTICE: When the Talon is paired with a second Talon, pressing the Anchor Mode  button on the Talon will toggle the Mode for both Talons. Read the "Using the Talon" section of this manual to learn more about Modes.

› Control the Work Light with the Remote

The Work Light at the top of the Talon can be either white or blue and toggled between high, medium, or low intensities.

- 1
 - a. To Toggle the Work Light "on", press and hold the Talon Selection  button until the Work Light on the top of the Talon turns "on".
 - b. Continue to press the Talon Selection  button on the Remote again before 5 seconds passes until the desired color and intensity is selected.
 - c. To toggle the Work Light "off" press and hold the Talon Selection  button again until the Work Light turns "off".



NOTICE: When the Talon is paired with a second Talon, pressing and holding the Talon Selection  button will toggle the light for both Talons. The six intensities for the Work Light are white high, white medium, white low, blue high, blue medium and blue low.

WARNING

The Work Light on the Talon is not intended for navigational purposes. The Work Light does not replace or act as a substitute for proper navigation lighting of your vessel. Failure to properly light your boat may cause harm or serious injury.

TALON APP

Minn Kota offers a Talon app that can be used to control and update the Talon using a Bluetooth® enabled device. The Talon app is available for download on iOS devices through the Apple App store or Android devices through the Google Play store.



Talon App Home Screen



NOTICE: Specifications subject to change without notice. This diagram is for reference only and may differ from your actual app interface. The Talon App will only work with Bluetooth® enabled Talons. Be sure that you download the correct app as other Minn Kota® apps will not work with your Talon.



HEADER >



Menu

When selected, the Menu gives additional options to control the Work Light color and intensity, complete software updates, review the setup guide, and additional product control and support.

NOTICE: When the device is not connected to a Talon, the Menu will bring up the option to enter Demo Mode. Once the device is connected to a Talon, Demo Mode is exited and the option is not available.

APP BUTTONS >



Auto Up

Used to retract the anchor.



Auto Down

Used to deploy the anchor. Must be double-pressed to engage.



Pause

When pressed it interrupts the current action. The Talon(s) will remain at the current depth until another command is sent. The action for both deploying and retracting the anchor can be paused. The pause button may appear in place of the Auto Up or Auto Down buttons, during deploying or retracting and will disappear when pressed while the unit is paused.



Depth Indication

Increments the depth that the Talon is deployed or retracted. The spacing of the increments will vary depending on if an 8', 10', 12' or 15' Talon is being controlled.

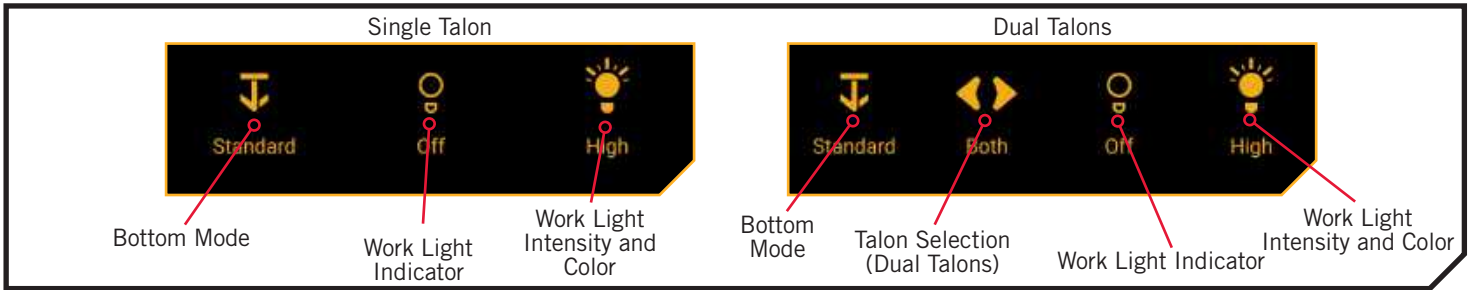
 WARNING

You are responsible for the safe and prudent operation of your boat. This product does not relieve you from the responsibility for safe operation of your boat.

You must avoid hazards to navigation and always maintain a permanent watch so you can respond to situations as they develop. You must always be prepared to regain manual control of your boat.



FOOTER >



Standard Mode

Standard Mode is the default anchoring Mode for Talon. In Standard Mode, Talon's Auto Deploy will operate with maximum down-force with a complete Auto-Drive cycle of three hits spaced at three seconds apart. When put in Standard Mode, the Mode Indicator LED in the Indicator Panel will toggle between red and green and then turn off.

NOTICE: If power is cycled to the Talon, the Talon will “remember” if it was last in “Standard Mode” or “Soft Bottom Mode,” and will return to that last known mode. However, if it is left in “Rough Water Mode,” and power is cycled, it will default to “Standard Mode.” This is done to prevent Talon from unnecessarily over-anchoring.



Rough Water Mode

In Rough Water Mode, the Mode LED Indicator on the Indicator Panel will be lit red. In Rough Water Mode, the Auto Deploy will operate with maximum down-force with three Auto-Drive cycles of three hits each, spaced 3 seconds apart. **The three Auto-Drive cycles will be spaced at 10 second intervals.**



Soft Bottom Mode

In Soft Bottom Mode, the Auto Deploy will operate at a reduced power with a single hit. During calm conditions or on water with muddy or soft sandy bottoms, Soft Bottom Mode will prevent the Talon from over-anchoring. In Soft Bottom Mode, the Mode Indicator LED will be lit green on the Indicator Panel.



Talons Selection - Both

Indicates both the Port and Starboard Talon are selected and will be controlled while operating. Press to Toggle between left, right and both Talons.

NOTICE: The Talon Selection options are only visible when the Talon is set up to control two Talons.

This option is only seen when the app is set up to control two Talons.



Talon Selection - Left

Indicates the left Talon is selected and will be controlled while operating. By default the left Talon is the Port side Talon when multiple Talons are installed and paired. This can be changed in the App menu. Press to Toggle between left, right and both Talons.



Talon Selection - Right

Indicates the right Talon is selected and will be controlled while operating. By default, the right Talon is the Starboard side Talon when multiple Talons are installed and paired. This can be changed in the App menu. Press to Toggle between left, right and both Talons.



Work Light On

Indicates that the Work Light on the Talon is toggled "on". Press to turn "off".



Work Light Off

Indicates that the Work Light on the Talon is toggled "off". Press to turn "on".



Work Light Intensity - Low

Indicates that the Work Light Intensity is set to low.



Work Light Intensity - Medium

Indicates that the Work Light Intensity is set to medium.



Work Light Intensity - High

Indicates that the Work Light Intensity is set to high.

NOTICE: Pressing the Work Light Intensity button will toggle through the light color set in the Menu. From the Menu, the color of the Work Light can be toggled between white and blue. The Work Light Intensity indicator will be yellow when the light is set to white and blue when the light is set to blue.

LAUNCHING THE APP & DEMO MODE >

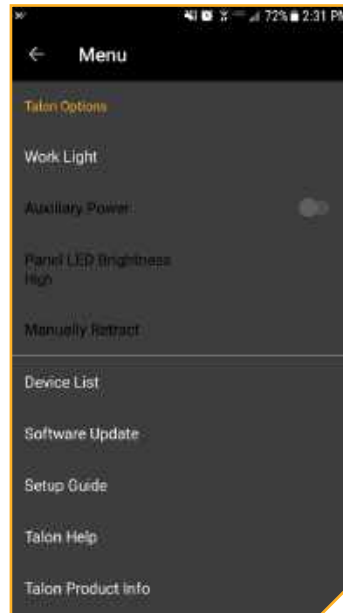
Launching the app when it is not paired with the Talon will allow you to try it in Demo Mode. The first time the app is launched, you must agree with the disclaimer in order to continue. Become familiar with the app screens in order to understand how to operate your Talon with the app.



The Disclaimer screen appears when the app is launched for the first time.



The Setup Guide appears after the Disclaimer when the device is not paired or actively communicating with a Talon.



The Menu brings up a variety of control options for the Talon. The options will depend on if and how many Talons are paired.



The Talon Control Screen when one Talon is paired to the device. This screen differs slightly when two devices are paired.


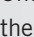
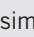
TALON APP

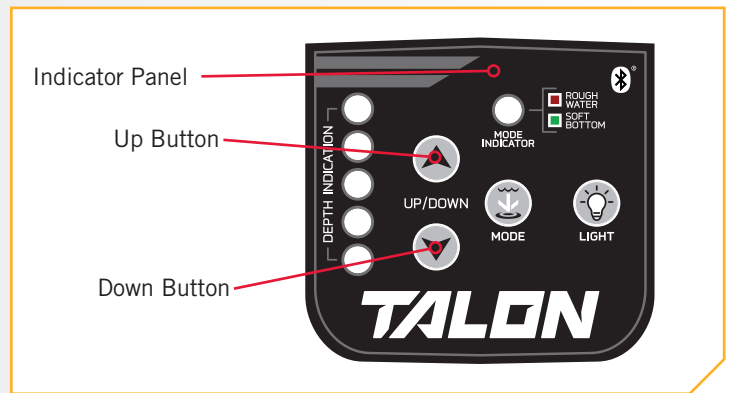
GETTING STARTED >

> Pairing a Device with a Single Talon

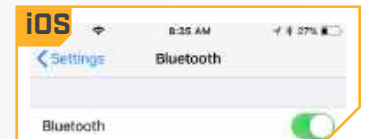
The Talon app can be used to control the Talon using a device that is paired to the Talon with a Bluetooth connection. Before pairing the device with the Talon, the Talon app should first be successfully downloaded. You can confirm that the app was successfully downloaded by opening it on your device. Once confirmed, close the app to begin the pairing process.

NOTICE: Your device will only be able to connect to a Talon and be paired if the device Bluetooth is enabled. Your device will only be able to pair with a Bluetooth enabled Talon.

- 1
 - a. On the device you intend to pair with the Talon, turn Bluetooth “on”, and keep your device on that screen.
 - b. Retract the anchor on the Talon by pressing the Up  button on the Indicator Panel.
 - c. Once the Talon is fully retracted, press and hold the Up  button and the Down  button simultaneously on the Indicator Panel. The Depth Indication LEDs will begin to flash blue. Once the LEDs are flashing, release the buttons on the Indicator Panel. The Talon will go into Pairing Mode for 30 seconds.



- 2
 - d. If on an Android device select the Scan button to begin the process on your device. On an iOS device, as soon as the Bluetooth menu is opened, the scan starts automatically. The Talon will appear on the list of available devices once it is recognized by the device.
 - e. Select the Talon from the list of available devices. This will pair the Talon to the device. Once you hear the beeps, the Talon is successfully paired.



NOTICE: When the device Bluetooth is scanning for the Talon, the Talon must be in Pairing Mode. If the Talon or the device time out, the process on both will need to be re-initiated.

- 3
 - f. In order for the device and your Talon to stay connected, Bluetooth needs to remain "on". Once the device is paired with the Talon, the device will connect and begin communicating with each other. When the Talon is paired to the device and communicating with it, the Talon app will automatically recognize that the Talon is paired.
 - g. If the pair is unsuccessful, repeat the process.


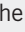
NOTICE: When a device is paired with the Talon, the paired device and Talon know each other. When a paired device and a Talon are connected they can actively communicate with each other. In order for the Talon App to detect the Talon, it needs to be paired and communicating with the Talon.

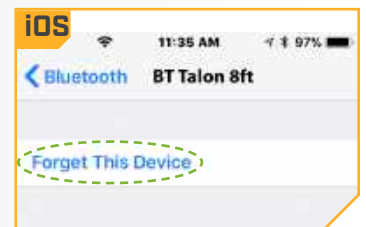
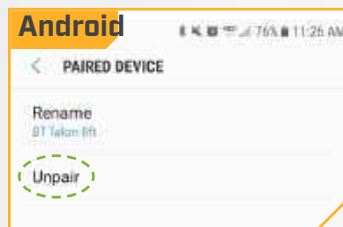
› Pairing a Device with Two Talons

In order for the Talon App to pair two Talon's to the device, the Talons first need to be paired together. To learn how to pair two Talons together, read the "Pairing Two Talons and Programming the Mounting Location" section of the Talon Manual. Once the Talons are paired together, follow the directions for "Pairing a Device with a Single Talon". Only one Talon needs to be paired with the device where the Talon app is installed.

› Forgetting a Talon on a Device

Once a device is paired to a Talon, it will remember the device, even if the device and the Talon are not actively communicating. In some cases, it may be necessary to clear the memory on the device and forget any paired Talons. To do this, use the Bluetooth settings on the device.

1.
 - a. Open the Bluetooth settings on the device.
 - b. A list of paired devices will appear. The appearance of the list from an Android to an iOS device will look different.
 - c. On an Android device, select the Settings  icon next to the device in the list of Paired Devices. When the next screen appears, find the option to Unpair the device and select it.
 - d. On an iOS device, select the "i"  icon next to the device in the list of My Devices. When the next Screen appears, find the option to Forget this Device and select it.
 - e. Once the device is unpaired or forgotten, the device is no longer paired or communicating with the device and will not be visible to the Talon App or device.



› Talon Control and Disable Auto-Lock

Most devices are programmed to Auto-Lock the device screen after a certain amount of time has lapsed where the device has been inactive. In these cases when the user had the Talon App open to control the Talon, and returns to the device, the screen may be locked. In order to control the Talon, the device will first need to be unlocked to control the Talon with the App. This Auto-Lock feature can be disabled from the Talon app in order to immediately control the Talon after the device has been inactive. To turn Auto-Lock "on", open the Talon app and navigate to the Menu. Scroll to the bottom of the Menu and find the Disable Auto-Lock setting. When the toggle is slid "on" and appears yellow, the Disable Auto-Lock is engaged and will prevent the device screen from locking when the device experiences moments of inactivity. With this feature enabled, the device will immediately control the Talon.

› Check the Application and Talon Software Version on the App

When a Talon is paired with a device, the Talon app on the device records information about the paired Talon(s) including the software version installed on each. This information can be used to detect if a Talon requires a software update. To check the software version on paired Talon(s), follow the steps below.

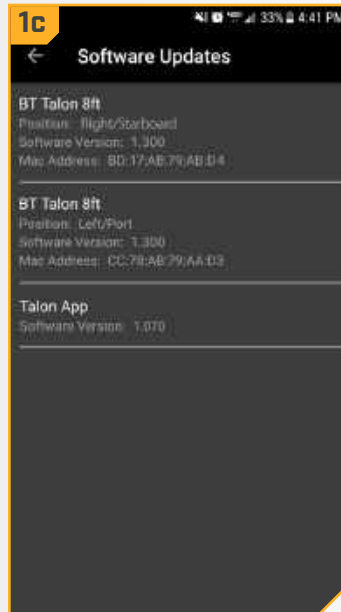
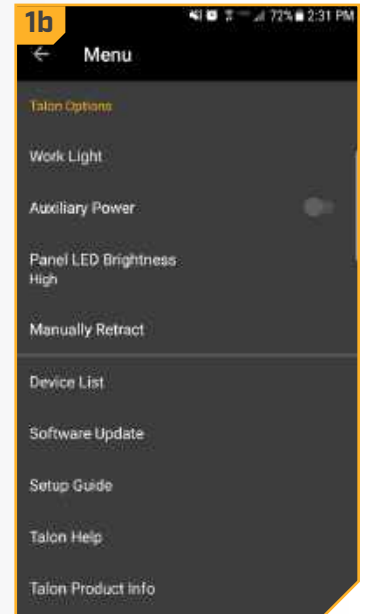
1

- a. From the Talon app Home screen, press the Menu Button.
- b. In the Menu Screen, find the Software Update option and select it.
- c. The Software Update Screen will appear. The Software List will show any Talons that are paired with the app and the Talon App Software Version.

NOTICE: Noting the version of the App, before and after updates help to identify if the updates were successful.

NOTICE: If the app cannot communicate directly with the Talon, the app will show the version of software that it detected the last time the device was paired and communicating with the Talon.

- d. If there are no Talons paired, the list will only show information for the Talon App. If Talons are paired and communicating, the name of each device will be colored white. If the Talons are paired, but are not communicating the Talon name will be colored grey.



iOS >

> Update a Single Talon from the Talon App with iOS

Talon software updates are performed through the Talon app. The Talon must be paired and communicating with the device through a Bluetooth connection in order for the Talon to be updated. Follow these steps when using iOS for a single Talon.

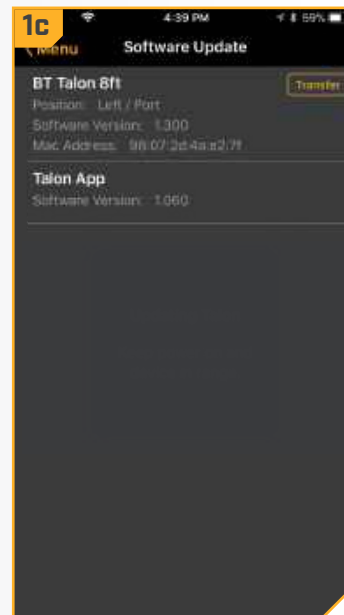
- 1 a. Confirm that the Talon is both paired and communicating with the device. Once confirmed, open the Talon App.

NOTICE: If the App contains a critical Talon software update that is more up-to-date than the Talon it is paired to, the App will force you to update the Talon.

- b. If the App recognizes that it is more up-to-date than the Talon, a Software Update Required message will appear on the screen. The Talon App will offer the options to either Update Software or enter Demo Mode. Select Update Software to continue the update.

NOTICE: If you choose to enter Demo Mode, you can return to update the Talon by selecting the Menu icon and then choosing the Software Update option from the Menu list.

- c. The App will come to a Software Update screen. The software version for each Talon in memory will be shown. If a Talon appears in the list, but the title is in grey, the Talon and the devices are currently not communicating. A Transfer button will appear next to each Talon in memory that are not up-to-date and are actively communicating with the device. Select the Transfer Button to update the Talon software.
- d. While the Talon App is loading the update to the Talon, the Transfer button will change into a progress icon. While the transfer is taking place, make sure to keep the power of the Talon and device "on" and keep the device in range of the Talon.

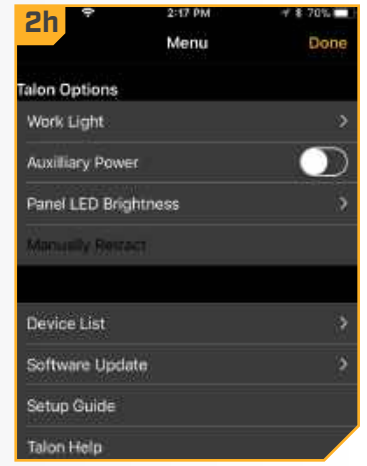
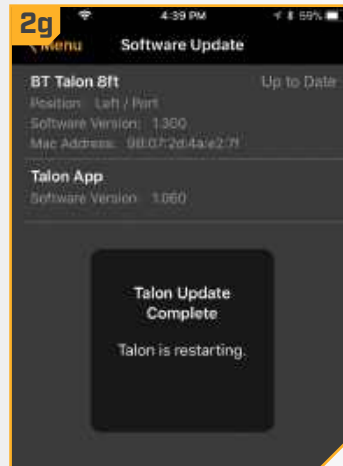
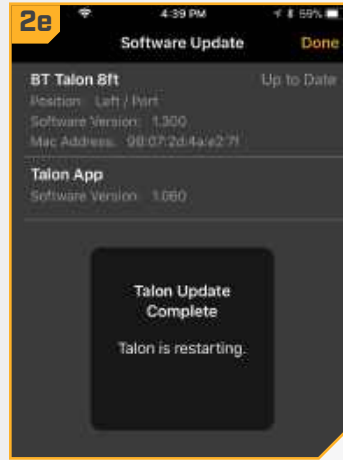


TALON APP

2

- e. Once the update has been completely transferred to the Talon, the Talon will restart. The indicator lights will flash and the Talon will beep. The Software Update Screen will replace the icon showing progress with an Up to Date message.
- f. Updates to the Talon interrupt the Bluetooth connection between the Talon and the iOS device where the Talon App is installed. The App will always assume that the Talon is connected and will not force the device to connect to the Talon. To restore the Bluetooth connection between the Talon and the device, go to the Bluetooth Setting on the device.
- g. On the iOS device, open the Bluetooth Settings. Select Not Connected to reinitiate the communication between the Talon and the iOS device. Once the status shows "Connected", exit the Bluetooth Settings menu, and return to the Software Update screen in the app.
- h. To confirm that the Talon is updated, select the Menu button from the Talon Software Screen. From the Menu, Select the Done Button. The app should return to the Talon Control Screen and now allow for the app to control the Talon.

NOTICE: Because some iOS devices may be operating older iOS software revisions, it may be necessary to close, and then restart the Talon App to make sure that all software updates were successful. Be sure to confirm that the iOS device is connected in the Bluetooth settings menu.

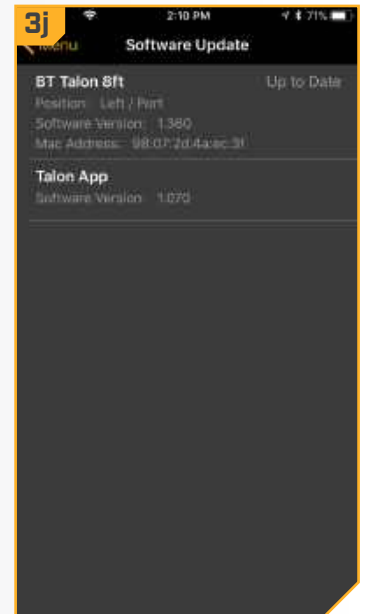
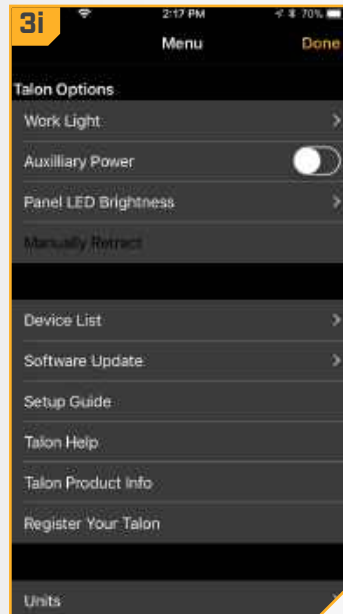


3

- i. In addition to controlling the Talon, you can verify that the Talon is up-to-date by selecting the Menu and returning to the Update Software option and verifying that the Software Version listed for the Talon increased. The app will note if the Talon is Up to Date.
- j. Once the Talon software update is complete, the Talon will automatically push the update to any remotes or foot switches that are paired to it once they are in range and as soon as they are actively communicating.

NOTICE: While any Talon Remotes or Foot Switches are being updated, the Indicator lights will scroll. At the end of the updates, all of the lights will flash on and then turn off to signal the update is complete. These devices will then need to be repaired.

NOTICE: If the Talon App returns to the Home Screen where the main Talon control is located and the device is not actively communicating with the Talon, a Talon Not Found message will appear over the controls. If this message appears, go to the Bluetooth Settings menu on the device to connect the Talon.



TALON APP

Update Two Talons Paired Together from the Talon App with iOS

Talon software updates are performed through the Talon app. The Talon must be paired and communicating to the device through a Bluetooth connection in order for the Talon to be updated. Follow these steps when using iOS for two Talons paired together.

1

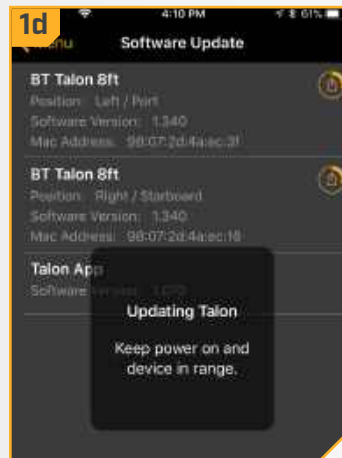
- a. Confirm that the two Talons are paired together. Confirm that one Talon is both paired and communicating with the device. Once confirmed, open the Talon App.

NOTICE: If the App contains a critical Talon software update that is more up-to-date than the Talon it is paired to, the App will force you to update the Talon.

- b. If the App recognizes that it is more up-to-date than the Talons, a Software Update Required message will appear on the screen. The Talon App will offer the options to either Update Software or enter Demo Mode. Select Update Software to continue the update.

NOTICE: If you choose to enter Demo Mode, you can return to update the Talon by selecting the Menu icon and then choosing the Software Update option from the Menu list.

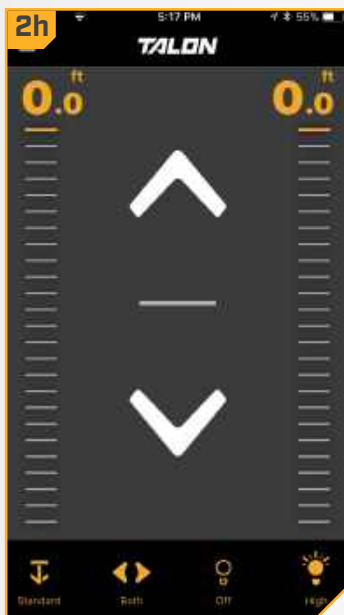
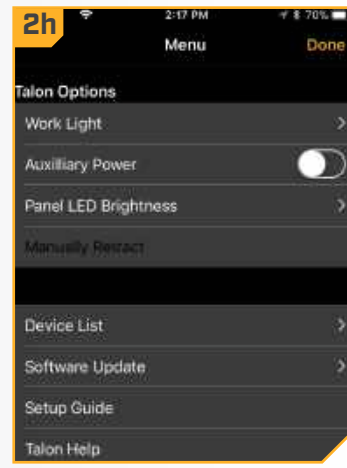
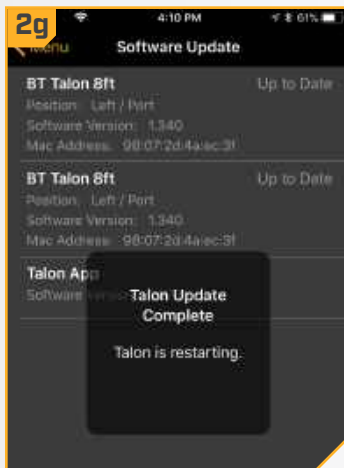
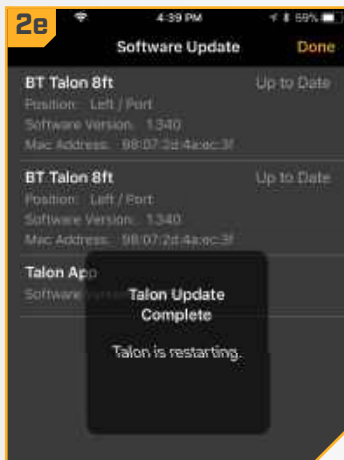
- c. The App will come to a Software Update screen. The software version for each Talon in memory will be shown. If a Talon appears in the list, but the title is in grey, the Talon and the device are currently not communicating. A Transfer button will appear next to each Talon in memory that are not up-to-date and are actively communicating with the device. Select the Transfer Button to update the Talon. Two Talons paired together communicate with each other. If the Transfer Button is selected for one Talon in the pair, the update with transfer to both Talons.
- d. While the Talon app is loading the update to the Talons, the Transfer button will change into a progress icon. While the transfer is taking place, make sure to keep the power of the Talons and device "on" and keep the device in range of the Talons.



2

- e. Once the update has been completely transferred to the Talons, the Talons will restart. The indicator lights will flash and the Talons will beep. The Software Update Screen will replace the icon showing progress with an Up to Date message.
- f. Updates to the Talon interrupt the Bluetooth connection between the Talons and the iOS device where the Talon App is installed. The App will always assume that the Talons are connected and will not force the device to connect to the Talon. To restore the Bluetooth connection between the Talons and the device, go to the Bluetooth Setting on the device.
- g. On the iOS device, open the Bluetooth Settings. Select Not Connected to reinitiate the communication between the Talon and the iOS device. Once the status shows "Connected", exit the Bluetooth Settings menu, and return to the Software Update screen in the app.
- h. To confirm that the Talons are updated, select the Menu button from the Talon Software Screen. From the Menu, Select the Done Button. The app should return to the Talon Control Screen and now allow for the app to control the Talons.

NOTICE: Because some iOS devices may be operating older iOS software revisions, it may be necessary to close, and then restart the Talon App to make sure that all software updates were successful. Be sure to confirm that the iOS device is connected in the Bluetooth Settings menu.



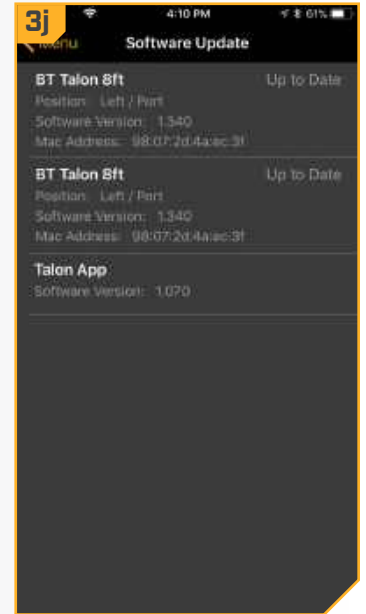
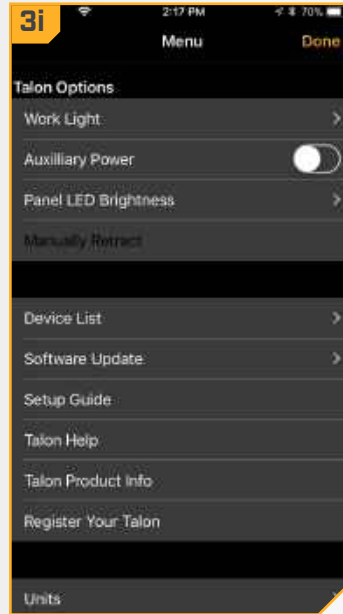
TALON APP

3

- i. In addition to controlling the Talons, you can verify that the Talons are up-to-date by selecting the Menu and returning to the Update Software option and verifying that the Software Version listed for the Talons increased. The app will note if the Talons are Up to Date.
- j. Once the Talon software update is complete, the Talons will automatically push the update to any remotes or foot switches that are paired to them once they are in range and as soon as they are actively communicating.

NOTICE: While any Talon Remotes or Foot Switches are being updated, the Indicator lights will scroll. At the end of the updates, all of the lights will flash on and then turn off to signal the update is complete. These devices will then need to be repaired.

NOTICE: If the Talon App returns to the Home Screen where the main Talon control is located, and the device is not actively communicating with the Talons, a Talon Not Found message will appear over the controls. If this message appears, go to the Bluetooth Settings menu on the device to connect the Talon.



ANDROID >

> Update a Single Talon from the Talon App with Android

All updates to the Talon are communicated through the Talon app. The Talon must be paired and communicating to the device through a Bluetooth connection in order for the Talon to be updated. Follow these steps when using an Android device for a single Talon.

1

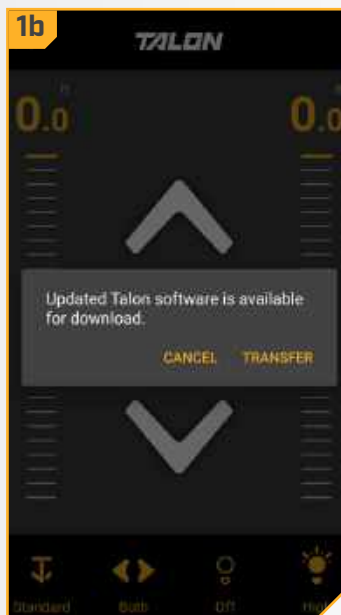
- a. Confirm that the Talon is both paired and communicating with the device. Once confirmed, open the Talon App.

NOTICE: If the App contains a critical Talon software update that is more up-to-date than the Talon it is paired to, the App will force you to update the Talon.

- b. If the App recognizes that it is more up-to-date than the Talon, a message will appear on the screen notifying the user that updated Talon software is available. The app will offer the option to either Cancel or Transfer the update. Select Transfer to continue the update.

NOTICE: If you choose to Cancel the update, you can return to update the Talon by selecting the Menu icon and then choosing the Software Update option from the Menu list.

- c. The App will bring up the Software Update screen. The Software Version for each Talon in memory will show. If a Talon appears in the list, but the title is in grey, the Talon and the devices are currently not communicating. If Transfer was selected when the Software Update message appeared, the device will begin to update and the Software Update Screen will change to read Transferring. While the Talon App is transferring a progress bar will appear below the Talon listed. While the transfer is taking place, make sure to keep the power of the Talon and device "on" and keep the device in range of the Talon.



NOTICE: If the process was first canceled, and then the user returns to the Software Update Screen, a Transfer button will appear next to the Talon in memory that is not up-to-date actively communicating with the device. Select the Transfer Button to begin the Software Update process.

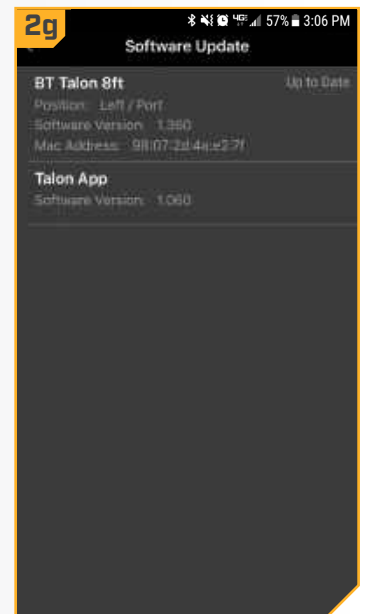
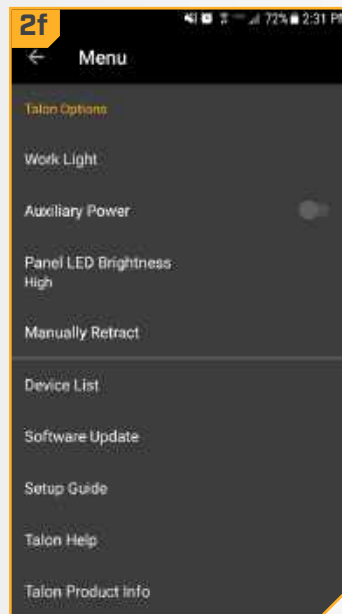
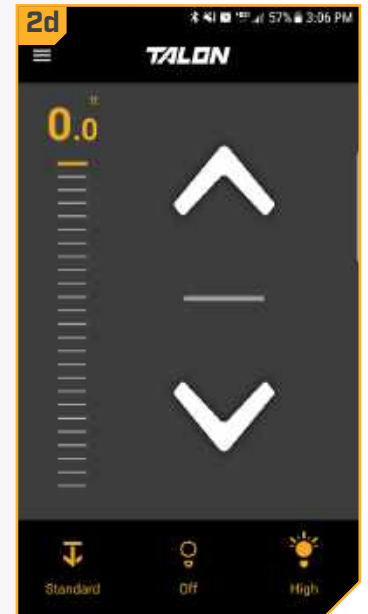
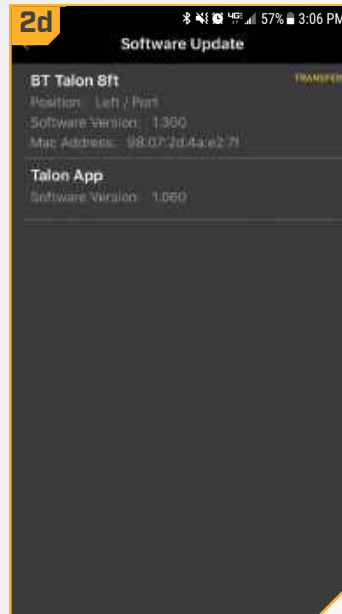
TALON APP

2

- d. Once the update has been completely transferred to the Talon, the Talon will restart. The Software Update Screen will change from Transferring... to Transfer while the Talon is restarting.
- e. The Indicator Lights on the Talon will flash and the Talon will beep. Once the Talon restarts, the app will return to the Talon Control Screen.
- f. To confirm that the Talon is updated, open the Menu and select the Update Software option and verifying that the Software Version listed for the Talon increased.
- g. The Software Update Screen showing an Up to Date message next to the Talon.
- h. Once the Talon software update is complete, the Talon will automatically push the update to any remotes or foot switches that are paired to it once they are in range and as soon as they are actively communicating.

NOTICE: While any Talon Remotes or Foot Switches are being updated, the Indicator lights will scroll. At the end of the updates, all of the lights will flash on and then turn off to signal the update is complete. These devices will then need to be repaired.

NOTICE: If the Talon App returns to the Home Screen where the main Talon control is located, and the device is not actively communicating with the Talon, a Talon Not Found message will appear over the controls. If this message appears, go to the Bluetooth Settings menu on the device to connect the Talon.



› Update two Talons Paired Together from the Talon App with Android

Talon software updates are performed through the Talon app. The Talon must be connected and communicating to the device through a Bluetooth connection in order for the Talon to be updated. Follow these steps when using an Android device for two Talons paired together.

1

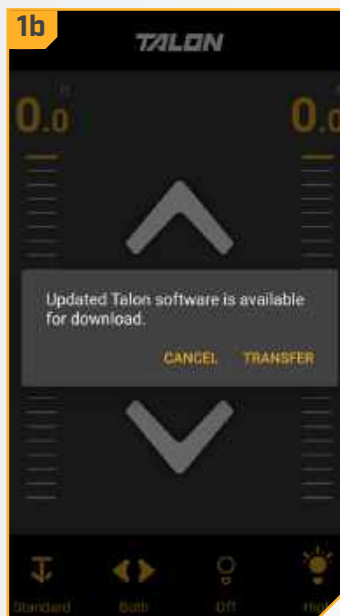
- a. Confirm that both Talons are paired together. Then confirm that the Talon is both paired and communicating with the device. Once confirmed, open the Talon App.

NOTICE: If the App contains a critical Talon software update that is more up-to-date than the Talon it is paired to, the App will force you to update the Talon.

- b. If the App recognizes that it is more up-to-date than the Talon, a message will appear on the screen notifying the user that updated Talon software is available. The app will offer the option to either Cancel or Transfer the update. Select Transfer to continue the update.

NOTICE: If you choose to Cancel the update, you can return to update the Talon by selecting the Menu icon and then choosing the Software Update option from the Menu list.

- c. The App will bring up the Software Update screen. On this screen, the Software Version of each Talon in memory will show. If a Talon appears in the list, but the title is in grey, the Talon and the devices are currently not communicating. If Transfer was selected when the Software Update message appeared, the device will begin the update and the Software Update Screen will read Transferring. When the Talons are paired together, the update will be pushed to the other Talon automatically. While the Talon app is transferring a progress bar will appear below one of the Talons listed. While the transfer is taking place, make sure to keep the power of the Talons and device "on" and keep the device in range of the Talons.



NOTICE: If the process was first canceled, and then the user returns to the Software Update Screen, a Transfer button will appear next to one of the Talons in memory that are not up-to-date and are actively communicating with the device. Select the Transfer Button next to the Talon. With the Talons paired together, the update will transfer to both Talons.

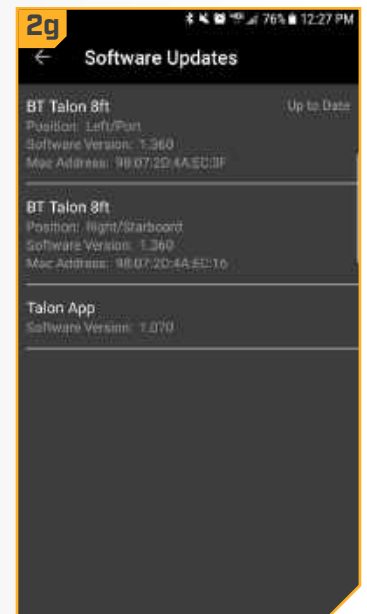
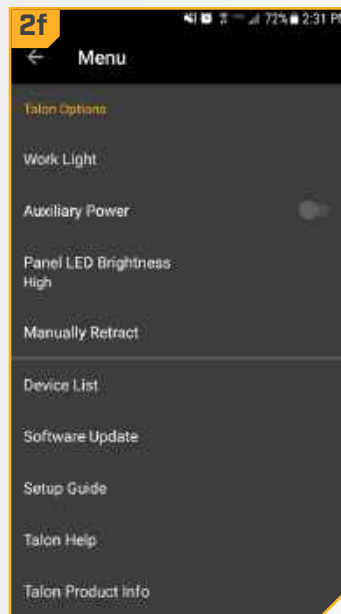
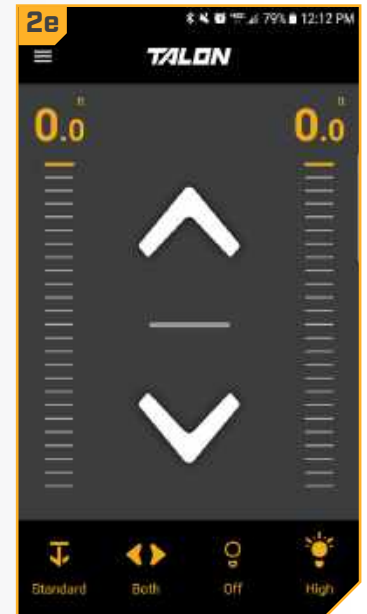
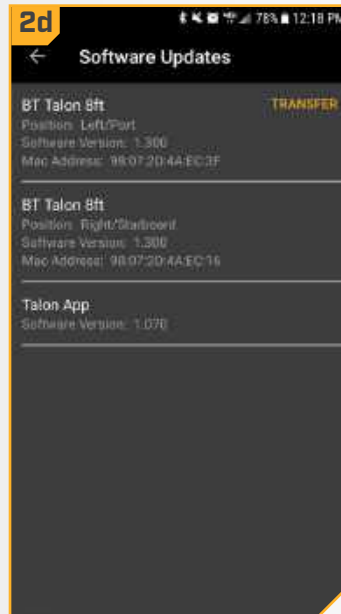
TALON APP

2

- d. Once the update has been completely transferred to both Talon, the Talons will restart. The Software Update Screen will change from Transferring... to Transfer while the Talons are restarting.
- e. The Indicator Lights on both Talons will flash and the Talon will beep. Once the Talons restarts, the app will return to the Talon Control Screen.
- f. To confirm that the Talons are updated, open the Menu and select the Update Software option and verifying that the Software Version listed for the Talons has increased.
- g. The Software Update Screen shows an Up to Date message next to the main Talon.
- h. Once the Talon software update is complete, the Talons will automatically push the update to any remotes or foot switches that are paired to them once they are in range and as soon as they are actively communicating.

NOTICE: While any Talon Remotes or Foot Switches are being updated, the Indicator lights will scroll. At the end of the updates, all of the lights will flash on and then turn off to signal the update is complete. These devices will then need to be repaired.

NOTICE: If the Talon App returns to the Home Screen where the main Talon control is located and the device is not actively communicating with the Talon, a Talon Not Found message will appear over the controls. If this message appears, go to the Bluetooth Settings menu on the device to connect the Talon.



SERVICE & MAINTENANCE

⚠ CAUTION

Before beginning any maintenance work, disconnect the Talon from the battery or if connected to a battery selector switch or power disconnect switch, make sure that it is turned to the "off" position. Failure to disconnect power during maintenance work may result in shock, unexpected operation and/or injury. Minn Kota recommends having the Talon serviced by an qualified marine technician at an Authorized Service Center.

REPLACING THE REMOTE BATTERY

TOOLS AND RESOURCES REQUIRED >

- Large Coin

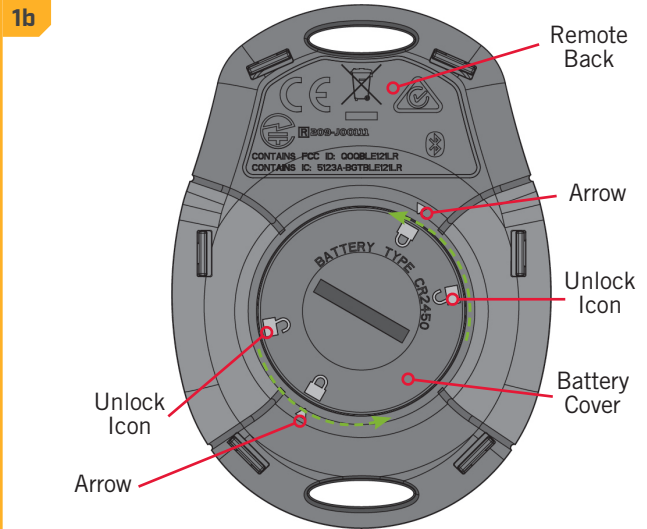
INSTALLATION >

- 1 a. Make sure your hands are clean, dry and static free. Temporarily ground yourself by touching a grounded metal object in order to discharge any static electricity in your body.

⚠ CAUTION

Static electricity can cause damage to the circuit board. Discharge any static electricity by touching a metal object that is grounded before beginning the remote battery replacement.

- b. With the back of the Remote facing you, use a large coin to rotate the Battery Cover counterclockwise until either of the Unlock Icons align with the Arrow.

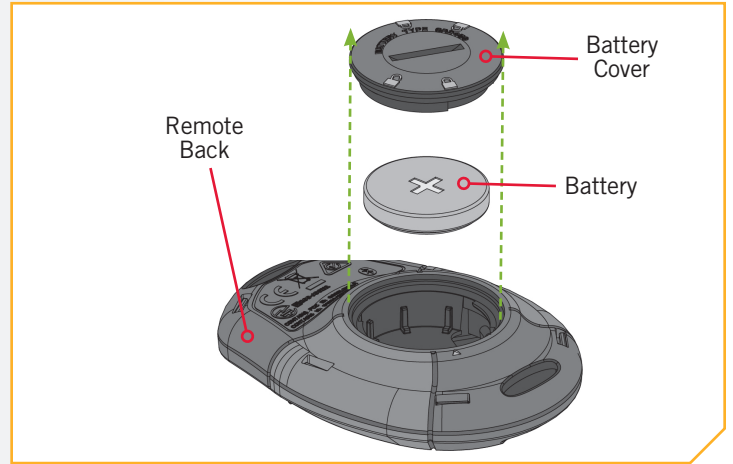


REPLACING THE BATTERY

2

- c. Remove the Battery Cover and old battery and replace with a new CR2450 coin cell battery. Note the proper polarity of the battery.

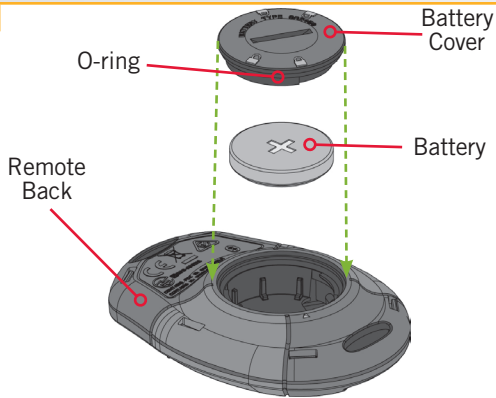
NOTICE: The replacement battery must be a model CR2450 coin cell type. It is strongly recommended that a high quality battery is used. The positive (+) of the battery should be facing towards the Battery Cover.



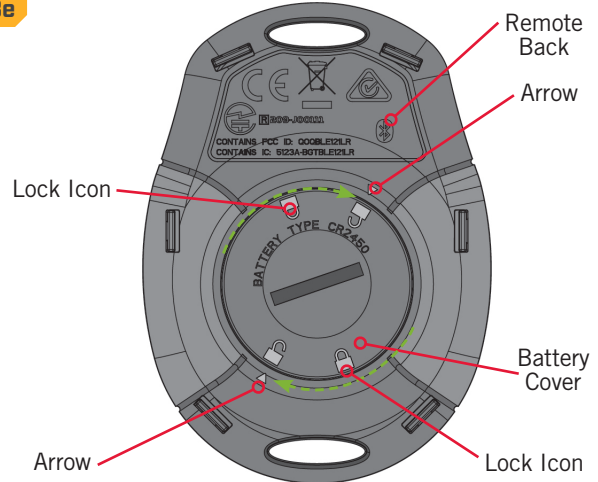
3

- d. Ensure the rubber O-ring is properly seated in the underside of the Battery Cover. Replace battery cover by aligning either of the Unlock icons with the arrow, and pressing the cover down.
- e. Rotate the Battery Cover clockwise using the large coin until the Lock Icon aligns with the Arrow.

3d



3e


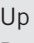

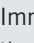
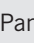


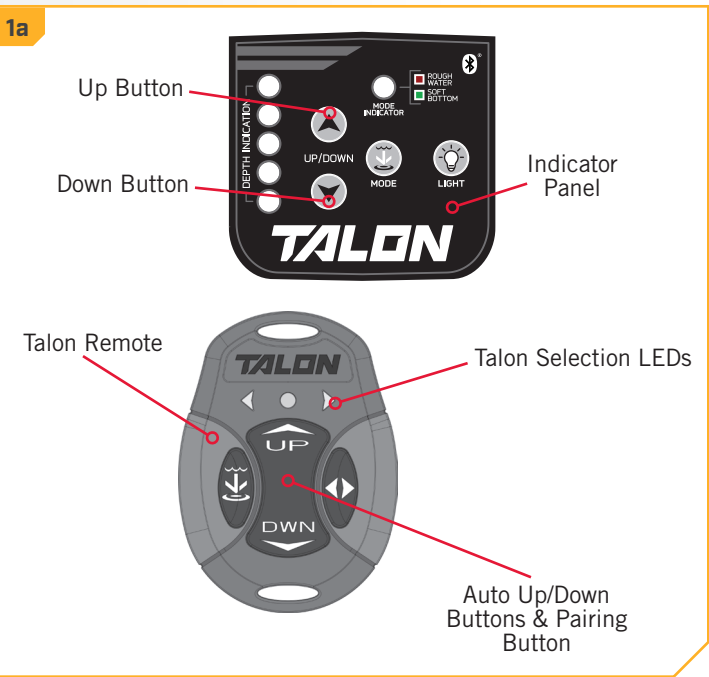
PAIRING A REMOTE TO A SINGLE TALON

PAIRING A REMOTE TO A SINGLE TALON

Every Talon comes direct from the factory with a remote already paired to the Talon. However, any Talon can be paired with up to 3 devices per Talon.

1


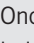
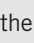
- a. Retract the anchor on the Talon by pressing the Up  button.
- b. Once the Talon is fully retracted, press and hold the Up  button and the Down  button on the Remote at the same time until the Talon Selection LEDs on the Remote begin to scroll. Then release them.
- c. Immediately press and hold the Up  button and the Down  button simultaneously on the Indicator Panel. The Depth Indication LEDs will begin to flash blue. Once the LEDs are flashing release the buttons on the Indicator Panel. The Talon and Remote will go into Pairing Mode for 20 seconds. If a signal with three fast beeps occurs, the Talon and Remote have successfully paired. If 20 seconds pass while in Pairing Mode and they do not successfully pair, a chirp will sound signaling that the Pairing has timed out.
- d. If the Pair is unsuccessful, repeat the process.

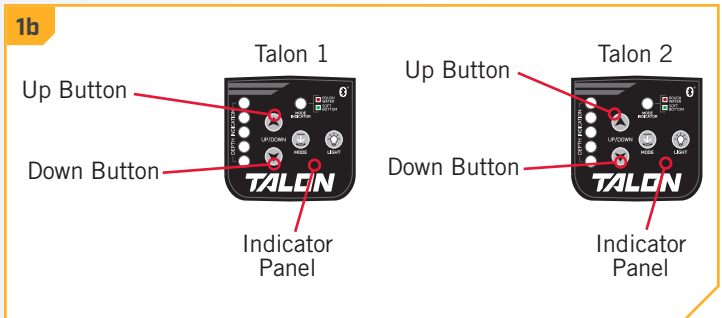


PAIRING TWO TALONS AND PROGRAMMING THE MOUNTING LOCATION


PAIRING TWO TALONS AND PROGRAMMING THE MOUNTING LOCATION

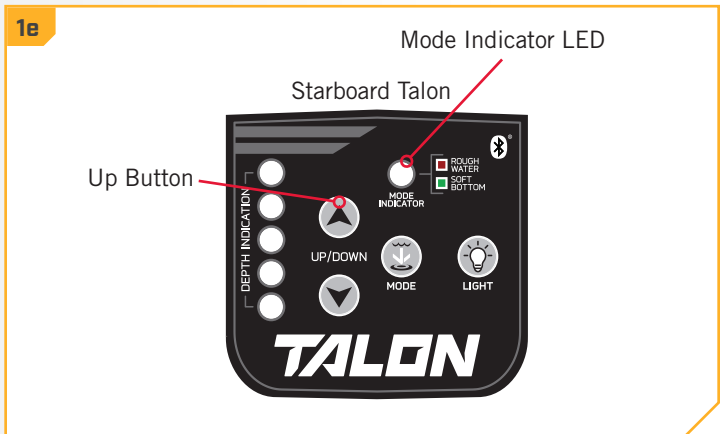
Every Talon comes direct from the factory with a remote already paired to the Talon. However, any Talon can be paired with up to 3 devices per Talon. When a boat has two Bluetooth enabled Talons installed, it is necessary to pair both Talons together, and to program which side of the boat each Talon is installed on. The process below is used to pair the Talons together, and to designate which side of the boat the each Talon is installed on. When the process is complete, all remotes that were paired to an individual Talon will now operate both Talons. If not, please see the "Pairing a remote to two Talons" section of this manual. Adding more than 3 devices per Talon may affect communication within the Bluetooth network.

- 1
 - a. Retract the anchor on both Talons by pressing the Up  button on each Talon.
 - b. Once both Talons are fully retracted, press and hold the Up  button and the Down  button on the Indicator Panel of one Talon. Once the Depth Indication LEDs on the Indicator Panel begins to flash blue, release the buttons. Immediately follow this step on the second Talon.
 - c. Once the buttons are released, the Talons are in Pairing Mode and will search for each other for 20 seconds. If they do not Pair after 20 seconds, an error tone will sound signaling that the Pairing has timed out. If this occurs, double check that the Talons are fully retracted and start the process again.
 - d. If the Talons successfully Pair, a confirmation tone with three fast beeps will occur. At this point, the Talons have successfully paired, and now need to be programmed to designate the Port or Starboard locations.



2 **NOTICE:** This process will automatically begin when two Talons have successfully paired to each other.





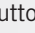
- e. The Mode Indicator LED will turn green on both Talons. On the Indicator Panel of the Starboard Talon, press the Up  button. The Talon will accept the selection. The Talon on the Port side will flash red and then the LEDs on both Talons will turn off. Now the Talons are successfully Paired together and know their mounted position.

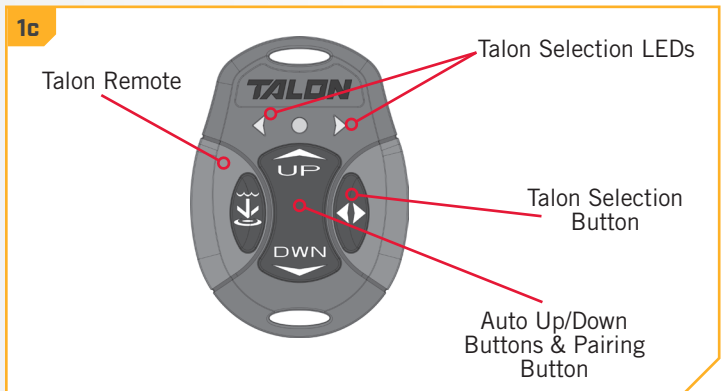
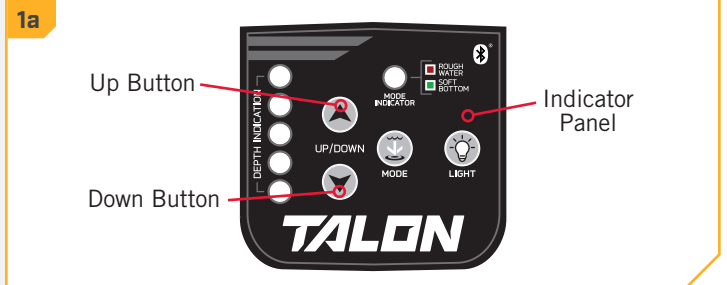


PAIRING A REMOTE TO TWO TALONS

PAIRING A REMOTE TO TWO TALONS


In order to Pair a remote to the Talon, please be sure to first Pair the Talons together. When two Bluetooth Talons are paired together, all remotes that were paired to an individual Talon will operate both Talons. Please see the "Pairing Two Talons and Programming the Mounting Location" section of this manual. If the two Talons are already paired together, a remote can be paired to either Talon. When the pairing process is complete, the remote will be able to control both Talons.

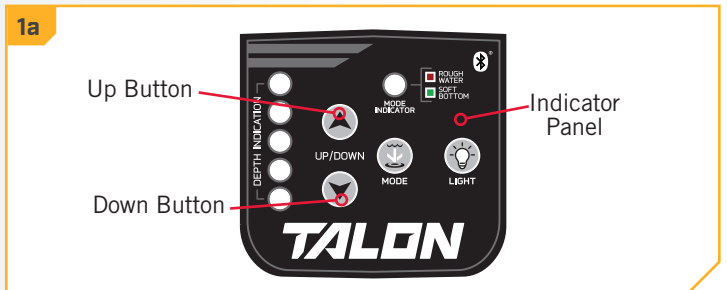
- 1**
 - a. Retract the anchor on both Talons by pressing the Up  button.
 - b. Once both Talons are fully retracted, press and hold the Up  button and the Down  button on the Remote at the same time until the Talon Selection LEDs on the Remote begin to scroll. After 2 seconds, release the buttons.
 - c. Immediately press and hold the Up  button and the Down  button simultaneously on the Indicator Panel of one Talon. The Depth Indication LEDs will begin to flash blue on both Talons. Once the LEDs are flashing release the buttons on the Indicator Panel. The Talon and Remote will go into Pairing Mode for 20 seconds.
 - d. If a tone with three fast beeps occurs, the Talon and Remote have successfully paired. If 20 seconds pass while in Pairing Mode and they do not successfully pair, an error tone will sound signaling that the Pairing has timed out.
 - e. If the Pair is unsuccessful, repeat the process.



CLEARING PAIRED REMOTES OR DEVICES FROM THE TALON

The Talon was designed so that all paired devices can be cleared from memory.

- 1**
 - a. Retract the anchor on the Talon by pressing the Up  button.
 - b. Turn the power to the Talon "off".

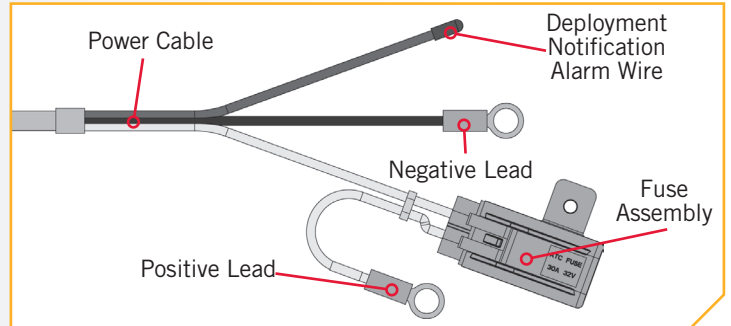


CLEARING PAIRED REMOTES OR DEVICES FROM THE TALON

2

NOTICE: This may require assistance from another person.

- c. While holding in the Up ▲ button on the Indicator Panel, restore power to the Talon. You will hear a long steady tone.
- d. After the steady tone stops, release the Up ▲ button. A series of fast beeps will be heard.
- e. The Talon memory is now clear of all previously paired devices.



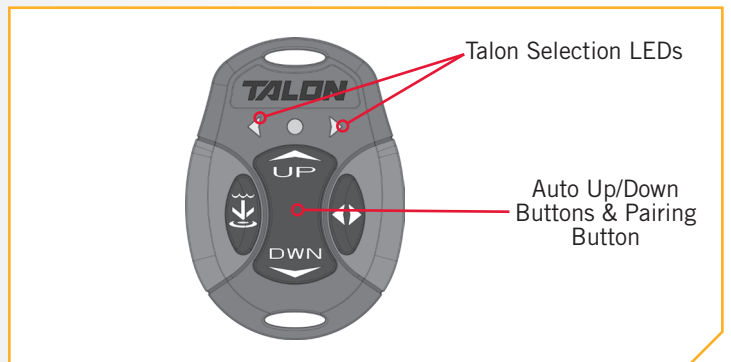
CLEARING PAIRED TALONS FROM THE REMOTE

The Remote was designed so that all paired Talons can be cleared from memory.

1

- a. Press and hold the Up ▲ button and the Down ▼ button on the Remote at the same time until the Talon Selection LEDs on the Remote begin to scroll, release the buttons. The Remote will go into Pairing Mode for 30 seconds. Once Pairing times out all Talons will be cleared.

NOTICE: Putting the Remote into Pairing Mode, even if it is accidental, without Pairing the Remote to a Talon will clear all paired Talons.



MANUALLY RETRACT THE TALON

In the event that you ever need to manually retract the Talon, follow the procedure below.

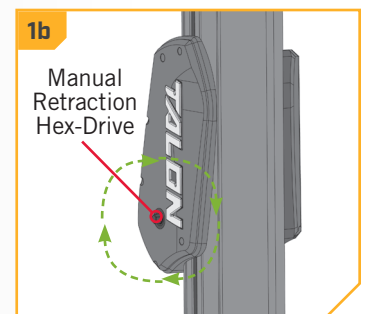
NOTICE: The Talon would need to be in a deployed state when the Manual Retraction Procedure is used.

1

- a. Press and hold the Up ▲ button on the Indicator Panel until you hear 3 successive beeps. This will put the Talon in Manual Retraction Mode.
- b. Remove the Rubber Cap on the Manual Retraction Hex-Drive and use a 7/16" Socket Wrench, to turn the Hex-Drive in a clockwise direction.


CAUTION

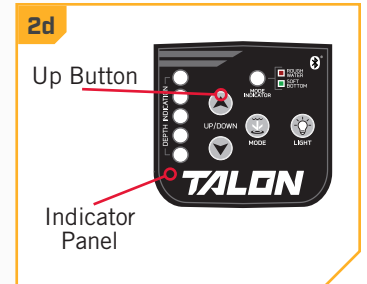
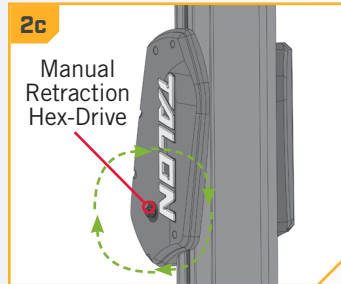
The Talon may become slippery when wet. Be careful not to slip and fall when adjusting the Manual Retraction Hex-Drive.



THE RETRACTION NOTIFICATION ALARM

2

- c. Continue to turn the Hex-Drive in a clockwise direction until the Talon is fully retracted. Visually confirm that the Spike is fully retracted.
- d. Once retracted, the Talon must be taken out of Manual Retraction Mode. Manual Retraction mode will time-out after 30 minutes, or press and release the Up  button on the Indicator Panel. Three successive beeps will sound. This tone will confirm that the Talon has exited Manual Mode.



NOTICE: Once the Talon is put into Manual Retraction Mode, it will stay in this mode for 30 minutes.


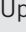
THE RETRACTION NOTIFICATION ALARM

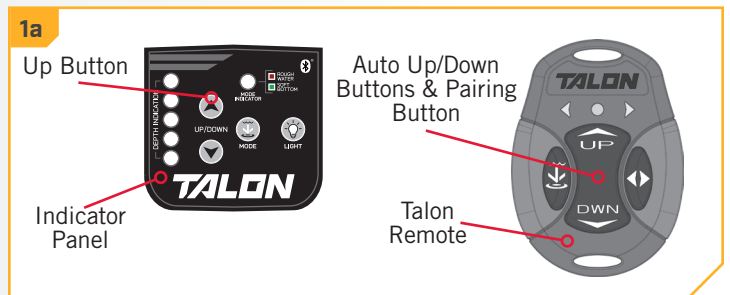
The Talon is equipped with a Retraction Notification Alarm to protect the lift motor. If the lift capacity of the motor is exceeded or the motor takes more than 10 seconds to retract, the motor will stop and emit a series of three sets of three beeps. This is different from the Deployment Notification Alarm, which will emit a tone each time the ignition key is turned "on" and the anchor is not retracted. The Retraction Notification Alarm sounds when the Talon fails to retract. The most common reasons for the Retraction Notification Alarm sounding are:

1. Because of an extremely soft or muddy bottom and the Spike is deeply buried and cannot retract on its own.
2. There may be an excessive amount of side load on the Spike, generally due to fast moving water currents or wind.
3. Battery Power is low. This may create a retraction time that is greater than 10 seconds.
4. Obstructions on the anchor prevent it from retracting.

If the Retraction Notification alarm is emitted, the following steps should be taken to retract the anchor.

1

- a. Press the Up  button on the Indicator Panel or the Up  button on the Remote. If the Spike does not raise within two attempts:
- b. Loosen the Spike from the bottom by carefully driving the boat back and forth using the main engine power. Then attempt to raise the anchor again. This is especially useful if you are fishing in a soft or muddy bottom structure.
- c. Remove any excessive side loads on the anchor as described above. This generally requires re-backing against the current or the direction of the load and then attempting to retract the anchor again with the side load removed. In the event that the Spike cannot be retracted normally, please refer to the "Manually Retract the Talon" section of this manual.



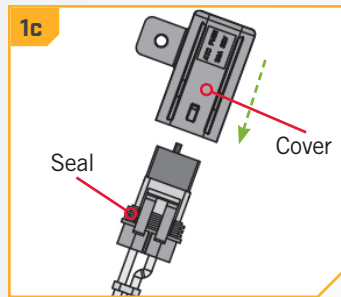
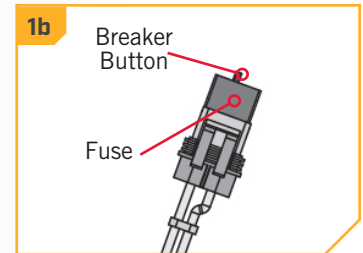
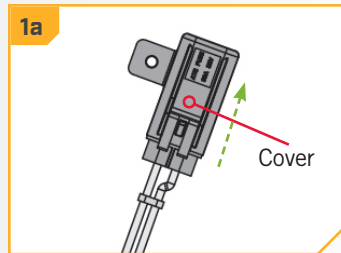
NOTICE: If this is typical for the areas where you fish, Minn Kota strongly recommends using the Soft-Bottom Mode.

RESET THE FUSE

RESET THE FUSE

In the event that you need to reset the factory installed 30 amp Fuse, follow the instruction below. The fuse should be located no more than 7 inches from the Positive Battery terminal on the Positive Lead (+). If an alternate Fuse is installed, please refer to directions by your Fuse manufacturer to correctly reset it.

- 1**
 - a. Remove the protective cover from the Fuse Assembly, exposing the 30 amp Fuse.
 - b. Reset the Fuse by pushing the Breaker Button to engage the Fuse.
 - c. Ensure that the Seal is in place, and replace the protective housing on the Fuse Assembly. Make sure that the Cover snaps together to provide a watertight seal.



REPLACING THE SPIKE

The Spike for your Talon comes with a lifetime guarantee. See the Warranty section of the manual for further details. In order to replace the Spike, you must have enough room to extend the entire First Stage and the beginning of the Second Stage of the Talon. Determine if you have room to replace the Spike in the vertical position. If there is not enough space to replace the Spike in the vertical position, it may be required to remove the Talon from the Mounting Bracket. The Talon Tilt Bracket (1810222) is an accessory available to make this process easier. With this accessory, you don't have to remove the Talon from the mount to replace the Spike as it allows the Talon to be rotated into a horizontal position.



NOTICE: The Talon Tilt Bracket accessory (1810222) is available to make this process easier. With this accessory, you don't have to remove the Talon from the mount to replace the Spike.

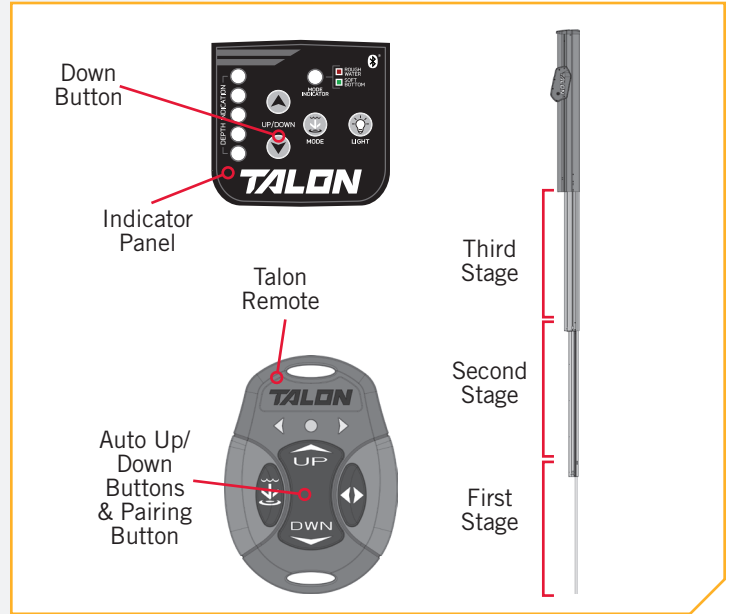
TOOLS AND RESOURCES REQUIRED >

- Pin Punch 1/8"
- Hammer
- 3/32" Allen Wrench

INSTALLATION

1

- a. Press the Down  button on the Indicator Panel or the Down  button on the Remote to extend the Spike out so that the Second Stage begins to exit the bottom of the Talon. This may require removing the Talon from the Mounting Bracket, and laying it horizontally on a flat surface.
- b. Once extended, remove the Talon from the Power Source.



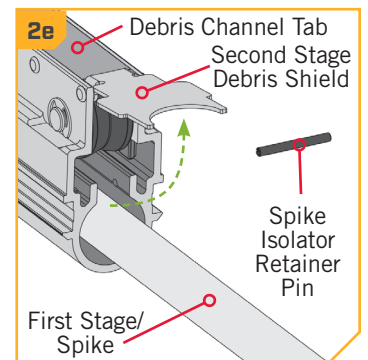
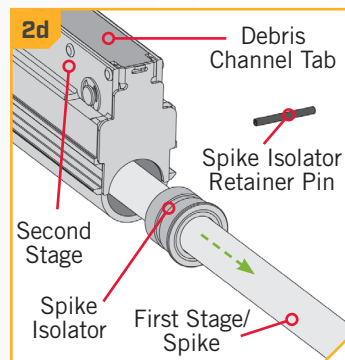
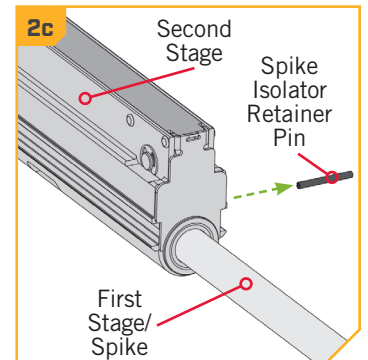
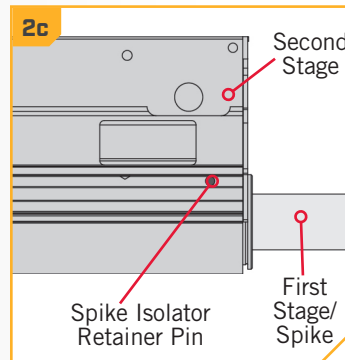
CAUTION

Before beginning any maintenance work, disconnect the Talon from the battery or if connected to a battery selector switch or power disconnect switch, make sure that it is turned to the "off" position. Failure to disconnect power during maintenance work may result in shock, unexpected operation and/or injury.

2

- c. Locate the Spike Isolator Retainer Pin in the Second Stage of the Talon. Carefully remove the Retainer Pin using a Pin Punch and Hammer.
- d. Set the Spike Isolator Retainer Pin aside for later use, in reassembly. Slide the Spike Isolator along the Spike, away from the Second Stage.
- e. Gently pivot the Second Stage Debris Shield up out of the way to access the Spike Retainer Screw. The adjacent plastic Debris Channel Tab will bend slightly, but can be tapped back into place with a small hammer after the Spike is replaced.

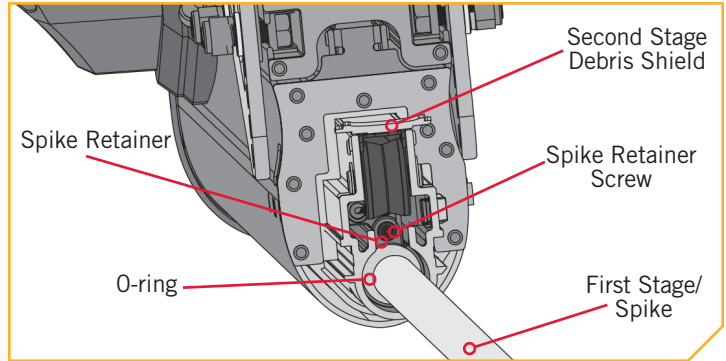
NOTICE: It is normal to experience cosmetic changes in the appearance of the Debris Channel Tab during this procedure.



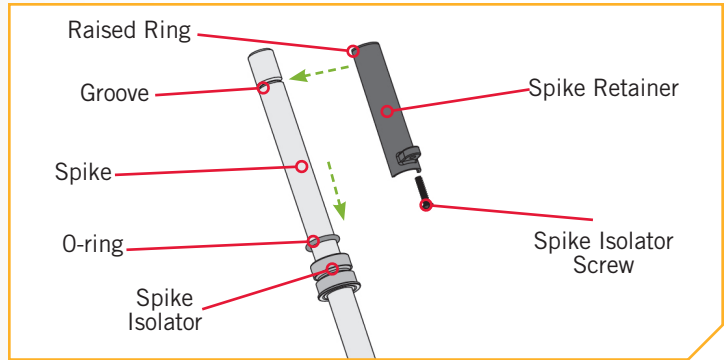
REPLACE THE SPIKE



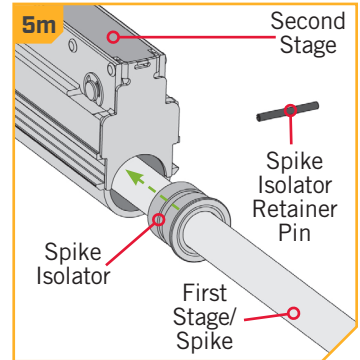
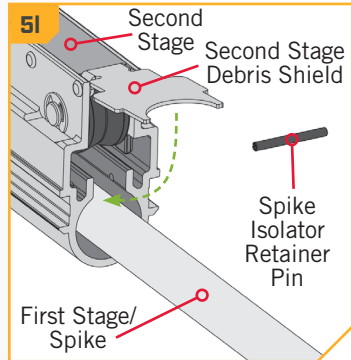
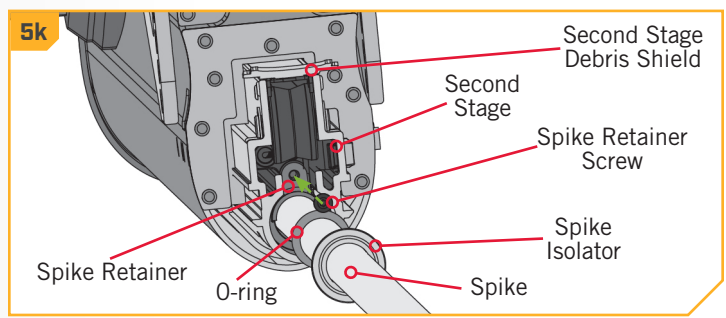
- 3**
- f. Locate the Spike Retainer Screw and remove it using a 3/32" Allen Wrench.
 - g. Once removed, the Spike should pull free from the Second Stage along with the Spike Retainer and an O-ring that is in place around the Spike. The Spike Retainer is the piece that the Spike Retainer Screw was just removed from.
 - h. Discard the Spike Retainer Screw, Spike, O-ring and Spike Isolator that were just removed. Keep the Spike Retainer for reassembly.



- 4**
- i. Take the new Spike and locate the groove along one end. Slide the new Spike Isolator and then O-ring onto the Spike on the end where the groove is located. Slide them down so they are 5 to 6 inches past the end of the Spike.
 - j. Locate the raised ring on the inside curve of the Spike Retainer and align it with the groove at the end of the Spike. Place the Spike Retainer on the Spike so that it is keyed in place by aligning the raised ring and groove.





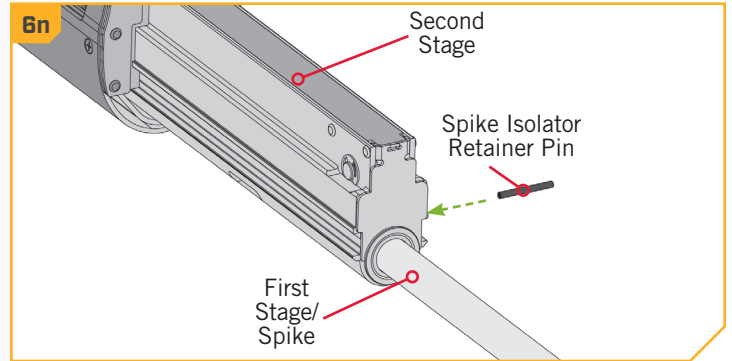
- 5**
- k. Slide the assembly back into the Second Stage and replace the Spike Retainer Screw in the Spike Retainer using a 3/32" Allen Wrench.
 - l. Once the Screw is secure, close the Second Stage Debris Shield.
 - m. Push the O-ring and Spike Isolator towards the Second Stage and until they are in position against the Spike Retainer and Second Stage Debris Shield.



REPLACE THE SPIKE

6

- n. Carefully replace the Spike Isolator Retainer Pin, making sure the ends of the pin are recessed on both sides.
- o. If the Talon was removed to replace the Spike, reassemble the Talon into the Mounting Bracket. Reconnect power before using the Talon or retracting the Spike.
- p. Press the Up  button on the Indicator Panel or the Up  button on the Remote to retract the Talon.



GENERAL MAINTENANCE

GENERAL MAINTENANCE



CAUTION

Before beginning any maintenance work, disconnect the Talon from the battery or if connected to a battery selector switch or power disconnect switch, make sure that it is turned to the "off" position. Failure to disconnect power during maintenance work may result in shock, unexpected operation and/or injury. The Talon may be imbalanced and fall during maintenance work. Support the full length of the Talon, including when the Spike is extended, to keep it properly secured and balanced during maintenance work.

Minn Kota recommends as part of your normal routine, to rinse the Talon to minimize any build up on the anchor. Following one of the rinse practices listed below is recommended after every use.

› 30 Second Deep Water Rinse

(Recommended)

1. Before docking / trailering your boat, enter into water depths that exceed the depth capacity of your Talon in an area free of obstructions.
2. Double click the Down Button  on the remote to auto deploy the Talon to full extension.
3. Place the main engine into gear AT IDLE ONLY.
4. Single click the Up Button  on the remote.

› Extended Hose Rinse

1. Lay the Talon down and extend fully.
2. For simplicity, we suggest using a Talon Tilt Bracket accessory (1810222). Otherwise, remove the Talon from the mounting bracket and lay down to extend for rinsing.
3. Rinse the sections of the Talon thoroughly while extended.
4. Retract the Talon, and return it to its upright installed position.

› Additional Maintenance

- After the Talon is in use, periodically check the Hex Head Cap Screws and Nylock Nuts on the Mounting Bracket and tighten them to 30 in-lbs.
- Inspect the Talon Power Cable and wires for signs of wear and keep them free and clear from high traffic areas to avoid damage.
- Inspect the Spike after each use to check for wear, damage or fractures. Replace the Spike if damage is present.



TROUBLESHOOTING

1. Why do I want to be able to adjust the Talon up or down when mounting on my boat?
 - Each boat sits differently in the water, and has varying amounts of draft (hull under the waterline). While Minn Kota recommends that the Talon mounting bracket be mounted as high up on the transom as possible, Minn Kota also recommends that the bottom of the Talon be a minimum of 4" up from the bottom line of the hull of your boat. Having this adjustability will minimize any spray that may occur while under way, and offer the greatest amount of stability to the Talon.
2. When do I want to use the reverse angle on the bracket when mounting the Talon?
 - Some boat models have transoms that angle towards the inside of the boat. In these cases, the Talon quick release bracket can be inverted to account for this reversed angle without the hassle of shims.
3. Do I need a separate battery to operate the Talon?
 - No. Minn Kota recommends connecting your Talon to the starting/cranking battery of your boat.
4. Can I install an electrical plug on the Talon lead wires?
 - Yes. Minn Kota offers a quick disconnect plug accessory (1810244) specifically designed for the Talon.
5. How do I determine where and how to mount the Talon?
 - This will vary from one boat to the next. It is important to check for proper steering and trimming clearances when laying out your installation. See the Installation section of this Manual for detailed instructions.
6. Which side of the boat do I want to install the Talon?
 - Minn Kota recommends installing your Talon on the port (left) side of your boat in order to give you the maximum amount of clearance between the boat engine and the control panel of the Talon. However, the Talon can be installed on either side or both sides of the boat.
7. How do I mount the Talon when I have trim tabs?
 - Talon requires a minimum of 6" of clearance from the mounting surface. If further clearance is required, or it is necessary to mount over top of trim tabs, Minn Kota offers a 6" riser accessory and a variety of adapter plates that will give you the proper amount of setback (distance from the transom) to clear trim tabs and/or other accessories.
8. How do I know when I should use a mounting adapter bracket?
 - Some boats have irregular-shaped transoms and the standard Talon quick release mounting bracket cannot be mounted directly to the transom. In other cases there are other accessories such as trim tabs, transducers, poling platforms, etc., that may require additional clearance. Use the Talon Adapter Bracket Selection Guide to select the proper application for your boat.

NOTICE: For all other malfunctions, visit an Authorized Service Center. You can search for an Authorized Service Center in your area by visiting our Authorized Service page, found online at minnkotamotors.com, or by calling our customer service number at 800-227-6433.



FOR FURTHER TROUBLESHOOTING AND REPAIR



FOR FURTHER TROUBLESHOOTING AND REPAIR

We offer several options to help you troubleshoot and/or repair your product. Please read through the options listed below.



Buy Parts Online

You can buy parts on-line directly from our website at minnkotamotors.com. Orders confirmed by 12 Noon Central Time, with Overnight Shipping selected, should ship the same business day if the parts are in stock. All other orders should ship within the next 3 business days, depending on the shipment method chosen, and if the parts are in stock.



Frequently Asked Questions

We have FAQs available on our website to help answer all of your Minn Kota questions. Visit minnkotamotors.com and click on “Frequently Asked Questions” to find an answer to your question.



Call Us (for U.S. and Canada)

Our consumer service representatives are available Monday – Friday between 7:00 a.m. – 4:30 p.m. CST at 800-227-6433. If you are calling to order parts, please have the 11-character serial number from your product, specific part numbers, and credit card information available. This will help expedite your call and allow us to provide you with the best consumer service possible. You can reference the parts list located in your manual to identify the specific part numbers.



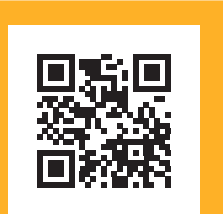
Email Us

You can email our consumer service department with questions regarding your Minn Kota products. To email your question, visit minnkotamotors.com and click on “Support”.



Authorized Service Centers

Minn Kota has over 800 authorized service providers in the United States and Canada where you can purchase parts or get your products repaired. Please visit our Authorized Service Center page on our website to locate a service provider in your area.



Scan to visit Minn Kota service online.

COMPLIANCE STATEMENTS

ENVIRONMENTAL COMPLIANCE STATEMENT

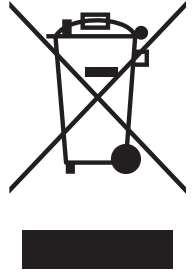
It is the intention of JOME to be a responsible corporate citizen, operating in compliance with known and applicable environmental regulations, and a good neighbor in the communities where we make or sell our products.

WEEE DIRECTIVE

EU Directive 2002/96/EC “Waste of Electrical and Electronic Equipment Directive (WEEE)” impacts most distributors, sellers, and manufacturers of consumer electronics in the European Union. The WEEE Directive requires the producer of consumer electronics to take responsibility for the management of waste from their products to achieve environmentally responsible disposal during the product life cycle.

WEEE compliance may not be required in your location for electrical & electronic equipment (EEE), nor may it be required for EEE designed and intended as fixed or temporary installation in transportation vehicles such as automobiles, aircraft, and boats. In some European Union member states, these vehicles are considered outside of the scope of the Directive, and EEE for those applications can be considered excluded from the WEEE Directive requirement.

This symbol (WEEE wheelie bin) on product indicates the product must not be disposed of with other household refuse. It must be disposed of and collected for recycling and recovery of waste EEE. Johnson Outdoors Inc. will mark all EEE products in accordance with the WEEE Directive. It is our goal to comply in the collection, treatment, recovery, and environmentally sound disposal of those products; however, these requirements do vary within European Union member states. For more information about where you should dispose of your waste equipment for recycling and recovery and/or your European Union member state requirements, please contact your dealer or distributor from which your product was purchased.



DISPOSAL

Minn Kota Talons are not subject to the disposal regulations EAG-VO (electric devices directive) that implements the WEEE directive. Nevertheless never dispose of your Minn Kota Talon in a garbage bin but at the proper place of collection of your local town council.

Never dispose of battery in a garbage bin. Comply with the disposal directions of the manufacturer or his representative and dispose of them at the proper place of collection of your local town council.

REGULATORY COMPLIANCE INFORMATION

› Talon

CONTROLLER : 2374151

- Contains IC: 216Q-1316
- Contains FCC ID: T7V1316



REMOTE : 2994150

- Contains IC: 5123A-BGTBLE121LR
- Contains FCC ID: QQQBLE121LR



COMPLIANCE STATEMENTS



FCC COMPLIANCE

This device complies with Part 15 of the FCC rules. **Operation is subject to the following two conditions:**

1. This device may not cause harmful interference.
2. This device must accept any interference that may be received, including interference that may cause undesired operation.

Changes or modifications not expressly approved by Johnson Outdoors Marine Electronics, Inc. could void the user's authority to operate this equipment.

NOTICE: This equipment has been tested and found to comply with the limits for a Class B digital device, pursuant to part 15 of the FCC Rules. These limits are designed to provide reasonable protection against harmful interference in a residential installation. This equipment generates, uses and can radiate radio frequency energy and, if not installed and used in accordance with the instructions, may cause harmful interference to radio communications. However, there is no guarantee that interference will not occur in a particular installation. **If this equipment does cause harmful interference to radio or television reception, which can be determined by turning the equipment off and on, the user is encouraged to try to correct the interference by one or more of the following measures:**

- Reorient or relocate the receiving antenna.
- Increase the separation between the equipment and receiver.
- Connect the equipment into an outlet on a circuit different from that to which the receiver is connected.
- Consult the dealer or an experienced radio/TV technician for help.

INDUSTRY CANADA COMPLIANCE

This product meets the applicable Industry Canada technical specifications. Operation is subject to the following two conditions: (1) this device may not cause interference, and (2) this device must accept any interference, including interference that may cause undesired operation of the device.

Changes or modifications not expressly approved by Johnson Outdoors Marine Electronics, Inc. could void the user's authority to operate this equipment.

ENVIRONMENTAL RATINGS

Ambient operating temperature range: -10C to 50C
Ambient operating humidity range: 5% to 95%
Maximum operating altitude: 10,000 feet

RADIO OPERATION

CONTROLLER

- Frequency band: 2402 MHz to 2480 MHz
- Maximum RF power transmitted: +10 dBm

REMOTE

- Frequency band: 2402 MHz to 2480 MHz
- Maximum RF power transmitted: +10 dBm

TRADEMARKS

Minn Kota®, i-Pilot® and i-Pilot® Link™ are trademarked by or registered trademarks of Johnson Outdoors Marine Electronics, Inc.

The Bluetooth® word mark and logos are registered trademarks owned by Bluetooth SIG, Inc. and any use of such marks by Johnson Outdoors Inc is under license. Other trademarks and trade names are those of their respective owners.

CE MASTER USER MANUAL [FOR CE CERTIFIED MODELS]



PARTS DIAGRAM & PARTS LIST

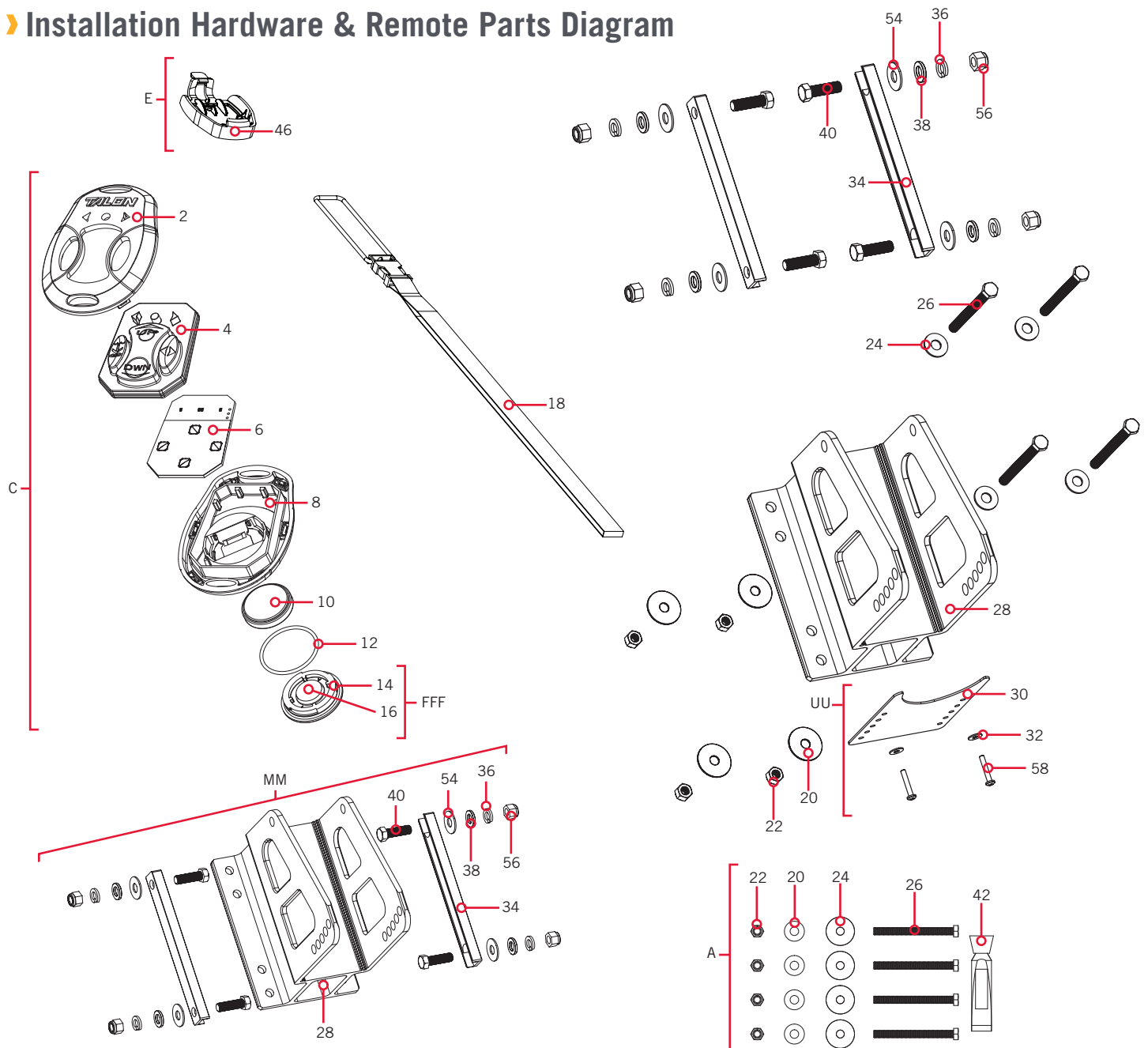
TALON

12 VOLT - 8'/10'/12'/15' TALON

The parts diagram and parts list provides Minn Kota® WEEE compliance disassembly instructions. For more information about where you should dispose of your waste equipment for recycling and recovery and/or your European Union member state requirements, please contact your dealer or distributor from which your product was purchased. Tools required, but not limited to: flat head screwdriver, Phillips screwdriver, socket set, pliers, wire cutters.

TALON INSTALLATION HARDWARE AND REMOTE >

> Installation Hardware & Remote Parts Diagram



PARTS DIAGRAM & PARTS LIST

Installation Hardware & Remote Parts List

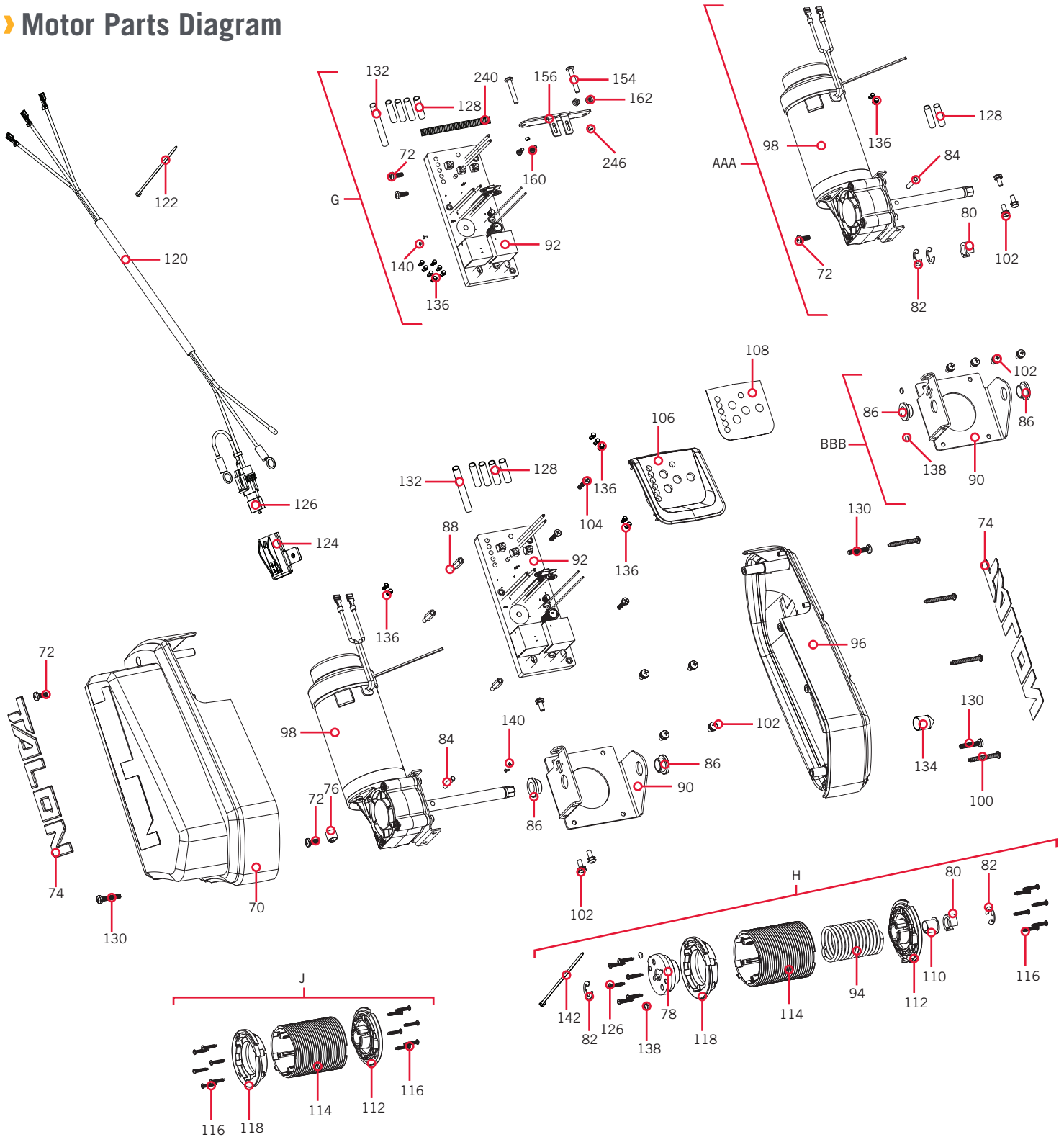
Assembly	Part #	Description	Quantity
A	2994903	TALON HARDWARE BAG ASSY	1
C	2994150	TRANSMITTER ASM, TALON 3	1
E	2771829	BRACKET,DASH MNT HLDR/TAPE KIT	1
MM	2778725	TILT BRACKET & HARDWARE KIT	1
UU	2886447	WATER SHIELD KIT, TALON BT	1
FFF	2886422	COVER, BATTERY COMPARTMENT ASY	1
Item	Part #	Description	Quantity
2	2372542	CASE-REMOTE, TOP, TALON 3	1
4	2375122	KEYPAD-REMOTE, TALON 3	1
6	✖	CTRL BOARD, TRNSMTR, TALON 3	1
8	2372545	CASE-REMOTE, BTM, TALON 3	1
10	✖	BATTERY CR2450	1
12	2376941	GASKET,BATTERY COMPARTMENT	1
14	✖	COVER, BATTERY COMPRT(SUB)	1
16	✖	PAD-FOAM, I-PILOT 1.5	1
18	2390801	LANYARD, REMOTE	1
20	2371752	WASHER-FENDER, 5/16, SS	4
22	2223100	NUT-5/16-18 NYLOCK S/S	4
24	2371749	WASHER-FLAT 5/16 SS	4
26	2373525	BOLT-5/16-18 X 3 1/2" HHCS SS	4
28	2378725	BRACKET-TILT-MACH	1
30	2376447	WATER SHIELD, DEFLECTOR - TALON 2	1
32	2371754	#8 WASHER, 1/2" OD, SS	2
34	2373815	TALON MOUNTING STRAP, T2	2
36	3391706	WASHER, LOCK - 3/8"	4
38	2371758	3/8 HD FLAT WASHER, SS	4
40	2383459	3/8-24 X 1.25 HHCS, SS	4
42	2378608	ANTI SEIZE TUBE, 4CC, TALON	1
44	2014802 ▲	BAG-ZPLCK(4X6)4ML ANTISTATIC	1
46	2371829	BRACKET, RMT DASH MNT HLDR	1
48	2375104 ▲	TAPE, MNTG FOAM ULINE #S-10131	1
50	2377170 ▲	MANUAL, TALON BT	1
52	2377171 ▲	MANUAL, INSTALL GUIDE T3	1
54	2378716	GUARD, EXTRUSION BRACKET	4
56	2373138	3/8-24 NYLOK NUT, SS	4
58	2263434	#8-18 X 1 SS PPH	2
60	2297165 ▲	MANUAL-DISCLAIMER, DWNLOAD INFO	1

✖ This part is included in an assembly and cannot be ordered individually.

▲ Not shown on Parts Diagram.

TALON MOTOR >

> Motor Parts Diagram



PARTS DIAGRAM & PARTS LIST

Motor Parts List

Assembly	Part #	Description	Quantity
G	2774151	CONTROL BOARD KIT, TALON BT	1
H	2777921	WRAP DRUM REPLACEMENT KIT BT	1
J	2997921	MODULAR WRAP DRUM ASM - TALON 3 - 15FT	1
AAA	2887822	MOTOR ASM KIT, TALON BT	1
BBB	2888745	MOTOR MOUNT WRAP DRUM KIT	1
Item	Part #	Description	Quantity
70	2376581	HOUSING,LEFT,BLACK,TALON 3 *8FT RED* *8FT BLUE* *8FT BLACK* *8FT SILVER/BLACK* *10FT RED* *10FT BLUE* *10FT BLACK* *10FT SILVER/BLACK* *10FT SILVER/WHITE* *10FT WHITE* *15FT*	1
	2376582	HOUSING,LEFT,WHITE,TALON 3 *8FT SILVER/WHITE* *8FT WHITE* *10FT SILVER/WHITE* *10FT WHITE* *12FT SILVER/WHITE* *12FT WHITE*	1
72	2303434	SCREW-8-32 X 5/8 PPMS SS	2
74	2378871	DECAL, SIDE TALON 3	2
76	2040721	CLAMP CABLE, 3/16"	1
78	2377906	HUB, WRAP DRUM, ALUMINUM	1
80	2371537	WRAP DRUM SPACER	1
82	2373005	E-RING EXTERNAL SS .500	2
84	3392640	PIN, DRIVESHAFT	1
86	2227304	BUSHING-HAT 1/2" SHAFT BRONZE	2
88	2371538	CONTROL BOARD SPACER, T2	3
90	2378745	WRAP DRUM MOUNT, TALON 2	1
92	*	PCB-ASM, TALON 3	1
94	2372749	SPRING TORSION, WRAP DRUM - TALON 3	1
96	2376583	HOUSING,RIGHT,BLACK,TALON 3 *8FT RED* *8FT BLUE* *8FT BLACK* *8FT SILVER/BLACK* *10FT RED* *10FT BLUE* *10FT BLACK* *10FT SILVER/BLACK* *10FT SILVER/WHITE* *10FT WHITE* *15FT*	1
	2376584	HOUSING,RIGHT,WHITE,TALON 3 *8FT SILVER/WHITE* *8FT WHITE* *10FT SILVER/WHITE* *10FT WHITE* *12FT SILVER/WHITE* *12FT WHITE*	1
98	2377824	MOTOR ASM SEALED	1
100	2383457	8-16X1.5 PLASTITE, SS	4
102	2373481	SCREW-#10-32 X 1/2"SEMS PPH SS	7
104	2303434	SCREW-8-32 X 5/8 PPMS SS	3
106	2370257	COVER,BEZEL,BLACK, TALON 3 *8FT RED* *8FT BLUE* *8FT BLACK* *8FT SILVER/BLACK* *10FT RED* *10FT BLUE* *10FT BLACK* *10FT SILVER/BLACK* *10FT SILVER/WHITE* *10FT WHITE* *15FT*	1
	2370258	COVER,BEZEL,WHITE, TALON 3 *8FT SILVER/WHITE* *8FT WHITE* *10FT SILVER/WHITE* *10FT WHITE* *12FT SILVER/WHITE* *12FT WHITE*	1
108	2375878	DECAL- BT TALON BEZEL – BLACK *8FT RED* *8FT BLUE* *8FT BLACK* *8FT SILVER/BLACK* *8FT SILVER/WHITE* *10FT RED* *10FT BLUE* *10FT BLACK* *10FT SILVER/BLACK* *10FT SILVER/WHITE* *12FT RED* *12FT BLUE* *12FT BLACK* *12FT SILVER/BLACK* *12FT SILVER/WHITE* *15FT BLACK* *15FT SILVER/BLACK*	1
	2375879	DECAL- BT TALON BEZEL – WHITE *8FT WHITE* *10FT WHITE* *12FT WHITE*	1

* This part is included in an assembly and cannot be ordered individually.

▲ Not shown on Parts Diagram.

PARTS DIAGRAM & PARTS LIST



Item	Part #	Description	Quantity
110	2376012	BEARING, WRAP DRUM	1
112	✖	FLANGE CLOSED END	1
114	✖	WRAP DRUM MODULAR, TALON 3	1
116	✖	SCREW, #6 X 0.50 SS HI-LOW	12
118	✖	FLANGE, OPEN END	1
120	2778514	POWER CORD	1
122	9950433	TIE WRAP, 4"	1
124	2370279	CAP-RESETTABLE FUSE HOLDER	1
126	2378231	RESETTABLE FUSE	1
128	2305404	SHRINK TUBE-.374 ID X 1.0"	4
130	2383458	8-32X1 PPH, SS	3
132	2305402	SHRINK TUBE-.374 ID X 2.25"	1
134	2376727	CAP PLUG VINYL 1/2"	1
136	2040340	CONNECTOR, SCOTCHLOK, UY2	7
138	✖	MAGNET-.187X.125NCKL PLT	2
140	2373485	SCREW-#6-32X1/4"PPH SS	2
142	✖	TIE WRAP-DH35 11.5"	1

✖ This part is included in an assembly and cannot be ordered individually.

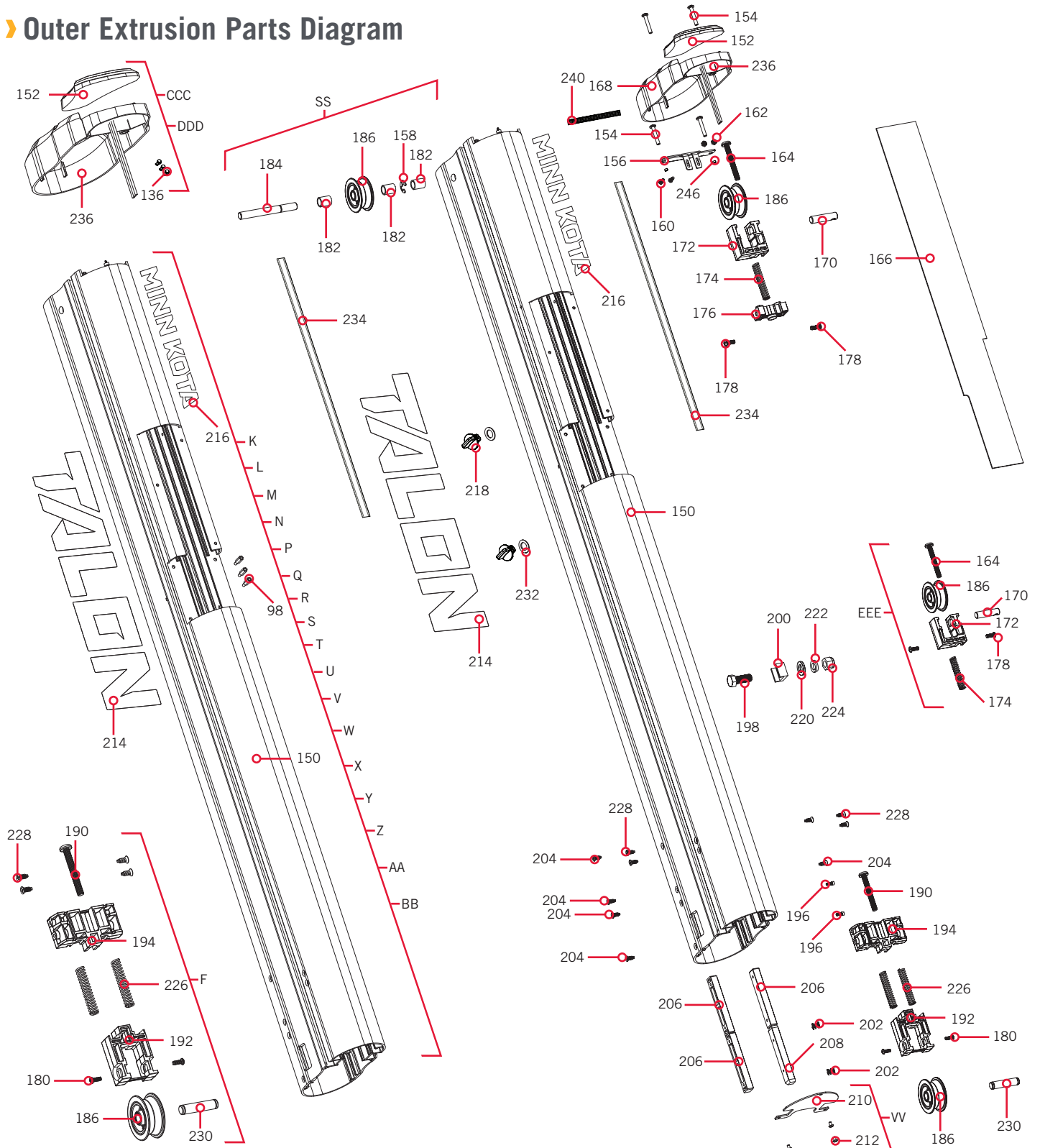
▲ Not shown on Parts Diagram.



PARTS DIAGRAM & PARTS LIST

TALON OUTER EXTRUSION

Outer Extrusion Parts Diagram



Outer Extrusion Parts List

Assembly	Part #	Description	Quantity
F	2273631	EXTENSIONER CABLE TENSIONER KIT	1
K	2777940	EXTRUSION 8' SLVR BT RPLC KIT	1
L	2777941	EXTRUSION 8' BLACK BT RPLC KIT	1
M	2777942	EXTRUSION 8' BLUE BT RPLC KIT	1
N	2777943	EXTRUSION 8' RED BT RPLC KIT	1
P	2777944	EXTRUSION 8' WHITE BT RPLC KIT	1
Q	2777945	EXTRUSION 10' SLVR BT RPLC KIT	1
R	2777946	EXTRUSION 10' BLK BT RPLC KIT	1
S	2777947	EXTRUSION 10' BLUE BT RPLC KIT	1
T	2777948	EXTRUSION 10' RED BT RPLC KIT	1
U	2777949	EXTRUSION 10' WHT BT RPLC KIT	1
V	2777950	EXTRUSION 12' SLVR BT RPLC KIT	1
W	2777951	EXTRUSION 12' SLVR BT RPLC KIT	1
X	2777952	EXTRUSION 12' BLUE BT RPLC KIT	1
Y	2777953	EXTRUSION 12' RED BT RPLC KIT	1
Z	2777954	EXTRUSION 12' WHT BT RPLC KIT	1
AA	2777955	EXTRUSION 15' SLVR BT RPLC KIT	1
BB	2777956	EXTRUSION 15' BLK BT RPLC KIT	1
SS	2882660	UPPER PULLEY KIT, LARGE	1
VV	2886470	WATER GUARD KIT, TALON BT	1
CCC	2994151	TALON BT TOP CAP ASM, WHT	1
DDD	2994152	TALON BT TOP CAP ASM, BLK	1
EEE	2772350	TENSIONER ASSEMBLY KIT	1
Item	Part #	Description	Quantity
150	✖	OUTER EXTRUSION 8' BRIGHT CLEAR *8FT SILVER/BLACK* *8FT SILVER/WHITE*	1
	✖	OUTER EXTRUSION 8' BLACK *8FT BLACK*	1
	✖	OUTER EXTRUSION 8' BLUE *8FT BLUE*	1
	✖	OUTER EXTRUSION 8' RED *8FT RED*	1
	✖	OUTER EXTRUSION 8' WHITE *8FT WHITE*	1
	✖	OUTER EXTRUSION 10' BRIGHT CLEAR *10FT SILVER/BLACK* *10FT SILVER/WHITE*	1
	✖	OUTER EXTRUSION 10' BLACK *10FT BLACK*	1
	✖	OUTER EXTRUSION 10' BLUE *10FT BLUE*	1
	✖	OUTER EXTRUSION 10' RED *10FT RED*	1
	✖	OUTER EXTRUSION 10' WHITE *10FT WHITE*	1
	✖	OUTER EXTRUSION 12' BRIGHT CLEAR *12FT SILVER/BLACK* *12FT SILVER/WHITE*	1
	✖	OUTER EXTRUSION 12' BLACK *12FT BLACK*	1

✖ This part is included in an assembly and cannot be ordered individually.

▲ Not shown on Parts Diagram.

PARTS DIAGRAM & PARTS LIST



Item	Part #	Description	Quantity
150	*	OUTER EXTRUSION 12' BLUE *12FT BLUE*	1
	2377953	OUTER EXTRUSION 12' RED *12FT RED*	1
	2377954	OUTER EXTRUSION 12' WHITE *12FT WHITE*	1
	2377955	OUTER EXTRUSION 15' BRIGHT CLEAR *15FT SILVER/BLACK*	1
	2377956	OUTER EXTRUSION 15' BLACK *15FT BLACK*	1
152	2378870	DECAL, COVER, TALON 3	1
154	2263434	#8-18 X 1 SS PPH	4
156	2378705	SENSOR BRACKET, TALON2	1
158	2370832	C-CLIP, 3/8 LOW CLEARANCE - SS	1
160	2373439	SCREW-#4-40 X 5/16" PPH SS	2
162	2373106	NUT-#4-40, NYLOK, SS	2
164	*	SCREW, 1/4 -20 X 2.75" PPH, SS	1
166	2378865	CHANNEL DIVIDER, 8' *8 FT*	1
	2378866	CHANNEL DIVIDER, 10'/12' *10FT* *12FT*	1
	2378867	CHANNEL DIVIDER, 15' *15FT*	1
168	2370252	COVER, BLACK, TALON 3 *8FT RED* *8FT BLUE* *8FT BLACK* *8FT SILVER/BLACK* *10FT RED* *10FT BLUE* *10FT BLACK* *10FT SILVER/BLACK* *10FT SILVER/WHITE* *10FT WHITE* *15FT*	1
	2370253	COVER, WHITE, TALON 3 *8FT SILVER/WHITE* *8FT WHITE* *10FT SILVER/WHITE* *10FT WHITE* *12FT SILVER/WHITE* *12FT WHITE*	1
170	*	TENSIONER-PULLEY-PIN	1
172	*	TENSIONER BLOCK	1
174	2372742	SPRING, PISTON	1
176	2373201	TENSIONER STOP	1
178	*	#8-16 X 3/4 PLASTITE SCREW, SS	2
180	*	SCREW-1/4-20 X 1/2" MCH SS	2
182	2371765	PULLEY SPACER, SHORT	3
184	2372660	PIN, PULLEY-LONG, TALON2	1
186	*	LG IDLER PULLEY W BUSHING	3
190	*	SCREW-1/4-20 X 2" PPH SS/REI	1
192	*	SLIDE-EXTENSION TENSIONER	1
194	*	STOP-EXTENSION TENSIONER	1
196	2383468	SCREW, #4-40 X 5-16" SHCS SS	2
198	2373529	3/8-24 X 1" HHCS, SS	1
200	2372850	TALON STOP BOLT EXTRUSION MACHINED	1
202	2372740	SPRING, GIB TENSION	2
204	2383461	SCREW 8-18 X .437 HI-LO PFH	6
206	2372820	SLIDE GIB-LOWER	3
208	2372827	SLIDE GIB-UPPER FLOATING	1

* This part is included in an assembly and cannot be ordered individually.

▲ Not shown on Parts Diagram.



PARTS DIAGRAM & PARTS LIST



Item	Part #	Description	Quantity
210	2376470	DEBRIS SHIELD, BASE	1
212	2378601	STAINLESS POP RIVET, 1/8"	3
214	2376833	DECAL, BT TALON LOGO *8FT RED* *8FT BLUE* *8FT BLACK* *8FT SILVER/BLACK* *8FT SILVER/WHITE* *10FT RED* *10FT BLUE* *10FT BLACK* *10FT SILVER/BLACK* *10FT SILVER/WHITE* *12FT RED* *12FT BLUE* *12FT BLACK* *12FT SILVER/BLACK* *12FT SILVER/WHITE* *15FT BLACK* *15FT SILVER/BLACK*	1
	2376834	DECAL, BT TALON LOGO-WHITE *8FT WHITE* *10FT WHITE* *12FT WHITE*	1
216	2376835	DECAL, BT TALON 8 MK *8FT RED* *8FT BLUE* *8FT BLACK* *8FT SILVER/BLACK* *8FT SILVER/WHITE*	1
	2376836	DECAL, BT TALON 8 MK-WHITE *8FT WHITE*	1
	2376837	DECAL, BT TALON 10/12 MK *10FT RED* *10FT BLUE* *10FT BLACK* *10FT SILVER/BLACK* *10FT SILVER/WHITE* *12FT RED* *12FT BLUE* *12FT BLACK* *12FT SILVER/BLACK* *12FT SILVER/WHITE*	1
	2376838	DECAL, BT TALON 10/12 MK-WH *10FT WHITE* *12FT WHITE*	1
	2376839	DECAL, BT TALON 15 MK *15FT BLACK* *15FT SILVER/BLACK*	1
218	2372930	CORD RETAINER	2
220	2371758	3/8 HD FLAT WASHER, SS	1
222	3391706	WASHER LOCK - 3/8"	1
224	2373138	3/8-24 NYLOK NUT, SS	1
226	✖	SPRING, PISTON	2
228	2383474	SCREW-#8-16 X 1/2",PFH,SS,PLST	4
230	✖	PIN-EXTENSION TENSIONER	1
232	2371723	WASHER, POLYURETHANE 3/8"	2
234	2378758	CHANNEL COVER, 15'	2
	2378757	CHANNEL COVER, 11/12'	2
	2378756	CHANNEL COVER, 8'	2
236	✖	CTRL BOARD ASM, LED, TALON 3	1
238	2375559 ▲	LABEL, TALON BRKT TORQUE WARN.	1
240	2298800	LOOM-WIRE, 1/4 X 4"	1
246	2371780	SPACER #8 X .188	2

✖ This part is included in an assembly and cannot be ordered individually.

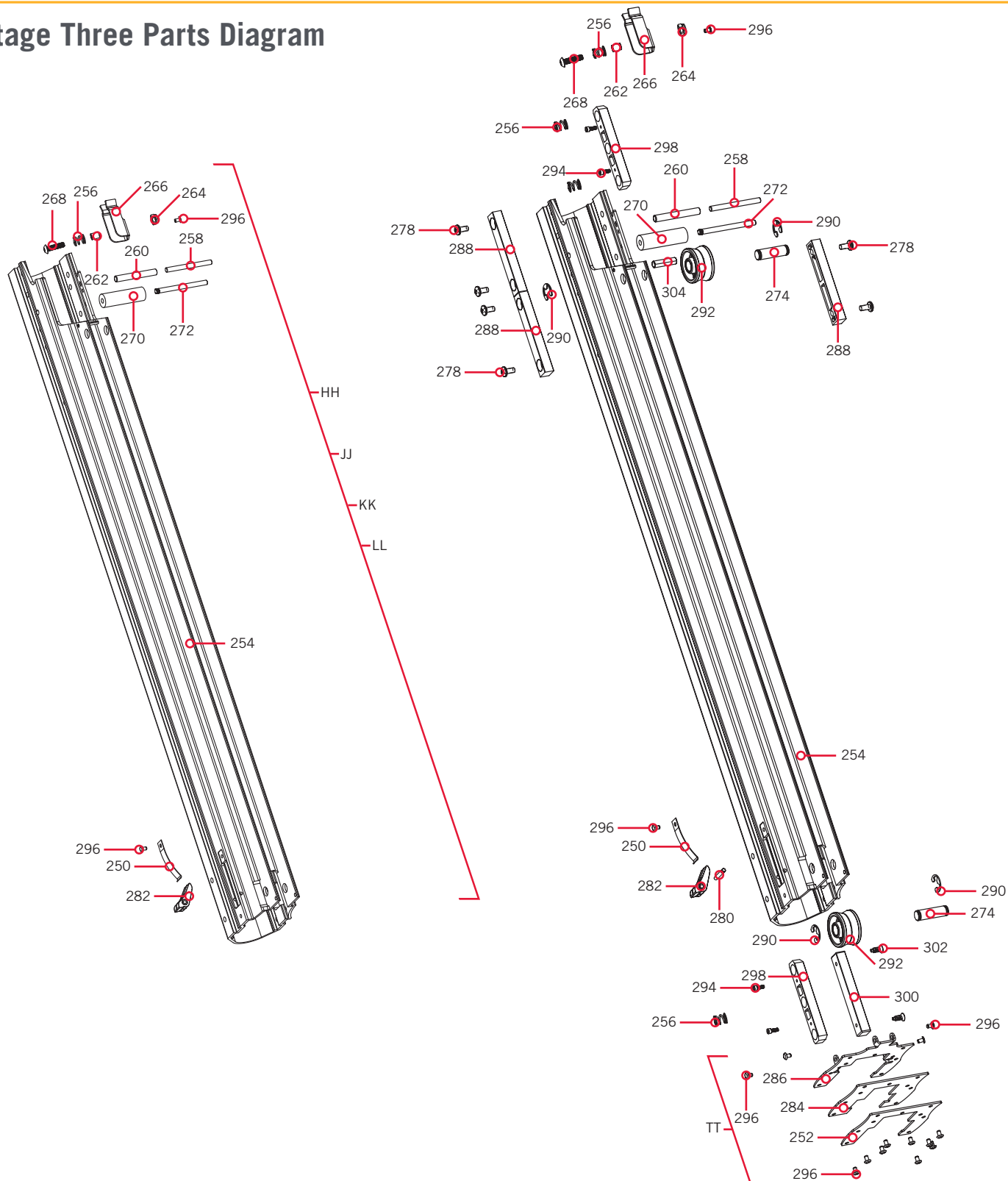
▲ Not shown on Parts Diagram.



PARTS DIAGRAM & PARTS LIST

TALON STAGE THREE

Stage Three Parts Diagram



PARTS DIAGRAM & PARTS LIST

Stage Three Parts List

Assembly	Part #	Description	Quantity
HH	2778091	THIRD STAGE EXTRS. 8' RPLC KIT	1
JJ	2778092	THIRD STAGE EXTRS.10' RPLC KIT	1
KK	2778093	THIRD STAGE EXTRS.12' RPLC KIT	1
LL	2778094	THIRD STAGE EXTRS.15' RPLC KIT	1
TT	2884665	WIPER, RIVET KIT, 2ND STAGE BT	1
Item	Part #	Description	Quantity
250	2372748	SPRING, LATCH STAGE 3 TALON	1
252	✱	WIPER RETAINER	1
254	2378091	THIRD STAGE MACHINED 8', TALON 3 *8FT*	1
	2378092	THIRD STAGE MACHINED 10', TALON 3 *10FT*	1
	2378093	THIRD STAGE MACHINED 12', TALON 3 *12FT*	1
	2378094	THIRD STAGE MACHINED 15', TALON 3 *15FT*	1
256	2372740	SPRING, GIB TENSION	2
258	2372669	PIN-DOWEL, 3RD STAGE SUPPORT	1
260	2372668	3RD STAGE SUPPORT PIN	1
262	2371781	SPACER, LATCH SS	1
264	2333101	#10-24 NYLOCK NUT, SS	1
266	2377220	CLIP, 3RD STAGE	1
268	2383469	SCREW-#10-24 X 3/4 SS, BHCS	1
270	2375418	2ND STAGE INSULATOR, 1/4" STOP PIN, TALON2	1
272	2372659	PIN-DOWEL 3/16" X 2.5" SS, TALON2	1
274	2372316	SHAFT, IDLER	2
278	2323409	SCREW-#10-24 X 3/8 PPH MACH SS	6
280	2372653	PIN, KNURLED - 1/8"	1
282	2377201	LATCH, THIRD STAGE MOLDED	1
284	✱	WIPER 2ND STAGE	1
286	✱	DEBRIS SHIELD, 2ND STAGE WIPER	1
288	2372828	SLIDE GIB-UPPER	3
290	2370832	C-CLIP, 3/8 LOW CLEARANCE - SS	4
292	2992365	SM IDLER PULLEY W BUSHING	2
294	2383468	SCREW, #4-40 X 5-16" SHCS SS	4
296	2378601	STAINLESS POP RIVET, 1/8"	15
298	2372827	SLIDE GIB-UPPER FLOATING	2
300	2372820	SLIDE GIB-LOWER	1
302	2383461	SCREW 8-18 X .437 HI-LO PFH	2
304	2372643	PIN-SPRING, 1/8 X 1, SS	1

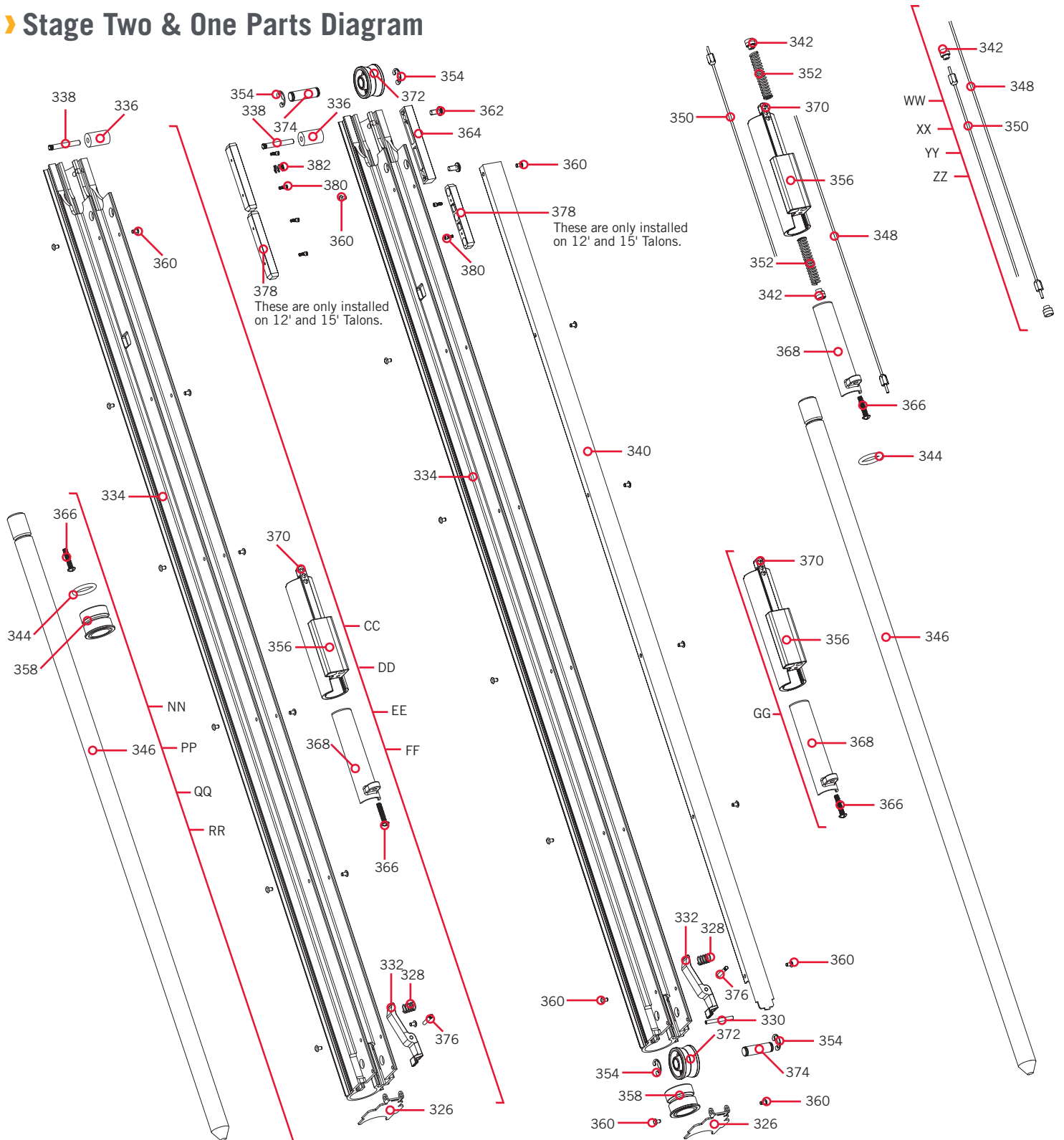
✱ This part is included in an assembly and cannot be ordered individually.

▲ Not shown on Parts Diagram.

PARTS DIAGRAM & PARTS LIST

TALON STAGE TWO AND ONE

Stage Two & One Parts Diagram



PARTS DIAGRAM & PARTS LIST

› Stage Two and One Parts List

Assembly	Part #	Description	Quantity
CC	2778056	SECOND STAGE EXTRS. 15' RPLC KIT	1
DD	2778057	SECOND STAGE EXTRS. 8' RPLC KIT	1
EE	2778058	SECOND STAGE EXTRS. 10' RPLC KIT	1
FF	2778059	SECOND STAGE EXTRS. 12' RPLC KIT	1
GG	2991545	TALON 3 PISTON ASSEMBLY	1
NN	2882028	SPIKE REPLACEMENT KIT, 15'	1
PP	2882007	SPIKE REPLACEMENT KIT, 10'	1
QQ	2882008	SPIKE RPLC KIT 12' / 2-STG 8'	1
RR	2882027	SPIKE REPLACEMENT KIT 8'	1
WW	2887520	CABLE RPLCMNT KIT 8' TALON BT	1
XX	2887522	CABLE RPLCMNT KIT 10' TALON BT	1
YY	2887524	CABLE RPLCMNT KIT 12' TALON BT	1
ZZ	2887526	CABLE RPLCMNT KIT 15' TALON BT	1
Item	Part #	Description	Quantity
326	2376440	2ND STAGE DEBRIS SHIELD	1
328	2372743	SPRING, .36 X .5	1
330	2372654	PIN, SPRING 1/8 X 1-1/4, SS	1
332	2377205	LATCH SECOND STAGE	1
334	2378057	SECOND STAGE, MACHINED 8', TALON 3	1
	2378058	SECOND STAGE, MACHINED 10', TALON 3	1
	2378059	SECOND STAGE, MACHINED 12', TALON 3	1
	2378056	SECOND STAGE, MACHINED 15', TALON 3	1
336	2375416	INSULATOR, 1/4" STOP PIN	1
338	2372645	3/16" X 1.5" KNURLED PIN, SS	1
340	2378826	DEBRIS CHANNEL, 8' *8FT*	1
	2378823	DEBRIS CHANNEL, 10' *10FT*	1
	2378824	DEBRIS CHANNEL, 12' *12FT*	1
	2378827	DEBRIS CHANNEL, 15' *15FT*	1
342	2370850	CABLE KEEPER	2
344	2374632	O-RING, 3/4" ID X .125 *8FT* *10FT* *12FT*	1
346	✘	SPIKE, .75" X 56.4" (15') *15FT*	1
	✘	SPIKE, .75" X 56.4" (12') *12FT*	1
	✘	SPIKE, .75" X 48.4" (10') *10FT*	1
	✘	SPIKE, .75" X 40.4", (8') *8FT*	1

✘ This part is included in an assembly and cannot be ordered individually.

▲ Not shown on Parts Diagram.

PARTS DIAGRAM & PARTS LIST



Item	Part #	Description	Quantity
348	✖	CABLE ASM TLN3, EXT 15' *15FT*	1
	✖	CABLE ASM TLN3, EXT 12' *12FT*	1
	✖	CABLE ASM TLN3, EXT 10' *10FT*	1
	✖	CABLE ASM TLN3, EXT 8' *8FT*	1
350	✖	CABLE ASM TLN3, RET 15' *15FT*	1
	✖	CABLE ASY, 2MM, RETRACT 10/12 *10FT* *12FT*	1
	✖	CABLE ASY, 2MM, RETRACT 8' (SUB) *8FT*	1
352	2372742	SPRING, PISTON	2
354	2370832	C-CLIP, 3/8 LOW CLEARANCE - SS	4
356	2371545	PISTON-TALON 3	1
358	2778825	SPIKE ISOLATOR	1
360	2378601	STAINLESS POP RIVET, 1/8"	12
362	2323409	SCREW-#10-24 X 3/8 PPH MACH SS	2
364	2372828	SLIDE GIB-UPPER	1
366	2383477	#8-16 X 7/8" PLASTITE SCREW, SS	1
368	2372932	RETAINER-STAKE, TALON 3	1
370	✖	.187 X .125 MAGNET	3
372	2992365	SM IDLER PULLEY W BUSHING	2
374	2372316	SHAFT, IDLER	2
376	2372653	PIN, KNURLED - 1/8"	1
378	2372827	SLIDE GIB-UPPER FLOATING	3
380	2383468	SCREW, #4-40 X 5-16" SHCS SS	6
382	2322740	SPRING, GIB TENSION	1

✖ This part is included in an assembly and cannot be ordered individually.

▲ Not shown on Parts Diagram.



NOTES



A large area containing multiple horizontal lines for writing notes.



RECOMMENDED ACCESSORIES

ON-BOARD & PORTABLE BATTERY CHARGERS

Stop buying new batteries and start taking care of the ones you've got. Many chargers can actually damage your battery over time – creating shorter run times and shorter overall life. Digitally controlled Minn Kota chargers are designed to provide the fastest charge that protect and extend battery life.



MK212PC



MK210D



MK110PD

TALON ACCESSORIES

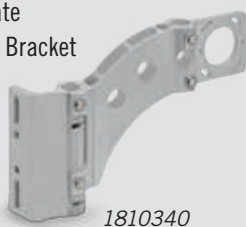
UNIVERSAL MODULAR ADAPTER BRACKETS

It's easy to choose your bracket, easy to install it and pretty much impossible for anything to stop it. Talon's Universal Modular Adapter Brackets are built stronger than they have to be, and their innovative modular design lets you put Talon in just the right position on your boat.

Unparalleled Strength

We built Talon with uncompromising power. And we built the brackets the exact same way. Made with extruded aluminum and reinforced with rugged construction, our brackets hold Talon steady whether you're trailering or tearing through heavy chop.

Jack Plate Adapter Bracket



1810340

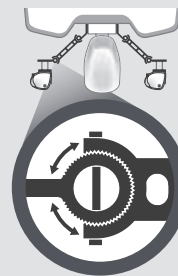
Sandwich-Style Adapter Bracket



1810244
1810303

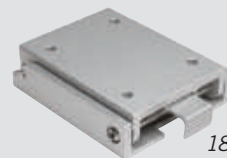
Universal Modular Design

Two brackets. Any transom. The universal design fits any situation, and the brackets can be adjusted and tweaked to the perfect orientation. Two pivot points let you adjust Talon to the perfect orientation (based on your transom style, outboard location and other factors). Once it's in position, interlocking teeth clamp down to lock it into place.



TALON TILT BRACKET

This marine-grade, anodized aluminum tilt bracket accommodates for low-clearance areas and boat storage. Features adjustable deck support for added stability while tilting.



1810222





TALON

▼ SHALLOW WATER ANCHOR ▼

Manuel du propriétaire

PRÉSENTATION

MERCI

Merci d'avoir acheté l'ancre pour eaux peu profondes Talon Minn Kota^{MD}. Cette ancre révolutionnaire pour eaux peu profondes utilise une technologie de pointe pour livrer des niveaux inégalés de contrôle du bateau. Des fonctionnalités intuitives et un contrôle sans fil permettent au Talon de positionner votre bateau avec précision et d'améliorer la présentation de votre appât. Le Talon tient le bateau en place afin que vous puissiez vous concentrer sur la pêche.

ENREGISTREMENT

N'oubliez pas de conserver votre reçu et d'enregistrer immédiatement votre Talon. Pour bénéficier de tous les avantages de la garantie de votre produit, veuillez remplir et envoyer la carte d'enregistrement par la poste; vous pouvez aussi enregistrer votre produit en ligne à minnkotamotors.com.

NUMÉRO DE SÉRIE

Le numéro de série à 11 caractères Minn Kota est très important. Cela permet de déterminer le modèle spécifique et l'année de fabrication. Lorsque vous contactez le service à la clientèle ou que vous enregistrez votre article, vous aurez besoin du numéro de série de votre article. Nous vous suggérons d'écrire le numéro de série afin qu'il soit disponible à des fins de référence future.

AVIS : Le numéro de série de votre Talon se trouve sous le boîtier du moteur.



INFORMATIONS SUR LE TALON (À des fins de référence par le client seulement)

Modèle : _____

Serial Number: _____

Numéro de série : _____

Magasin où l'achat a été effectué : _____

AVIS : Ne pas retourner l'article Minn Kota au détaillant. Le détaillant n'est pas autorisé à réparer ou à remplacer cet appareil. Vous pouvez obtenir un service en appelant Minn Kota au 1-800-227-6433; en retournant votre Talon au Centre de service de la manufacture Minn Kota ainsi qu'en envoyant ou en emmenant votre produit à un centre de service agréé de Minn Kota. Une liste de centres de service agréés est disponible sur notre site Web, à minnkotamotors.com. Pour obtenir un service au titre de la garantie, y compris toutes les options susmentionnées, veuillez inclure la preuve d'achat, le numéro de série et la date de l'achat.

TABLE DES MATIÈRES

CONSIGNES DE SÉCURITÉ	90
GARANTIE	91
CONNAISSEZ VOTRE BATEAU	92
CARACTÉRISTIQUES	93
INSTALLATION	94
Installation du Talon	94
Installation de l'écran de déflexion d'eau.....	101
Installation du câble d'alimentation électrique et du fil de l'alarme de notification de déploiement	103
Vérification de l'installation	106
INSTALLATION DES BATTERIES ET DU CÂBLAGE	107
Gréement de l'embarcation et installation du produit	107
Tableau des dimensions de gabarit des conducteurs et disjoncteurs.....	107
Comment sélectionner une batterie adéquate	108
Connexion des batteries	108
DIAGRAMME DE CÂBLAGE	110
UTILISATION DU TALON	111
Caractéristiques du Talon	111
DEL d'indication de la profondeur.....	112
Fonctions de mode	113
Contrôle du Talon avec le panneau indicateur	114
Contrôle du Talon avec la télécommande	119
APPLICATION TALON	124
Écran d'accueil de l'application Talon	124
Commencer	128
iOS	131
Android	137
SERVICE ET ENTRETIEN	141
Remplacement de la pile de la télécommande.....	141
Couplage d'une télécommande à un seul Talon	143
Couplage de deux Talon et programmation de l'emplacement de montage.....	144
Couplage d'une télécommande à deux Talon.....	145
Élimination de télécommandes ou d'appareils couplés du Talon	145
Élimination de Talon couplés de la télécommande	146
Rétraction manuelle du Talon	146
Alarme de notification de rétraction	147
Réinitialisation du fusible	148
Remplacement du pieu.....	148
Entretien général.....	152
Dépannage	153
Pour d'autres services de dépannage et de réparation	154
DÉCLARATIONS DE CONFORMITÉ	155
SCHÉMA DES PIÈCES ET LISTE DES PIÈCES	157
REMARQUES	171

CONSIGNES DE SÉCURITÉ

Veillez lire attentivement le manuel de l'utilisateur. Suivre toutes les instructions et respecter toutes les consignes de sécurité. L'utilisation de cet article n'est autorisée que pour les personnes qui ont lu et compris ces instructions. Les mineurs peuvent utiliser ce moteur uniquement sous la supervision d'un adulte.

AVERTISSEMENT

Vous seul êtes responsable de la navigation sécuritaire et prudente de votre bateau ou vaisseau et de vos Talons. Ce produit ne vous exonère pas de la responsabilité de naviguer de façon sécuritaire avec votre bateau. Il peut être dangereux d'utiliser votre Talon dans des conditions d'eaux agitées ou turbulentes, comme les courants rapides ou les conditions environnementales changeantes. Ne pas déployer le Talon en ces conditions, surtout lorsque la topographie subaquatique est inconnue. Le défaut de suivre cet avertissement pourrait entraîner un fonctionnement inattendu ou un défaut de fonctionnement du Talon ou de l'ancre, et pourrait entraîner la mort ou une blessure grave. Vous devez éviter les dangers à l'ancrage et toujours assurer une surveillance permanente afin que vous puissiez conserver le contrôle approprié de votre bateau. Vous devez toujours être prêt à reprendre le contrôle manuel de votre bateau. Apprenez à utiliser votre Minn Kota dans une zone exempte de dangers et d'obstacles.

AVERTISSEMENT

Le Talon doit être déconnecté de la source d'alimentation lorsqu'il n'est pas utilisé ou lorsqu'il est hors de l'eau. Au moment de brancher les câbles d'alimentation du Talon à la batterie ou l'interrupteur, veiller à ce qu'ils ne soient pas entortillés ni exposés au frottement, puis les placer de telle manière que personne ne risque de trébucher. Avant d'utiliser le Talon, s'assurer que l'isolant des câbles d'alimentation n'est pas endommagé. Ne pas tenir compte de ces mesures de sécurité peut entraîner des courts-circuits avec les batteries ou le produit. Toujours déconnecter le Talon des batteries avant le nettoyage ou la vérification. En cas d'opération imprévue, retirez les câbles d'alimentation à la batterie. Éviter de submerger le produit entier, puisque l'eau peut s'infiltrer et causer des dommages importants au produit. Ces dommages ne seront pas couverts par la garantie. Le niveau de pression sonore constant du Talon au moment de l'utilisation est inférieur à 70 dB (A). Le niveau de vibration général ne dépasse pas $8,2 \text{ pi/s}^2$ ($2,5 \text{ m/s}^2$).

AVERTISSEMENT

Veillez à ce que ni vous ni d'autres personnes ne vous approchiez trop près du pieu du Talon, que ce soit seulement avec une partie du corps ou des objets. Le Talon est puissant et pourrait provoquer des situations périlleuses ou des blessures, pour vous ou les autres. Lorsque le Talon est en marche, être alerte pour les personnes qui nagent ou les objets flottants. Les personnes dont la capacité à faire fonctionner le Talon est affaiblie par l'alcool, la drogue, les médicaments ou d'autres substances ne sont pas autorisées à utiliser ce produit.

ATTENTION

Ne jamais laisser le bateau sans surveillance avec le Talon comme seule ancre. Le Talon n'est pas destiné à fournir l'ancrage principal.

AVERTISSEMENT

On recommande d'utiliser exclusivement les accessoires approuvés par Johnson Outdoors avec votre Talon. L'utilisation d'accessoires non approuvés, y compris pour monter ou contrôler votre produit, pourrait causer des dommages, un fonctionnement inattendu et des blessures. Veiller à utiliser le produit ainsi que les accessoires approuvés, y compris les télécommandes, en toute sécurité et de la manière indiquée pour éviter un fonctionnement accidentel ou inattendu. Ne pas retirer les pièces installées en usine, y compris les couvercles, boîtiers et protections du moteur et des électroniques et des accessoires. Le défaut de respecter cet avertissement pourrait affecter la garantie.

GARANTIE

GARANTIE LIMITÉE MINN KOTA SUR LES ANCRÉS POUR EAUX PEU PROFONDES TALON

Johnson Outdoors Marine Electronics, Inc. (« JOME ») offre la garantie limitée suivante uniquement à l'acheteur au détail initial. La garantie n'est pas transférable.

Garantie limitée de cinq ans de Minn Kota

JOME garantit à l'acheteur au détail initial seulement que les pièces mécaniques et électriques de l'ancre pour eau peu profonde Minn Kota Talon seront exemptes de défauts significatifs de fabrication et de matériaux qui pourraient apparaître au cours des cinq (5) ans suivant la date d'achat. JOME se réserve le droit de réparer ou de remplacer, au choix et gratuitement, toute pièce mécanique ou électrique pouvant s'avérer défectueuse pendant la durée de la présente garantie. Cette réparation ou ce remplacement est l'unique et exclusive responsabilité de JOME et constitue le seul recours de l'acheteur pour tout manquement à la présente garantie. Le pieu Talon est couvert par une garantie limitée de cinq ans (plus les pièces et la main-d'œuvre d'installation). Après la garantie limitée de cinq ans, le pieu sera couvert par la garantie à vie limitée (pièces seulement).

Garantie à vie limitée de Minn Kota sur le pieu

JOME garantit uniquement à l'acheteur au détail initial seulement que le pieu de son ancre pour eaux peu profondes Minn Kota sera exempt de défauts de fabrication et de main-d'œuvre pendant toute la vie de l'acheteur initial. JOME fournira, gratuitement, un pieu neuf pour remplacer tout pieu pouvant s'avérer défectueux pendant la durée de la présente garantie. Fournir un pieu neuf sera la seule et exclusive responsabilité de JOME et le seul et unique recours de l'acheteur pour tout manquement à la présente garantie; et l'acheteur sera responsable de l'installation ou du coût de la main-d'œuvre pour l'installation de tout pieu neuf fourni par JOME.

Exclusions et limites

La présente garantie limitée ne s'applique pas aux produits qui ont été utilisés à des fins commerciales ou locatives. Cette garantie ne couvre pas l'usure normale, les imperfections qui n'affectent pas le fonctionnement du moteur, ni les dommages causés par les accidents, l'abus, l'altération, la modification, les dommages durant le transport, les désastres naturels, la négligence de l'utilisateur, l'utilisation abusive, un soin ou un entretien inadéquat. **LES DOMMAGES CAUSÉS PAR L'UTILISATION DE PIÈCES DE REMPLACEMENT NON CONFORMES AUX SPÉCIFICATIONS DE CONCEPTION DES PIÈCES ORIGINALES NE SONT PAS COUVERTS PAR LA PRÉSENTE GARANTIE LIMITÉE.** Le coût de l'entretien normal ou des pièces de rechange qui ne contreviennent pas à la garantie limitée incombe à l'acheteur. Avant utilisation, l'acheteur doit déterminer si le produit convient à l'emploi prévu et assume tous les risques et responsabilités connexes. Toute assistance fournie par JOME à l'acheteur ou au nom de ce dernier hors du cadre des modalités, des restrictions et des exclusions de la présente garantie limitée ne constitue pas une renonciation à l'égard de telles modalités, restrictions ou exclusions et une telle assistance n'aura pas pour effet de prolonger ni de restaurer la garantie. JOME ne remboursera aucune dépense encourue par l'acheteur dans le cadre de la réparation, de la correction ou du remplacement de pièces ou de produits défectueux, à l'exception des dépenses engagées sur consentement écrit préalable de JOME. **LA RESPONSABILITÉ GLOBALE DE JOME À L'ÉGARD DES PRODUITS COUVERTS PAR LA GARANTIE EST LIMITÉE À UN MONTANT ÉQUIVALENT AU PRIX D'ACHAT PAYÉ POUR LE PRODUIT EN QUESTION.**

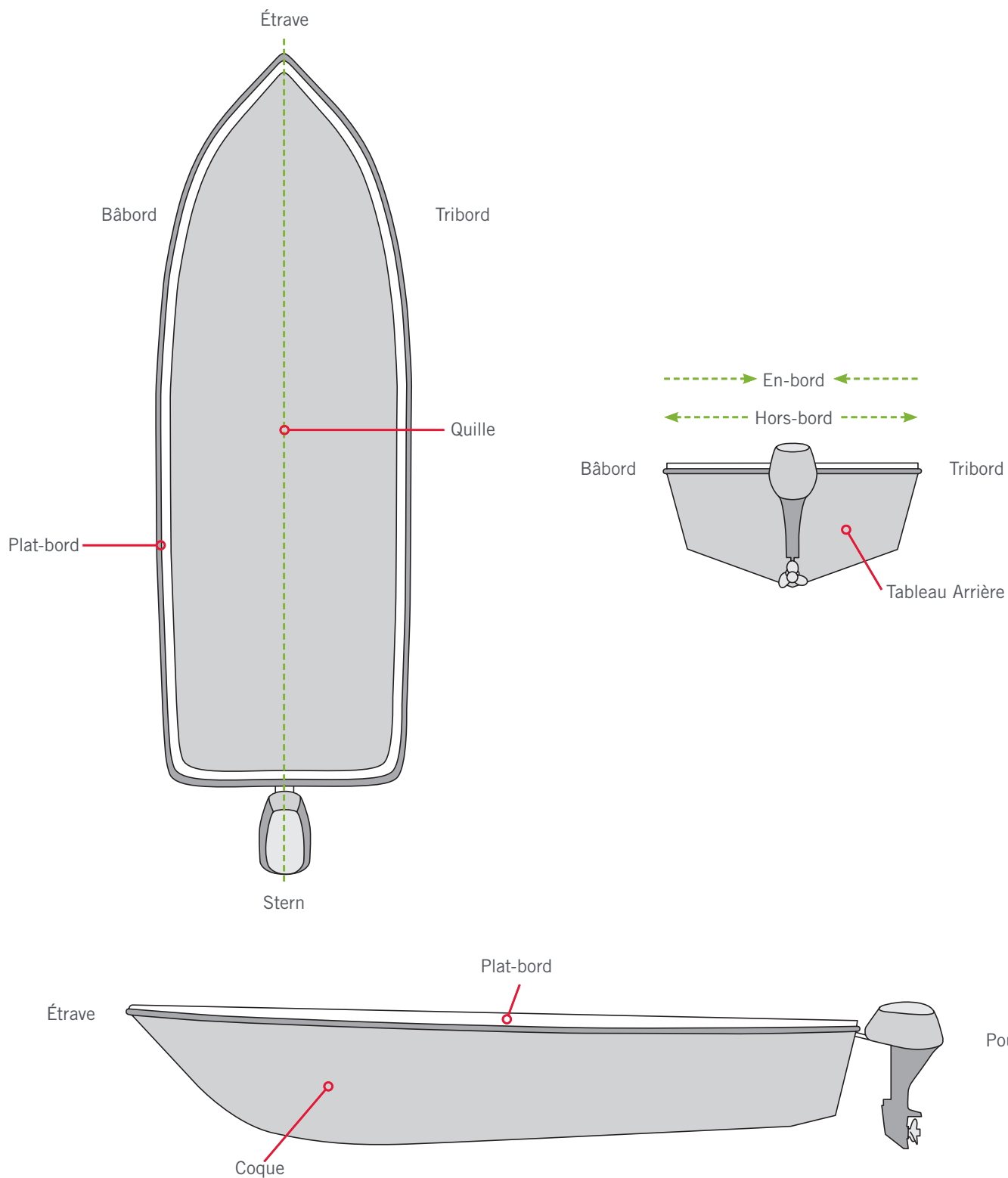
Comment obtenir un service en vertu de la garantie

Pour obtenir un service en vertu de la garantie aux États-Unis, il faut présenter le produit soupçonné être défectueux et la preuve d'achat d'origine (y compris la date d'achat) dans un centre de service Minn Kota agréé ou au centre de service de l'usine Minn Kota à Mankato, au Minnesota. Tous les frais d'appels de service, de transport ou d'expédition à destination, ou à partir du centre de service agréé ou de l'usine de Minn Kota, de main-d'œuvre pour transporter, retirer, réinstaller ou regréer les articles retirés pour le service de garantie ou de tout autre élément similaire sont la seule et unique responsabilité de l'acheteur. Les articles achetés à l'extérieur des États-Unis doivent être retournés, port payé avec la preuve d'achat (y compris la date d'achat et le numéro de série) à tout centre de service agréé de Minn Kota dans le pays de l'achat. Le service au titre de la garantie peut être obtenu en communiquant avec le centre de service agréé de Minn Kota ou l'usine au +1 (800) 227-6433 ou par courriel à l'adresse suivante service@minnkotamotors.com. Les produits réparés ou remplacés seront garantis pour la durée restante de la période de garantie initiale [ou pendant 90 jours à compter de la date de réparation ou de remplacement, la période la plus longue étant retenue]. Tout produit retourné aux fins de service en vertu de la garantie qui, selon JOME, n'est pas couvert par la garantie limitée ou n'y contrevient pas sera facturé pour les services rendus au taux horaire de main-d'œuvre affiché en vigueur pour une facturation minimale d'une heure.

AVIS : Ne retournez pas l'article Minn Kota au détaillant. Le détaillant n'est pas autorisé à le réparer ou à le remplacer.

II N'Y A AUCUNE GARANTIE EXPRESSE AUTRE QUE LES PRÉSENTES GARANTIES LIMITÉES. AUCUNE GARANTIE IMPLICITE, Y COMPRIS TOUTE GARANTIE IMPLICITE DE QUALITÉ MARCHANDE OU D'ADÉQUATION À UN USAGE PARTICULIER, NE SE PROLONGERA AU-DELÀ DE LA DURÉE DE LA PRÉSENTE GARANTIE LIMITÉE EXPRESSE. JOME NE POURRA EN AUCUNE FAÇON ÊTRE TENUE RESPONSABLE DES DOMMAGES PUNITIFS, INDIRECTS, ACCESSOIRES, CONSÉCUTIFS OU PARTICULIERS. Sans limiter la portée de ce qui précède, JOME décline toute responsabilité en cas de perte d'utilisation du produit, perte de temps, d'inconvénient et d'autre dommage. COMMENT LA LOI ÉTATIQUE S'APPLIQUE-T-ELLE? Certains États ne permettent pas de limites sur la durée d'une garantie implicite ou l'exclusion ou la limitation des dommages accessoires ou indirects, donc, les limitations ou exclusions ci-dessus peuvent ne pas s'appliquer à vous. La présente garantie vous donne des droits légaux spécifiques et vous pouvez également bénéficier d'autres droits qui varient d'un État à l'autre.

CONNAISSEZ VOTRE BATEAU



CARACTÉRISTIQUES



AVIS : Les spécifications peuvent faire l'objet de modifications sans préavis. Ce schéma est fourni à des fins de référence seulement et peut différer de votre Talon réel.

INSTALLATION

INSTALLATION DU TALON

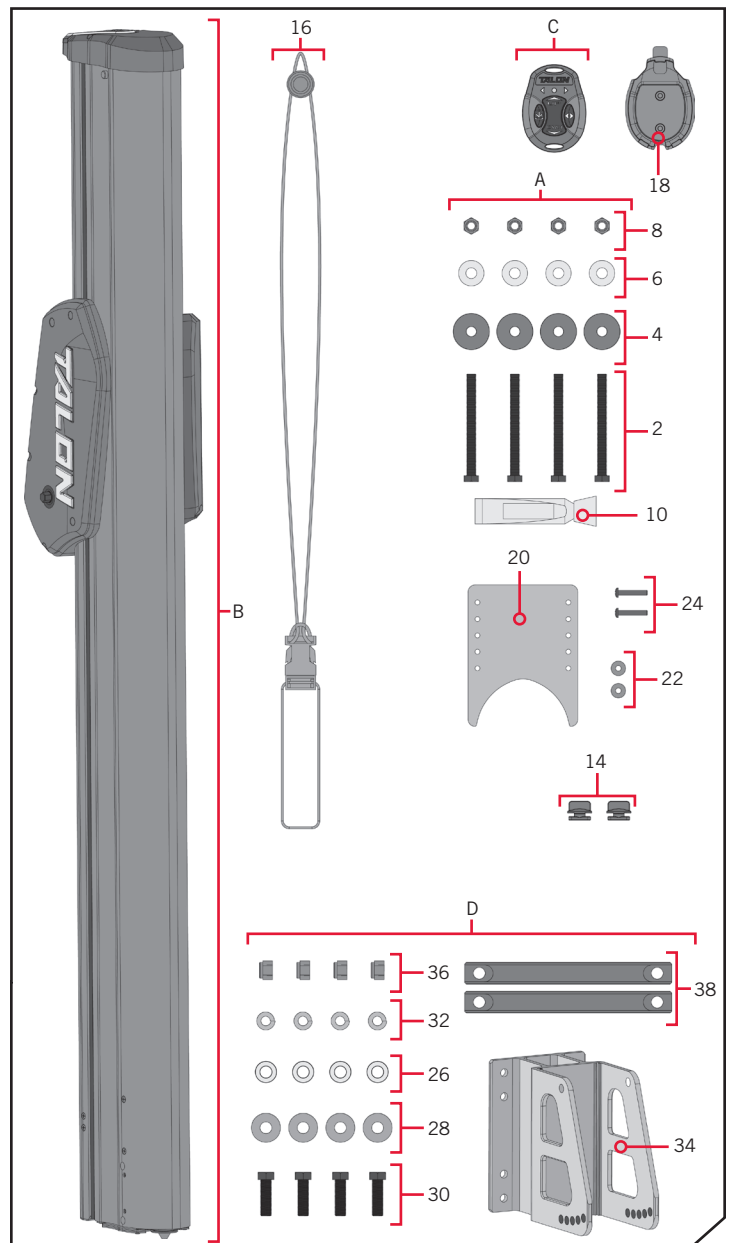
Votre nouveau Talon est livré avec toute la quincaillerie qu'il vous faut pour l'installer directement sur le tableau arrière de votre bateau. Si votre tableau arrière est de forme irrégulière qui ne peut accepter un montage direct, ou si vous préférez monter votre Talon avec un support adaptateur pour en faciliter le montage ou le retrait, veuillez visiter minnkotamotors.com pour des précisions au sujet de nos supports adaptateurs Talon. Pour l'installation avec un support adaptateur Talon, consultez les directives d'installation fournies avec le support. Pour des supports adaptateurs Talon compatibles, pour trouver le détaillant le plus près ou pour d'autre soutien du produit, veuillez visiter minnkotamotors.com. Pour installer le Talon directement sur le bateau, veuillez suivre les directives fournies dans ces instructions d'installation. Avant de commencer, veuillez examiner la liste des pièces et des outils nécessaires à l'installation.

LISTE DE PIÈCES D'INSTALLATION

Article/Assemblage	N° de Pièce	Description	Qté
A Articles 2-12	2994903	TALON HARDWARE BAG ASSY	1
2	2373525	BOLT-5/16-18 X 3 1/2" HHCS SS	4
4	2371749	WASHER-FLAT 5/16 SS	4
6	2371752	WASHER-FENDER, 5/16, SS	4
8	2223100	NUT-5/16-18 NYLOCK S/S	4
10	2378608	ANTI SEIZE TUBE, 4CC, TALON	1
12	2014802 ▲	BAG-ZPLCK(4x6)4ML ANTISTATIC	1
B	✘	TALON ASSEMBLY	1
14	2372930	CORD RETAINER	2
16	2390801	LANYARD, REMOTE	1
C	2994150	NEW BT TRANSMITTER ASSY	1
18	2371829	BRACKET, RMT DASH MNT HLDR	1
20	2376447	WATER SHIELD, DEFLECTOR - TALON 2	1
22	2371754	#8 WASHER, 1/2" OD, SS	2
24	2263434	#8-18 X 1 SS PPH	2
D Articles 26-38	2778725	MOUNTING BRACKET ASSEMBLY	1
26	2371758	WASHER-3/8 HD FLAT SS	4
28	2378716	GUARD, EXTRUSION BRACKET	4
30	2383459	SCREW-3/8-24 X 1.25 HHCS SS	4
32	3391706	WASHER-LOCK 3/8"	4
34	2378725	BRACKET-TILT, MACH (SUB)	1
36	2373138	3/8-24 NYLON NUT, SS	4
38	2373815	TALON MOUNTING STRAP	2
40	2377170 ▲	MANUAL, TALON BT	1
42	2377171 ▲	MANUAL, INSTALL GUIDE T3	1

✘ Cette pièce est incluse dans un ensemble et ne peut pas être commandée individuellement.

▲ Non visible sur le schéma des pièces.



FACTEURS DE MONTAGE

Minn Kota recommande le montage du Talon directement sur le tableau arrière du bateau avec le support de montage. Votre Talon est livré avec toute la quincaillerie nécessaire pour le monter directement sur le tableau arrière/la poupe. Le Talon peut aussi être monté à l'aide d'une plaque d'adaptation en option, lorsque le montage direct au tableau arrière n'est pas possible ou désiré en raison d'obstructions ou de tableaux arrière à forme irrégulière. Pour de plus amples informations au sujet des supports adaptateurs universels et d'autres accessoires Minn Kota® Talon, veuillez visiter minnkotamotors.com. Lors de l'utilisation d'un support adaptateur pour monter le Talon, veuillez utiliser les instructions incluses avec l'accessoire.

Afin d'utiliser l'installation par montage direct, les conditions suivantes doivent être respectées :

1. Montage sans obstruction : lors de la sélection de l'emplacement de montage avec support de montage du Talon, examiner le bateau afin de s'assurer de ne pas percer une obstruction et que la quincaillerie sera accessible pour l'assemblage.

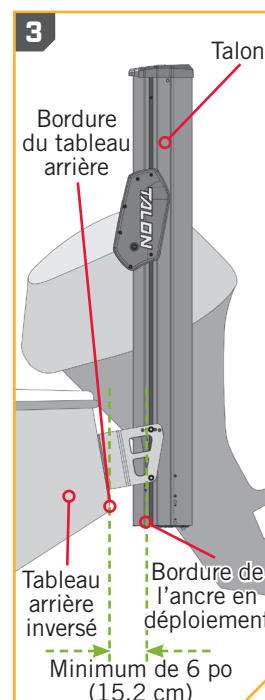
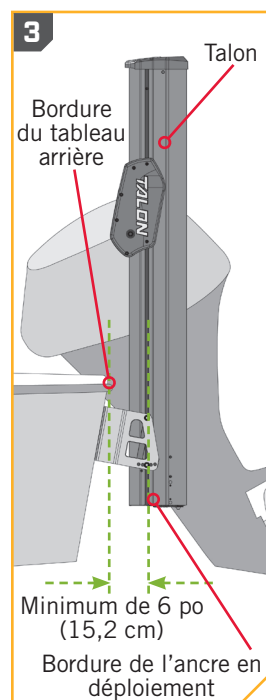
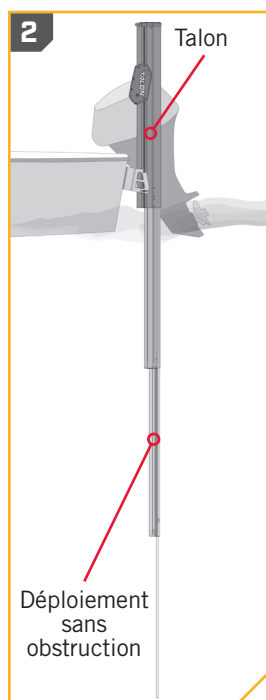
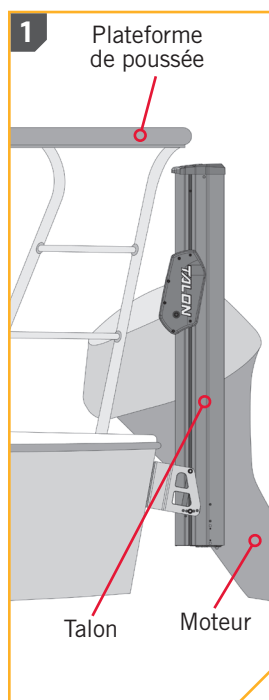
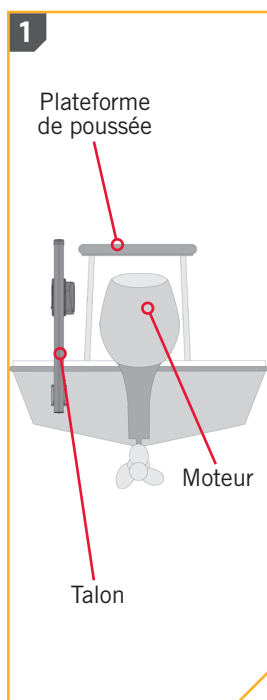
2. Déploiement et rétraction sans obstruction : Talon est conçu pour être monté soit sur le côté bâbord ou tribord du tableau arrière. Talon doit avoir une voie claire, sans obstruction pour le déploiement. S'assurer que l'emplacement proposé permettra le déploiement et la rétraction de l'ancre sans heurter les volets, les plateformes de poussée, les échelles, le moteur ou d'autres obstructions. On devrait aussi tenir compte des méthodes de pêche lors de la sélection de l'emplacement de montage.

3. Dégagement du tableau arrière au Talon : le support de montage Talon inclus avec l'unité permettra un dégagement d'environ 6 po (15,2 cm) entre le tableau arrière et la bordure avant de l'ancre en déploiement. **Lors du montage du support de montage du Talon directement sur le tableau arrière, Minn Kota recommande d'installer le support de montage à l'emplacement le plus haut possible.** Cela donnera le dégagement maximal et la plus grande quantité d'ajustabilité verticale et angulaire.

AVIS : Certains bateaux peuvent être fabriqués avec un tableau arrière à angle inversé. Dans ces cas, le support de montage du Talon peut être monté à l'envers pour compenser l'angle inversé.



Consulter les accessoires disponibles pour votre Talon à minnkotamotors.com.



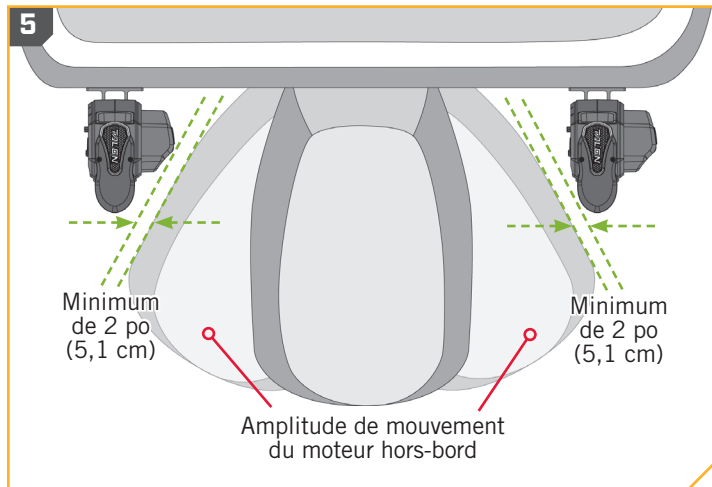
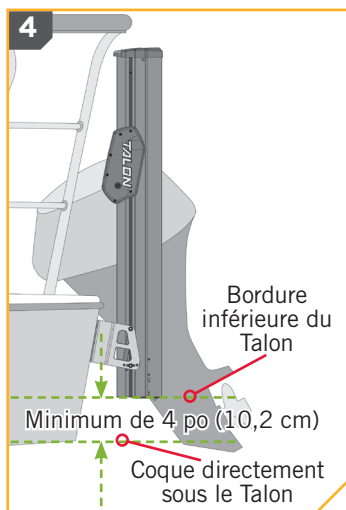
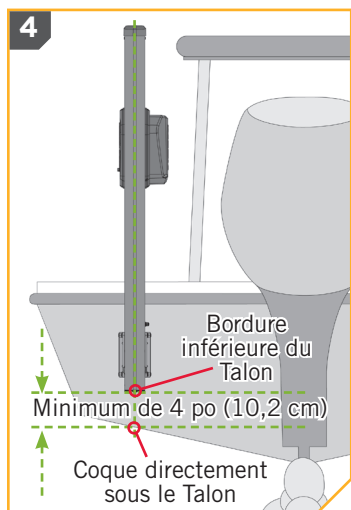
INSTALLATION

4. Dégagement du Talon à la coque : la bordure inférieure du Talon ne devrait jamais être inférieure à 4 po (10,2 cm) au-dessus de la coque, directement sous le Talon afin d'empêcher des conditions de jet d'eau ou de traînée.

5. Dégagement du Talon au moteur : lors de la sélection d'un emplacement de montage, s'assurer qu'il n'y a aucune interférence entre le Talon et le moteur au cours du fonctionnement normal. Lorsque l'emplacement de montage est sélectionné, ajuster la compensation du moteur au maximum vers le haut et le bas, et tourner le moteur complètement vers le côté sélectionné et vers le côté opposé. S'assurer qu'il y a au moins 2 à 3 pouces (5,1 à 7,6 cm) de dégagement de tout point sur le Talon.

AVIS : Le Talon devrait être monté sur tous les bateaux de pêche de façon aussi égale que possible au bas du support de montage du Talon afin d'atténuer les jets d'eau lorsque le bateau circule.

AVIS : Dans certains cas, les fabricants de bateaux ont commencé à fabriquer des tableaux arrière vides sur les bateaux. Nous recommandons d'en discuter avec le détaillant local de bateaux ou le fabricant du marché de l'équipement d'origine (MEO) pour des recommandations de montage.



Si ces conditions ne sont pas respectées, songer à une plaque d'adaptation en option. Il existe plusieurs plaques d'adaptation qui permettent une plus grande ajustabilité du montage et qui permettent de plus grands dégagements pour faire fonctionner le Talon. Veuillez visiter minnkotamotors.com pour en apprendre davantage au sujet de la sélection et l'installation de la plaque d'adaptation.

ATTENTION

Suivre toutes les instructions et respecter toutes les consignes de sécurité. Minn Kota recommande de se faire aider par une deuxième personne pour l'installation. Ne pas suivre les instructions appropriées d'installation et de gréement pourrait entraîner des blessures. Le montage trop bas du Talon peut entraîner trop de traînée du Talon ou du support de montage lors du fonctionnement du bateau. Il est important de monter le Talon selon les recommandations afin d'éviter des conditions de conduite non sécuritaire.

OUTILS ET RESSOURCES NÉCESSAIRES >

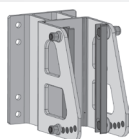
- Perceuse
- Mèche de 5/16 po (7,9 mm)
- Clé polygonale ou à cliquet de 1/2 po (12,7 mm)
- Scellant de qualité marine
- Clé polygonale ou à cliquet de 9/16 po (14,3 mm)
- Attaches de câble
- Ruban à mesurer
- Pincettes
- Clé dynamométrique d'une capacité de 30 pi-lb (40 Nm)
- Crayon ou autre outil de marquage semblable
- Câble d'au moins 12 AWG
- Une deuxième personne pour aider avec l'installation
- Gaine thermorétractible avec adhésif
- Voltmètre

INSTALLATION >

> Installation du Talon

1

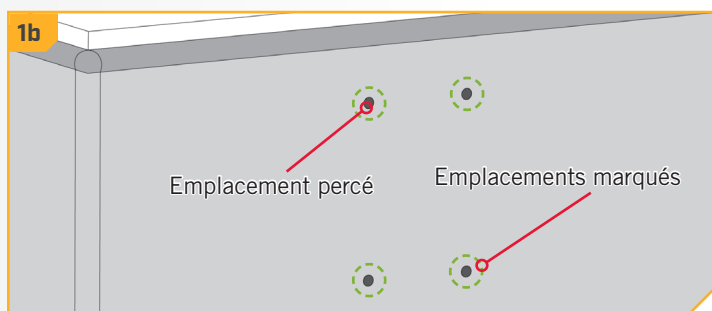
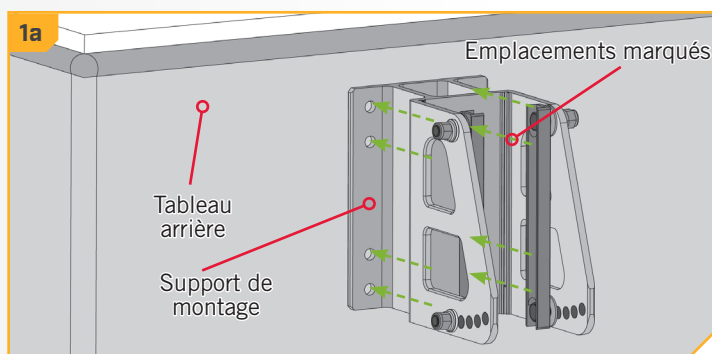
ARTICLE(S) REQUIS



#D x 1

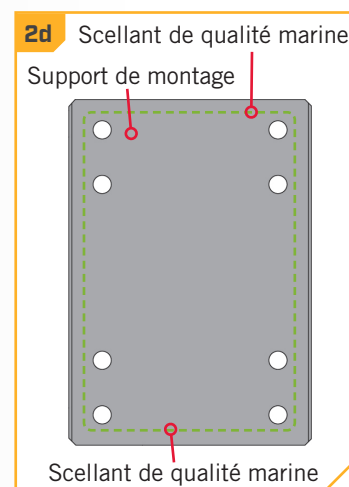
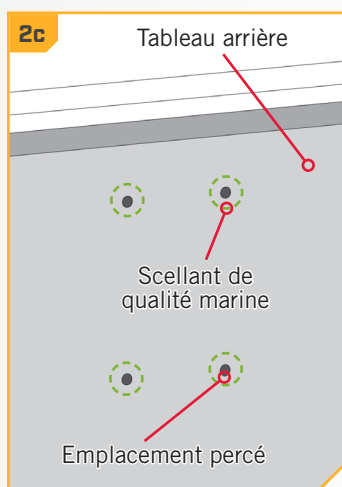
- a. Retirer les facteurs de montage afin de déterminer s'il est acceptable d'effectuer un montage direct du support de montage du Talon. Si acceptable, placer le support de montage (article n° D) à l'emplacement sélectionné et marquer les trous de montage avec un crayon ou un outil de marquage semblable. Les huit trous de montage peuvent être utilisés avec au moins un boulon dans chaque coin du support, ou deux de chaque côté.
- b. Vérifier que l'emplacement de montage est dégagé pour percer les trous, ensuite utiliser une perceuse avec une mèche de 5/16 po (7,9 mm) pour percer le tableau arrière/la poupe du bateau aux emplacements marqués.

AVIS : Lors du perçage des trous marqués, s'assurer que la mèche est perpendiculaire au tableau arrière/à la poupe du bateau et que les trous sont percés droit. Ne pas percer les trous droits entraînera un mauvais ajustement de la quincaillerie de montage.



2

- c. Placer un cordon de 1/8 po (0,3 cm) de scellant de qualité marine sur le tableau arrière du bateau, autour des trous percés.
- d. Placer le scellant de qualité marine sur la surface du support de montage qui sera en contact avec le tableau arrière/la poupe du bateau, une fois monté. Garder le scellant centré approximativement entre la bordure extérieure du support de montage et les trous de montage. Lorsque le scellant est en place, aligner le support de montage dans l'orientation désirée avec les trous qui étaient percés dans le tableau arrière/la poupe.



INSTALLATION

3

ARTICLE(S) REQUIS

#2 x 4

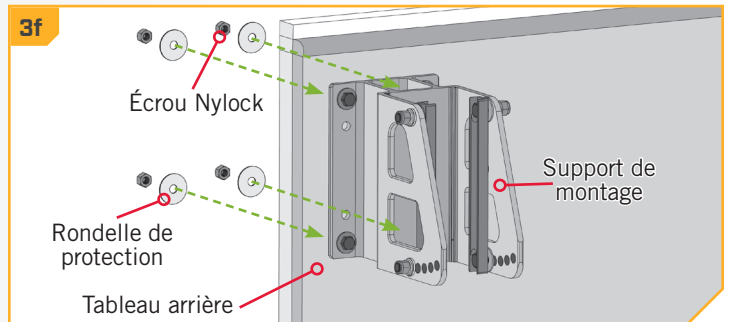
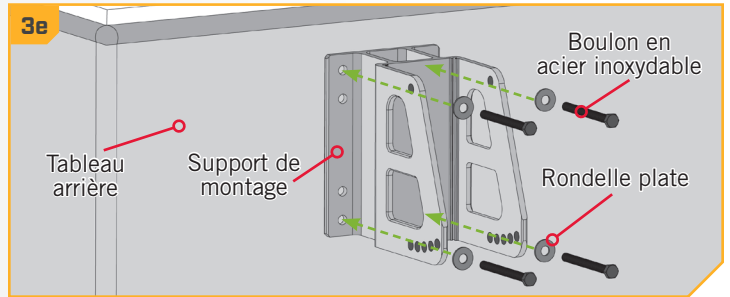
#4 x 4

#6 x 4

#8 x 4

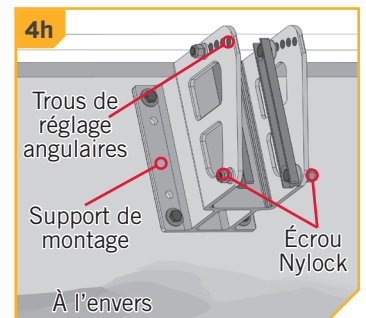
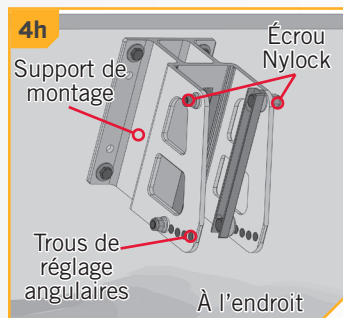
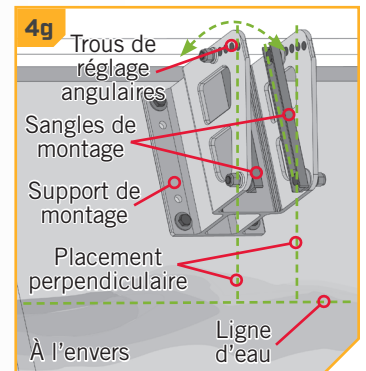
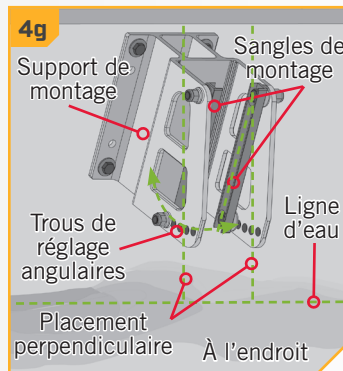
- e. Prendre chacun des quatre boulons en acier inoxydable de 3 1/2 po (8,9 cm) (article n° 2) et placer une rondelle plate (article n° 4) dessus. Placer un boulon sur chacun des trous de montage afin qu'il passe dans le support de montage et les trous percés du tableau arrière du bateau.
- f. Placer une rondelle de protection (article n° 6) sur l'extrémité de chaque boulon à l'intérieur du tableau arrière, ensuite fixer chacun avec un écrou Nylock (article n° 8). Serrer les boulons avec une clé polygonale ou à cliquet de 1/2 po (12,7 mm). Ne pas trop serrer.

AVIS : Pour prévenir le grippage de la quincaillerie en acier inoxydable, n'utilisez pas d'outils haute vitesse pour l'installation. D'appliquer un antigrippant peut aider à prévenir qu'elles grippent.



4

- g. Lorsque le support de montage est fixé, noter les sangles de montage situées à l'intérieur du support de montage. Les sangles de montage doivent être ajustées afin qu'elles soient aussi perpendiculaires que possible à la ligne d'eau. Les cinq trous de réglage angulaires situés à une extrémité des sangles de montage permettent un mouvement de 25 degrés pour s'adapter à la variabilité de divers styles de tableaux arrière.
- h. Si les sangles de montage ne sont pas perpendiculaires, utiliser une clé polygonale ou à cliquet de 9/16 po (14,3 mm). Le boulon qui traverse la sangle de montage, en face des trous de réglage angulaires, doit être desserré, mais non retiré.

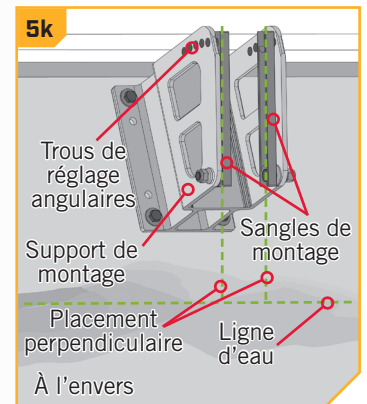
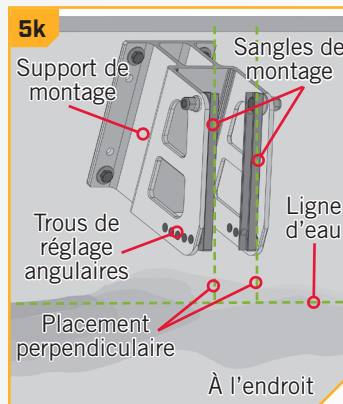
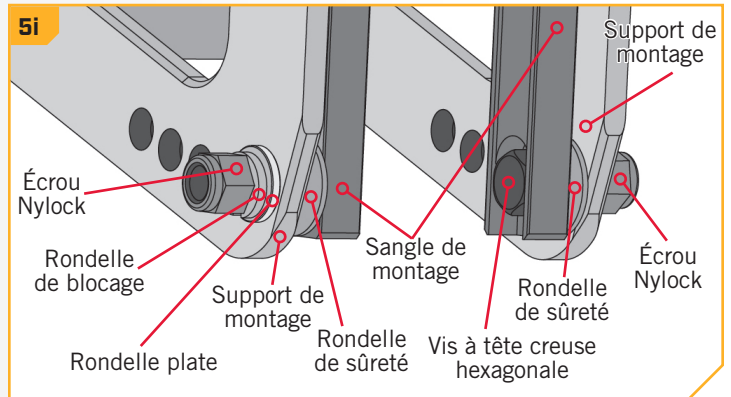


5

- i. Ensuite, noter la position des écrous, des rondelles et des vis qui tiennent la sangle de montage en place. Les vis à tête creuse hexagonale passent de l'intérieur à l'extérieur du support. Elles passent à travers la sangle de montage, ensuite une rondelle de sûreté, ensuite le support de montage. À l'extérieur du support, la vis tient d'abord une rondelle plate, ensuite une rondelle de blocage, avant d'être fixée par un écrou Nylock.
- j. Lorsque l'écrou de Nylock approprié a été desserré, trouver l'écrou Nylock de l'autre côté de l'écrou desserré sur la sangle de montage et le retirer.
- k. Ajuster les sangles de montage afin qu'elles soient aussi perpendiculaires que possible à la ligne d'eau.

ATTENTION

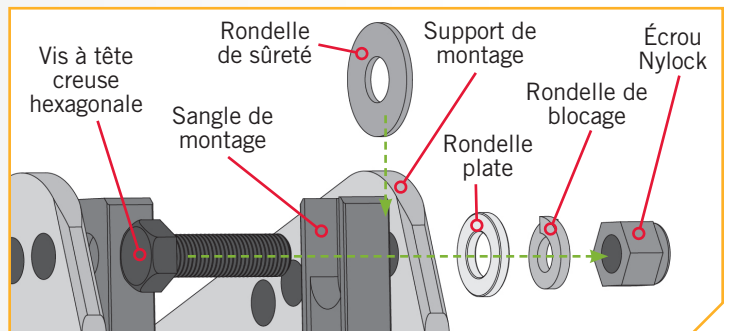
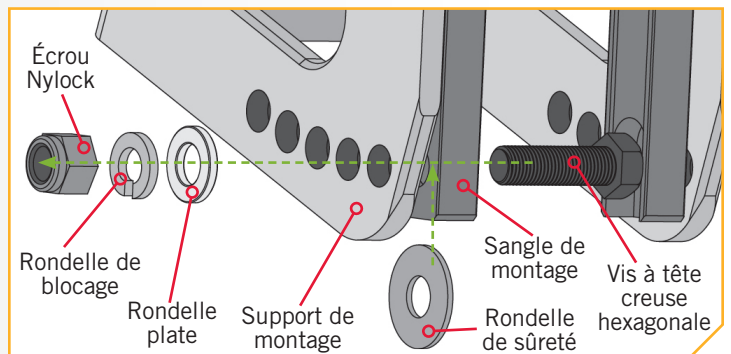
Ne pas utiliser le support de montage ni le Talon comme marche pour entrer dans le bateau. Le support sera glissant lorsque mouillé et n'est pas conçu pour soutenir des personnes. Utiliser ce produit comme marche peut entraîner des blessures.



6

- l. Une fois perpendiculaire, replacer la quincaillerie qui a été retirée en sélectionnant un des cinq trous de réglage angulaires qui soutiendront la sangle de montage à la position la plus perpendiculaire.
- m. Pour replacer les boulons, les passer de l'intérieur vers l'extérieur, à travers la sangle de montage, ensuite la rondelle de sûreté, le support de montage, une rondelle plate et une rondelle de blocage. Fixer ensuite lâchement l'écrou Nylock. Les écrous seront serrés complètement plus tard dans l'installation.

AVIS : Pour prévenir le grippage de la quincaillerie en acier inoxydable, n'utilisez pas d'outils haute vitesse pour l'installation. La quincaillerie qui tient les sangles de montage a un antigrippant préappliqué.



INSTALLATION

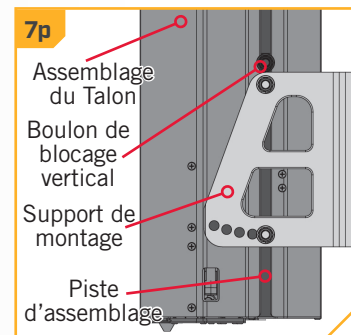
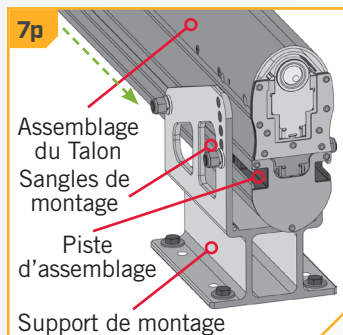
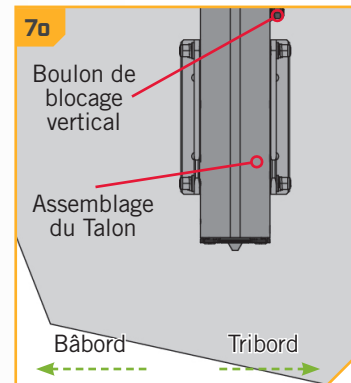
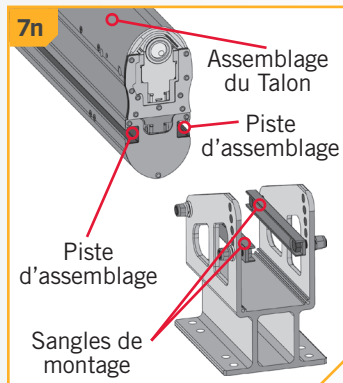
7

ARTICLE(S) REQUIS



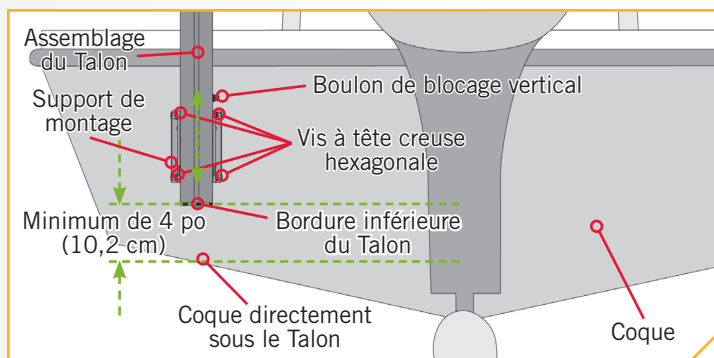
AVIS : Nous recommandons de se faire aider par une deuxième personne pour cette étape de l'installation.

- n. L'assemblage du Talon doit être installé sur le support de montage. Prendre l'assemblage du Talon (article n° B) et remarquer qu'il y a une piste d'assemblage située sur les deux côtés du Talon.
- o. Lorsque le Talon est orienté comme il le serait une fois installé, il y a un boulon de blocage vertical unique situé sur le côté tribord du Talon, longeant la piste d'assemblage. Le boulon de blocage vertical est utilisé comme point de référence ou de guidage pour bloquer le Talon et placer les sangles de montage dans la piste d'assemblage. S'assurer que le boulon de blocage vertical est fixé dans la position finale approximative.
- p. Lever avec précaution l'assemblage du Talon dans le support de montage et aligner les sangles de montage avec la piste d'assemblage. Faire glisser les rondelles de sûreté sur la paroi intérieure du support de montage afin qu'elles soient entre le support et l'assemblage du Talon. Faire glisser l'assemblage du Talon vers le bas sur les pistes d'assemblage jusqu'à ce qu'il soit en contact avec le boulon de blocage vertical.



8

- q. En soutenant l'assemblage du Talon, l'ajuster, ainsi que le boulon de blocage vertical, vers le haut et le bas, dans le support de montage afin que le bas de l'assemblage du Talon soit à au moins 4 po (10,2 cm) au-dessus du bas de la coque du bateau, ou de la ligne d'eau du bateau. Une fois en place, serrer temporairement le boulon de blocage vertical.
- r. Revérifier le placement de l'assemblage du Talon et s'assurer qu'il respecte les consignes de montage. Faire tout ajustement nécessaire. Lorsque la position de l'assemblage du Talon est acceptable, fixer les quatre vis à tête creuse hexagonale et Écrous Nylock qui tiennent les sangles de montage avec une clé polygonale ou à cliquet de 9/16 po (14,3 mm). Utiliser une clé à cliquet pour serrer à un couple de serrage de 20 à 30 pi-lb (27 à 40 Nm). Serrer le boulon de blocage vertical.



⚠ ATTENTION

Vérifier la tension des quatre écrous d'ajustement vertical après la première utilisation, et périodiquement après, afin d'assurer qu'ils sont au couple de serrage recommandé de 20 à 30 pi-lb (27 à 40 Nm).

AVIS : Des ajustements supplémentaires pourraient être nécessaires au montage après un essai initial avec le bateau sur l'eau. Resserrer périodiquement les quatre vis et Écrous Nylock à 30 pi-lb (40 Nm).

› Installation de l'écran de déflexion d'eau

L'écran de déflexion d'eau est conçu pour empêcher des conditions indésirables de jet d'eau lorsque le bateau circule sur l'eau. L'écran de déflexion d'eau est installé après l'installation réussie du Talon sur le bateau. Chaque installation sera différente et dépendante de la position du Talon dans le support de montage. L'écran de déflexion d'eau est installé sur le côté inférieur du support de montage, lorsqu'il est installé sur le bateau. L'installation est conçue pour être réglable pour convenir à diverses positions angulaires.

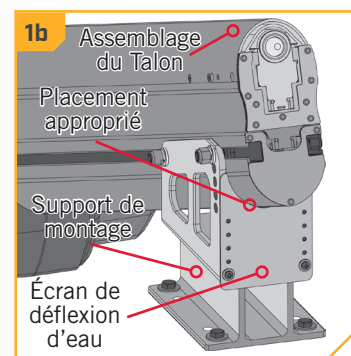
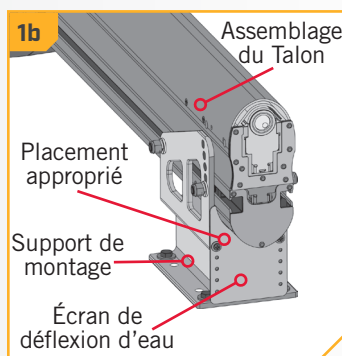
1

ARTICLE(S) REQUIS



#20 x 1

- a. S'assurer que le Talon est placé selon la recommandation et installé de façon appropriée en révisant la section Installation du Talon de ce manuel.
- b. Une fois terminée, prendre l'écran de déflexion d'eau (article n° 20) et déterminer où il sera installé sur le support de montage. Lorsque bien placée, la bordure courbée de l'écran sera contre la surface de l'assemblage du Talon, qui est placé sur le côté en-bord du support de montage.

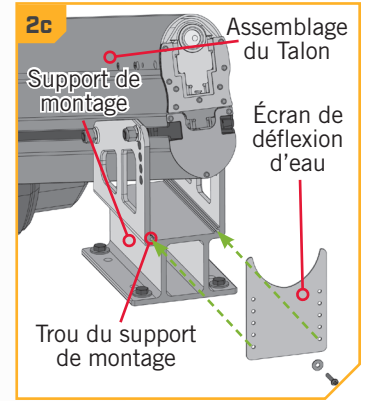
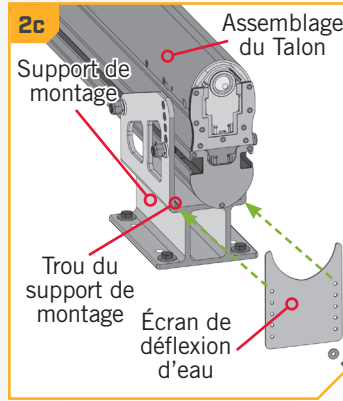


INSTALLATION

2

- c. Aligner l'ensemble de trous le plus proche de l'écran aux trous dans le fond du support de montage. L'ensemble de trous utilisé sur l'écran sera différent pour chaque installation individuelle.

AVIS : L'écran de déflexion d'eau sera toujours installé sur le côté inférieur du support de montage, peu importe l'orientation de l'installation du support de montage. Il ne devrait y avoir aucun écart entre l'écran et le Talon.



3

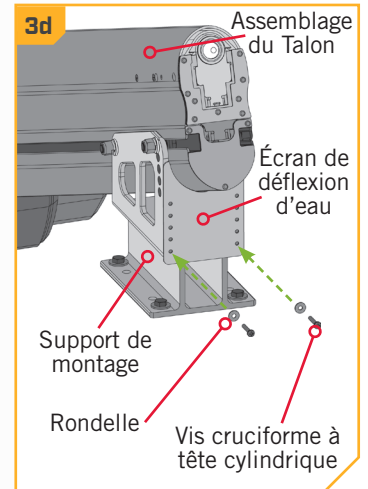
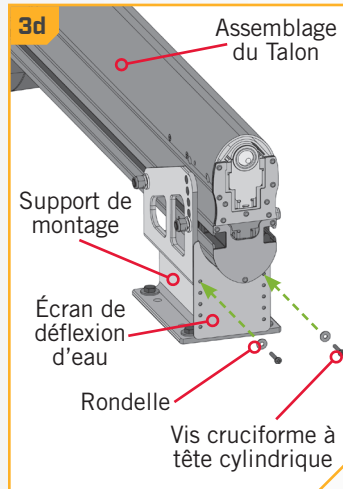
ARTICLE(S) REQUIS

- ▮ #24 x 1 ● #22 x 1

- d. Prendre deux rondelles de 1/2 po (1,3 cm) (article n° 22) et deux vis cruciformes à tête cylindrique de 1 po (2,5 cm) (article n° 24) pour fixer l'écran au support de montage. Placer une rondelle sur chaque vis. La vis devrait traverser une rondelle, ensuite l'écran de déflexion d'eau et entrer dans le support de montage. Fixer les vis à l'aide d'un tournevis n° 2.

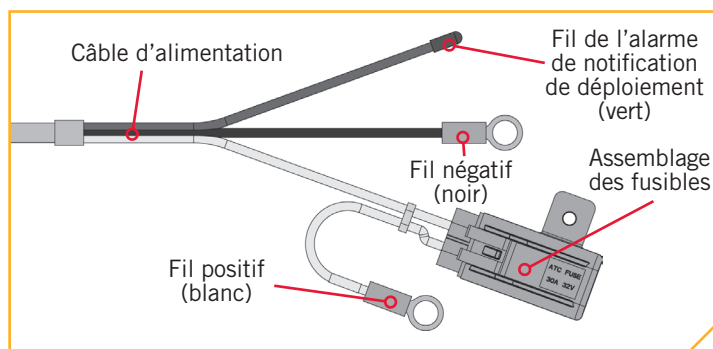
AVIS : Pour prévenir le grippage de la quincaillerie en acier inoxydable, n'utilisez pas d'outils haute vitesse pour l'installation. Le fait de mouiller les vis ou d'appliquer un antigrippant peut aider à prévenir qu'elles grippent.

AVIS : Si vous ajustez l'angle du Talon lorsque cette étape est terminée, vous devrez réajuster le placement de l'écran de déflexion d'eau afin d'assurer une fonctionnalité appropriée.



► Installation du câble d'alimentation électrique et du fil de l'alarme de notification de déploiement

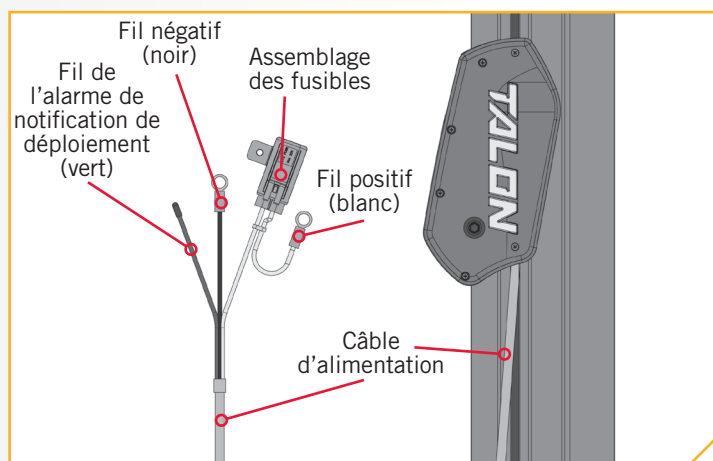
Le câble d'alimentation du Talon comprend un fusible réarmable en ligne de 30 ampères sur le fil positif, un fil négatif et un fil de l'alarme de notification de déploiement. Le fil de l'alarme de notification de déploiement est un fil vert qui arrive du câble d'alimentation et, lorsqu'il est installé, est utilisé pour sonner une alarme lorsque le commutateur d'allumage est en position On (marche) lorsque le Talon est déployé. Lorsqu'il est connecté et que le talon est bien arrimé, aucun son ne sera émis lorsque le commutateur d'allumage est en position On (marche). Minn Kota recommande la connexion du câble d'alimentation à la batterie de démarrage par le biais d'un commutateur de sélection/déconnexion d'alimentation de la batterie. Le Talon puise une petite quantité du courant résiduel de la batterie même s'il n'est pas utilisé. La connexion du fil positif du câble d'alimentation du Talon par le biais d'un commutateur de sélection/déconnexion d'alimentation de la batterie déconnectera l'alimentation au Talon lorsque le commutateur d'allumage est en position Off (arrêt). Le commutateur d'allumage doit avoir une capacité nominale minimale de 60 ampères par Talon. Si vous ne connectez pas le Talon à un commutateur de sélection/déconnexion d'alimentation de la batterie, il peut être connecté directement à la batterie de démarrage, mais devrait être déconnecté de la source d'alimentation lorsque le Talon n'est pas utilisé. Le câble d'alimentation peut être acheminé par plusieurs façons différentes, selon la configuration unique du bateau. On recommande d'acheminer le câble d'alimentation de trouver le chemin le plus court et propre entre le Talon et la connexion à la batterie. Veuillez consulter la section Installation des batteries et du câblage de ce manuel pour de plus amples informations.



AVIS : Il n'est pas nécessaire de connecter le fil de l'alarme de notification de déploiement pour que le Talon fonctionne, mais il est nécessaire pour la conformité aux exigences de la garantie.

1

- a. Bien inspecter le chemin sélectionné afin d'assurer qu'il n'y a pas d'arêtes vives, d'obstacles ou d'obstructions qui pourraient endommager le câble d'alimentation. Dans le cas d'acheminement le long de l'assemblage du harnais de fils et câbles de hors-bord au gaz, il faudra peut-être ouvrir des attaches ou des raccordements de fils afin de permettre au câble d'alimentation de passer.
- b. Soigneusement, acheminer le câble d'alimentation sur le chemin prévu. Éliminer tout jeu dans le câble d'alimentation afin qu'il passe sans gonflement, bosse ou pli.
- c. Le câble d'alimentation du Talon est fendu à l'extrémité pour inclure le fil positif avec un fusible, un fil négatif et ensuite le fil de l'alarme de notification de déploiement. Si vous choisissez de ne pas connecter le fil de l'alarme de notification de déploiement, sautez l'étape 4.

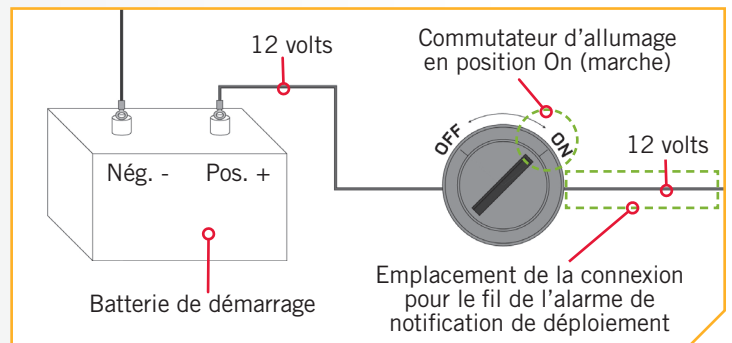
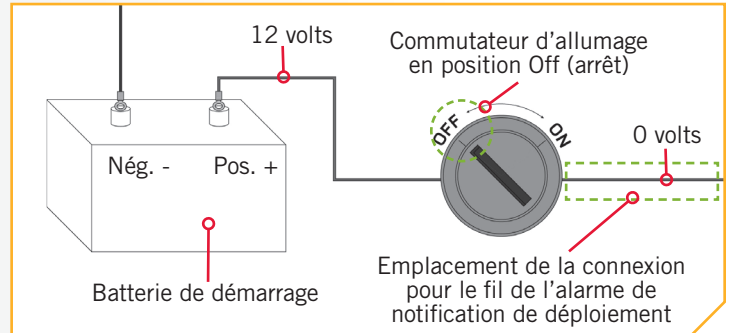


AVIS : En cas d'incertitude sur la façon de câbler le câble d'alimentation du Talon, consulter un technicien marin qualifié.

INSTALLATION

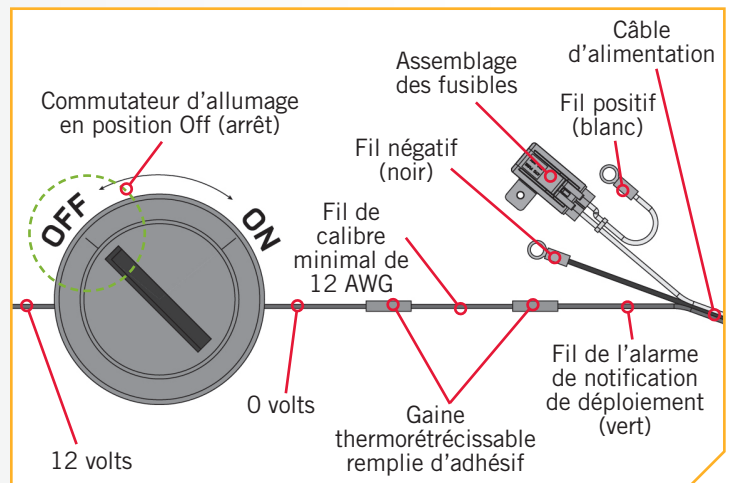
2

- d. L'alarme de notification de déploiement en option sera connectée au côté du commutateur d'allumage de 12 volts qui n'a pas suffisamment d'alimentation lorsque le commutateur est en position Off (arrêt). Utiliser un voltmètre pour déterminer s'il y a une connexion. Il faudra peut-être mettre le commutateur d'allumage en position On (marche) et en position Off (arrêt) pour vérifier la connexion avec le voltmètre. La connexion devrait avoir 12 volts lorsque le commutateur d'allumage est en position On (marche), et aucune tension lorsque le commutateur d'allumage est en position Off (arrêt).
- e. Déterminer ensuite si le fil de l'alarme de notification de déploiement est suffisamment long pour se rendre à la connexion prévue. S'il faut un fil plus long, utiliser un fil d'au moins 12 AWG.



3

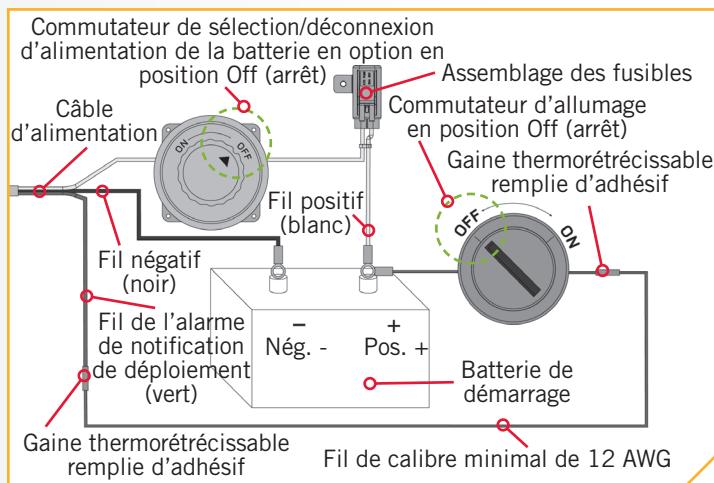
- f. S'assurer que le commutateur d'allumage est en position Off (arrêt). Couper l'extrémité scellée du fil vert de l'alarme de notification de déploiement sur le câble d'alimentation et l'épissure au fil de calibre nominal minimal de 12 AWG, ou si le fil est suffisamment long, directement au côté commuté du commutateur d'allumage qui vient d'être essayé. Utiliser une gaine thermorétractable remplie d'adhésif pour rendre l'épissure hydrofuge et sécurisée.
- g. Si un fil supplémentaire a été utilisé, fermer la connexion finale entre le commutateur d'allumage et le fils supplémentaire de 12 AWG, et sceller avec une gaine thermorétractable remplie d'adhésif.



AVIS : Lorsque bien installée, l'alarme ne sonnera que lorsque la clé de contact est en position de marche lorsque le Talon n'est pas complètement rétracté.

4

- h. Lors d'une connexion à un commutateur de sélection/déconnexion d'alimentation de la batterie en option, le mettre en position Off (arrêt) avant de le connecter au câble d'alimentation.
- i. Le fil positif blanc provenant du câble d'alimentation a une bande rouge et comprend l'assemblage des fusibles. Ce fil se connecte à la borne positive (+) de la batterie de démarrage ou au sélecteur de batterie est à positif. Connecter le fil négatif noir du câble d'alimentation à la borne négative (-) de la batterie de démarrage. Si on doit utiliser du câblage supplémentaire pour les connexions, consulter la section Installation des batteries et du câblage de ce manuel. Fixer toutes les épissures avec une gaine thermorétractible remplie d'adhésif. S'assurer que l'assemblage des fusibles est utilisé.



AVIS : Pour une conformité appropriée au American Boat & Yacht Council, si l'assemblage des fusibles est retiré, l'utilisateur doit installer un fusible de 30 ampères à moins de 7 po (17,8 cm) de la borne positive (+) de la batterie.

5

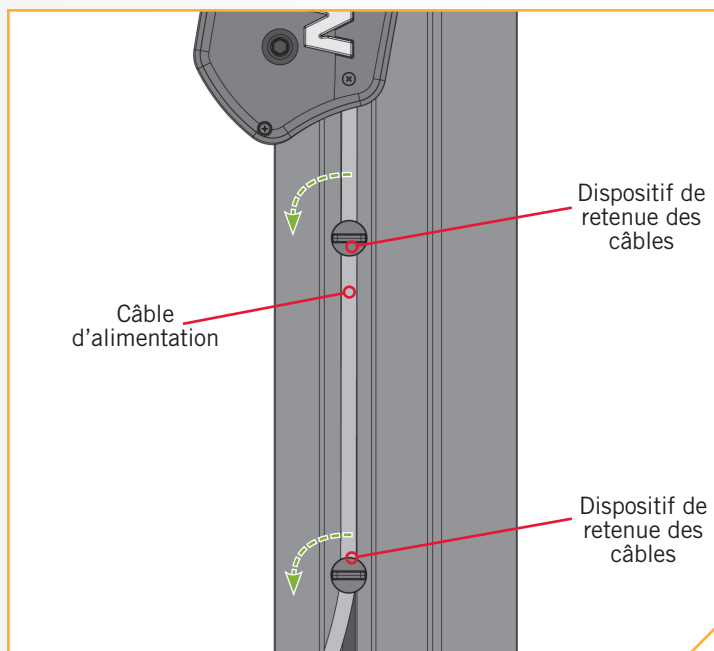
ARTICLE(S) REQUIS

 #14 x 2

- j. Lorsque le câble d'alimentation a été acheminé, connecté et sécurisé, le reste du câble libre peut être poussé à l'intérieur du chemin d'assemblage qui court verticalement le long de la colonne extérieure du Talon.

AVIS : Selon le câblage, il peut avoir plus ou moins de jeu dans le câble d'alimentation. L'utilisation et le placement des dispositifs de retenue des câbles varieront d'une installation à l'autre.

- k. Prendre les deux dispositifs de retenue des câbles (article n° 14) et pousser leur portion à rainure en T dans le chemin d'assemblage. Une fois en place, utiliser des pinces pour tourner le dispositif de retenue des câbles à 90 degrés dans le chemin d'assemblage pour le fixer en place.



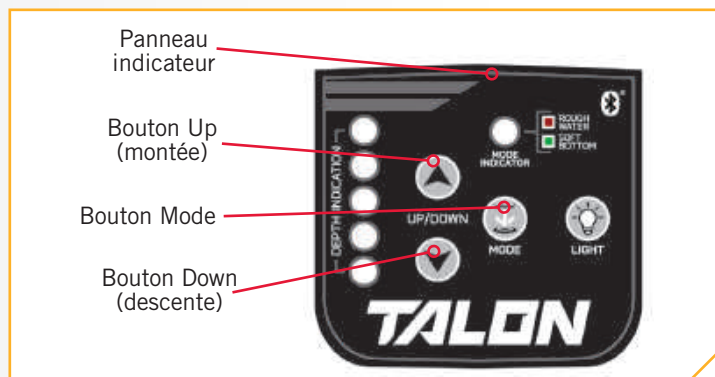
INSTALLATION

› Vérification de l'installation

Lorsque l'installation est terminée, utiliser la procédure suivante pour vérifier l'installation et confirmer que votre Talon est prêt à utiliser.

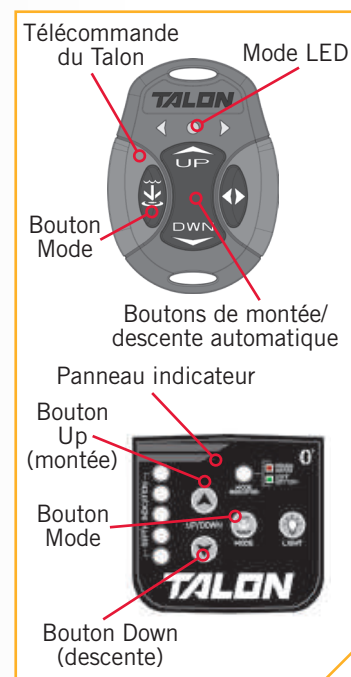
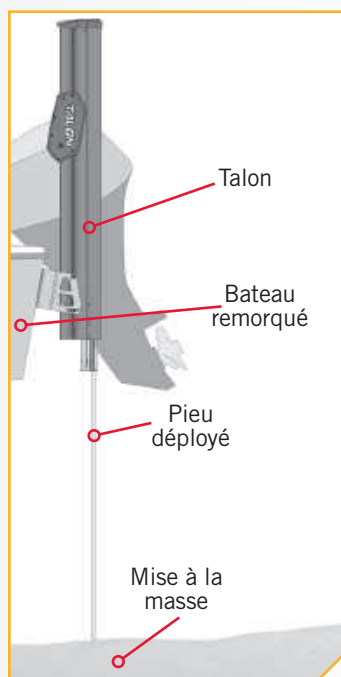
1

- a. Pour cet essai, le Talon doit pouvoir déployer et entrer en contact avec le sol sans frapper une obstruction. Inspecter attentivement la région autour du Talon pour toute obstruction qui pourrait nuire au déploiement.
- b. En cas d'utilisation d'un sélecteur de batterie, ou d'un commutateur de déconnexion de l'alimentation, tourner le commutateur de sélection à la position On (marche). Trois boutons sur le panneau indicateur du Talon sont nécessaires pour cette vérification : le bouton Up (Montée) ▲, le bouton Down (Descente) ▼ et le bouton Mode \$. Appuyez sur le bouton Mode \$. Confirmez que l'indicateur de mode est éteint. Si ce n'est pas le cas, appuyez sur le bouton Mode jusqu'à ce que l'indicateur de mode clignote du vert au rouge et s'éteigne.



2

- c. Se tenir à l'écart du Talon et appuyer sur le bouton ▼ Down (descente). Le pieu du Talon commencera déployer. Les voyants à DEL d'indication de la profondeur sur le panneau indicateur suivront le progrès du Talon alors que le pieu se déploie.
- d. Lorsque le pieu entre en contact avec le sol, l'unité se désactivera automatiquement. Après la première désactivation, on entendra deux cycles de déploiement supplémentaires (clics), à des intervalles de trois secondes du premier contact avec le sol.
- e. Si le Talon fonctionne selon la description ci-dessus, appuyer sur le bouton ▲ Up (montée). Le Talon se rétractera complètement. Si le Talon ne fonctionne pas selon la description, révéifier toutes les connexions de câblage et vérifier la polarité appropriée des fils d'alimentation blanc et noir, et faire un nouvel essai.



AVIS : Pour effectuer le même essai à l'aide de la télécommande plutôt que les boutons sur le panneau indicateur, utiliser les boutons Anchor (Mode (mode ancrage), Up (montée) et le bouton Down (descente) sur la télécommande. Pour déployer l'ancre sur la télécommande, on doit appuyer deux fois sur le bouton Down (descente).

INSTALLATION DES BATTERIES ET DU CÂBLAGE

GRÉEMENT DE L'EMBARCATION ET INSTALLATION DU PRODUIT

Pour des raisons de sécurité et de conformité, nous vous recommandons de suivre les normes du Conseil américain sur les embarcations et les yachts (American Boat and Yacht Council, ABYC) pour le gréement de l'embarcation. Les altérations dans le câblage de l'embarcation devraient être complétées par un technicien de marine qualifié. Les spécifications suivantes sont seulement des lignes directrices générales.

ATTENTION

Veuillez lire les renseignements suivants avant de connecter votre Talon à vos batteries afin d'éviter d'endommager votre produit ou d'annuler votre garantie.

ATTENTION

Ces lignes directrices s'appliquent au gréement général pour soutenir le produit de Minn Kota. L'alimentation de multiples Talons ou d'autres appareils électriques, à partir du même circuit d'alimentation, peut influencer sur le gabarit de conducteurs et le dimensionnement des disjoncteurs recommandé. Pour un fil plus long que celui fourni avec l'appareil, suivre le tableau de dimensionnement de gabarit des conducteurs et des disjoncteurs du tableau ci-dessous. Si la longueur totale de la rallonge est de plus de 25 pi (7,60 m), nous vous recommandons de communiquer avec un technicien maritime qualifié.

ATTENTION

Un dispositif de protection contre la surintensité (disjoncteur ou fusible) doit être utilisé. Les préalables de la garde côtière exigent que chaque conducteur de courant, qui n'est pas fixé, soit protégé par un fusible ou un disjoncteur qui se réinitialise manuellement et qui ne peut se déclencher automatiquement. Le type (courant et tension de puissance nominale) de fusible ou de disjoncteur doit être de dimension appropriée. Le tableau ci-dessous donne les lignes directrices recommandées pour ce qui est du dimensionnement des disjoncteurs.

TABLEAU DES DIMENSIONS DE GABARIT DES CONDUCTEURS ET DISJONCTEURS

Le présent tableau des dimensions de gabarit des conducteurs et disjoncteurs est uniquement valable pour les hypothèses suivantes :

1. Il n'y a pas plus de deux conducteurs qui sont regroupés à l'intérieur d'une gaine ou d'un conduit à l'extérieur de l'espace moteur.
2. Chaque conducteur est muni d'un isolant d'une température nominale de 105 °C (221° F).
3. Aucune chute de tension de plus de 5 % n'est autorisée lorsque d'un plein régime, en fonction des exigences en matière d'alimentation du produit qui ont été publiées.

Courant Tiré Max	Disjoncteur	Longueur De La Rallonge				
		5 pi (1,5 m)	10 pi (3 m)	15 pi (4,8 m)	20 pi (6,1 m)	25 pi (7,6 m)
30 ampères	30 A à 12 VCC	10 AWG	10 AWG	8 AWG	6 AWG	4 AWG

AVIS : La longueur de la rallonge fait référence à la distance entre les batteries aux fils du Talon. Les valeurs d'intensité maximales ont lieu de manière intermittente durant certaines conditions et ne doivent pas être utilisées comme valeur nominale continue.

Référence

Code des règlements fédéraux des États-Unis : article 183 du titre 33 du Code des règlements fédéraux (CRF) - Embarcations et équipements associés ABYC E-11 : systèmes électriques CA et CC sur les embarcations

INSTALLATION DES BATTERIES ET DU CÂBLAGE

COMMENT SÉLECTIONNER UNE BATTERIE ADÉQUATE

Le Talon fonctionnera avec toute batterie marine plomb/acide de 12 volts. Pour les meilleurs résultats, Minn Kota recommande la connexion à la batterie de démarrage. Maintenir la batterie complètement chargée. Un entretien adéquat fera en sorte que le courant sera disponible le moment venu et améliorera considérablement la durée de vie de la batterie. Le fait de ne pas recharger les batteries au plomb (dans les 12 à 24 heures) est la principale cause de défaillance prématurée de celles-ci. Utiliser un chargeur multiphase pour éviter une surcharge. Nous offrons une vaste sélection de chargeurs en fonction de vos besoins. Pour de plus amples informations sur la sélection et le grément de batterie, veuillez visiter minnkotamotors.com.

Le Talon puise une petite quantité du courant résiduel de la batterie même s'il n'est pas utilisé. Si le Talon n'est pas utilisé pendant plus de 5 jours, les fils d'alimentation du Talon doivent être déconnectés de la batterie. Éviter de connecter le Talon sur les mêmes batteries où est connecté un moteur de pêche à la traîne ou un autre accessoire. On recommande de connecter le Talon à la batterie de démarrage par le biais d'un sélecteur de batterie ou un commutateur de déconnexion de l'alimentation. Cela déconnectera l'alimentation du Talon lorsque le commutateur d'allumage est en position Off (arrêt). Si un commutateur de sélection/déconnexion d'alimentation de la batterie n'est pas utilisé, le Talon peut être connecté directement à la batterie de démarrage.



AVERTISSEMENT

Ne jamais brancher les bornes (+) et (-) de la batterie ensemble. Assurez-vous qu'aucun objet métallique ne puisse tomber sur la batterie et provoquer un court-circuit entre les bornes. Cela provoquerait immédiatement un court-circuit et un risque extrême d'incendie.

Pour une conformité appropriée au ABYC, lorsque le fusible du fabricant a été retiré, l'utilisateur doit installer un fusible de 30 ampères à moins de 7 po (17,8 cm) de la borne positive (+) de la batterie.

AVIS : Le fusible réarmable en ligne de 30 ampères est conçu pour protéger le système. Si ce fusible déclenche de façon répétitive, un câblage défectueux en est peut-être la cause et doit être corrigé. Si on soupçonne le fusible réarmable lui-même, Minn Kota recommande de communiquer avec le service à la clientèle pour un remplacement approprié.

CONNEXION DES BATTERIES

› Systèmes de 12 volts

1. En cas d'une connexion à un commutateur de sélection/déconnexion d'alimentation de la batterie en option, le tourner en position Off (arrêt) avant de connecter le câble d'alimentation.
2. Connecter le fil blanc positif (+) à la borne positive (+) de la batterie, ou au commutateur positif.
3. Connecter le fil noir négatif (-) à la borne négative (-) de la batterie, ou au commutateur négative.



AVERTISSEMENT

Respecter la polarité appropriée et suivre les instructions du manuel du propriétaire du bateau en matière de polarité.

INSTALLATION DES BATTERIES ET DU CÂBLAGE



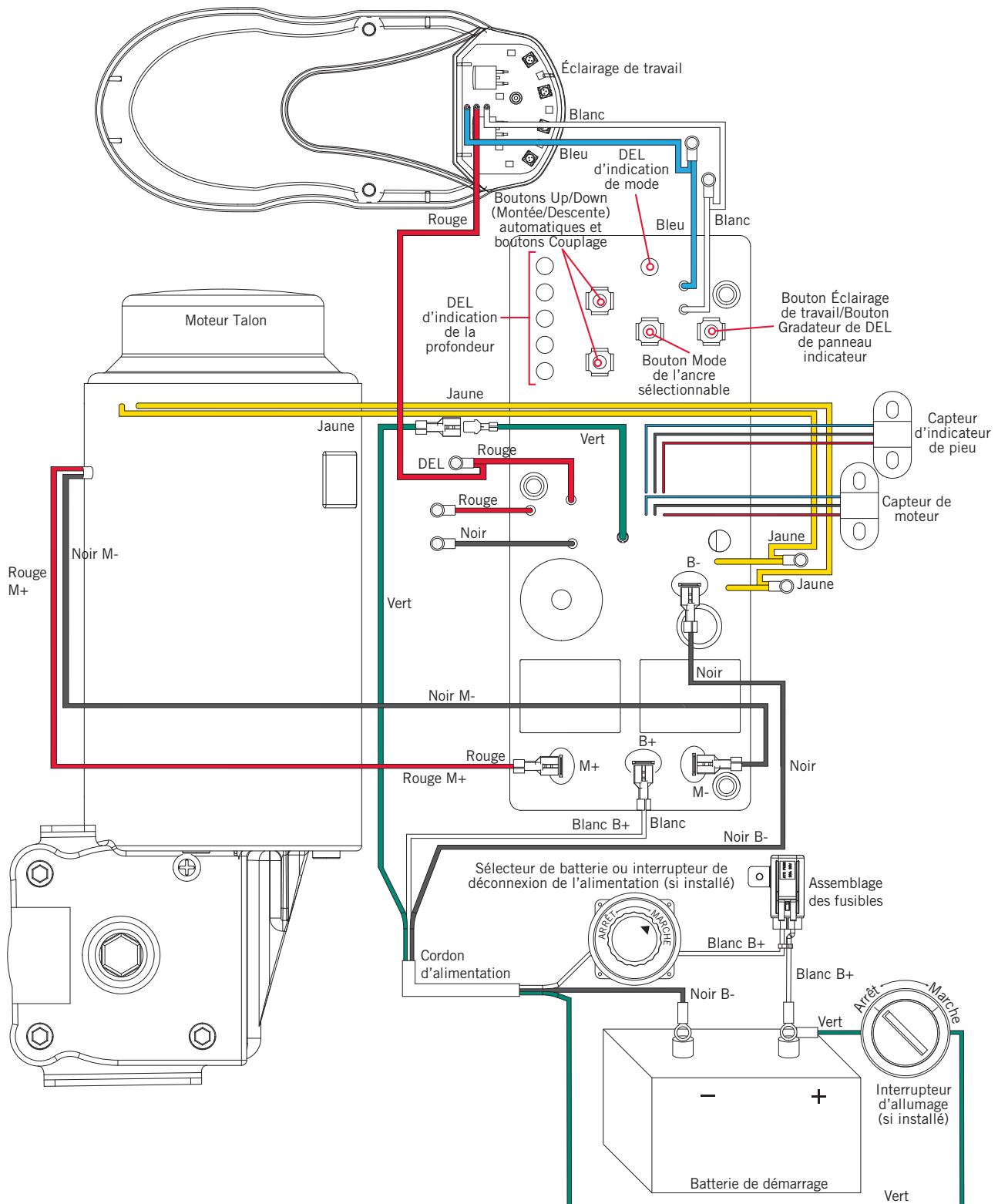
AVERTISSEMENT

- Le Talon puise une petite quantité du courant résiduel de la batterie même s'il n'est pas utilisé. Si le Talon n'est pas utilisé pendant plus de cinq jours, ou lorsque les batteries sont en voie de charge, les fils d'alimentation du Talon doivent être déconnectés de la batterie. On recommande de connecter le Talon à la batterie de démarrage par le biais d'un sélecteur de batterie ou un commutateur de déconnexion de l'alimentation. Cela déconnectera l'alimentation du Talon lorsque le commutateur d'allumage est en position Off (arrêt). Si un commutateur de sélection/commutateur de la batterie n'est pas utilisé, le Talon peut être connecté directement à la batterie de démarrage.
- Garder des connexions solides des fils autour de la batterie ou des bornes du commutateur.
- La batterie de démarrage devrait être située dans un compartiment ventilé pour éviter des étincelles provenant de matières combustibles.

DIAGRAMME DE CÂBLAGE

TALON

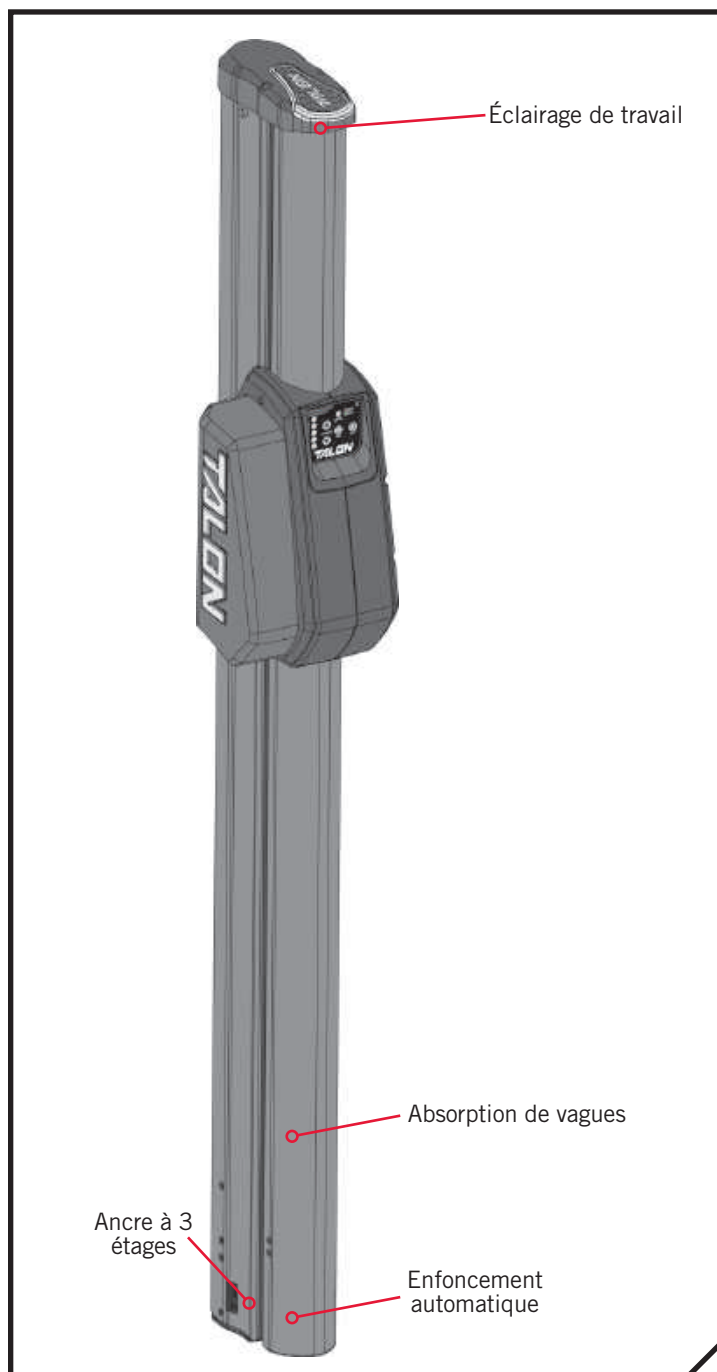
Le diagramme de câblage de moteur suivant s'applique à tous les modèles de Talon.



UTILISATION DU TALON

CARACTÉRISTIQUES DU TALON

Prenez connaissance des fonctionnalités du Talon afin de maximiser les capacités de ce produit.



› Absorption de vagues

Grâce à l'absorption de vagues, Talon permet à votre bateau de se déplacer vers le haut ou le bas sans affecter l'ancre déployée. Cette fonction utilise une suspension flottante intégrée afin d'assurer que votre bateau reste ancré au fond, même lorsque l'eau est agitée.

› Ancre à 3 étages

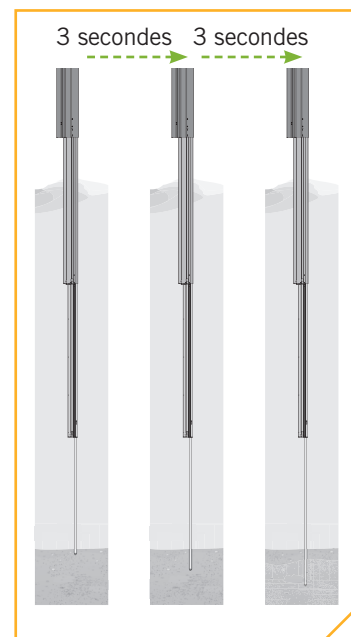
Votre ancre Talon utilise un fonctionnement à 3 étages afin que vous puissiez effectuer un ancrage à de plus grandes profondeurs. Le premier étage de l'ancre est doté d'un pieu pour un ancrage précis.

› Éclairage de travail

Le Talon est équipé d'un éclairage de travail accessoire. Il s'agit d'une lampe mains libres facile à utiliser dont on peut régler l'intensité et la couleur pour fournir un éclairage adapté à vos besoins. Vous pouvez contrôler l'éclairage de travail grâce au panneau indicateur et à la télécommande.

› Enfoncement automatique

Dans certains modes, l'enfoncement automatique fera pénétrer avec puissance le pieu dans le fond grâce à trois coups successifs, en augmentant la force pour chaque coup. Talon enfonce l'ancre pour vous, afin de vous assurer que l'ancre est solidement en place. La fonction d'enfoncement automatique du Talon cesse d'enfoncer le pieu lorsque le pieu touche au fond.



AVIS : Une tentative de rétracter le Talon avant la fin de sa séquence de déploiement automatique annulera uniquement la séquence de déploiement en cours et ne causera pas la rétraction du Talon. Vous pouvez rétracter le Talon normalement lorsqu'une séquence de déploiement a été terminée ou annulée.

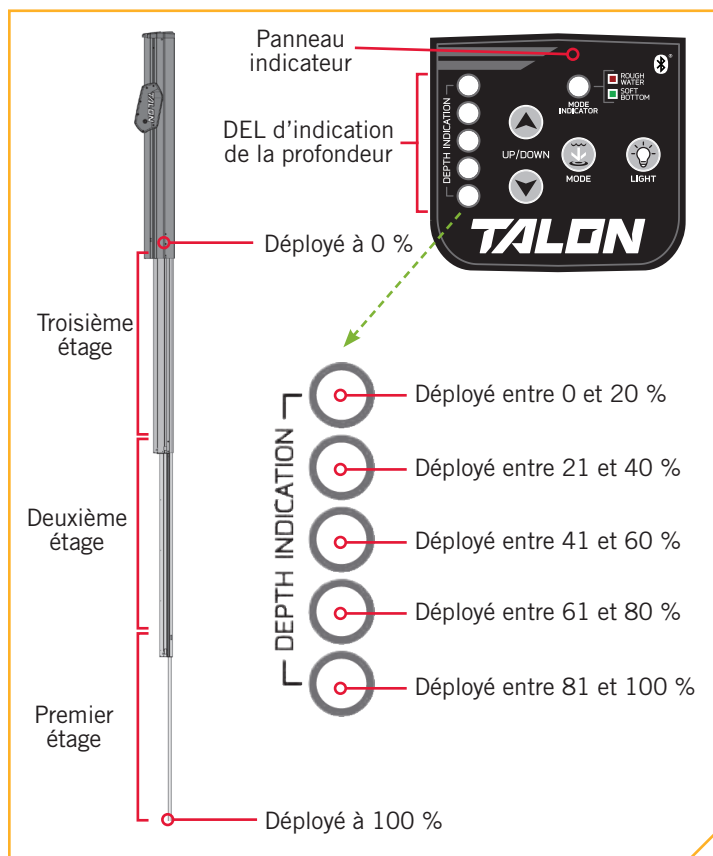
UTILISATION DU TALON

› DEL d'indication de la profondeur

Les DEL d'indication de la profondeur affichent la profondeur de déploiement de l'ancre, en incréments de 20 %. Chaque DEL d'indication de la profondeur clignotera tandis que l'ancre traverse sa plage de profondeur et s'allumera de manière continue lorsque cette profondeur est dépassée.

La première DEL d'indication de la profondeur clignotera en bleu dès que le Talon est déployé. Si, pour toute raison, l'ancre s'arrête dans les premiers 20 % de la séquence de déploiement, la DEL supérieure restera allumée sans clignoter. La DEL d'indication de la profondeur sera toujours allumée continuellement si le Talon n'est pas entièrement rétracté.

La DEL d'indication de la profondeur inférieure s'allumera sans clignoter uniquement lorsque le Talon est déployé à 100 %.



› Fonctions de mode

Le Talon fonctionne en trois modes différents. Chaque mode est conçu pour un scénario sur l'eau spécifique et modifie le comportement d'ancrage du Talon lors du déploiement. Le Talon peut s'ancrer dans la plupart des conditions; il est important de sélectionner le bon mode d'ancrage. Les trois fonctions de mode différentes sont :

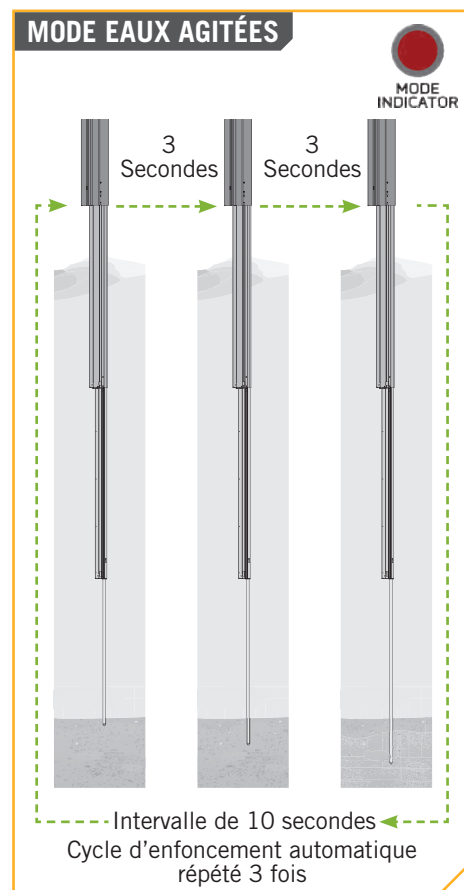
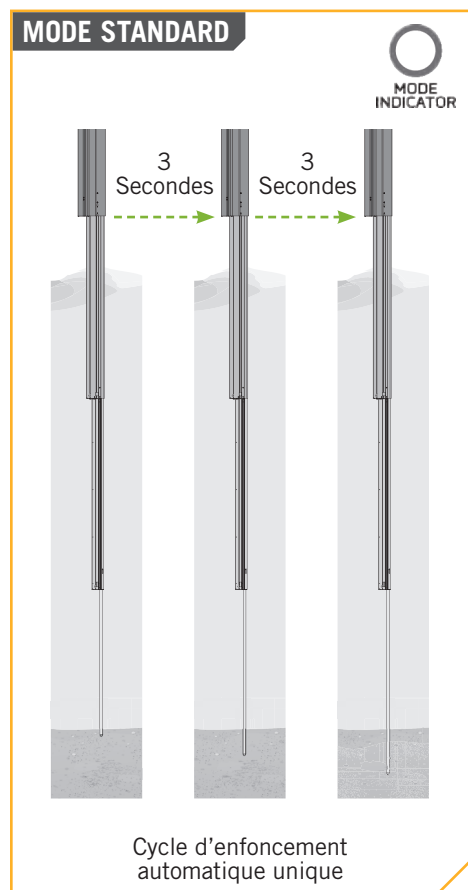
1. **Mode standard** - Le mode Standard est le mode d'ancrage par défaut pour le Talon. Lors de la sélection du mode Standard, la DEL d'indication de mode sur le panneau indicateur clignotera du rouge au vert, puis s'éteindra. En mode Standard, le déploiement automatique du Talon applique une force descendante maximale avec un cycle d'enfoncement automatique de trois coups séparés par trois secondes.

AVIS : Dans des conditions calmes ou sur des eaux au fond vaseux ou sableux, le Mode Fond mou permet d'éviter que le Talon ne s'ancre de manière excessive.

2. **Mode Fond mou** - En Mode Fond mou, la DEL d'indication de mode s'allumera en vert sur le panneau indicateur. En Mode Fond mou, le déploiement automatique appliquera une puissance réduite, en un seul coup.

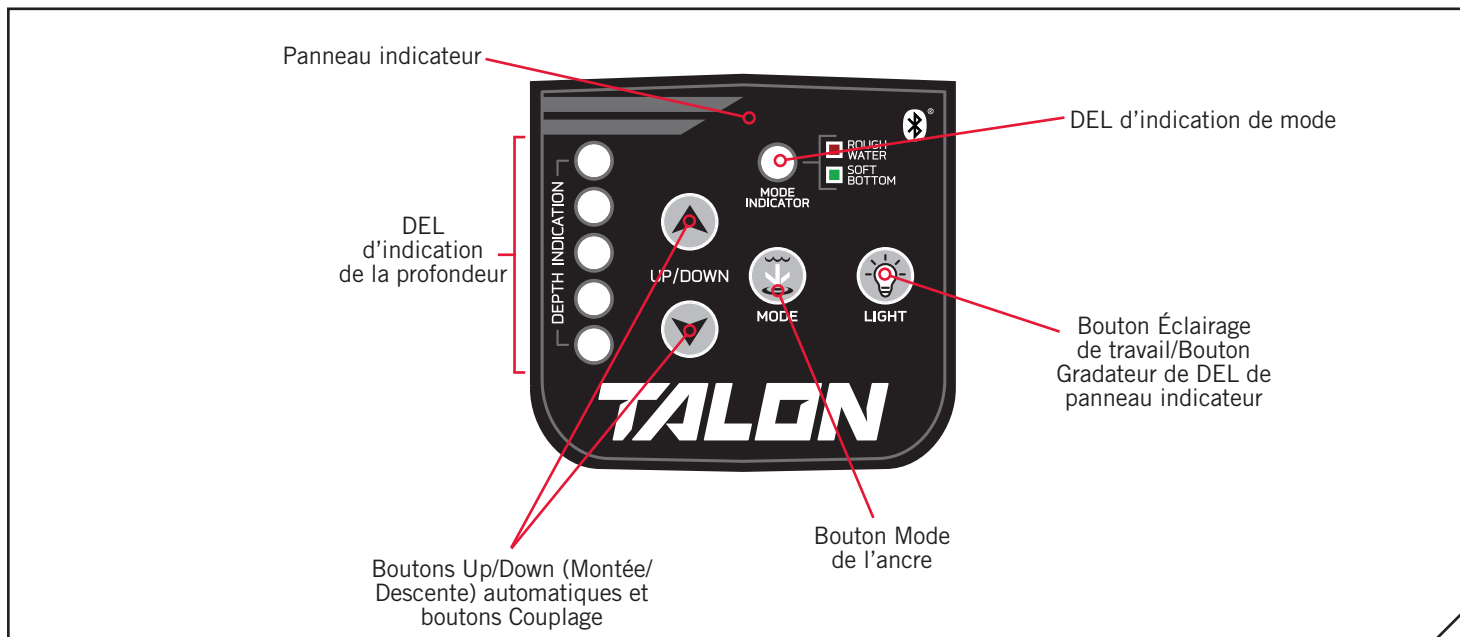
AVIS : Si on éteint puis qu'on rallume le Talon, il se « souviendra » de s'il était réglé au mode Standard ou au mode Fond mou lors de la dernière utilisation, et retournera à ce mode. Cependant, si on le laisse en mode Eaux agitées et qu'on éteint puis qu'on le rallume, il retournera au mode Standard. Cette fonction vise à empêcher un ancrage excessif du Talon.

3. **Mode Eaux agitées** - En mode Eaux agitées, la DEL d'indication de mode sur le panneau indicateur s'allume en rouge. En mode Eaux agitées, le déploiement automatique applique une force descendante maximale, avec trois cycles d'enfoncement automatique de trois coups chacun, séparés de 3 secondes. **Les trois cycles d'enfoncement automatique seront séparés de 10 secondes.**



UTILISATION DU TALON

CONTRÔLE DU TALON AVEC LE PANNEAU INDICATEUR



DEL d'indication de la profondeur

DEL qui indique la profondeur à laquelle le Talon est déployé, en pause ou rétracté. Chaque DEL représente des incréments de 20 %.



Boutons Up/Down (Montée/ Descente) automatiques et boutons Couplage



Servent à déployer, à rétracter ou à mettre en pause l'ancre du Talon. Sert à coupler le Talon à divers télécommandes et appareils ou à d'autres Talon grâce à Bluetooth.



Bouton Mode de l'ancre

Sert à choisir entre le mode Standard, le mode Fond mou et le mode Eaux agitées. Également appelé bouton Mode.



LIGHT

Bouton Éclairage de travail/ Bouton Gradateur de DEL de panneau indicateur

Sert à allumer et à éteindre l'éclairage de travail et à modifier la couleur et l'intensité de l'éclairage de travail. Sert également à modifier l'intensité de la DEL d'indication de la profondeur et la DEL d'indication de mode sur le panneau indicateur. Également appelé bouton Éclairage.



MODE INDICATOR

Indicateur de mode

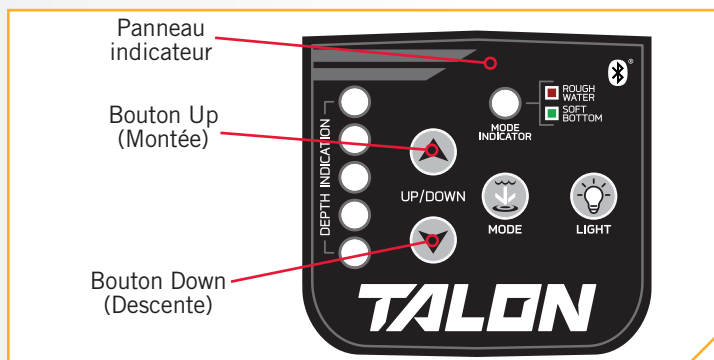
La DEL n'est pas allumée en mode Standard, est allumée en vert en mode Fond mou et est allumée en rouge en mode Eaux agitées.

1 Déployer le Talon grâce au panneau indicateur

Utilisez les boutons du panneau indicateur afin de déployer l'ancre Talon.

- a. Afin de déployer le Talon, appuyez sur le bouton Down (Descente) ▼ sur le panneau indicateur.
- b. Vous pouvez pauser le déploiement de l'ancre en appuyant à nouveau sur le bouton Up (Montée) ▲ ou en appuyant sur le bouton Down (Descente) ▼.
- c. Vous pouvez reprendre le déploiement mis en pause en appuyant à nouveau sur le bouton Down (Descente) ▼.
- d. Lorsque l'ancre de déploiement atteint sa longueur de déplacement totale ou touche le fond, elle exécutera une séquence d'ancrage déterminée par le mode actuel, puis s'arrêtera.

AVIS : Lorsque deux Talon sont couplés, pour contrôler un Talon de manière individuelle, il faut le déployer à partir de son propre panneau indicateur.



AVIS : Vous n'avez pas à garder le bouton enfoncé pour que le Talon continue à se déployer. Le Talon continuera automatiquement à se déployer lorsqu'on appuie sur le bouton, jusqu'à ce qu'il atteigne sa longueur de déploiement total, reçoive une commande d'arrêt ou termine l'ancrage.

AVIS : Les DEL d'indication de la profondeur affichent la profondeur de déploiement de l'ancre, en incréments de 20 %. Chaque DEL d'indication de la profondeur clignotera tandis que l'ancre traverse sa plage de profondeur et s'allumera de manière continue lorsque cette profondeur est dépassée. La première DEL d'indication de la profondeur clignotera en bleu dès que le Talon est déployé. Si, pour toute raison, l'ancre s'arrête dans les premiers 20 % de la séquence de déploiement, la DEL supérieure restera allumée sans clignoter. La DEL d'indication de la profondeur sera toujours allumée continuellement si le Talon n'est pas entièrement rétracté. La DEL d'indication de la profondeur inférieure s'allumera sans clignoter uniquement lorsque le Talon est déployé à 100 %.

⚠️ AVERTISSEMENT

Assurez-vous de garder tout objet ou partie du corps à distance du Talon pendant son fonctionnement. Le Talon est puissant et pourrait provoquer des situations périlleuses ou des blessures, pour vous ou les autres. Lorsque le Talon est en marche, être alerte pour les personnes qui nagent ou les objets flottants. Les personnes dont la capacité à faire fonctionner le Talon est affaiblie par l'alcool, la drogue, les médicaments ou d'autres substances ne sont pas autorisées à utiliser ce produit.

⚠️ ATTENTION

Le Talon est doté d'une alarme de notification de déploiement. Cette alarme est nécessaire à des fins de conformité aux exigences de la garantie. Lorsque bien installée, elle sonnera uniquement lorsque la clé de contact est en position de marche et que le Talon n'est pas complètement rétracté. Un Talon déployé peut avoir un effet sur le contrôle du bateau. Tenez compte de l'alarme et regardez toujours afin de vous assurer que le Talon est entièrement rétracté lors de l'utilisation du bateau.

UTILISATION DU TALON

› Rétraction du Talon grâce au panneau indicateur

Utilisez les boutons sur le panneau indicateur pour rétracter l'ancre Talon.

1

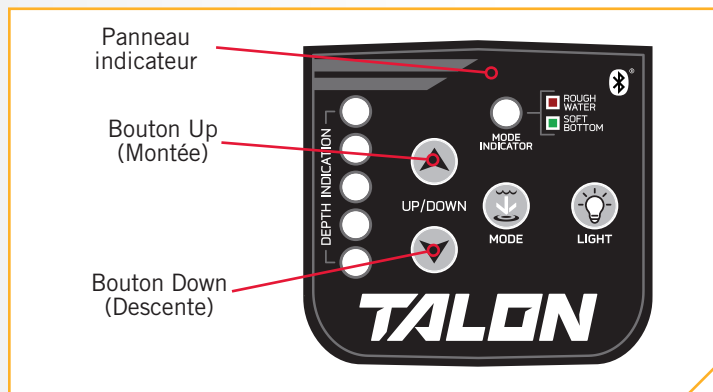
- Pour rétracter le Talon, appuyez sur le bouton Up (Montée) ▲ sur le panneau indicateur.
- Vous pouvez pauser la rétraction de l'ancre en appuyant à nouveau sur le bouton Up (Montée) ▲ ou en appuyant sur le bouton Down (Descente) ▼.
- Vous pouvez reprendre la rétraction mise en pause en appuyant à nouveau sur le bouton Up (Montée) ▲.
- Lorsque l'ancre Talon est entièrement rétractée, elle s'arrête. Si le Talon est déjà entièrement rétracté et qu'on appuie à nouveau sur le bouton Up (Montée) ▲, une tonalité d'erreur se fera entendre.

AVIS : Pour rétracter un Talon spécifique lorsque deux Talon sont couplés, l'ancre du Talon dont le panneau indicateur est utilisé sera rétractée.



ATTENTION

Assurez-vous que le Talon est à l'écart d'obstacles et de personnes lors de la rétraction. Les espaces entre les 3 étages du Talon peuvent créer un point de pincement. Ne touchez pas au Talon tandis qu'il se rétracte, afin d'éviter le point de pincement.





AVIS : Vous n'avez pas à garder le bouton enfoncé pour que l'ancre continue à se rétracter. Le Talon continuera à se rétracter automatiquement lorsqu'on appuie sur le bouton, jusqu'à ce qu'il soit entièrement rétracté ou qu'il reçoive une commande d'arrêt.

AVIS : Les DEL bleues sur le panneau indicateur sont une référence visuelle indiquant la profondeur actuelle de l'ancre Talon. Lisez la section « Utilisation du Talon » de ce manuel pour apprendre comment l'affichage DEL fonctionne.

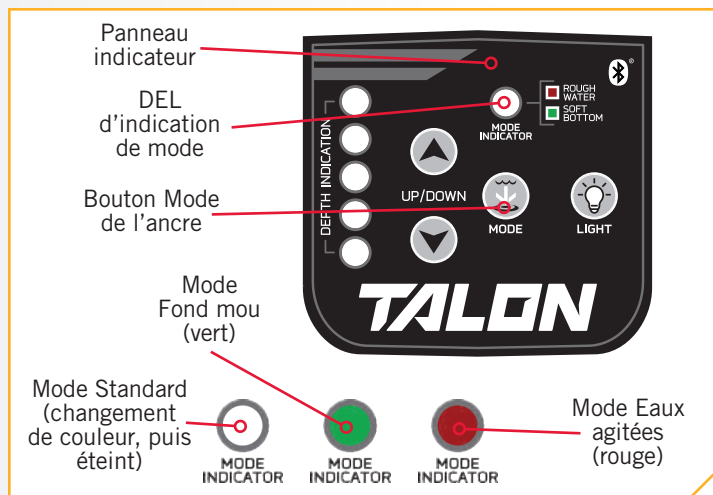
► Changement de mode grâce au panneau indicateur

Changez le mode sur le panneau indicateur lorsque les conditions d'ancrage ou d'eau changent, afin de convenir à vos besoins d'ancrage.

1

- a. On peut changer le mode grâce au panneau indicateur en utilisant le bouton Mode . La DEL d'indication de mode affiche le mode auquel le Talon est actuellement réglé. Appuyez sur le bouton Mode  pour passer au mode désiré.
- b. Lorsque la DEL ne présente aucune couleur, le Talon est en mode Standard. Lorsque la DEL est verte, le Talon est en Mode Fond mou. Lorsque la DEL est rouge, le Talon est en mode Eaux agitées.



AVIS : Lorsque le Talon est couplé à un autre Talon, appuyer sur le bouton Mode du Talon changera le mode pour les deux Talon. Lisez la section « Utilisation du Talon » de ce manuel pour en apprendre davantage sur les modes.




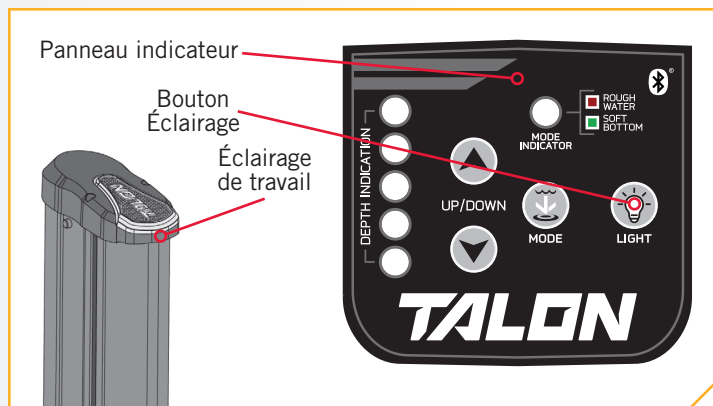
► Allumer et éteindre l'éclairage de travail grâce au panneau indicateur

L'éclairage de travail est une lampe accessoire se trouvant en haut du Talon. Lorsque l'éclairage de travail est allumé, les DEL peuvent être blanches ou bleues.

1

- a. Pour allumer l'éclairage de travail, appuyez sur le bouton Éclairage  sur le panneau indicateur. Pour éteindre l'éclairage de travail, attendez 5 secondes et appuyez à nouveau sur le bouton Éclairage .

AVIS : Lorsque le Talon est couplé à un autre Talon, appuyer sur le bouton Éclairage  du Talon allumera ou éteindra la lampe pour les deux Talon.



AVERTISSEMENT


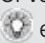

L'éclairage de travail du Talon n'est pas conçu à des fins de navigation. Il ne doit pas remplacer un bon éclairage de navigation de votre embarcation. Ne pas bien éclairer votre bateau pourrait mener à des blessures graves.

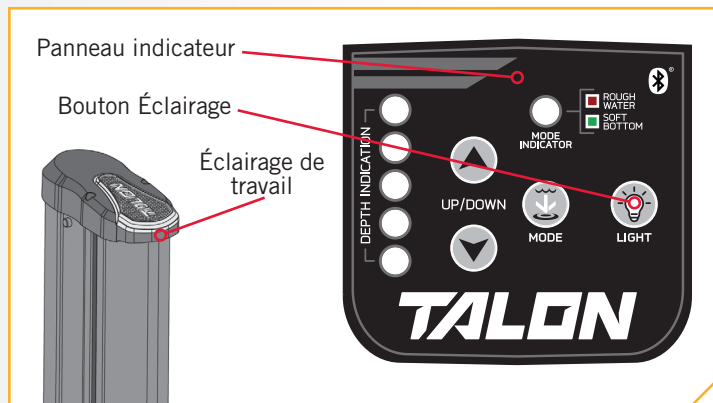
UTILISATION DU TALON

› Changer la couleur et l'intensité de l'éclairage de travail grâce au panneau indicateur

L'éclairage de travail du Talon possède des réglages d'intensité élevée, moyenne et faible, avec des DEL bleues et des DEL blanches. Lorsque l'éclairage de travail est allumé, les DEL peuvent être blanches ou bleues, puis on peut choisir un réglage d'intensité.

1




- Lorsque l'éclairage de travail est éteint, appuyez une fois sur le bouton Éclairage  sur le panneau indicateur pour allumer l'éclairage. L'éclairage s'allumera avec la dernière sélection de couleur et d'intensité d'éclairage utilisée.
- Si vous appuyez à nouveau sur le bouton Éclairage  en moins de 5 secondes, l'éclairage passe à l'intensité et/ou à la couleur suivantes. Continuez à appuyer sur le bouton Éclairage  jusqu'à l'obtention de l'éclairage désiré. S'il s'écoule plus de 5 secondes entre deux utilisations du bouton, le réglage de couleur et d'intensité actuel sera enregistré, et l'éclairage de travail s'éteindra plutôt que de passer à la sélection suivante.




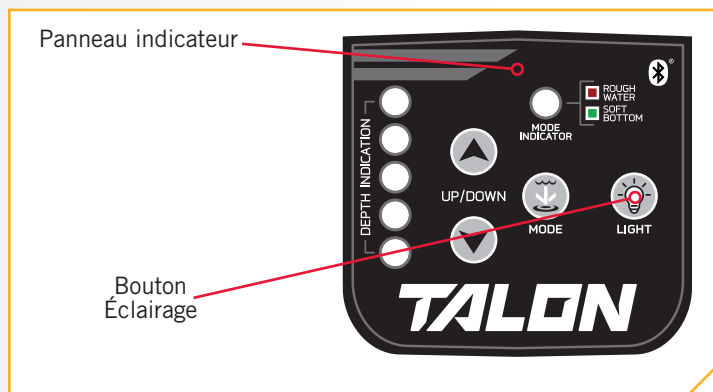
› Modifier l'intensité des DEL grâce au panneau indicateur

Par défaut, les DEL du panneau indicateur sont au réglage le plus puissant. Vous pouvez modifier l'intensité des DEL selon vos préférences personnelles ou les conditions d'éclairage ambiantes. Il y a trois intensités pour les DEL : élevée, moyenne et faible.

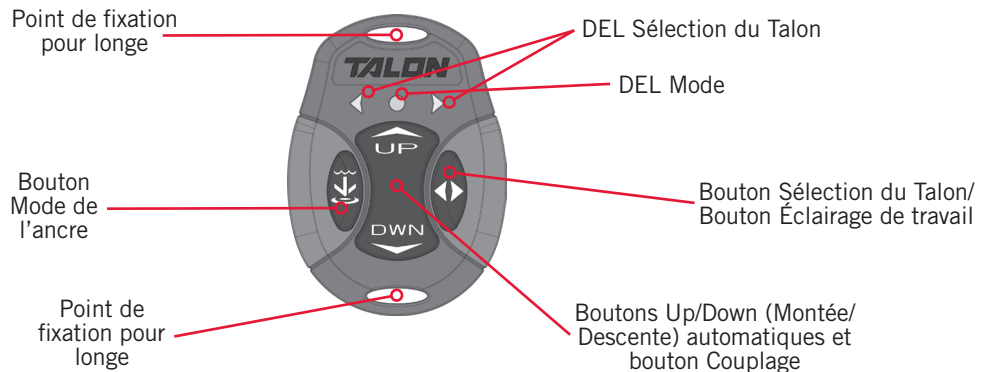
1

- Appuyez et gardez le bouton Éclairage  enfoncé pendant 2 secondes.
- Garder le bouton Éclairage  enfoncé fera en sorte que les DEL du panneau indicateur passent par les 3 différentes intensités, soit élevée, moyenne et faible. Relâchez le bouton Éclairage  lorsque vous avez atteint l'intensité souhaitée.

AVIS : Le bouton Éclairage  sur le panneau indicateur est la seule manière de modifier l'intensité des DEL dans le panneau. Par défaut, les DEL sont réglées à l'intensité la plus élevée.



CONTRÔLE DU TALON AVEC LA TÉLÉCOMMANDE >



Bouton Mode de l'ancre

Sert à choisir entre le mode Standard, le mode Fond mou et le mode Eaux agitées.



Boutons Up/Down (Montée/ Descente) automatiques et boutons Couplage

Servent à déployer, à rétracter ou à mettre en pause l'ancre du Talon. Servent également à coupler la télécommande à un Talon.



Bouton Sélection du Talon/ Bouton Éclairage de travail

Servent à sélectionner le Talon de bâbord, de tribord ou les deux. Servent à allumer et à éteindre l'éclairage de travail et à modifier la couleur et l'intensité de l'éclairage de travail.



DEL Sélection du Talon

Lorsque 2 Talon sont couplés dans le système, la DEL droite s'allume lorsque le Talon de tribord est sélectionné et la DEL gauche s'allume lorsque le Talon de bâbord est sélectionné. Les flèches de gauche et de droite sont allumées lorsque les deux Talon sont sélectionnés. Lorsqu'un seul Talon est couplé, les voyants clignoteront, mais la sélection contrôlera le seul Talon couplé. Lors d'une sélection, les DEL resteront allumées pendant 1 seconde puis s'éteindront.



DEL Sélection de mode


Pour le mode Standard, la DEL centrale clignote en rouge et en vert, puis s'éteint. La DEL centrale s'allume en vert pour le mode Fond mou et en rouge pour le mode Eaux agitées. En mode Fond mou et en mode Eaux agitées, la DEL reste allumée pendant 1 seconde puis s'éteint.

ATTENTION


Ne jamais laisser le bateau sans surveillance avec le Talon comme seule ancre. Le Talon n'est pas destiné à fournir l'ancrage principal. Cela comprend l'utilisation de la télécommande à une distance sécuritaire. Il n'est pas recommandé de quitter le bateau lors de l'utilisation du Talon avec la télécommande. Le propriétaire le ferait à ses propres risques. Ce produit ne vous exonère pas de la responsabilité de naviguer de façon sécuritaire avec votre bateau.

UTILISATION DU TALON

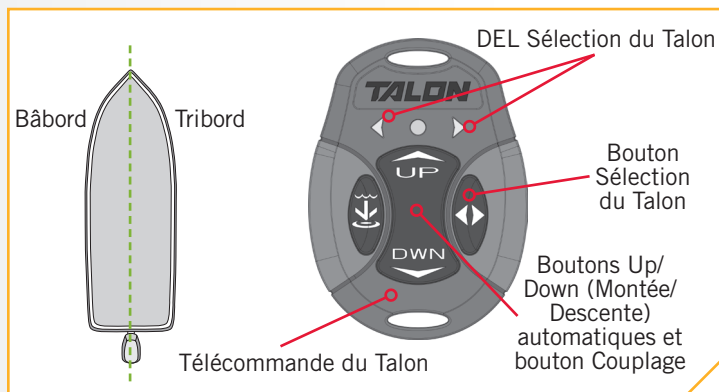
➤ Sélection d'un Talon à commander avec la télécommande

Le bouton Sélection du Talon  change le Talon contrôlé par la télécommande, lorsque 2 Talon sont installés sur le bateau. La sélection passe entre un Talon monté du côté bâbord ou tribord du bateau, ou peut servir à contrôler les deux Talon à la fois. Les DEL Sélection du Talon s'allument selon la sélection effectuée.

1

- a. Pour changer le Talon sélectionné, appuyez sur le bouton Sélection du Talon  de manière répétée, jusqu'à ce que le Talon désiré soit sélectionné.
- b. Lorsqu'on appuie sur le bouton, une des DEL Sélection du Talon s'allumera. Si la télécommande est orientée de manière à ce que les DEL soient vers le haut, la flèche à la droite s'allumera lorsqu'on sélectionne le Talon de tribord. Si la flèche à la gauche est allumée, le Talon de bâbord est sélectionné. Si les DEL des deux flèches sont allumées, les deux Talon sont sélectionnés.

AVIS : Lorsque deux Talon sont couplés à la télécommande, les ancres pourraient ne pas être synchronisées lors du déploiement et de la rétraction.







AVIS : La télécommande du Talon se souviendra toujours de la dernière sélection effectuée à moins que l'alimentation de la télécommande ou du Talon ne soit coupée.

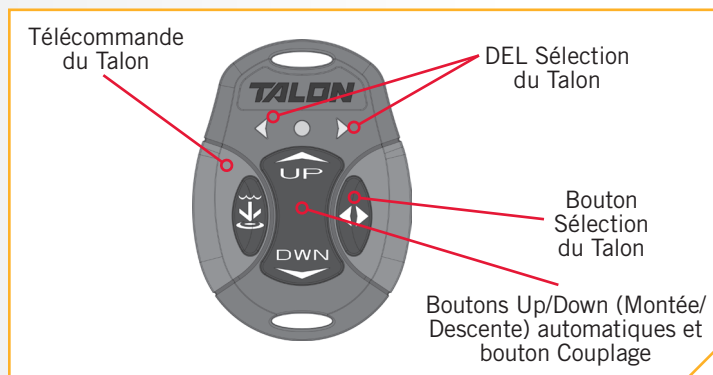
› Déployer le Talon grâce à la télécommande

Utilisez les boutons de la télécommande afin de déployer l'ancre Talon.

1

- Pour déployer le Talon, appuyez deux fois sur le bouton Down (Descente)  sur la télécommande.
- Vous pouvez mettre en pause le déploiement de l'ancre grâce à la télécommande, soit en appuyant à nouveau sur le bouton Down (Descente) , soit en appuyant sur le bouton Up (Montée) .
- Vous pouvez reprendre le déploiement mis en pause en appuyant à nouveau deux fois sur le bouton Down (Descente) .
- Lorsque l'ancre de déploiement atteint sa longueur de déplacement totale ou touche le fond, elle exécutera une séquence d'ancrage déterminée par le mode actuel, puis s'arrêtera.

AVIS : Lorsque deux Talon sont couplés, l'ancre du Talon sélectionné s'affichera. La sélection peut être bâbord, tribord ou les deux.



AVIS : Vous n'avez pas à garder le bouton enfoncé pour que le Talon continue à se déployer. Le Talon continuera automatiquement à se déployer lorsqu'on appuie sur le bouton, jusqu'à ce qu'il atteigne sa longueur de déploiement totale, qu'il reçoive une commande d'arrêt ou qu'il termine l'ancrage.

AVIS : Les DEL d'indication de la profondeur affichent la profondeur de déploiement de l'ancre, en incréments de 20 %. Chaque DEL d'indication de la profondeur clignotera tandis que l'ancre traverse sa plage de profondeur et s'allumera de manière continue lorsque cette profondeur est dépassée. La première DEL d'indication de la profondeur clignotera en bleu dès que le Talon est déployé. Si, pour toute raison, l'ancre s'arrête dans les premiers 20 % de la séquence de déploiement, la DEL supérieure restera allumée sans clignoter. La DEL d'indication de la profondeur sera toujours allumée continuellement si le Talon n'est pas entièrement rétracté. La DEL d'indication de la profondeur inférieure s'allumera sans clignoter uniquement lorsque le Talon est déployé à 100 %.

AVERTISSEMENT

Assurez-vous de garder tout objet ou partie du corps à distance du Talon pendant son fonctionnement. Le Talon est puissant et pourrait provoquer des situations périlleuses ou des blessures, pour vous ou les autres. Lorsque le Talon est en marche, être alerte pour les personnes qui nagent ou les objets flottants. Les personnes dont la capacité à faire fonctionner le Talon est affaiblie par l'alcool, la drogue, les médicaments ou d'autres substances ne sont pas autorisées à utiliser ce produit.

ATTENTION






Le Talon est doté d'une alarme de notification de déploiement. Cette alarme est nécessaire à des fins de conformité aux exigences de la garantie. Lorsque bien installée, elle sonnera uniquement lorsque la clé de contact est en position de marche et que le Talon n'est pas complètement rétracté. Un Talon déployé peut avoir un effet sur le contrôle du bateau. Tenez compte de l'alarme et regardez toujours afin de vous assurer que le Talon est entièrement rétracté lors de l'utilisation du bateau.

UTILISATION DU TALON

➤ Rétraction du Talon grâce à la télécommande

Utilisez les boutons sur la télécommande pour rétracter l'ancre Talon.

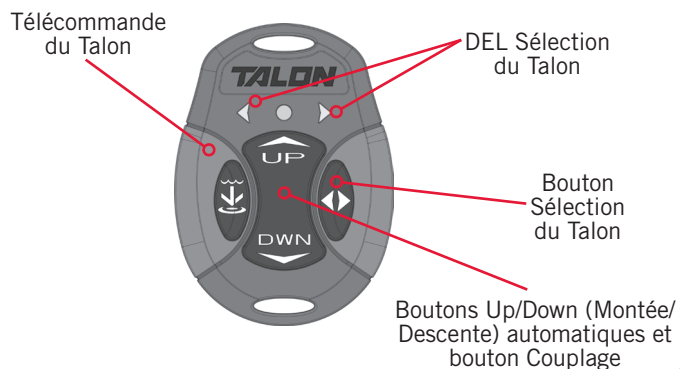
1

- Pour rétracter le Talon, appuyez sur le bouton Up (Montée)  de la télécommande.
- Vous pouvez mettre en pause la rétraction de l'ancre grâce à la télécommande, en appuyant soit sur le bouton Up (Montée)  ou le bouton Down (Descente) .
- Vous pouvez reprendre la rétraction mise en pause en appuyant à nouveau sur le bouton Up (Montée) .
- Lorsque l'ancre Talon sera entièrement rétractée, elle s'arrêtera. Si le Talon est déjà entièrement rétracté et qu'on appuie à nouveau sur le bouton Up (Montée) , une tonalité d'erreur se fera entendre.

AVIS : Lors du couplage de deux Talon, l'ancre du Talon sélectionné sur la télécommande sera rétractée. La sélection peut être bâbord, tribord ou les deux.

ATTENTION

Assurez-vous que le Talon est à l'écart d'obstacles et de personnes lors de la rétraction. Les espaces entre les 3 étages du Talon peuvent créer un point de pincement. Ne touchez pas au Talon tandis qu'il se rétracte, afin d'éviter le point de pincement.





AVIS : Vous n'avez pas à garder le bouton enfoncé pour que l'ancre continue à se rétracter. Le Talon continuera à se rétracter automatiquement lorsqu'on appuie sur le bouton, jusqu'à ce qu'il soit entièrement rétracté ou qu'il reçoive une commande d'arrêt.

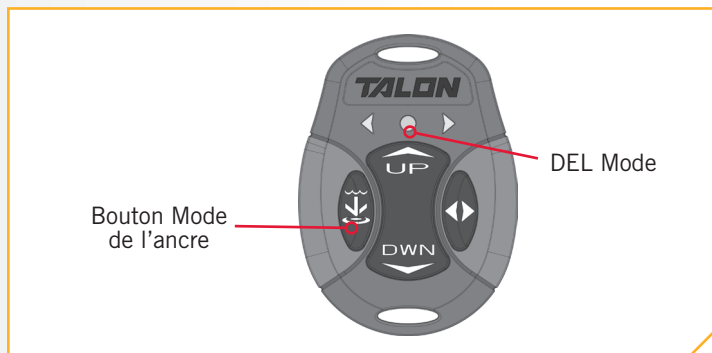
AVIS : Les DEL bleues sur le panneau indicateur sont une référence visuelle indiquant la profondeur actuelle de l'ancre Talon. Lisez la section « Utilisation du Talon » de ce manuel pour apprendre comment l'affichage DEL fonctionne.


► Changement de mode grâce à la télécommande

Changez le mode sur la télécommande lorsque les conditions d'ancrage ou d'eau changent, afin de convenir à vos besoins d'ancrage.

1

- On peut changer le mode grâce à la télécommande en utilisant le bouton Mode de l'ancre . La DEL Mode affiche le mode auquel le Talon est actuellement réglé. Appuyez sur le bouton Mode de l'ancre  pour passer au mode désiré.
- Lorsque le Talon est mis en mode Standard, la DEL clignotera en rouge et en vert, puis s'éteindra. Lorsque la DEL est verte, le Talon est en Mode Fond mou. Lorsque la DEL est rouge, le Talon est en mode Eaux agitées.






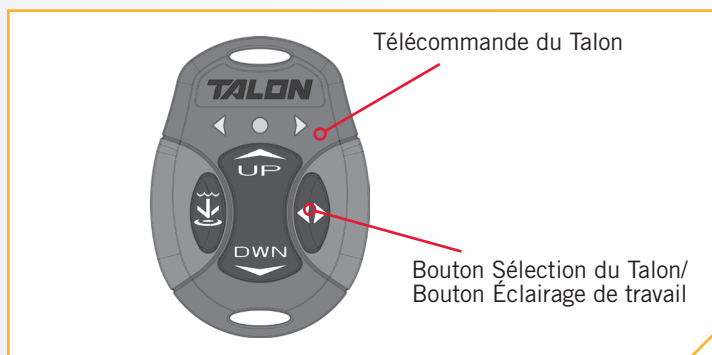
AVIS : Lorsque le Talon est couplé à un autre Talon, appuyer sur le bouton Mode de l'ancre  du Talon changera le mode pour les deux Talon. Lisez la section « Utilisation du Talon » de ce manuel pour en apprendre davantage sur les modes.


► Contrôler l'éclairage de travail avec la télécommande

L'éclairage de travail en haut du Talon peut être de couleur blanche ou bleue et peut être réglé à une intensité élevée, moyenne ou faible.

1

- Pour allumer l'éclairage de travail, appuyez sur le bouton Sélection du Talon  et gardez-le enfoncé jusqu'à ce que l'éclairage de travail en haut du Talon s'allume.
- Appuyez à nouveau sur le bouton Sélection du Talon  sur la télécommande avant que 5 secondes ne se soient écoulées, jusqu'à ce que la couleur et l'intensité souhaitées soient sélectionnées.
- Pour éteindre l'éclairage de travail, appuyez sur le bouton Sélection du Talon  et gardez-le enfoncé jusqu'à ce que l'éclairage de travail en haut du Talon s'éteigne.



AVIS : Lorsque le Talon est couplé à un autre Talon, appuyer sur le bouton Sélection du Talon  et le garder enfoncé allumera ou éteindra l'éclairage pour les deux Talon. Les six intensités et couleurs de l'éclairage de travail sont blanche élevée, blanche moyenne, blanche faible, bleue élevée, bleue moyenne et bleue faible.

AVERTISSEMENT

L'éclairage de travail du Talon n'est pas conçu à des fins de navigation. Il ne doit pas remplacer un bon éclairage de navigation de votre embarcation. Ne pas bien éclairer votre bateau pourrait mener à des blessures graves.

APPLICATION TALON

Minn Kota offre une application Talon qui peut être utilisée pour contrôler et mettre à jour le Talon au moyen d'un appareil compatible avec BluetoothMD. L'application Talon peut être téléchargée pour les appareils iOS grâce au magasin Apple App ou pour les appareils Android grâce au magasin Google Play.



Écran d'accueil de l'application Talon



AVIS : Les spécifications peuvent faire l'objet de modifications sans préavis. Le schéma est fourni aux fins de référence seulement et peut différer de votre interface d'application actuelle. L'application Talon fonctionnera seulement avec les Talon compatibles avec BluetoothMD. Assurez-vous de télécharger la bonne application, car les autres applications de Minn KotaMD ne fonctionneront pas avec votre Talon.

EN-TÊTE >



Menu

Quand vous le sélectionnez, le Menu offre des options supplémentaires permettant de contrôler la couleur de l'éclairage de travail et son intensité, de faire des mises à jour du logiciel et de revoir le guide de configuration. Il offre aussi contrôle et soutien supplémentaires pour le produit.

AVIS : Lorsque l'appareil n'est pas connecté à un Talon, le menu offrira l'option d'entrer en Demo Mode (Mode de démonstration). Une fois l'appareil connecté à un Talon, le Demo Mode (mode de démonstration) se ferme, et l'option n'est plus disponible.

BOUTONS DE L'APPLICATION >



Montée automatique

Pour rétracter l'ancre.



Descente automatique

Pour déployer l'ancre. Vous devez appuyer dessus deux fois pour l'engager.



Pause

Quand vous appuyez dessus, l'action en cours est interrompue. Le(s) Talon(s) restera/resteront à la profondeur actuelle jusqu'à ce qu'une autre commande soit émise. Vous pouvez interrompre tant le déploiement que la rétraction de l'ancre. Le bouton Pause peut s'afficher au lieu des boutons Montée automatique ou Descente automatique; au cours d'un déploiement ou d'une rétraction, ils disparaîtront quand vous appuyez dessus pendant que l'unité est interrompue.



Indication de la profondeur

Incrémente la profondeur de déploiement ou de rétraction du Talon. L'espacement des incréments varie selon qu'un Talon de 8 pi (2,4 m), de 10 pi (3 m), de 12 pi (3,6 m) ou de 15 pi (4,6 m) est contrôlé.



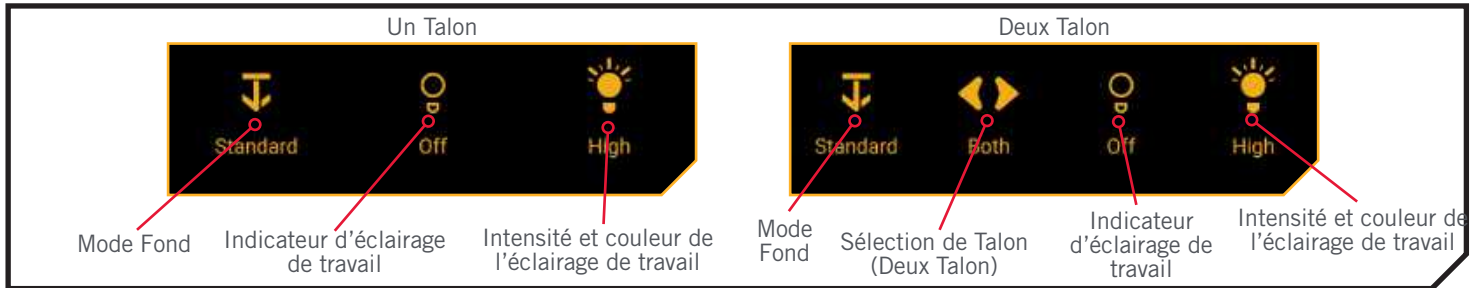
AVERTISSEMENT

Vous seul êtes responsable de la navigation sécuritaire et prudente sur votre bateau. Ce produit ne vous exonère pas de la responsabilité de naviguer en toute sécurité avec votre bateau.

Vous devez éviter les dangers liés à la navigation et toujours exercer une veille permanente afin de pouvoir réagir au fur et à mesure que les situations se présentent. Vous devez toujours être prêt à reprendre le contrôle manuel de votre bateau.

APPLICATION TALON

PIED DE PAGE >



Mode standard

Le mode Standard est le mode d'ancrage par défaut pour le Talon. En mode Standard, le déploiement automatique du Talon applique une force descendante maximale avec un cycle d'enfoncement automatique de trois coups séparés par trois secondes. Lors de la sélection du mode Standard, la DEL d'indication de mode sur le panneau indicateur clignotera du rouge au vert, puis s'éteindra.

AVIS : Si on éteint puis qu'on rallume le Talon, il se « souviendra » de s'il était réglé au mode Standard ou au mode Fond mou lors de la dernière utilisation, et retournera à ce mode. Cependant, si on le laisse en mode Eaux agitées et qu'on éteint puis qu'on le rallume, il retournera au mode Standard. Cette fonction vise à empêcher un ancrage excessif du Talon.



Mode Eaux agitées

En mode Eaux agitées, la DEL d'indication de mode sur le panneau indicateur s'allume en rouge. En mode Eaux agitées, le déploiement automatique applique une force descendante maximale, avec trois cycles d'enfoncement automatique de trois coups chacun, séparés de 3 secondes. **Les trois cycles d'enfoncement automatique seront séparés de 10 secondes.**



Mode Fond mou

En Mode Fond mou, le déploiement automatique appliquera une puissance réduite, en un seul coup. Dans des conditions calmes ou sur des eaux au fond vaseux ou sableux, le Mode Fond mou permet d'éviter que le Talon ne s'ancre de manière excessive. En Mode Fond mou, la DEL d'indication de mode s'allumera en vert sur le panneau indicateur.



Sélection des Talon - les deux

Indique que les Talon à bâbord et à tribord sont sélectionnés et seront contrôlés durant le fonctionnement. Appuyez dessus pour basculer entre le Talon gauche, celui de droite et les deux.

AVIS : Les options de sélection des Talon sont visibles seulement quand le Talon a été configuré pour contrôler deux Talon.

Cette option se voit seulement quand l'application est configurée pour contrôler deux Talon.



Sélection du Talon - Gauche

Indique que le Talon gauche est sélectionné et sera contrôlé durant le fonctionnement. Par défaut, le Talon gauche est le Talon à bâbord quand il y a plusieurs Talon d'installés et de couplés. Cela se change sur le menu de l'application. Appuyez dessus pour basculer entre le Talon gauche, celui de droite et les deux.



Sélection de Talon - Droit

Indique que le Talon droit est sélectionné et sera contrôlé durant le fonctionnement. Par défaut, le Talon droit est le Talon à tribord quand il y a plusieurs Talon d'installés et de couplés. Cela se change sur le menu de l'application. Appuyez dessus pour basculer entre le Talon gauche, celui de droite et les deux.



Éclairage de travail allumé

Indique que l'éclairage de travail du Talon est allumé (on/allumé). Appuyez dessus pour éteindre (off/éteint).



Éclairage de travail éteint

Indique que l'éclairage de travail du Talon est éteint (off/éteint). Appuyez dessus pour allumer (on/allumé).



Intensité de l'éclairage de travail - Faible

Indique que l'intensité de l'éclairage de travail est faible.



Intensité de l'éclairage de travail - Moyenne

Indique que l'intensité de l'éclairage de travail est moyenne.



Intensité de l'éclairage de travail - Élevée

Indique que l'intensité de l'éclairage de travail est élevée.

AVIS : Quand vous appuyez sur le bouton d'intensité de l'éclairage de travail, le menu de couleur de l'éclairage s'affichera. Depuis le menu, vous pouvez faire basculer la couleur de l'éclairage de travail entre blanche et bleue. L'indicateur d'intensité de l'éclairage de travail est jaune quand la couleur est blanche et bleu quand la couleur est bleue.

LANCEMENT DE L'APPLICATION ET DU DEMO MODE (MODE DÉMONSTRATION) >

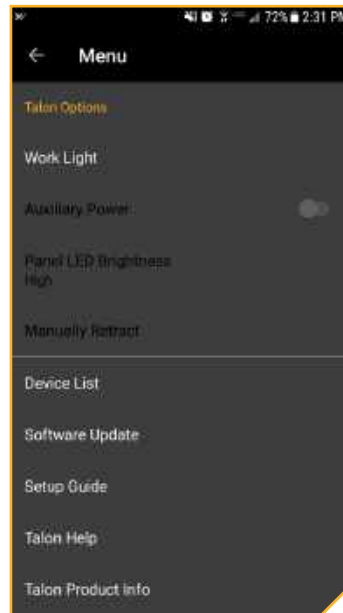
Lancer l'application lorsqu'elle n'est pas couplée au Talon vous permettra de l'essayer en Demo Mode (Mode de démonstration). La première fois que l'application est lancée, vous devez accepter la renonciation de responsabilité avant de pouvoir continuer. Familiarisez-vous avec les écrans de l'application afin de comprendre comment faire fonctionner votre Talon avec l'application.



L'écran de renonciation s'affiche quand vous lancez l'application la première fois.



Le guide de configuration s'affiche après la renonciation quand l'appareil n'est pas couplé ou ne communique pas activement avec un Talon.



Le menu affiche diverses options permettant de contrôler le Talon. Si les Talon sont couplés et le nombre de Talon couplés détermine les options.



L'écran de contrôle du Talon quand un Talon est couplé à l'appareil. L'écran est légèrement différent quand il y a deux appareils de couplés.

APPLICATION TALON

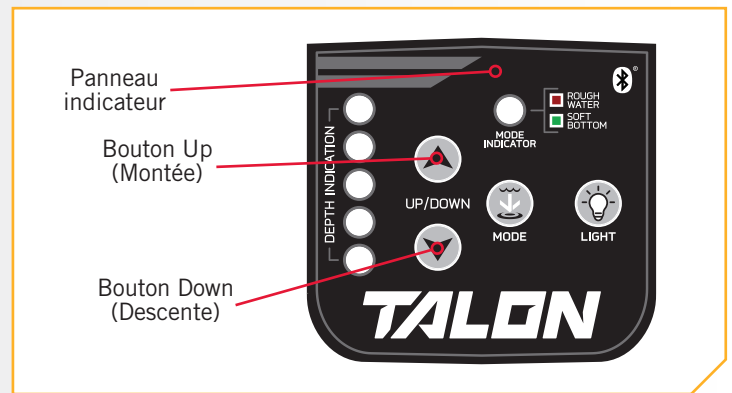
COMMENCER >

> Coupler un appareil et un Talon

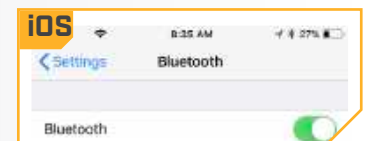
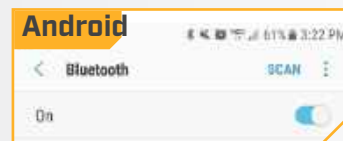
L'application Talon peut servir à contrôler le Talon au moyen d'un appareil couplé à un Talon au moyen d'une connexion Bluetooth. Avant de coupler l'appareil à un Talon, il faut d'abord télécharger l'application. Vous pouvez confirmer que l'application a bien été téléchargée en l'ouvrant dans votre appareil. Ceci fait, fermez l'application et lancez le processus de couplage.

AVIS : Votre appareil pourra seulement se connecter à un Talon et y être couplé si l'appareil compatible avec Bluetooth est activé. Vous ne pourrez coupler votre appareil qu'à un Talon compatible avec Bluetooth.

- 1 a. Dans l'appareil que vous voulez coupler au Talon, mettez Bluetooth « en circuit » (on) et gardez votre appareil à cet écran-là.
- b. Rétractez l'ancre du Talon en appuyant sur le bouton Up ▲ (Montée) sur le panneau indicateur.
- c. Une fois le Talon entièrement rétracté, appuyez simultanément sur le bouton Up ▲ (Montée) et le bouton Down ▼ (Descente) sur le panneau indicateur et gardez-les enfoncés. Les DEL d'indication de la profondeur se mettront à clignoter en bleu. Lorsque les DEL clignotent, relâchez les boutons sur le panneau indicateur. Le Talon passera au mode Couplage pendant 30 secondes.



- 2 d. Dans un appareil Android, sélectionnez le bouton Scan (Chercher) pour lancer le processus. Dans un appareil iOS, quand le menu Bluetooth s'affiche, la recherche commence automatiquement. Le Talon s'affiche dans la liste des appareils disponibles une fois que l'appareil est reconnu.
- e. Sélectionnez le Talon dans la liste des appareils disponibles. Le Talon et l'appareil sont alors couplés. Une fois que vous entendez des bips, le couplage au Talon s'est fait avec succès.



AVIS : Quand l'appareil Bluetooth cherche le Talon, le Talon doit être en mode Pairing (Couplage). S'il y a temporisation du Talon ou de l'appareil, vous devez réinitialiser le processus pour les deux.

- 3 f. Afin que l'appareil et le Talon restent connectés, Bluetooth doit rester activé (on). Une fois l'appareil couplé au Talon, ils se connecteront et commenceront à communiquer. Quand le Talon est couplé à l'appareil et communique avec, l'application Talon reconnaît automatiquement que le Talon est couplé.
- g. Si le couplage échoue, recommencez le processus.

AVIS : Quand un appareil est couplé au Talon, l'appareil couplé et le Talon se connaissent. Quand un appareil et un Talon sont connectés, ils peuvent communiquer activement l'un avec l'autre. Pour que l'application Talon détecte le Talon, elle doit être couplée et communiquer avec le Talon.

› Coupler un appareil à deux Talon

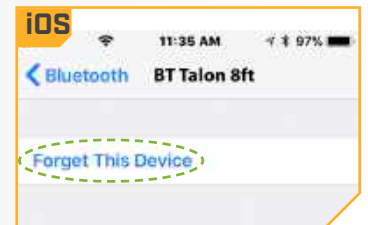
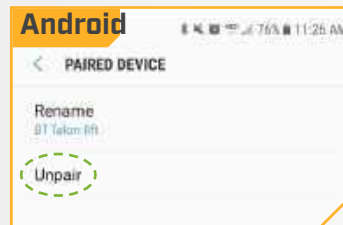
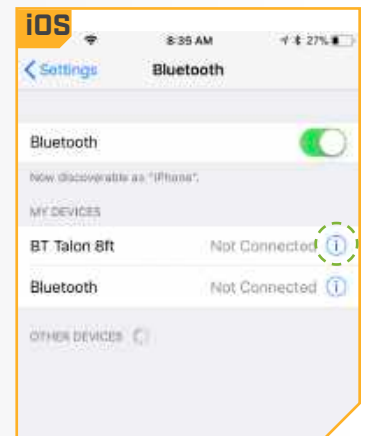
Pour que l'application Talon couple deux Talon à l'appareil, les Talon doivent d'abord être couplés l'un avec l'autre. Pour savoir comment coupler deux Talon l'un avec l'autre, lisez la section « Pairing Two Talon and Programming the Mounting Location » (Coupler deux Talon et programmer l'emplacement de montage) du manuel Talon. Une fois les Talon couplés l'un avec l'autre, suivez les instructions « Pairing a Device with a Single Talon » (Coupler un appareil et un Talon). Un Talon seulement doit être couplé à l'appareil là où l'application Talon est installée.

› Oublier un Talon dans un appareil

Une fois un appareil couplé avec un Talon, il se souviendra de l'appareil même si l'appareil et le Talon ne communiquent pas activement. Dans certains cas, il se peut que vous deviez effacer la mémoire d'un appareil et oublier tout Talon couplé. Pour ce faire, utilisez les paramètres Bluetooth de l'appareil.

1

- a. Ouvrez les paramètres Bluetooth de l'appareil.
- b. Une liste des appareils couplés s'affiche. L'apparence de la liste d'un appareil Android ou iOS différera.
- c. Dans un appareil Android, sélectionnez l'icône Settings (Paramètres) à côté de l'appareil dans la liste Paired Devices (Appareils couplés). Quand l'écran suivant s'affiche, trouvez l'option Unpair (Découpler), puis sélectionnez-la.
- d. Dans un appareil iOS, sélectionnez l'icône « i » ⓘ contre l'appareil dans la liste My Devices (Mes appareils). Quand l'écran suivant s'affiche, trouvez l'option Forget (Oublier), puis sélectionnez-la.
- e. Une fois l'appareil découplé ou oublié, il ne peut plus être couplé ni communiquer avec l'appareil et il ne figurera plus dans l'application Talon ou l'appareil.



› Contrôle du Talon et désactivation du verrouillage automatique

La plupart des appareils sont programmés pour verrouiller automatiquement l'écran de l'appareil après qu'il a été inactif pendant un certain temps. Quand l'utilisateur avait laissé l'application Talon ouverte pour contrôler le Talon et qu'il revient à l'appareil, il se peut que l'écran soit verrouillé. Pour contrôler le Talon, l'appareil doit d'abord être déverrouillé pour que le Talon puisse être contrôlé au moyen de l'application. La fonction de verrouillage automatique peut être désactivée pour que le Talon puisse être contrôlé immédiatement après qu'il a été inactif. Pour activer (on) le verrouillage automatique, ouvrez l'application Talon et naviguez jusqu'au menu. Faites dérouler l'écran vers le bas et repérez le paramètre Disable Auto-Lock (Désactiver le verrouillage automatique). Quand la touche de commutation est active (on) et jaune, la fonction de désactivation du verrouillage automatique est active et empêchera que l'écran de l'appareil se verrouille dans les moments d'inactivité. Quand cette fonction est activée, l'appareil peut servir à contrôler le Talon immédiatement.

APPLICATION TALON

› Vérifier la version de l'application et du logiciel du Talon de l'application

Quand un Talon est couplé à un appareil, l'application Talon de l'appareil enregistre de l'information sur le(s) Talon(s) couplé(s), y compris la version du logiciel installée. Cette information peut servir à déterminer si le logiciel d'un Talon doit être mis à jour. Pour vérifier la version du logiciel du/des Talon(s) couplé(s), exécutez les étapes suivantes.

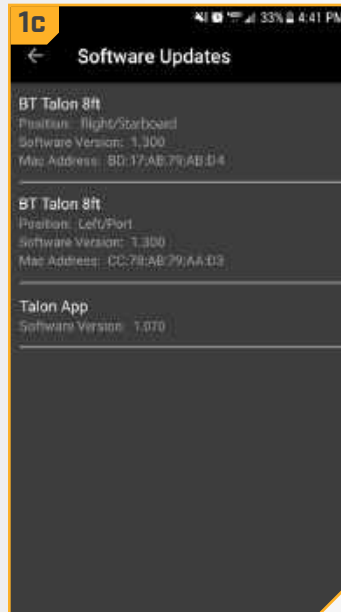
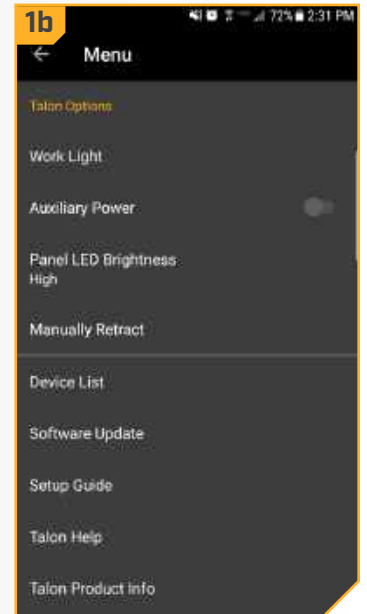
1

- a. Depuis l'écran d'accueil de l'application Talon, appuyez sur le bouton Menu.
- b. À l'écran du menu, trouvez l'option Software Update (Mise à jour du logiciel) et sélectionnez-la.
- c. L'écran de mise à jour du logiciel s'affiche. La liste des logiciels indique s'il y a des Talon de couplés à l'application et la version du logiciel de l'application Talon.

AVIS : Noter la version de l'application avant et après les mises à jour aidera à déterminer si les mises à jour ont réussi.

AVIS : Si l'application ne peut communiquer directement avec le Talon, elle indiquera la version du logiciel détectée la dernière fois que l'appareil a été couplé et a communiqué avec le Talon.

- d. Si aucun Talon n'est couplé, la liste indiquera seulement l'information pour l'application Talon. Si les Talon sont couplés et communiquent, le nom de chaque appareil sera blanc. Si les Talon sont couplés, mais ne communiquent pas, le nom de chaque appareil sera gris.



iOS >

> Mettre un Talon à jour depuis l'application Talon avec iOS

Les mises à jour du logiciel du Talon se font depuis l'application Talon. Le Talon doit être couplé et communiquer avec l'appareil au moyen d'une connexion Bluetooth pour que le Talon soit mis à jour. Exécutez ces étapes quand vous utilisez iOS pour un Talon.

1

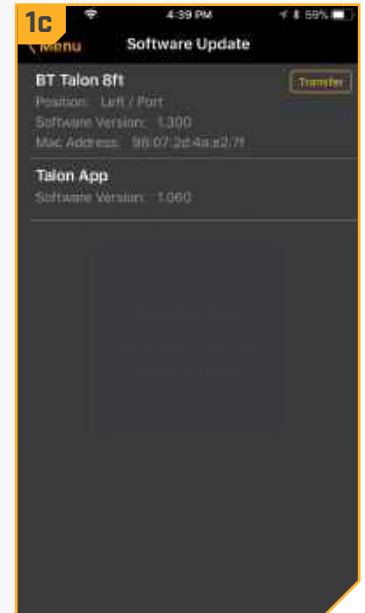
- a. Confirmez que le Talon est couplé à l'appareil et communique avec. Ceci fait, ouvrez l'application Talon.

AVIS : Si l'application contient une mise à jour critique pour le Talon plus récente que le Talon auquel elle est couplée, l'application vous obligera à mettre le Talon à jour.

- b. Si l'application reconnaît qu'elle est plus à jour que le Talon, un message Software Update Required (Mise à jour du logiciel requise) s'affichera à l'écran. L'application Talon vous offrira la possibilité de mettre le logiciel à jour ou de passer en Demo Mode (mode de démonstration). Sélectionnez Update Software (Mise à jour du logiciel) pour ce faire.

AVIS : Si vous choisissez de passer en Demo Mode (mode de démonstration), vous pouvez mettre le Talon à jour plus tard en sélectionnant l'icône Menu, puis en choisissant l'option Software Update (Mise à jour du logiciel) depuis la liste Menu.

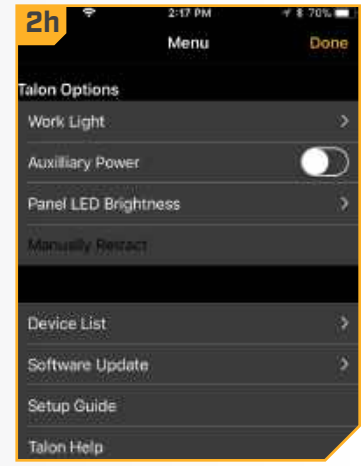
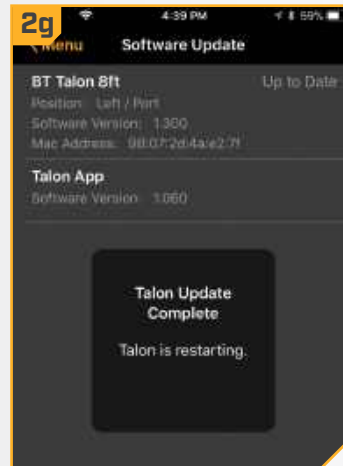
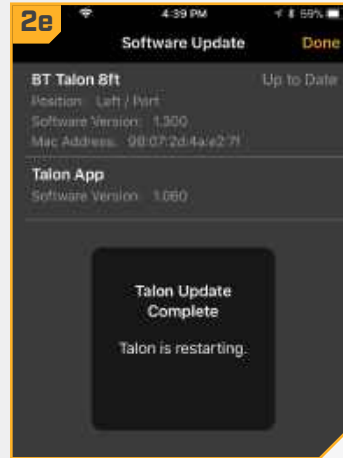
- c. L'écran Software Update (Mise à jour du logiciel) s'affiche. La version du logiciel de chaque Talon en mémoire s'affiche. Si un Talon figure dans la liste, mais que le titre est gris, le Talon et les appareils ne communiquent pas actuellement. Un bouton Transfer (Transfert) s'affiche contre chaque Talon en mémoire qui n'est pas à jour et qui communique activement avec l'appareil. Sélectionnez le bouton Transfer (Transfert) pour mettre le logiciel du Talon à jour.
- d. Pendant que l'application Talon charge la mise à jour dans le Talon, le bouton Transfer (Transfert) se transforme en icône de progrès. Quand un transfert a lieu, assurez-vous de garder l'alimentation du Talon et de l'appareil en circuit et de garder l'appareil à portée du Talon.



APPLICATION TALON

2

- e. Une fois l'intégralité de la mise à jour transférée dans le Talon, il redémarre. Les témoins clignotent et le Talon émet un bip. L'écran Software Update (Mise à jour du logiciel) remplace l'icône de progrès par un message Up to Date (À jour).
- f. Les mises à jour du Talon interrompent la connexion Bluetooth entre le Talon et l'appareil iOS dans lequel l'application Talon est installée. L'application présumera toujours que le Talon est connecté et n'obligera pas l'appareil de se connecter au Talon. Pour rétablir la connexion Bluetooth entre le Talon et l'appareil, passez aux paramètres Bluetooth de l'appareil.
- g. Dans l'appareil iOS, ouvrez les paramètres Bluetooth. Sélectionnez Not Connected (Non connecté) pour réinitialiser la communication entre le Talon et l'appareil iOS. Une fois que le statut indique « Connected » (Connecté), quittez le menu des paramètres Bluetooth et revenez à l'écran de mise à jour du logiciel de l'application.
- h. Pour confirmer que le Talon a été mis à jour, sélectionnez le bouton Menu depuis l'écran du logiciel du Talon. Depuis le Menu, sélectionnez le bouton Done (Terminé). L'écran de contrôle du Talon devrait s'afficher et permettre à l'application de contrôler le Talon.



AVIS : Parce qu'il se peut que certains appareils iOS utilisent des versions plus anciennes du logiciel iOS, vous devrez peut-être fermer, puis redémarrer l'application Talon pour vous assurer que toutes les mises à jour du logiciel ont réussi. Assurez-vous de confirmer que l'appareil iOS est connecté sur le menu des paramètres Bluetooth.

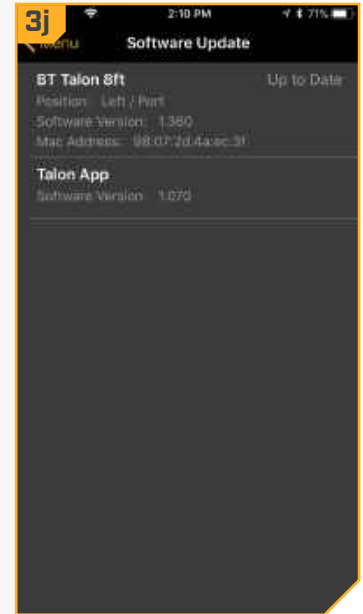
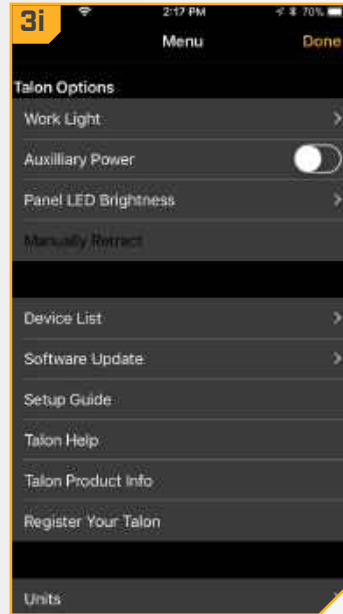


3

- i. En plus de contrôler le Talon, vous devez vous assurer qu'il est à jour en sélectionnant le Menu et en revenant à l'option Update Software (Mise à jour du logiciel), puis en vérifiant que le numéro de la version du logiciel qui s'affiche s'est accru. L'application indiquera si le Talon est à jour.
- j. Une fois la mise à jour du logiciel du Talon terminée, le Talon chargera la mise à jour dans toute télécommande ou tout commutateur au pied couplé(e) à laquelle/auquel il a accès aussitôt qu'ils communiqueront activement de nouveau.

AVIS : Pendant la mise à jour des télécommandes ou commutateurs au pied Talon, les témoins défilent. Les mises à jour terminées, tous les témoins clignotent, puis s'éteignent pour signaler que la mise à jour est terminée. Ces appareils devront alors être de nouveau couplés.

AVIS : Si l'écran d'accueil de l'application Talon s'affiche de nouveau, là où le contrôle principal du Talon se trouve et alors que l'appareil ne communique pas activement avec le Talon, un message Talon Not Found (Talon non trouvé) s'affiche au-dessus des contrôles. Si ce message s'affiche, passez au menu des paramètres Bluetooth de l'appareil pour vous connecter au Talon.



APPLICATION TALON

› Mettre deux Talon couplés l'un à l'autre à jour depuis l'application Talon avec iOS

Les mises à jour du logiciel du Talon se font depuis l'application Talon. Le Talon doit être couplé et communiquer avec l'appareil au moyen d'une connexion Bluetooth pour que le Talon soit mis à jour. Exécutez ces étapes quand vous utilisez iOS pour deux Talon couplés l'un à l'autre.

1

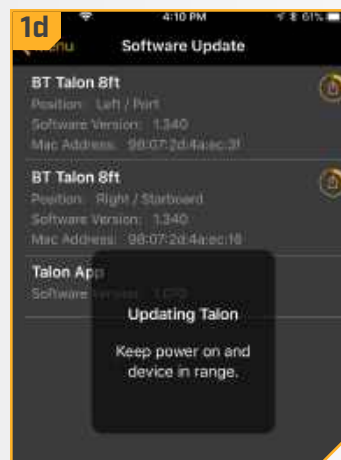
- a. Confirmez que les deux Talon sont couplés l'un à l'autre. Confirmez qu'un Talon est couplé à l'appareil et communique avec. Ceci fait, ouvrez l'application Talon.

AVIS : Si l'application contient une mise à jour critique pour le Talon plus récente que le Talon auquel elle est couplée, l'application vous obligera à mettre le Talon à jour.

- b. Si l'application reconnaît qu'elle est plus à jour que les Talon, un message Software Update Required (Mise à jour du logiciel requise) s'affichera à l'écran. L'application Talon vous offrira la possibilité de mettre le logiciel à jour ou de passer en Demo Mode (Mode de démonstration). Sélectionnez Update Software (Mise à jour du logiciel) pour ce faire.

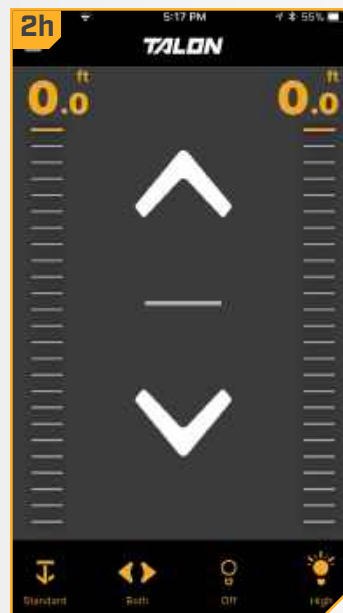
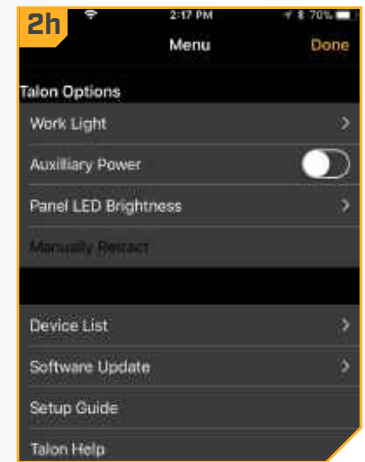
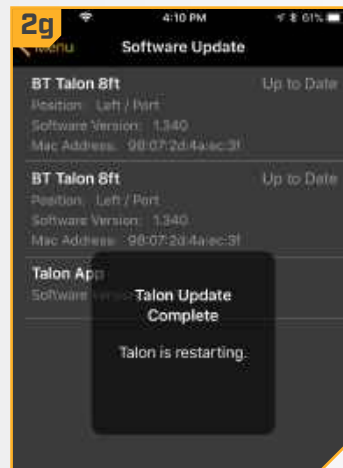
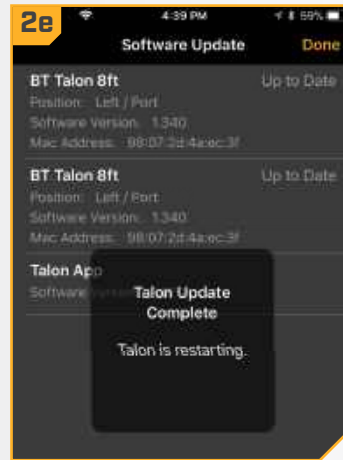
AVIS : Si vous choisissez de passer en Demo Mode (Mode de démonstration), vous pouvez mettre le Talon à jour plus tard en sélectionnant l'icône Menu, puis en choisissant l'option Software Update (Mise à jour du logiciel) depuis la liste Menu.

- c. L'écran Software Update (Mise à jour du logiciel) s'affiche. La version du logiciel de chaque Talon en mémoire s'affiche. Si un Talon figure dans la liste, mais que le titre est gris, le Talon et l'appareil ne communiquent pas actuellement. Un bouton Transfer (Transfert) s'affiche contre chaque Talon en mémoire qui n'est pas à jour et qui communique activement avec l'appareil. Sélectionnez le bouton Transfer (Transfert) pour mettre le Talon à jour. Les deux Talon couplés l'un à l'autre communiquent l'un avec l'autre. Si le bouton Transfer (Transfert) a été sélectionné pour un des deux Talon, la mise à jour sera transférée aux deux Talon.
- d. Pendant que l'application Talon charge la mise à jour dans le Talon, le bouton Transfer (Transfert) se transforme en icône de progrès. Quand un transfert a lieu, assurez-vous de garder l'alimentation du Talon et de l'appareil en circuit et de garder l'appareil à portée des Talon.



2

- e. Une fois la mise à jour transférée dans son entier dans les Talon, ils redémarrent. Les témoins clignotent et les Talon émettent un bip. L'écran Software Update (Mise à jour du logiciel) remplace l'icône de progrès par un message Up to Date (À jour).
- f. Les mises à jour du Talon interrompent la connexion Bluetooth entre les Talon et l'appareil iOS dans lesquels l'application Talon est installée. L'application présupera toujours que les Talon sont connectés et n'obligera pas l'appareil à se connecter au Talon. Pour rétablir la connexion Bluetooth entre les Talon et l'appareil, passez aux paramètres Bluetooth de l'appareil.
- g. Dans l'appareil iOS, ouvrez les paramètres Bluetooth. Sélectionnez Not Connected (Non connecté) pour réinitialiser la communication entre le Talon et l'appareil iOS. Une fois que le statut indique « Connected » (Connecté), quittez le menu des paramètres Bluetooth et revenez à l'écran de mise à jour du logiciel de l'application.
- h. Pour confirmer que les Talon ont été mis à jour, sélectionnez le bouton Menu depuis l'écran du logiciel des Talon. Depuis le Menu, sélectionnez le bouton Done (Terminé). L'écran de contrôle des Talon devrait s'afficher et permettre à l'application de contrôler les Talon.



AVIS : Parce qu'il se peut que certains appareils iOS utilisent des versions plus anciennes du logiciel iOS, vous devrez peut-être fermer, puis redémarrer l'application Talon pour vous assurer que toutes les mises à jour du logiciel ont réussi. Assurez-vous de confirmer que l'appareil iOS est connecté sur le menu des paramètres Bluetooth.

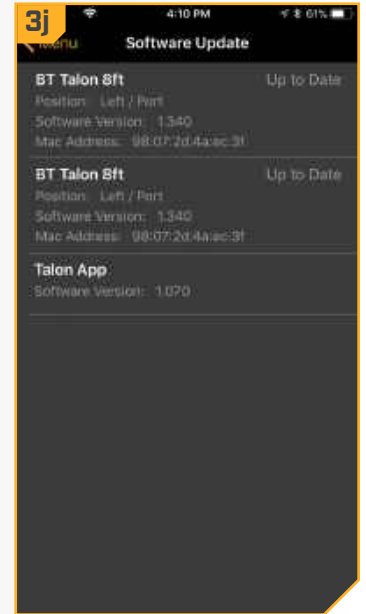
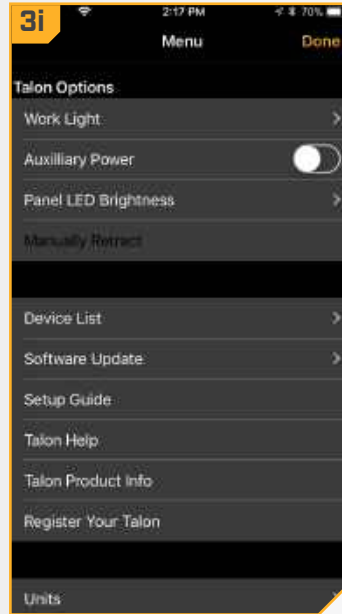
APPLICATION TALON

3

- i. En plus de contrôler les Talon, vous devez vous assurer qu'ils sont à jour en sélectionnant le Menu et en revenant à l'option Update Software (Mise à jour du logiciel), puis en vérifiant que le numéro de la version du logiciel qui s'affiche s'est accru. L'application indiquera si les Talon sont à jour.
- j. Une fois la mise à jour du logiciel Talon terminée, les Talon chargeront la mise à jour dans toute télécommande ou tout commutateur au pied couplé(e) à laquelle/auquel ils ont accès aussitôt qu'ils communiqueront activement de nouveau.

AVIS : Pendant la mise à jour des télécommandes ou commutateurs au pied Talon, les témoins défilent. Les mises à jour terminées, tous les témoins clignotent, puis s'éteignent pour signaler que la mise à jour est terminée. Ces appareils devront alors être de nouveau couplés.

AVIS : Si l'écran d'accueil de l'application Talon s'affiche de nouveau, là où le contrôle principal du Talon se trouve et alors que l'appareil ne communique pas activement avec le Talon, un message Talon Not Found (Talon non trouvé) s'affiche au-dessus des contrôles. Si ce message s'affiche, passez au menu des paramètres Bluetooth de l'appareil pour vous connecter au Talon.



ANDROID >

> Mettre un Talon à jour depuis l'application Talon avec Android

Toutes les mises à jour sont communiquées au Talon au moyen de l'application Talon. Le Talon doit être couplé et communiquer avec l'appareil au moyen d'une connexion Bluetooth pour que le Talon soit mis à jour. Exécutez ces étapes quand vous utilisez un appareil Android pour un Talon.

1

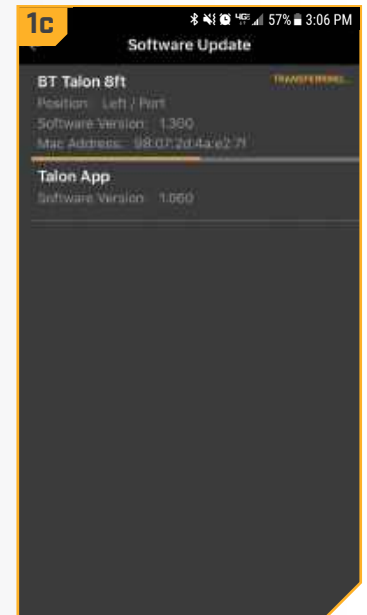
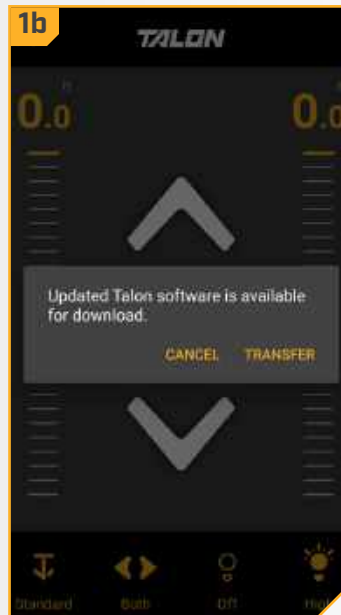
- a. Confirmez que le Talon est couplé à l'appareil et communique avec. Ceci fait, ouvrez l'application Talon.

AVIS : Si l'application contient une mise à jour critique pour le Talon plus récente que le Talon auquel elle est couplée, l'application vous obligera à mettre le Talon à jour.

- b. Si l'application reconnaît qu'elle est plus à jour que le Talon, un message indiquant qu'une mise à jour du logiciel est disponible s'affichera à l'écran. L'application offre les options Cancel (annuler) ou Transfer (transfert) pour la mise à jour. Sélectionnez Transfer (Transfert) pour aller de l'avant avec la mise à jour.

AVIS : Si vous choisissez d'annuler la mise à jour, vous pouvez mettre le Talon à jour plus tard en sélectionnant l'icône Menu, puis en choisissant l'option Software Update (Mise à jour du logiciel) depuis la liste Menu.

- c. L'écran Software Update (Mise à jour du logiciel) s'affiche. La version du logiciel de chaque Talon en mémoire s'affiche. Si un Talon figure dans la liste, mais que le titre est gris, le Talon et les appareils ne communiquent pas actuellement. Si vous avez sélectionné Transfer (Transfert) quand le message Software Update (Mise à jour du logiciel) s'est affiché, la mise à jour s'amorcera et l'écran Software Update (Mise à jour du logiciel) indiquera Transferring (Transfert en cours). Quand le transfert est en cours, une barre de progrès s'affiche sous le Talon indiqué. Quand un transfert a lieu, assurez-vous de garder l'alimentation du Talon et de l'appareil en circuit et de garder l'appareil à portée du Talon.



AVIS : Si le processus a d'abord été annulé, puis que l'utilisateur revient à l'écran Software Update (Mise à jour du logiciel), un bouton Transfer (Transfert) s'affiche à côté du Talon en mémoire non à jour qui ne communique pas activement avec l'appareil. Sélectionnez le bouton Transfer (Transfert) pour mettre le logiciel du Talon à jour.

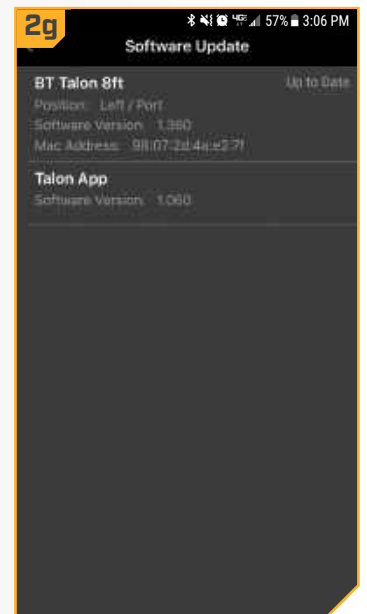
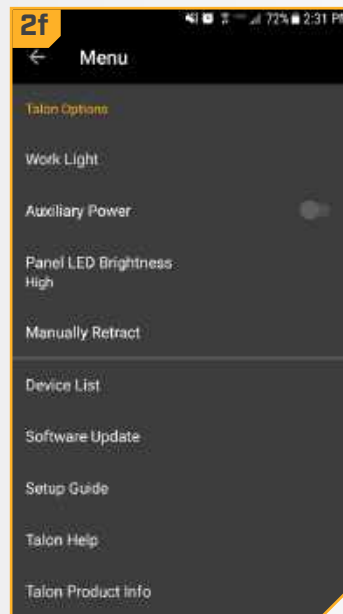
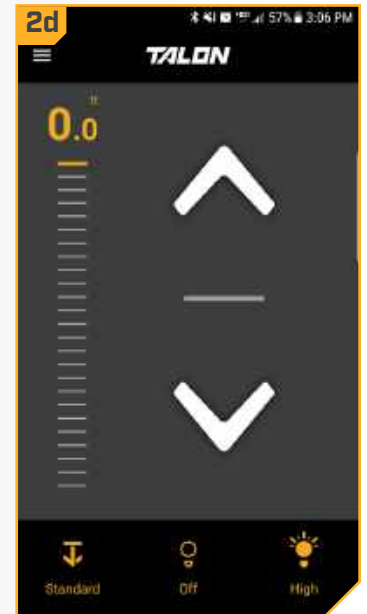
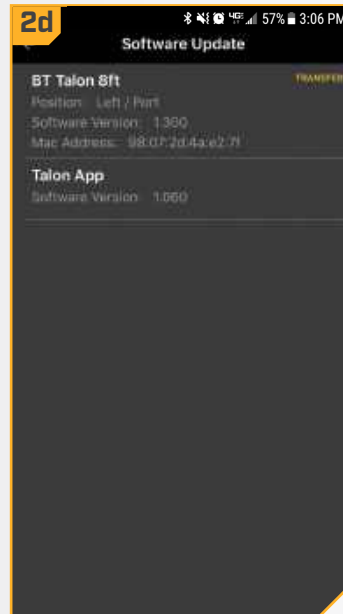
APPLICATION TALON

2

- d. Une fois l'intégralité de la mise à jour transférée dans le Talon, il redémarre. L'écran de mise à jour du logiciel n'indique plus Transferring... (Transfert en cours...) mais Transfer (Transfert) pendant que le Talon redémarre.
- e. Les témoins du Talon clignotent et le Talon émet un bip. Une fois que le Talon redémarre, l'écran de contrôle du Talon s'affiche de nouveau.
- f. Pour confirmer que le Talon a été mis à jour, ouvrez le Menu et sélectionnez l'option Update Software (Mise à jour du logiciel), puis vérifiez que le numéro de la Software Version (version du logiciel) qui s'affiche s'est accru.
- g. L'écran Software Update (Mise à jour du logiciel) indiquant un message Up to Date (À jour) à côté du Talon.
- h. Une fois la mise à jour du logiciel du Talon terminée, le Talon chargera la mise à jour dans toute télécommande ou tout commutateur au pied couplé(e) à laquelle/auquel il a accès aussitôt qu'ils communiqueront activement de nouveau.

AVIS : Pendant que les télécommandes ou commutateurs au pied Talon sont mis(es) à jour, les témoins défilent. Les mises à jour terminées, tous les témoins clignotent, puis s'éteignent pour signaler que la mise à jour est terminée. Ces appareils devront alors être réparés.

AVIS : Si l'écran d'accueil de l'application Talon s'affiche de nouveau, là où le contrôle principal du Talon se trouve et alors que l'appareil ne communique pas activement avec le Talon, un message Talon Not Found (Talon non trouvé) s'affiche au-dessus des contrôles. Si ce message s'affiche, passez au menu des paramètres Bluetooth de l'appareil pour vous connecter au Talon.



› Mettre deux Talon couplés l'un à l'autre à jour depuis l'application Talon avec Android

Les mises à jour du logiciel du Talon se font depuis l'application Talon. Le Talon doit être connecté et communiquer avec l'appareil au moyen d'une connexion Bluetooth pour que le Talon soit mis à jour. Exécutez ces étapes quand vous utilisez un appareil Android pour deux Talon couplés l'un à l'autre.

1

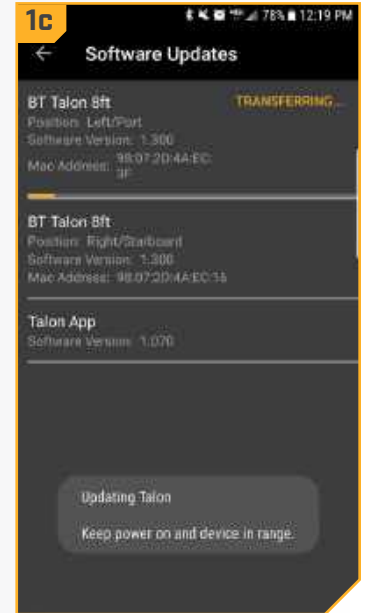
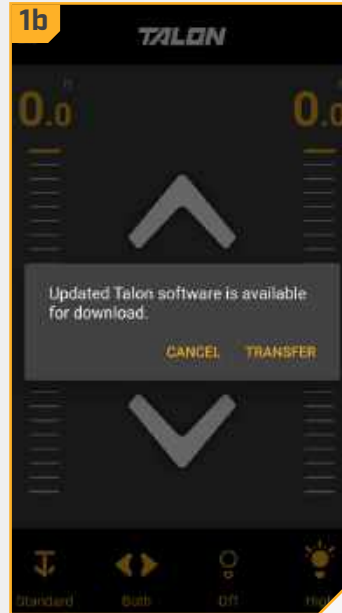
- a. Confirmez que les deux Talon sont couplés l'un à l'autre. Puis confirmez que le Talon est couplé à l'appareil et qu'ils communiquent ensemble. Ceci fait, ouvrez l'application Talon.

AVIS : Si l'application contient une mise à jour critique pour le Talon plus récente que le Talon auquel elle est couplée, l'application vous obligera à mettre le Talon à jour.

- b. Si l'application reconnaît qu'elle est plus à jour que le Talon, un message indiquant qu'une mise à jour du logiciel est disponible s'affichera à l'écran. L'application offre l'option d'annuler ou de transférer la mise à jour. Sélectionnez Transfer (Transfert) pour aller de l'avant avec la mise à jour.

AVIS : Si vous choisissez d'annuler la mise à jour, vous pouvez mettre le Talon à jour plus tard en sélectionnant l'icône Menu, puis en choisissant l'option Software Update (Mise à jour du logiciel) depuis la liste Menu.

- c. L'écran Software Update (Mise à jour du logiciel) s'affiche. Sur cet écran s'affiche la version du logiciel de chaque Talon en mémoire. Si un Talon figure dans la liste, mais que le titre est gris, le Talon et les appareils ne communiquent pas actuellement. Si vous avez sélectionné Transfer (Transfert) quand le message Software Update (Mise à jour du logiciel) s'est affiché, la mise à jour s'amorcera et l'écran Software Update (Mise à jour du logiciel) indiquera Transferring (Transfert en cours). Quand les Talon sont couplés l'un à l'autre, la mise à jour sera chargée dans l'autre Talon automatiquement. Quand le transfert est en cours, une barre de progrès s'affiche sous un des Talon énumérés. Quand un transfert a lieu, assurez-vous de garder l'alimentation du Talon et de l'appareil en circuit et de garder l'appareil à portée des Talon.



AVIS : Si le processus a d'abord été annulé, puis que l'utilisateur revient à l'écran de mise à jour du logiciel, un bouton Transfer (Transfert) s'affiche à côté d'un des Talon en mémoire non à jour qui ne communiquent pas activement avec l'appareil. Sélectionnez le bouton Transfer (Transfert) à côté du Talon. Les Talon étant couplés l'un à l'autre, la mise à jour sera transférée dans les deux Talon.

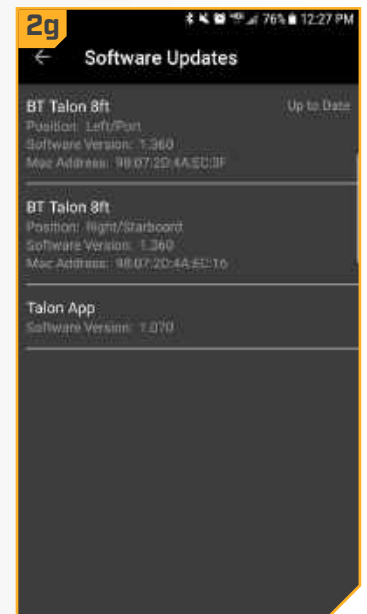
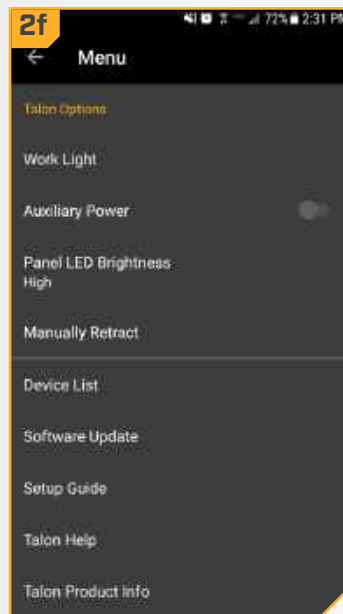
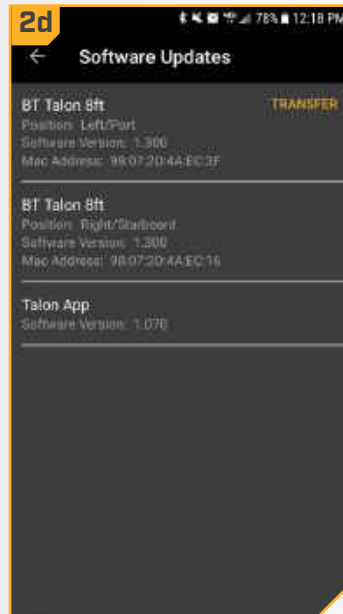
APPLICATION TALON

2

- d. Une fois la mise à jour transférée dans son entier dans les deux Talon, ils redémarrent. L'écran de mise à jour du logiciel n'indique plus Transferring... (Transfert en cours...) mais Transfer (Transfert) pendant que les Talon redémarrent.
- e. Les témoins des deux Talon clignotent et le Talon émet un bip. Une fois que les Talon redémarrent, l'écran de contrôle du Talon s'affiche de nouveau.
- f. Pour confirmer que les Talon ont été mis à jour, ouvrez le Menu et sélectionnez l'option de mise à jour du logiciel, puis vérifiez que le numéro de la version du logiciel qui s'affiche s'est accru.
- g. L'écran Software Update (Mise à jour du logiciel) indiquant un message Up to Date (À jour) à côté du Talon principal.
- h. Une fois la mise à jour du logiciel Talon terminée, les Talon chargeront la mise à jour dans toute télécommande ou tout commutateur au pied couplé(e) à laquelle/auquel ils ont accès aussitôt qu'ils communiqueront activement de nouveau.

AVIS : Pendant la mise à jour des télécommandes ou commutateurs au pied Talon, les témoins défilent. Les mises à jour terminées, tous les témoins clignotent, puis s'éteignent pour signaler que la mise à jour est terminée. Ces appareils devront alors être de nouveau couplés.

AVIS : Si l'écran d'accueil de l'application Talon s'affiche de nouveau, là où le contrôle principal du Talon se trouve et alors que l'appareil ne communique pas activement avec le Talon, un message Talon Not Found (Talon non trouvé) s'affiche au-dessus des contrôles. Si ce message s'affiche, passez au menu des paramètres Bluetooth de l'appareil pour vous connecter au Talon.



SERVICE ET ENTRETIEN

⚠ ATTENTION

Avant de commencer tout travail d'entretien, débranchez le Talon de la batterie ou, s'il est connecté à un interrupteur de sélection de batterie ou à un interrupteur de déconnexion d'alimentation, assurez-vous que ce dernier est en position Off (Arrêt). Ne pas débrancher l'alimentation pendant les travaux d'entretien peut mener à une électrocution, à un fonctionnement imprévu et à des blessures. Minn Kota recommande de faire entretenir le Talon par un technicien marin qualifié à un centre de service autorisé.

REPLACEMENT DE LA PILE DE LA TÉLÉCOMMANDE

OUTILS ET RESSOURCES NÉCESSAIRES >

- Grosse pièce de monnaie

INSTALLATION >

1

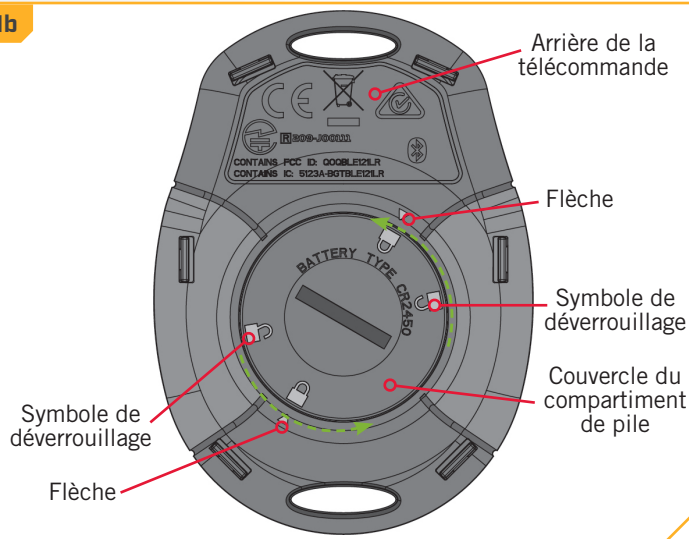
- Assurez-vous que vos mains sont propres, sèches et exemptes d'électricité statique. Raccordez-vous temporairement à la terre en touchant un objet métallique mis à la terre afin de décharger toute électricité statique de votre corps.

⚠ ATTENTION

L'électricité statique peut endommager la carte de circuit imprimé. Déchargez toute électricité statique en touchant un objet métallique mis à la terre avant d'entreprendre le remplacement de la pile de la télécommande.

- Avec l'arrière de la télécommande face à vous, utilisez une grosse pièce de monnaie afin de faire tourner le couvercle du compartiment de pile dans le sens antihoraire jusqu'à ce que l'un des symboles de déverrouillage s'aligne avec la flèche.

1b

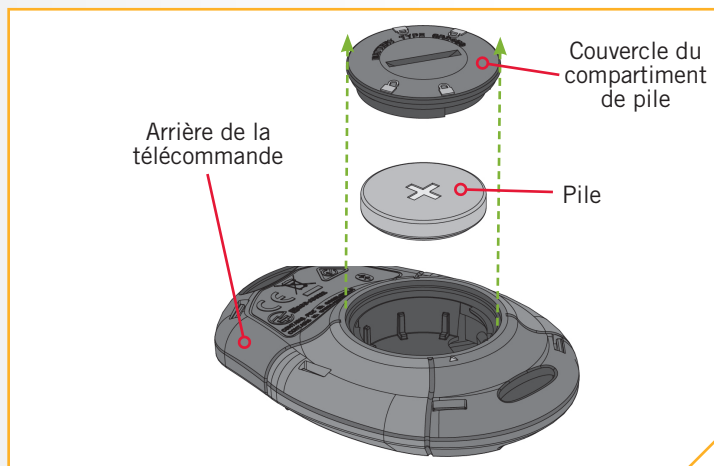


SERVICE ET ENTRETIEN

2

- c. Retirez le couvercle du compartiment de pile et l'ancienne pile, puis insérez une nouvelle pile bouton CR2450. Respectez les indications de polarité de la pile.

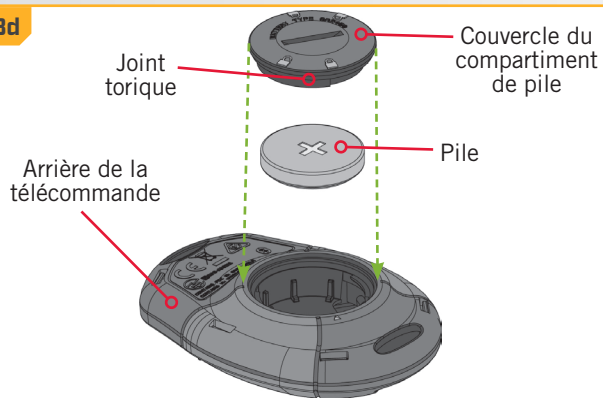
AVIS : La pile de remplacement doit être une pile bouton modèle CR2450. Il est fortement recommandé d'utiliser une pile de haute qualité. Le pôle positif (+) de la pile doit être orienté vers le couvercle du compartiment de pile.



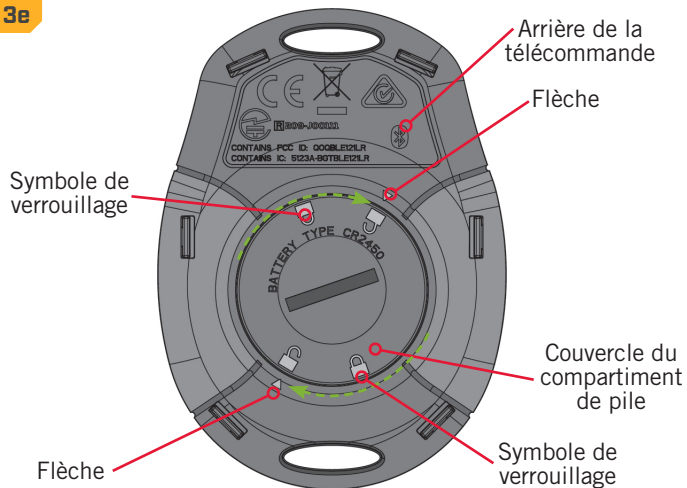
3

- d. Assurez-vous que le joint torique en caoutchouc est correctement placé sur la partie inférieure du couvercle du compartiment de pile. Remplacez le couvercle du compartiment de pile en alignant l'un des symboles de déverrouillage avec la flèche et en appuyant sur le couvercle.
- e. Tournez le couvercle dans le sens horaire avec la grosse pièce de monnaie jusqu'à ce que le symbole de verrouillage s'aligne avec la flèche.

3d



3e

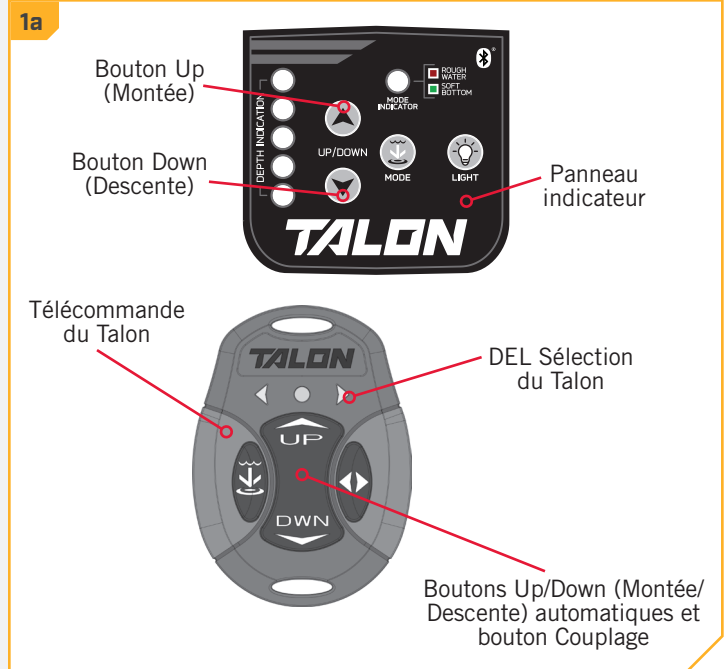


COUPLAGE D'UNE TÉLÉCOMMANDE À UN SEUL TALON

Chaque Talon est livré de l'usine avec a télécommande déjà couplées au Talon. Cependant, tout Talon peut être couplé avec un maximum de 3 dispositifs par Talon.

1

- a. Rétractez l'ancre du Talon en appuyant sur le bouton Up (Montée) ▲.
- b. Une fois le Talon entièrement rétracté, appuyez simultanément sur le bouton Up (Montée) UP et le bouton Down (Descente) DWN de la télécommande et gardez-les enfoncés jusqu'à ce que les DEL Sélection du Talon sur la télécommande se mettent à défiler. Relâchez ensuite les boutons.
- c. Immédiatement, appuyez simultanément sur le bouton Up (Montée) ▲ et le bouton Down (Descente) ▼ sur le panneau indicateur et gardez-les enfoncés. Les DEL d'indication de la profondeur se mettront à clignoter en bleu. Lorsque les DEL clignotent, relâchez les boutons sur le panneau indicateur. Le Talon et la télécommande passeront au mode Couplage pendant 20 secondes. Si un signal avec trois bips rapides se produit, le Talon et la télécommande ont été couplés avec succès. Si 20 secondes s'écoulent en mode Couplage et que le couplage n'a pas encore réussi, un pépiement indiquera que le temps accordé pour le couplage est écoulé.
- d. Si le couplage échoue, recommencez le processus.



COUPLAGE DE DEUX TALON ET PROGRAMMATION DE L'EMPLACEMENT DE MONTAGE

Chaque Talon est livré de l'usine avec a télécommande déjà couplées au Talon. Cependant, tout Talon peut être couplé avec un maximum de 3 dispositifs par Talon. Lorsqu'un bateau possède deux Talon compatibles Bluetooth, il faut coupler les deux Talon, puis saisir dans le système le côté sur lequel chaque Talon est installé. Le processus ci-dessous sert à coupler les Talon ensemble, puis à indiquer le côté du bateau sur lequel chaque Talon est installé. Lorsque le processus est terminé, toutes les télécommandes qui ont été couplées à un Talon individuel feront fonctionner les deux Talon. Si ce n'est pas le cas, veuillez consulter la section « Couplage d'une télécommande à deux Talon » de ce manuel. L'ajout de plus de 3 appareils par Talon pourrait nuire aux communications dans le réseau Bluetooth.

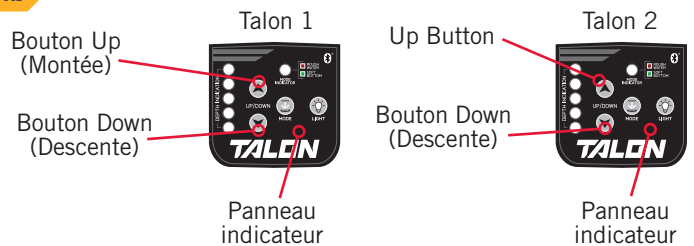
1

- Rétractez l'ancre des deux Talon en appuyant sur le bouton Up (Montée) ▲ de chaque Talon.
- Une fois les deux Talon entièrement rétractés, appuyez simultanément sur le bouton Up (Montée) ▲ et le bouton Down (Descente) ▼ sur le panneau indicateur d'un des Talon et gardez-les enfoncés. Une fois que les DEL d'indication de la profondeur sur le panneau indicateur se mettent à clignoter en bleu, relâchez les boutons. Effectuez immédiatement cette étape sur l'autre Talon.
- Lorsque les boutons sont relâchés, les Talon sont en mode Couplage et se rechercheront mutuellement pendant 20 secondes. S'ils ne sont pas couplés après 20 secondes, une tonalité d'erreur se fera entendre, indiquant que le temps accordé pour le couplage s'est écoulé. Dans ce cas, vérifiez que les Talon sont entièrement rétractés et recommencez le processus.
- Si le couplage des Talon réussit, une tonalité de confirmation avec trois bips rapides se fera entendre. À ce moment, les Talon sont couplés, et il faut maintenant indiquer les emplacements de bâbord et de tribord.

1a



1b



2

AVIS : Ce processus commencera automatiquement dès que deux Talon se sont couplés.

- La DEL d'indication de mode passera au vert sur les deux Talon. Sur le panneau indicateur du Talon de tribord, appuyez sur le bouton Up (Montée) ▲. Le Talon acceptera la sélection. Le Talon sur le côté bâbord clignotera en rouge, puis les DEL sur les deux Talon s'éteindront. Maintenant, les Talon sont bien couplés et connaissent leur emplacement de montage.

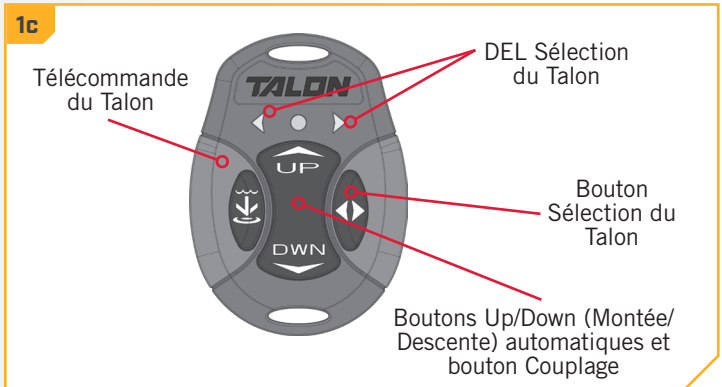
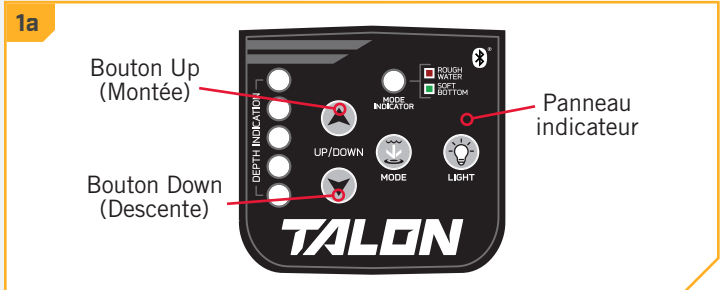
1e



COUPLAGE D'UNE TÉLÉCOMMANDE À DEUX TALON

Afin de coupler une télécommande à un Talon, assurez-vous de coupler d'abord les Talon ensemble. Lorsque deux Talon compatibles Bluetooth sont couplés, toutes les télécommandes qui étaient couplées à un Talon individuel feront fonctionner les deux Talon. Veuillez consulter la section « Couplage de deux Talon et programmation de l'emplacement de montage » de ce manuel. Si les deux Talon sont déjà couplés, on peut coupler une télécommande à un Talon ou à l'autre. Lorsque le processus de couplage est terminé, la télécommande peut contrôler les deux Talon.

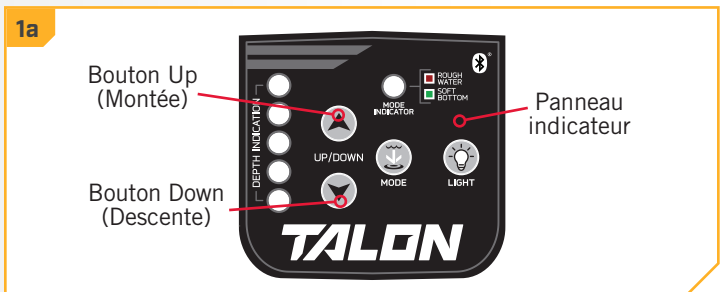
- 1
 - a. Rétractez l'ancre des deux Talon en appuyant sur le bouton Up (Montée) ▲.
 - b. Une fois les deux Talon entièrement rétractés, appuyez simultanément sur le bouton Up (Montée) ▲ et le bouton Down (Descente) ▼ sur la télécommande et gardez-les enfoncés jusqu'à ce que les DEL Sélection du Talon sur la télécommande se mettent à défiler. Après 2 secondes, relâchez les boutons.
 - c. Immédiatement, appuyez simultanément sur le bouton Up (Montée) ▲ et le bouton Down (Descente) ▼ du panneau indicateur d'un Talon et gardez-les enfoncés. La DEL d'indication de la profondeur commencera à clignoter en bleu sur les deux Talon. Lorsque les DEL clignotent, relâchez les boutons sur le panneau indicateur. Le Talon et la télécommande passeront au mode Couplage pendant 20 secondes.
 - d. Si un signal avec trois bips rapides se produit, le Talon et la télécommande ont bien été couplés. Si 20 secondes passent en mode Couplage et que le couplage n'a pas réussi, une tonalité d'erreur se fera entendre, indiquant que le temps accordé pour le couplage s'est écoulé.
 - e. Si le couplage échoue, recommencez le processus.



ÉLIMINATION DE TÉLÉCOMMANDES OU D'APPAREILS COUPLÉS DU TALON

Le Talon a été conçu de manière à ce que tous les appareils couplés puissent être éliminés de la mémoire.

- 1
 - a. Rétractez l'ancre du Talon en appuyant sur le bouton Up (Montée) ▲.
 - b. Coupez l'alimentation du Talon.

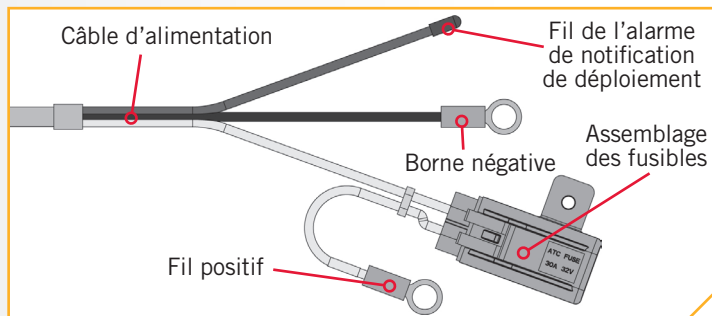


SERVICE ET ENTRETIEN

2

AVIS : Vous pourriez avoir besoin de l'aide d'une autre personne.


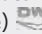
- c. Tout en gardant enfoncé le bouton Up ▲ (Montée) sur le panneau indicateur, rétablissez l'alimentation du Talon. Vous entendrez une longue tonalité stable.
- d. Lorsque la tonalité continue s'arrête, relâchez le bouton Up ▲ (Montée). Une série de bips rapides se fait entendre.
- e. Tous les appareils couplés antérieurement ont maintenant été effacés de la mémoire du Talon.



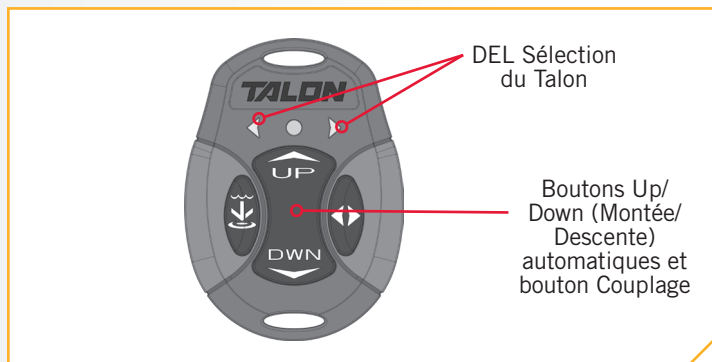
ÉLIMINATION DE TALON COUPLÉS DE LA TÉLÉCOMMANDE

Le télécommande a été conçue de manière à ce que tous les Talon couplés puissent être éliminés de la mémoire.

1

- a. Appuyez simultanément sur le bouton Up (Montée)  et le bouton Down (Descente)  de la télécommande et gardez-les enfoncés jusqu'à ce que les DEL Sélection du Talon de la télécommande se mettent à défiler, puis relâchez les boutons. La télécommande passera au mode Couplage pendant 20 secondes. Lorsque le temps alloué pour le couplage s'écoule, tous les Talon seront éliminés.

AVIS : Mettre la télécommande en mode Couplage sans coupler la télécommande à un Talon, même de manière accidentelle, éliminera tous les Talon couplés.



RÉTRACTION MANUELLE DU TALON

Si vous devez effectuer la rétraction manuelle du Talon, suivez la procédure ci-dessous.

1

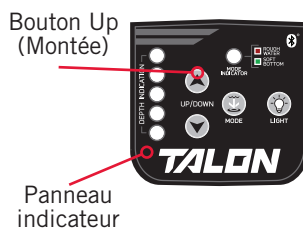
- a. Appuyez sur le bouton Up (Montée) ▲ sur le panneau indicateur et gardez-le enfoncé jusqu'à ce que vous entendiez 3 bips successifs. Le Talon est alors en mode Rétraction manuelle.
- b. Retirez le capuchon de caoutchouc sur le mandrin hexagonal de rétraction manuelle et utilisez une clé à douille de 7/16 po afin de tourner le mandrin dans le sens horaire.

ATTENTION

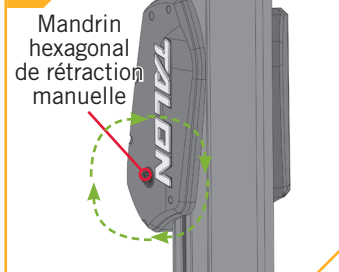
Le Talon pourrait devenir glissant lorsqu'il est mouillé. Soyez prudent afin d'éviter les glissades et les chutes lors de l'ajustement du mandrin hexagonal de rétraction manuelle.

AVIS : Le Talon doit être déployé pour qu'on puisse utiliser la procédure de rétraction manuelle.

1a

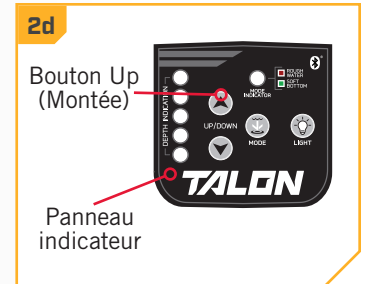
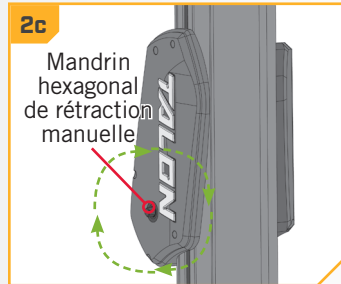


1b



2

- a. Continuez à tourner le mandrin hexagonal en sens horaire jusqu'à ce que le Talon soit entièrement rétracté. Confirmez visuellement que le pieu est entièrement rétracté.
- b. Une fois le Talon rétracté, le mode Rétraction manuelle doit être désactivé. Le mode Rétraction manuelle se désactivera après 30 minutes; vous pouvez également le désactiver en appuyant sur le bouton Up (Montée) ▲ du panneau indicateur. Trois bips successifs se feront entendre. Cette tonalité confirme que le Talon n'est plus en mode Rétraction manuelle.



AVIS : Une fois que le Talon est en mode Rétraction manuelle, ce mode se désactivera après 30 minutes.

L'ALARME DE NOTIFICATION DE RÉTRACTION

Le Talon est équipé d'une alarme de notification de rétraction afin de protéger le moteur de levage. Si la capacité de levage du moteur est excédée ou si le moteur prend plus de 10 secondes pour effectuer la rétraction, le moteur s'arrête et émet une série de trois ensembles de trois bips. Cela diffère de l'alarme de notification de déploiement, qui émet une tonalité chaque fois que la clé de contact est mise en position de marche et que l'ancre n'est pas rétractée. L'alarme de notification de rétraction se fait entendre lorsque la rétraction du Talon échoue. Les raisons les plus communes pour l'activation de l'alarme de notification de rétraction sont :

1. Le fond est très mou ou boueux, et le pieu est profondément enfoncé : il n'arrive pas à se rétracter seul.
2. Il pourrait y avoir une charge latérale excessive sur le pieu, généralement en raison de courants rapides ou de vents puissants.
3. La batterie est presque épuisée. Cela pourrait mener à un temps de rétraction supérieur à 10 secondes.
4. Des obstructions sur l'ancre l'empêchent de se rétracter.

Si l'alarme de notification de rétraction se fait entendre, il faut prendre les mesures suivantes afin de rétracter l'ancre.

1

- a. Appuyez sur le bouton Up (Montée) ▲ du panneau indicateur ou le bouton Up (Montée) UP bde de la télécommande. Si le pieu ne se lève pas en deux tentatives :
- b. Délogez le pieu du fond en faisant légèrement avancer et reculer le bateau en utilisant le moteur principal. Puis, tentez à nouveau de lever l'ancre. Cette mesure est particulièrement utile si vous pêchez au-dessus d'un fond mou ou boueux.
- c. Éliminez toutes les charges latérales excessives sur l'ancre, de la manière décrite ci-dessus. Pour ce faire, il faut habituellement se diriger contre le courant ou la direction de la charge, puis tenter à nouveau de rétracter l'ancre lorsque la charge latérale est éliminée. Si le pieu ne peut pas être rétracté normalement, veuillez consulter la section « Rétraction manuelle du Talon » de ce manuel.



AVIS : Si cela est typique pour les endroits où vous pêchez, Minn Kota recommande fortement d'utiliser le mode Fond mou.

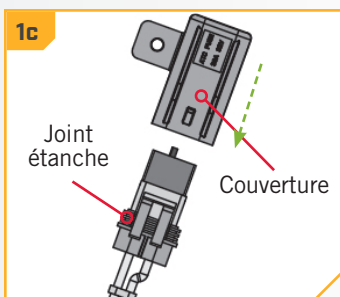
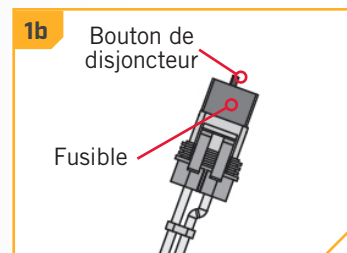
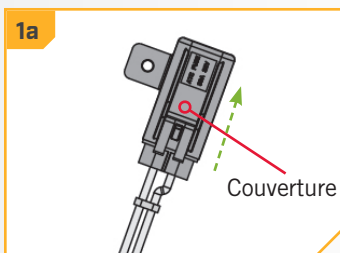
SERVICE ET ENTRETIEN

RÉINITIALISATION DU FUSIBLE

Si vous devez réinitialiser le fusible de 30 A installé en usine, suivez les instructions ci-dessous. Le fusible doit se trouver à 7 po (18 cm) ou moins de la borne positive de la batterie sur le fil positif (+). Si un fusible de rechange est installé, veuillez consulter les instructions du fabricant de votre fusible afin de bien le réinitialiser.

1

- Retirez le couvercle protecteur de l'assemblage de fusible, exposant le fusible de 30 A.
- Réinitialisez le fusible en appuyant sur le bouton de disjoncteur afin d'activer le fusible.
- Assurez-vous que le sceau est en place et remplacez le boîtier protecteur sur l'assemblage de fusible. Assurez-vous que le couvercle s'emboîte afin d'assurer un sceau étanche.



REPLACEMENT DU PIEU

Le pieu de votre Talon est offert avec une garantie à vie. Consultez la section Garantie du manuel pour obtenir davantage de détails. Afin de remplacer le pieu, vous devez avoir suffisamment d'espace pour étendre le premier étage entier et le début du deuxième étage du Talon. Établissez si vous avez suffisamment d'espace pour remplacer le pieu en position verticale. S'il n'y a pas assez d'espace pour remplacer le pieu en position verticale, il pourrait falloir retirer le Talon du support de montage. Le support de Talon inclinable (1810222) est un accessoire disponible pour faciliter ce processus. Grâce à cet accessoire, vous n'avez pas à retirer le Talon du support pour remplacer le pieu, car il permet de faire pivoter le Talon en position horizontale.


AVIS : L'accessoire support de Talon inclinable (1810222) est disponible pour faciliter ce processus. Grâce à cet accessoire, vous n'avez pas à retirer le Talon du support pour remplacer le pieu.

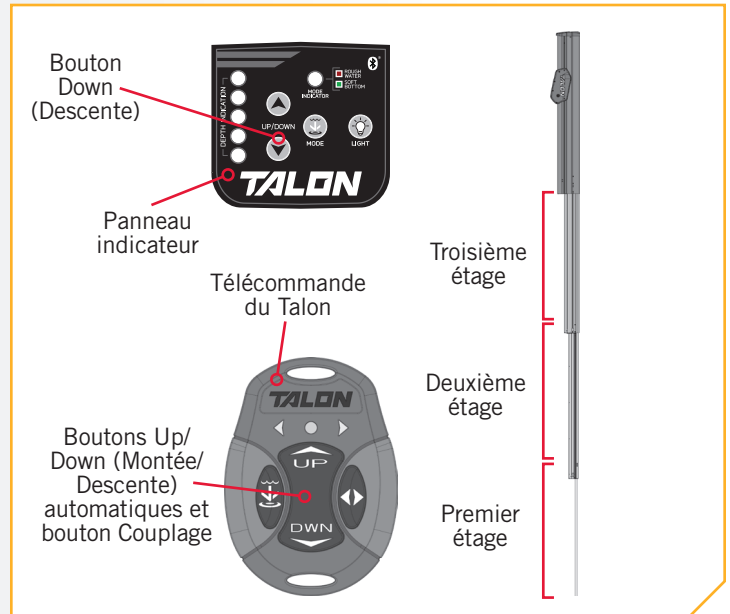
OUTILS ET RESSOURCES NÉCESSAIRES >

- Chasse-goupille de 1/8 po
- Marteau
- Clé hexagonale de 3/32 po

INSTALLATION

1

- Appuyez sur le bouton Down (Descente) ▼ du panneau indicateur ou le bouton Down (Descente)  de la télécommande afin de faire sortir le pieu, de manière à ce que le deuxième étage commence à sortir du bas du Talon. Pour ce faire, il pourrait falloir retirer le Talon du support de montage et le poser à l'horizontale ou sur une surface plate.
- Une fois déployé, débranchez le Talon de la source d'alimentation.



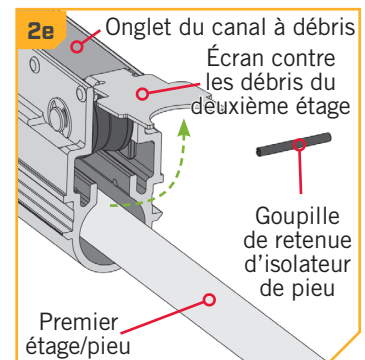
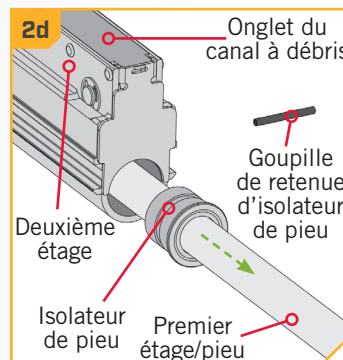
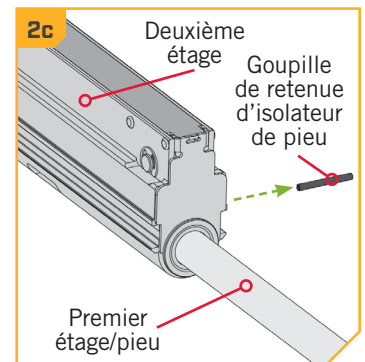
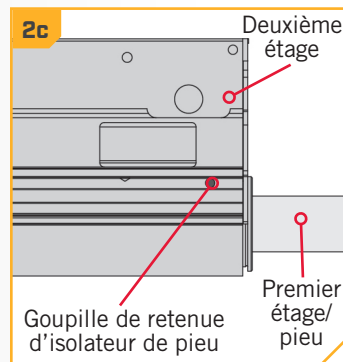
ATTENTION

Avant de commencer tout travail d'entretien, débranchez le Talon de la batterie ou, s'il est connecté à un interrupteur de sélection de batterie ou à un interrupteur de déconnexion d'alimentation, assurez-vous que ce dernier est en position Off (Arrêt). Ne pas débrancher l'alimentation pendant les travaux d'entretien peut mener à une électrocution, à un fonctionnement imprévu et à des blessures.

2

- Repérez la goupille de retenue d'isolateur de pieu dans le deuxième étage du Talon. En utilisant le chasse-goupille et le marteau, retirez la goupille de retenue avec prudence.
- Mettez la goupille de retenue d'isolateur de pieu de côté pour l'utiliser à nouveau pendant le réassemblage. Faites glisser l'isolateur de pieu le long du pieu, en l'éloignant du deuxième étage.
- Faites délicatement pivoter l'écran contre les débris du deuxième étage, de manière à permettre l'accès à la vis du dispositif de retenue du pieu. L'onglet du canal de débris en plastique adjacent se pliera légèrement, mais on peut le remettre en place en le frappant délicatement avec un petit marteau, après avoir replacé le pieu.

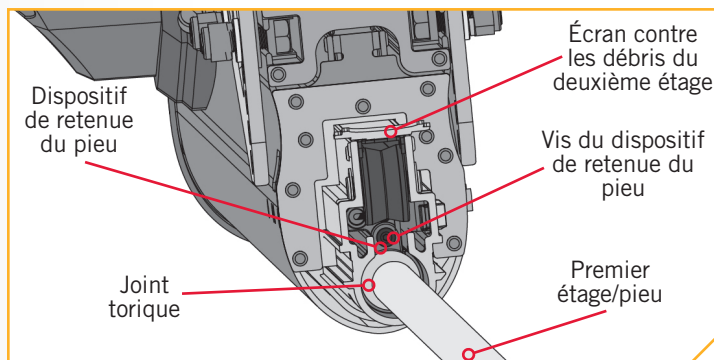
AVIS : Il est normal que l'apparence de l'onglet du canal de débris soit modifiée pendant cette procédure.



SERVICE ET ENTRETIEN

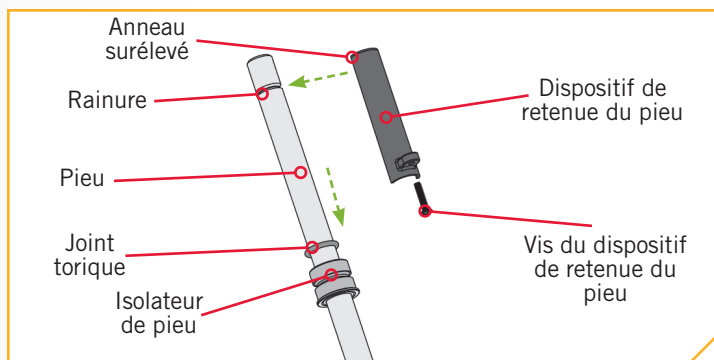
3

- f. Repérez la vis du dispositif de retenue du pieu et enlevez-la en utilisant une clé Allen de 3/32 po.
- g. Une fois la vis retirée, vous devriez pouvoir enlever le pieu du deuxième étage; il sortira avec le dispositif de retenue du pieu et un joint torique en place autour du pieu. Le dispositif de retenue du pieu est la pièce dont vous venez de retirer la vis du dispositif de retenue du pieu.
- h. Jetez la vis du dispositif de retenue du pieu, le pieu, le joint torique et l'isolateur de pieu que vous venez de retirer. Conservez le dispositif de retenue du pieu à des fins de réassemblage.



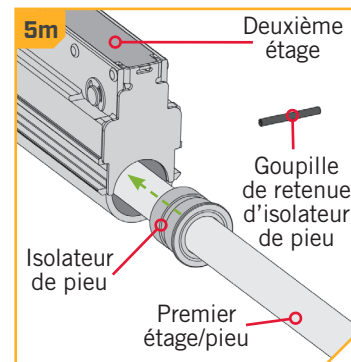
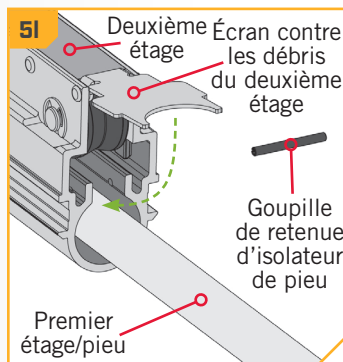
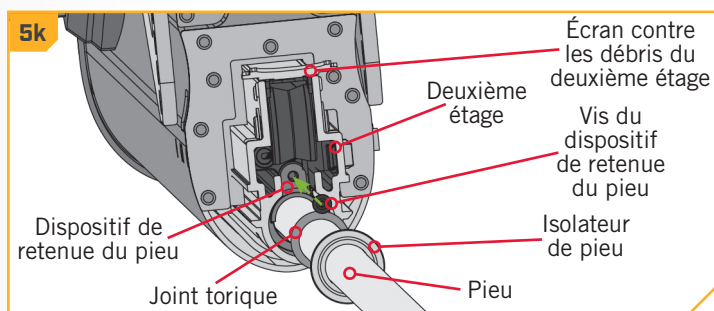
4

- i. Prenez le nouveau pieu et repérez la rainure le long d'une de ses extrémités. Faites glisser le nouvel isolateur de pieu puis le joint torique sur le pieu, à l'extrémité où se trouve la rainure. Faites-les glisser de manière à ce qu'ils se trouvent de 5 à 6 po (13 à 15 cm) de l'extrémité du pieu.
- j. Repérez l'anneau surélevé sur la courbe intérieure du dispositif de retenue du pieu et alignez-le avec la rainure à l'extrémité du pieu. Placez le dispositif de retenue du pieu sur le pieu de manière à ce qu'il soit verrouillé en place en alignant l'anneau surélevé et la rainure.



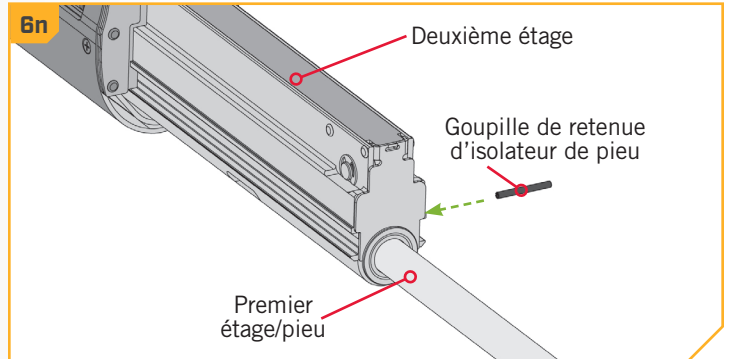
5

- k. Faites glisser l'assemblage pour le remettre en place dans le deuxième étage et replacez la vis du dispositif de retenue du pieu dans le dispositif de retenue du pieu en utilisant une clé hexagonale de 3/32 po.
- l. Une fois la vis bien en place, fermez l'écran contre les débris du deuxième étage.
- m. Poussez le joint torique et l'isolateur de pieu vers le deuxième étage jusqu'à ce qu'ils soient bien en place contre le dispositif de retenue du pieu et l'écran contre les débris du deuxième étage.



6

- n. Remplacez soigneusement la goupille de retenue d'isolateur de pieu en vous assurant que les extrémités de la goupille sont renforcées des deux côtés.
- o. Si le Talon a été retiré afin de remplacer le pieu, réassemblez le Talon dans le support de montage. Connectez à nouveau l'alimentation avant d'utiliser le Talon ou de rétracter le pieu.
- p. Appuyez sur le bouton Up (Montée) ▲ du panneau indicateur ou le bouton Up (Montée) 🏠 de la télécommande pour rétracter le Talon.



SERVICE ET ENTRETIEN

ENTRETIEN GÉNÉRAL



ATTENTION

Avant de commencer tout travail d'entretien, débranchez le Talon de la batterie ou, s'il est connecté à un interrupteur de sélection de batterie ou à un interrupteur de déconnexion d'alimentation, assurez-vous que ce dernier est en position Off (Arrêt). Ne pas débrancher l'alimentation pendant les travaux d'entretien peut mener à une électrocution, à un fonctionnement imprévu et à des blessures. Le Talon pourrait être déséquilibré et tomber pendant les travaux d'entretien. Soutenez le Talon sur toute sa longueur, y compris lorsque le pieu est déployé, afin de le garder bien en place et équilibré pendant les travaux d'entretien.

Minn Kota recommande d'intégrer le rinçage de l'ancre Talon à votre routine habituelle afin de minimiser toute accumulation sur l'ancre. Il est recommandé de suivre l'une des méthodes de rinçage énumérées ci-dessous après chaque utilisation.

› Rinçage en eau profonde de 30 secondes

(Recommandé)

1. Avant de remorquer ou de mettre votre bateau à quai, naviguez vers des eaux profondes excédant la capacité de profondeur de votre ancre Talon, dans une zone libre d'obstacles.
2. Appuyez à deux reprises sur le bouton Down (Descente)  se trouvant sur la télécommande afin de déployer automatiquement l'ancre Talon à sa longueur maximale.
3. Embrayez le moteur principal UNIQUEMENT AFIN QU'IL TOURNE AU RALENTI.
4. Appuyez une fois sur le bouton Up (Montée)  se trouvant sur la télécommande.

› Rinçage au boyau en position allongée

1. Déposez l'ancre Talon sur une surface horizontale et allongez-la à sa longueur maximale.
2. Pour plus de simplicité, nous vous suggérons d'utiliser un support de Talon inclinable (1810222). Sinon, retirez l'ancre Talon du support de montage et déposez-la sur une surface horizontale afin de l'allonger à sa longueur maximale et de la rincer.
3. Rincez les sections de l'ancre Talon de fond en comble alors qu'elle est allongée.
4. Rétractez l'ancre Talon, puis réinstallez-la à sa position verticale.

› Entretien supplémentaire

- Après la première utilisation du Talon, vérifiez périodiquement les vis hexagonales du capuchon et les écrous de blocage sur le support de montage et serrez-les à 30 lb-po (3,4 N m).
- Inspectez les fils et le câble d'alimentation du Talon afin de découvrir des signes d'usure, et gardez les câbles et les fils éloignés des zones passantes afin d'éviter les dommages.
- Après chaque utilisation, inspectez le pieu afin de découvrir de l'usure, des dommages ou des fissures. Remplacez le pieu s'il y a des dommages.

DÉPANNAGE

1. Pourquoi est-il souhaitable de pouvoir ajuster le Talon vers le haut ou le bas lors de l'installation sur mon bateau?
 - Chaque bateau a une position dans l'eau et un tirant d'eau (coque sous la ligne de flottaison) différents. Bien que Minn Kota recommande d'installer le support de montage du Talon aussi haut que possible sur le tableau arrière, Minn Kota recommande également que le bas du Talon soit situé au moins 4 po (10 cm) plus haut que la ligne inférieure de la coque de votre bateau. La possibilité d'effectuer un tel ajustement réduira la projection d'eau pouvant se produire lors des déplacements et offrira la meilleure stabilité possible pour le Talon.
2. Quand est-il souhaitable d'utiliser l'angle inverse du support lors de l'installation du Talon?
 - Certains modèles de bateaux possèdent des tableaux arrière pointés vers l'intérieur du bateau. Dans ces cas, on peut inverser le support de dégagement rapide du Talon pour tenir compte de cet angle inversé sans avoir à utiliser de cales.
3. Ai-je besoin d'une batterie distincte pour faire fonctionner le Talon?
 - Non, Minn Kota recommande de connecter votre Talon à la batterie de démarrage de votre bateau.
4. Puis-je installer une prise électrique sur les fils de connexion du Talon?
 - Oui. Minn Kota offre un accessoire de prise de déconnexion rapide (1810244) spécifiquement conçu pour le Talon.
5. Comment puis-je établir où et comment installer le Talon?
 - Cela dépendra du bateau. Il est important de s'assurer d'avoir des dégagements appropriés pour la direction et la compensation lors de la planification de votre installation. Consultez la section Installation de ce manuel pour obtenir des instructions détaillées.
6. De quel côté du bateau devrais-je installer le Talon?
 - Minn Kota recommande d'installer votre Talon sur le côté bâbord (gauche) de votre bateau, afin d'assurer un dégagement maximal entre le moteur du bateau et le panneau de contrôle du Talon. Cependant, on peut installer le Talon sur n'importe quel côté ou sur les deux côtés du bateau.
7. Comment puis-je installer le Talon si j'ai des volets?
 - Le Talon exige un dégagement d'au moins 6 po (15 cm) par rapport à la surface de montage. Si on a besoin de davantage de dégagement, ou s'il faut effectuer un montage par-dessus des volets, Minn Kota offre un accessoire d'appui surélevé de 6 po (15 cm) et une variété de plaques adaptatrices qui assureront un décalage (distance par rapport au tableau arrière) pour fournir un bon dégagement pour les volets et les autres accessoires.
8. Comment puis-je savoir si je dois utiliser un support adaptateur de montage?
 - Certains bateaux ont des tableaux arrière de forme irrégulière, et le support de montage à dégagement rapide standard pour le Talon ne peut pas être monté directement sur le tableau arrière. Dans d'autres cas, il y a d'autres accessoires, comme des volets, des transducteurs, des plateformes de poussée, etc., qui peuvent exiger un dégagement supplémentaire. Utilisez le Guide de sélection de support adaptateur pour Talon afin de sélectionner la bonne application pour votre bateau.

AVIS : Pour tout autre défaut de fonctionnement, visitez un centre de service agréé. Vous pouvez trouver un centre de service agréé dans votre région en consultant la liste de nos centres de service agréés sur le site minnkotamotors.com, ou en appelant notre service à la clientèle au 1 800 227-6433.

SERVICE ET ENTRETIEN

POUR D'AUTRES SERVICES DE DÉPANNAGE ET DE RÉPARATION

Nous offrons plusieurs options de dépannage et/ou de réparation pour le produit. Veuillez parcourir les options énumérées ci-dessous.

Acheter des pièces en ligne

Vous pouvez acheter des pièces en ligne directement à partir de notre site Web à minnkotamotors.com. Les commandes confirmées avant midi (heure du Centre) seront expédiées le même jour ouvrable, si les articles sont en stock et que l'expédition Prochain jour ouvrable est sélectionnée. Toutes les autres commandes seront expédiées en moins de 3 jours ouvrables, selon la méthode d'expédition choisie et la disponibilité des articles en stock.

Foire aux questions

Notre site Web met à votre disposition des FAQ visant à répondre à toutes vos questions au sujet des produits Minn Kota. Veuillez visiter le site Web minnkotamotors.com, puis cliquer sur « Foire aux questions » pour trouver réponse à vos questions.

Appelez-nous (pour les États-Unis et le Canada)

Nos représentants du service à la clientèle sont disponibles du lundi au vendredi, de 7 h à 16 h 30 (HNC), au 1 800 227-6433. Pour commander des pièces, veuillez avoir sous la main le numéro de série à 11 chiffres du produit, les numéros des pièces nécessaires et les renseignements relatifs à la carte de crédit. Vous économiserez ainsi du temps pour un service à la clientèle de qualité supérieure. Vous pouvez consulter la liste de votre manuel pour obtenir les numéros exacts de pièce.

Envoyez-nous un courriel

Envoyez-nous un courriel pour transmettre à notre service à la clientèle vos questions au sujet des produits Minn Kota. Pour transmettre votre question par courriel, visitez minnkotamotors.com, puis cliquez sur « Soutien ».

Centres de service agréés

On compte plus de 800 centres de service agréés Minn Kota aux États-Unis et au Canada pour acheter des pièces et faire réparer vos produits. Veuillez consulter la page Centres de service agréés sur notre site Web pour trouver un centre de service dans votre région.



Balayez le code QR pour visiter le service en ligne Minn Kota.

DÉCLARATIONS DE CONFORMITÉ

DÉCLARATION DE CONFORMITÉ ENVIRONNEMENTALE

Il est dans l'intention de JOME d'être une entreprise citoyenne responsable, dont l'exploitation est conforme à la réglementation environnementale en vigueur et qui est connue pour être un bon voisin dans les collectivités où nous fabriquons ou vendons nos produits.

DIRECTIVE DEEE

La directive européenne 2002/96/CE « Directive concernant les déchets d'équipements électriques et électroniques (DEEE) » a un impact sur la plupart des distributeurs, vendeurs et fabricants d'électronique pour le grand public au sein de l'Union européenne. La directive DEEE exige que le producteur d'électronique pour le grand public prenne une part de responsabilité, en ce qui concerne la gestion des déchets de leurs produits, afin d'atteindre une élimination écologique, et ce, tout au long du cycle de vie du produit.

Il se peut que, où vous êtes, vous ne soyez pas tenu d'agir en conformité avec la DEEE pour ce qui est des équipements électriques et électroniques (EEE), et il se peut qu'il en soit de même pour les EEE conçus et destinés à être utilisés comme installations fixes ou temporaires dans des véhicules de transport tels que des automobiles, avions et bateaux. Dans certains États de l'Union européenne, ces véhicules sont réputés ne pas relever de la directive, et les EEE, pour ces applications peuvent être considérés comme exclus de l'exigence de la directive DEEE.

Ce symbole (DEEE poubelle sur roues) sur le produit indique que ce dernier ne doit pas être jeté avec les déchets domestiques. Il doit être éliminé et collecté pour le recyclage et la récupération des DEEE. Johnson Outdoors Inc. marquera tous les produits EEE en conformité avec la directive DEEE. Nous désirons nous conformer à la collecte, au traitement, à la récupération et à l'élimination écologique judicieuse de ces produits, mais ces exigences varient au sein des différents États membres de l'Union européenne. Pour de l'information supplémentaire sur l'endroit où vous pouvez éliminer les équipements usagés pour leur recyclage et leur récupération et/ou selon les exigences particulières de l'État membre de l'Union européenne, veuillez communiquer avec le détaillant ou le distributeur duquel vous avez acheté le produit.



MISE AU REBUT

Les Talon Minn Kota ne sont pas soumis à la réglementation concernant l'élimination VGE-VO (directive pour les dispositifs électriques), qui transpose la directive DEEE. Néanmoins, ne jamais jeter votre Talon Minn Kota dans une poubelle, mais plutôt à l'endroit approprié où s'effectue la collecte, recommandé par le conseil municipal local.

Ne jamais jeter aucune batterie à la poubelle. Se conformer aux directives d'élimination du fabricant ou de son représentant et la jeter à l'endroit approprié où s'effectue la collecte, recommandé par le conseil municipal local.

INFORMATIONS DE CONFORMITÉ RÉGLEMENTAIRE

› Talon

CONTRÔLEUR : 2374151

- Contient des circuits intégrés : 216Q-1316
- Contient une ID de la FCC : T7V1316



TÉLÉCOMMANDE : 2994150

- Contient des circuits intégrés : 5123A-BGTBLE121LR
- Contient une ID de la FCC : QOQBLE121LR



DÉCLARATIONS DE CONFORMITÉ

CONFORMITÉ AUX NORMES FCC

Cet appareil est conforme à la partie 15 des règlements de la FCC. **Son fonctionnement est soumis aux deux conditions suivantes :**

1. Cet appareil ne peut pas provoquer d'interférences nuisibles.
2. Cet appareil doit accepter toute interférence qui peut être reçue, y compris les interférences pouvant entraîner un fonctionnement indésirable.

Les changements ou les modifications non expressément approuvés par Johnson Outdoors Marine Electronics, Inc. peuvent annuler l'autorisation de l'utilisateur de faire fonctionner cet équipement.

AVIS : Cet équipement a été testé et déclaré conforme aux limites d'un appareil numérique de classe B, conformément à la partie 15 des règlements de la FCC. Ces limites sont conçues pour fournir une protection raisonnable contre les interférences nuisibles dans une installation résidentielle. Cet équipement génère, utilise et peut émettre de l'énergie radioélectrique et, s'il n'est pas installé et utilisé conformément aux instructions, peut causer des interférences nuisibles aux communications radio. Cependant, il n'y a aucune garantie que des interférences ne surviendront pas dans une installation spécifique. **Si cet équipement provoque des interférences nuisibles à la réception des signaux de radio ou de télévision (on peut déterminer cela en éteignant et rallumant l'équipement), l'utilisateur est encouragé à essayer de corriger l'interférence par une ou plusieurs des mesures suivantes :**

- Réorientez ou déplacez l'antenne de réception.
- Augmentez la distance séparant l'équipement et le récepteur.
- Branchez l'équipement dans une prise sur un circuit différent de celui auquel le récepteur est branché.
- Consultez le détaillant ou un technicien radio/télévision expérimenté.

CONFORMITÉ AUX NORMES D'INDUSTRIE CANADA

Ce produit est conforme aux spécifications techniques applicables d'Industrie Canada. Son fonctionnement est soumis aux deux conditions suivantes : (1) cet appareil ne peut causer d'interférences et (2) il doit tolérer toute interférence, même celle pouvant causer un fonctionnement indésirable de l'appareil.

Les changements ou les modifications non expressément approuvés par Johnson Outdoors Marine Electronics, Inc. peuvent annuler l'autorisation de l'utilisateur de faire fonctionner cet équipement.

COTES ENVIRONNEMENTALES

Température ambiante de fonctionnement : 14 °F à 122 °F (-10 à 50 °C)

Humidité ambiante de fonctionnement : 5 à 95 %

Altitude maximale de fonctionnement : 10 000 pieds (3 048 mètres)

UTILISATION DE LA RADIO

CONTRÔLEUR

- Bande de fréquence : 2402 MHz to 2480 MHz
- Puissance radioélectrique transmise maximale : +10 dBm

TÉLÉCOMMANDE

- Bande de fréquence : 2402 MHz to 2480 MHz
- Puissance radioélectrique transmise maximale : +10 dBm

MARQUES DE COMMERCE

Minn KotaMD, i-PilotMD et i-PilotMD LinkMC sont des marques de commerce ou des marques déposées de Johnson Outdoors Marine Electronics, Inc.

Les marques et les logos BluetoothMD sont des marques déposées appartenant à Bluetooth SIG, Inc. et toute utilisation de ces marques par Johnson Outdoors, Inc. est sous licence. Les autres marques et noms commerciaux appartiennent à leurs propriétaires respectifs.

MANUEL DE L'UTILISATEUR MASTER CE (POUR MODÈLES CERTIFIÉS CE)

SCHÉMA DES PIÈCES ET LISTE DES PIÈCES

TALON

12 VOLTS - TALON DE 8 PI [2,4 M]/10 PI [3 M]/12 PI [3,7 M]/ 15 PI [4,6 M]

Ce schéma des pièces et cette liste des pièces fournissent les directives pour la dépose de Minn KotaMD en conformité avec la directive DEEE. Pour de l'information supplémentaire sur l'endroit où vous pouvez éliminer les équipements usagés pour leur recyclage et leur récupération et/ou selon les exigences particulières de l'État membre de l'Union européenne, veuillez communiquer avec le détaillant ou le distributeur duquel vous avez acheté le produit. Outils requis, entre autres : tournevis à tête plate, tournevis cruciforme, jeu de douilles, pinces, cisailles.

QUINCAILLERIE D'INSTALLATION ET TÉLÉCOMMANDE DU TALON >

> Diagramme des pièces de la télécommande et de la quincaillerie d'installation

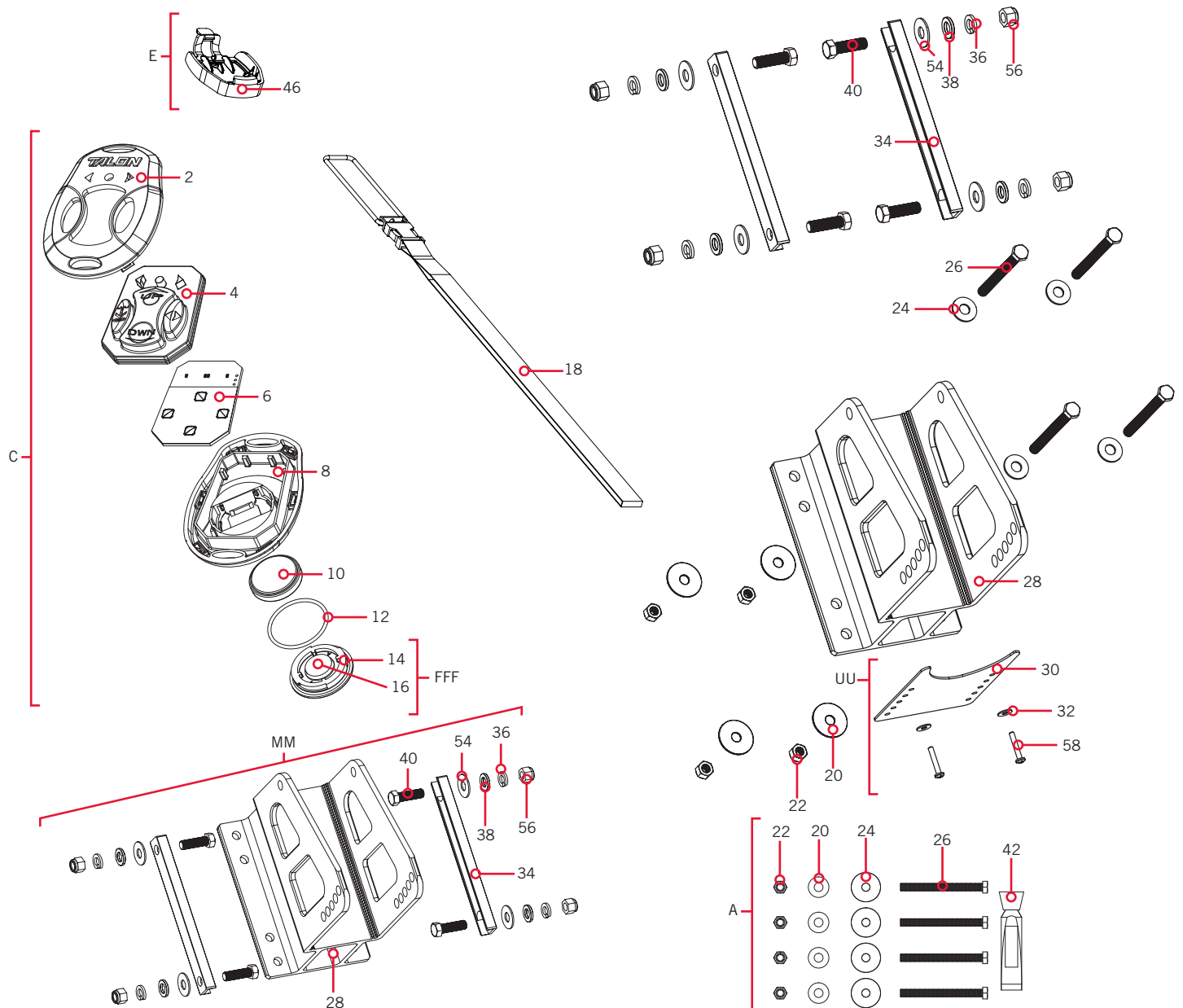


SCHÉMA DES PIÈCES ET LISTE DES PIÈCES

» Liste des pièces de la télécommande et de la quincaillerie d'installation

Ensemble	N° de pièce	Description	Quantité
A	2994903	TALON HARDWARE BAG ASSY	1
C	2994150	TRANSMITTER ASM, TALON 3	1
E	2771829	BRACKET,DASH MNT HLDR/TAPE KIT	1
MM	2778725	TILT BRACKET & HARDWARE KIT	1
UU	2886447	WATER SHIELD KIT, TALON BT	1
FFF	2886422	COVER, BATTERY COMPARTMENT ASY	1
Article	N° de pièce	Description	Quantité
2	2372542	CASE-REMOTE, TOP, TALON 3	1
4	2375122	KEYPAD-REMOTE, TALON 3	1
6	*	CTRL BOARD, TRNSMTR, TALON 3	1
8	2372545	CASE-REMOTE, BTM, TALON 3	1
10	*	BATTERY CR2450	1
12	2376941	GASKET,BATTERY COMPARTMENT	1
14	*	COVER, BATTERY COMPRT(SUB)	1
16	*	PAD-FOAM, I-PILOT 1.5	1
18	2390801	LANYARD, REMOTE	1
20	2371752	WASHER-FENDER, 5/16, SS	4
22	2223100	NUT-5/16-18 NYLOCK S/S	4
24	2371749	WASHER-FLAT 5/16 SS	4
26	2373525	BOLT-5/16-18 X 3 1/2" HHCS SS	4
28	2378725	BRACKET-TILT-MACH	1
30	2376447	WATER SHIELD, DEFLECTOR - TALON 2	1
32	2371754	#8 WASHER, 1/2" OD, SS	2
34	2373815	TALON MOUNTING STRAP, T2	2
36	3391706	WASHER, LOCK - 3/8"	4
38	2371758	3/8 HD FLAT WASHER, SS	4
40	2383459	3/8-24 X 1.25 HHCS, SS	4
42	2378608	ANTI SEIZE TUBE, 4CC, TALON	1
44	2014802 ▲	BAG-ZPLCK(4X6)4ML ANTISTATIC	1
46	2371829	BRACKET, RMT DASH MNT HLDR	1
48	2375104 ▲	TAPE, MNTG FOAM ULINE #S-10131	1
50	2377170 ▲	MANUAL, TALON BT	1
52	2377171 ▲	MANUAL, INSTALL GUIDE T3	1
54	2378716	GUARD, EXTRUSION BRACKET	4
56	2373138	3/8-24 NYLOK NUT, SS	4
58	2263434	#8-18 X 1 SS PPH	2
60	2297165 ▲	MANUAL-DISCLAIMER, DWNLOAD INFO	1

* Cette pièce est incluse dans un ensemble et ne peut pas être commandée individuellement.

▲ Non visible sur le schéma des pièces.

SCHEMA DES PIÈCES ET LISTE DES PIÈCES

MOTEUR TALON >

> Schéma des pièces du moteur

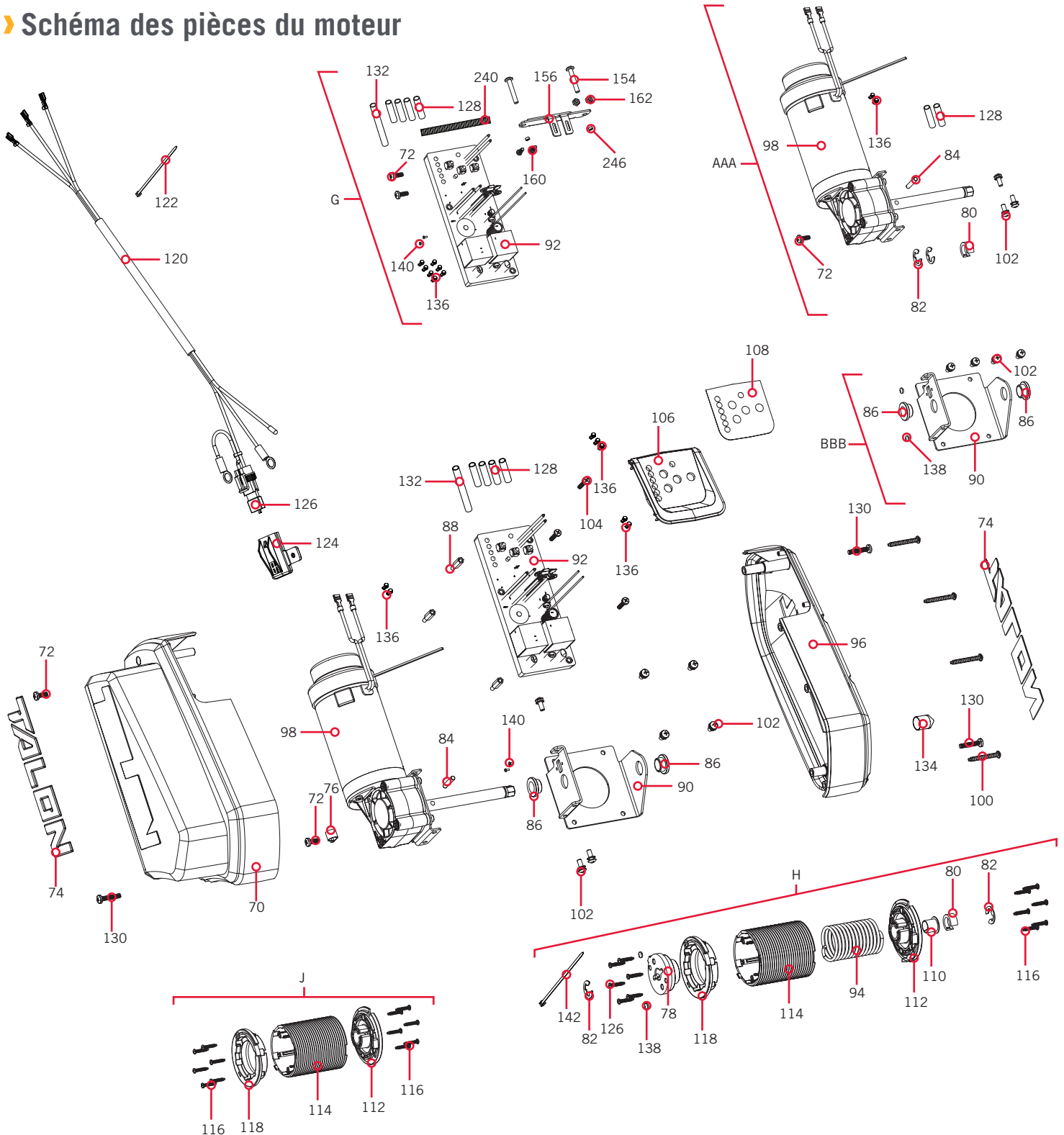


SCHÉMA DES PIÈCES ET LISTE DES PIÈCES

» Liste des pièces du moteur

Ensemble	N° de pièce	Description	Quantité
G	2774151	CONTROL BOARD KIT, TALON BT	1
H	2777921	WRAP DRUM REPLACEMENT KIT BT	1
J	2997921	MODULAR WRAP DRUM ASM - TALON 3 - 15FT	1
AAA	2887822	MOTOR ASM KIT, TALON BT	1
BBB	2888745	MOTOR MOUNT WRAP DRUM KIT	1
Article	N° de pièce	Description	Quantité
70	2376581	HOUSING,LEFT,BLACK,TALON 3 *8FT RED* *8FT BLUE* *8FT BLACK* *8FT SILVER/BLACK* *10FT RED* *10FT BLUE* *10FT BLACK* *10FT SILVER/BLACK* *10FT SILVER/WHITE* *10FT WHITE* *15FT*	1
	2376582	HOUSING,LEFT,WHITE,TALON 3 *8FT SILVER/WHITE* *8FT WHITE* *10FT SILVER/WHITE* *10FT WHITE* *12FT SILVER/WHITE* *12FT WHITE*	1
72	2303434	SCREW-8-32 X 5/8 PPMS SS	2
74	2378871	DECAL, SIDE TALON 3	2
76	2040721	CLAMP CABLE, 3/16"	1
78	2377906	HUB, WRAP DRUM, ALUMINUM	1
80	2371537	WRAP DRUM SPACER	1
82	2373005	E-RING EXTERNAL SS .500	2
84	3392640	PIN, DRIVESHAFT	1
86	2227304	BUSHING-HAT 1/2" SHAFT BRONZE	2
88	2371538	CONTROL BOARD SPACER, T2	3
90	2378745	WRAP DRUM MOUNT, TALON 2	1
92	*	PCB-ASM, TALON 3	1
94	2372749	SPRING TORSION, WRAP DRUM - TALON 3	1
96	2376583	HOUSING,RIGHT,BLACK,TALON 3 *8FT RED* *8FT BLUE* *8FT BLACK* *8FT SILVER/BLACK* *10FT RED* *10FT BLUE* *10FT BLACK* *10FT SILVER/BLACK* *10FT SILVER/WHITE* *10FT WHITE* *15FT*	1
	2376584	HOUSING,RIGHT,WHITE,TALON 3 *8FT SILVER/WHITE* *8FT WHITE* *10FT SILVER/WHITE* *10FT WHITE* *12FT SILVER/WHITE* *12FT WHITE*	1
98	2377824	MOTOR ASM SEALED	1
100	2383457	8-16X1.5 PLASTITE, SS	4
102	2373481	SCREW-#10-32 X 1/2"SEMS PPH SS	7
104	2303434	SCREW-8-32 X 5/8 PPMS SS	3
106	2370257	COVER,BEZEL,BLACK, TALON 3 *8FT RED* *8FT BLUE* *8FT BLACK* *8FT SILVER/BLACK* *10FT RED* *10FT BLUE* *10FT BLACK* *10FT SILVER/BLACK* *10FT SILVER/WHITE* *10FT WHITE* *15FT*	1
	2370258	COVER,BEZEL,WHITE, TALON 3 *8FT SILVER/WHITE* *8FT WHITE* *10FT SILVER/WHITE* *10FT WHITE* *12FT SILVER/WHITE* *12FT WHITE*	1
108	2375878	DECAL- BT TALON BEZEL – BLACK *8FT RED* *8FT BLUE* *8FT BLACK* *8FT SILVER/BLACK* *8FT SILVER/WHITE* *10FT RED* *10FT BLUE* *10FT BLACK* *10FT SILVER/BLACK* *10FT SILVER/WHITE* *12FT RED* *12FT BLUE* *12FT BLACK* *12FT SILVER/BLACK* *12FT SILVER/WHITE* *15FT BLACK* *15FT SILVER/BLACK*	1
	2375879	DECAL- BT TALON BEZEL – WHITE *8FT WHITE* *10FT WHITE* *12FT WHITE*	1

* Cette pièce est incluse dans un ensemble et ne peut pas être commandée individuellement.

▲ Non visible sur le schéma des pièces.

SCHÉMA DES PIÈCES ET LISTE DES PIÈCES



Article	N° de pièce	Description	Quantité
110	2376012	BEARING, WRAP DRUM	1
112	✖	FLANGE CLOSED END	1
114	✖	WRAP DRUM MODULAR, TALON 3	1
116	✖	SCREW, #6 X 0.50 SS HI-LOW	12
118	✖	FLANGE, OPEN END	1
120	2778514	POWER CORD	1
122	9950433	TIE WRAP, 4"	1
124	2370279	CAP-RESETTABLE FUSE HOLDER	1
126	2378231	RESETTABLE FUSE	1
128	2305404	SHRINK TUBE-.374 ID X 1.0"	4
130	2383458	8-32X1 PPH, SS	3
132	2305402	SHRINK TUBE-.374 ID X 2.25"	1
134	2376727	CAP PLUG VINYL 1/2"	1
136	2040340	CONNECTOR, SCOTCHLOK, UY2	7
138	✖	MAGNET-.187X.125NCKL PLT	2
140	2373485	SCREW-#6-32X1/4"PPH SS	2
142	✖	TIE WRAP-DH35 11.5"	1

✖ Cette pièce est incluse dans un ensemble et ne peut pas être commandée individuellement.

▲ Non visible sur le schéma des pièces.



SCHÉMA DES PIÈCES ET LISTE DES PIÈCES

EXTRUSION EXTERNE DU TALON

Diagramme des pièces de l'extrusion externe

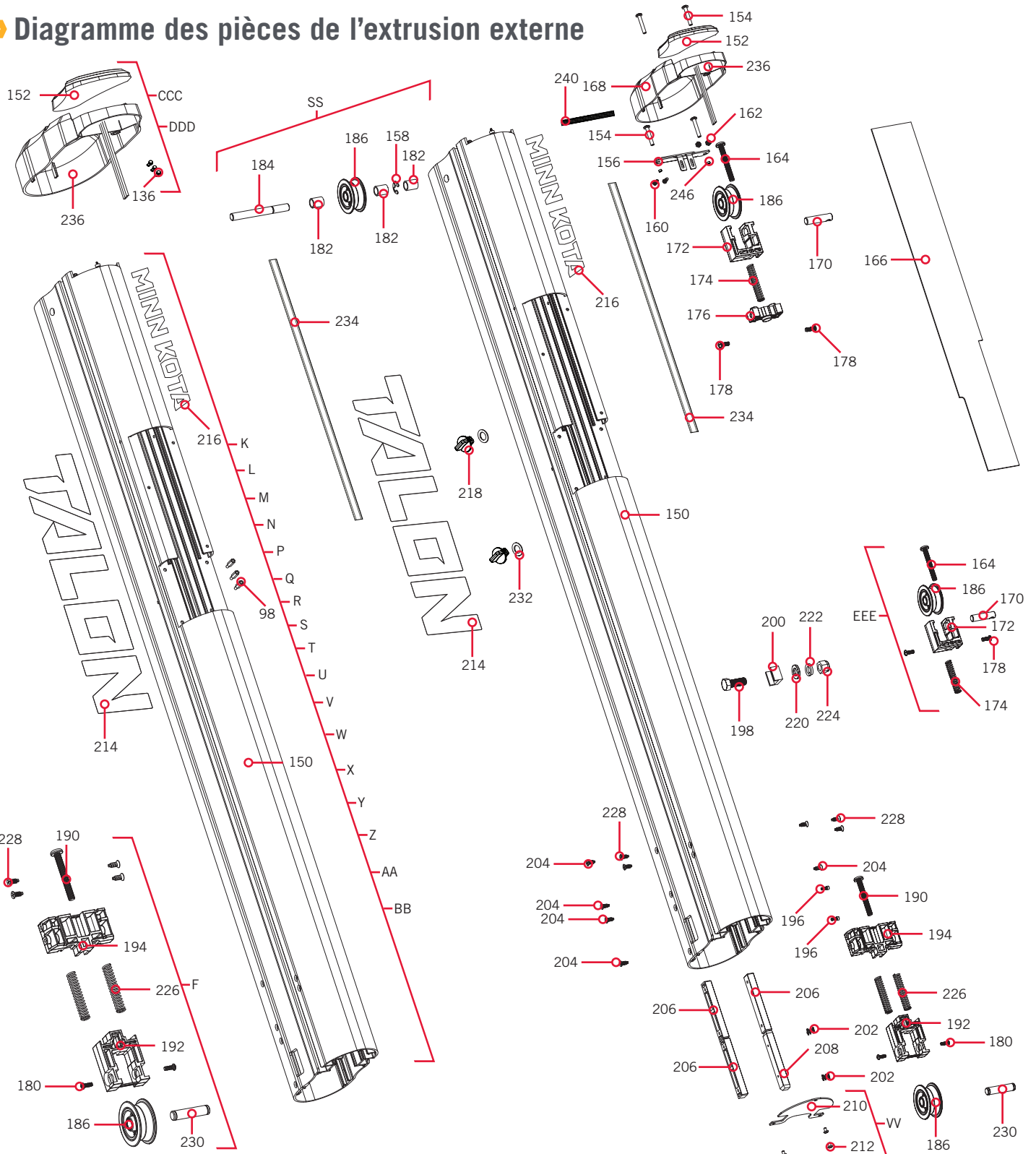


SCHÉMA DES PIÈCES ET LISTE DES PIÈCES

» Liste des pièces de l'extrusion externe

Ensemble	N° de pièce	Description	Quantité
F	2273631	EXTENSIONER CABLE TENSIONER KIT	1
K	2777940	EXTRUSION 8' SLVR BT RPLC KIT	1
L	2777941	EXTRUSION 8' BLACK BT RPLC KIT	1
M	2777942	EXTRUSION 8' BLUE BT RPLC KIT	1
N	2777943	EXTRUSION 8' RED BT RPLC KIT	1
P	2777944	EXTRUSION 8' WHITE BT RPLC KIT	1
Q	2777945	EXTRUSION 10' SLVR BT RPLC KIT	1
R	2777946	EXTRUSION 10' BLK BT RPLC KIT	1
S	2777947	EXTRUSION 10' BLUE BT RPLC KIT	1
T	2777948	EXTRUSION 10' RED BT RPLC KIT	1
U	2777949	EXTRUSION 10' WHT BT RPLC KIT	1
V	2777950	EXTRUSION 12' SLVR BT RPLC KIT	1
W	2777951	EXTRUSION 12' SLVR BT RPLC KIT	1
X	2777952	EXTRUSION 12' BLUE BT RPLC KIT	1
Y	2777953	EXTRUSION 12' RED BT RPLC KIT	1
Z	2777954	EXTRUSION 12' WHT BT RPLC KIT	1
AA	2777955	EXTRUSION 15' SLVR BT RPLC KIT	1
BB	2777956	EXTRUSION 15' BLK BT RPLC KIT	1
SS	2882660	UPPER PULLEY KIT, LARGE	1
VV	2886470	WATER GUARD KIT, TALON BT	1
CCC	2994151	TALON BT TOP CAP ASM, WHT	1
DDD	2994152	TALON BT TOP CAP ASM, BLK	1
EEE	2772350	TENSIONER ASSEMBLY KIT	1
Article	N° de pièce	Description	Quantité
150	✖	OUTER EXTRUSION 8' BRIGHT CLEAR *8FT SILVER/BLACK* *8FT SILVER/WHITE*	1
	✖	OUTER EXTRUSION 8' BLACK *8FT BLACK*	1
	✖	OUTER EXTRUSION 8' BLUE *8FT BLUE*	1
	✖	OUTER EXTRUSION 8' RED *8FT RED*	1
	✖	OUTER EXTRUSION 8' WHITE *8FT WHITE*	1
	✖	OUTER EXTRUSION 10' BRIGHT CLEAR *10FT SILVER/BLACK* *10FT SILVER/WHITE*	1
	✖	OUTER EXTRUSION 10' BLACK *10FT BLACK*	1
	✖	OUTER EXTRUSION 10' BLUE *10FT BLUE*	1
	✖	OUTER EXTRUSION 10' RED *10FT RED*	1
	✖	OUTER EXTRUSION 10' WHITE *10FT WHITE*	1
	✖	OUTER EXTRUSION 12' BRIGHT CLEAR *12FT SILVER/BLACK* *12FT SILVER/WHITE*	1
	✖	OUTER EXTRUSION 12' BLACK *12FT BLACK*	1

✖ Cette pièce est incluse dans un ensemble et ne peut pas être commandée individuellement.

▲ Non visible sur le schéma des pièces.

SCHÉMA DES PIÈCES ET LISTE DES PIÈCES



Article	N° de pièce	Description	Quantité
150	*	OUTER EXTRUSION 12' BLUE *12FT BLUE*	1
	2377953	OUTER EXTRUSION 12' RED *12FT RED*	1
	2377954	OUTER EXTRUSION 12' WHITE *12FT WHITE*	1
	2377955	OUTER EXTRUSION 15' BRIGHT CLEAR *15FT SILVER/BLACK*	1
	2377956	OUTER EXTRUSION 15' BLACK *15FT BLACK*	1
152	2378870	DECAL, COVER, TALON 3	1
154	2263434	#8-18 X 1 SS PPH	4
156	2378705	SENSOR BRACKET, TALON2	1
158	2370832	C-CLIP, 3/8 LOW CLEARANCE - SS	1
160	2373439	SCREW-#4-40 X 5/16" PPH SS	2
162	2373106	NUT-#4-40, NYLOK, SS	2
164	*	SCREW, 1/4 -20 X 2.75" PPH, SS	1
166	2378865	CHANNEL DIVIDER, 8' *8 FT*	1
	2378866	CHANNEL DIVIDER, 10'/12' *10FT* *12FT*	1
	2378867	CHANNEL DIVIDER, 15' *15FT*	1
168	2370252	COVER, BLACK, TALON 3 *8FT RED* *8FT BLUE* *8FT BLACK* *8FT SILVER/BLACK* *10FT RED* *10FT BLUE* *10FT BLACK* *10FT SILVER/BLACK* *10FT SILVER/WHITE* *10FT WHITE* *15FT*	1
	2370253	COVER, WHITE, TALON 3 *8FT SILVER/WHITE* *8FT WHITE* *10FT SILVER/WHITE* *10FT WHITE* *12FT SILVER/WHITE* *12FT WHITE*	1
170	*	TENSIONER-PULLEY-PIN	1
172	*	TENSIONER BLOCK	1
174	2372742	SPRING, PISTON	1
176	2373201	TENSIONER STOP	1
178	*	#8-16 X 3/4 PLASTITE SCREW, SS	2
180	*	SCREW-1/4-20 X 1/2" MCH SS	2
182	2371765	PULLEY SPACER, SHORT	3
184	2372660	PIN, PULLEY-LONG, TALON2	1
186	*	LG IDLER PULLEY W BUSHING	3
190	*	SCREW-1/4-20 X 2" PPH SS/REI	1
192	*	SLIDE-EXTENSION TENSIONER	1
194	*	STOP-EXTENSION TENSIONER	1
196	2383468	SCREW, #4-40 X 5-16" SHCS SS	2
198	2373529	3/8-24 X 1" HHCS, SS	1
200	2372850	TALON STOP BOLT EXTRUSION MACHINED	1
202	2372740	SPRING, GIB TENSION	2
204	2383461	SCREW 8-18 X .437 HI-LO PFH	6
206	2372820	SLIDE GIB-LOWER	3
208	2372827	SLIDE GIB-UPPER FLOATING	1

* Cette pièce est incluse dans un ensemble et ne peut pas être commandée individuellement.

▲ Non visible sur le schéma des pièces.



SCHÉMA DES PIÈCES ET LISTE DES PIÈCES



Article	N° de pièce	Description	Quantité
210	2376470	DEBRIS SHIELD, BASE	1
212	2378601	STAINLESS POP RIVET, 1/8"	3
214	2376833	DECAL, BT TALON LOGO *8FT RED* *8FT BLUE* *8FT BLACK* *8FT SILVER/BLACK* *8FT SILVER/WHITE* *10FT RED* *10FT BLUE* *10FT BLACK* *10FT SILVER/BLACK* *10FT SILVER/WHITE* *12FT RED* *12FT BLUE* *12FT BLACK* *12FT SILVER/BLACK* *12FT SILVER/WHITE* *15FT BLACK* *15FT SILVER/BLACK*	1
	2376834	DECAL, BT TALON LOGO-WHITE *8FT WHITE* *10FT WHITE* *12FT WHITE*	1
216	2376835	DECAL, BT TALON 8 MK *8FT RED* *8FT BLUE* *8FT BLACK* *8FT SILVER/BLACK* *8FT SILVER/WHITE*	1
	2376836	DECAL, BT TALON 8 MK-WHITE *8FT WHITE*	1
	2376837	DECAL, BT TALON 10/12 MK *10FT RED* *10FT BLUE* *10FT BLACK* *10FT SILVER/BLACK* *10FT SILVER/WHITE* *12FT RED* *12FT BLUE* *12FT BLACK* *12FT SILVER/BLACK* *12FT SILVER/WHITE*	1
	2376838	DECAL, BT TALON 10/12 MK-WH *10FT WHITE* *12FT WHITE*	1
	2376839	DECAL, BT TALON 15 MK *15FT BLACK* *15FT SILVER/BLACK*	1
218	2372930	CORD RETAINER	2
220	2371758	3/8 HD FLAT WASHER, SS	1
222	3391706	WASHER LOCK - 3/8"	1
224	2373138	3/8-24 NYLOK NUT, SS	1
226	✖	SPRING, PISTON	2
228	2383474	SCREW-#8-16 X 1/2",PFH,SS,PLST	4
230	✖	PIN-EXTENSION TENSIONER	1
232	2371723	WASHER, POLYURETHANE 3/8"	2
234	2378758	CHANNEL COVER, 15'	2
	2378757	CHANNEL COVER, 11/12'	2
	2378756	CHANNEL COVER, 8'	2
236	✖	CTRL BOARD ASM, LED, TALON 3	1
238	2375559 ▲	LABEL, TALON BRKT TORQUE WARN.	1
240	2298800	LOOM-WIRE, 1/4 X 4"	1
246	2371780	SPACER #8 X .188	2

✖ Cette pièce est incluse dans un ensemble et ne peut pas être commandée individuellement.

▲ Non visible sur le schéma des pièces.



SCHÉMA DES PIÈCES ET LISTE DES PIÈCES

TROISIÈME ÉTAGE DU TALON

Diagramme des pièces du troisième étage

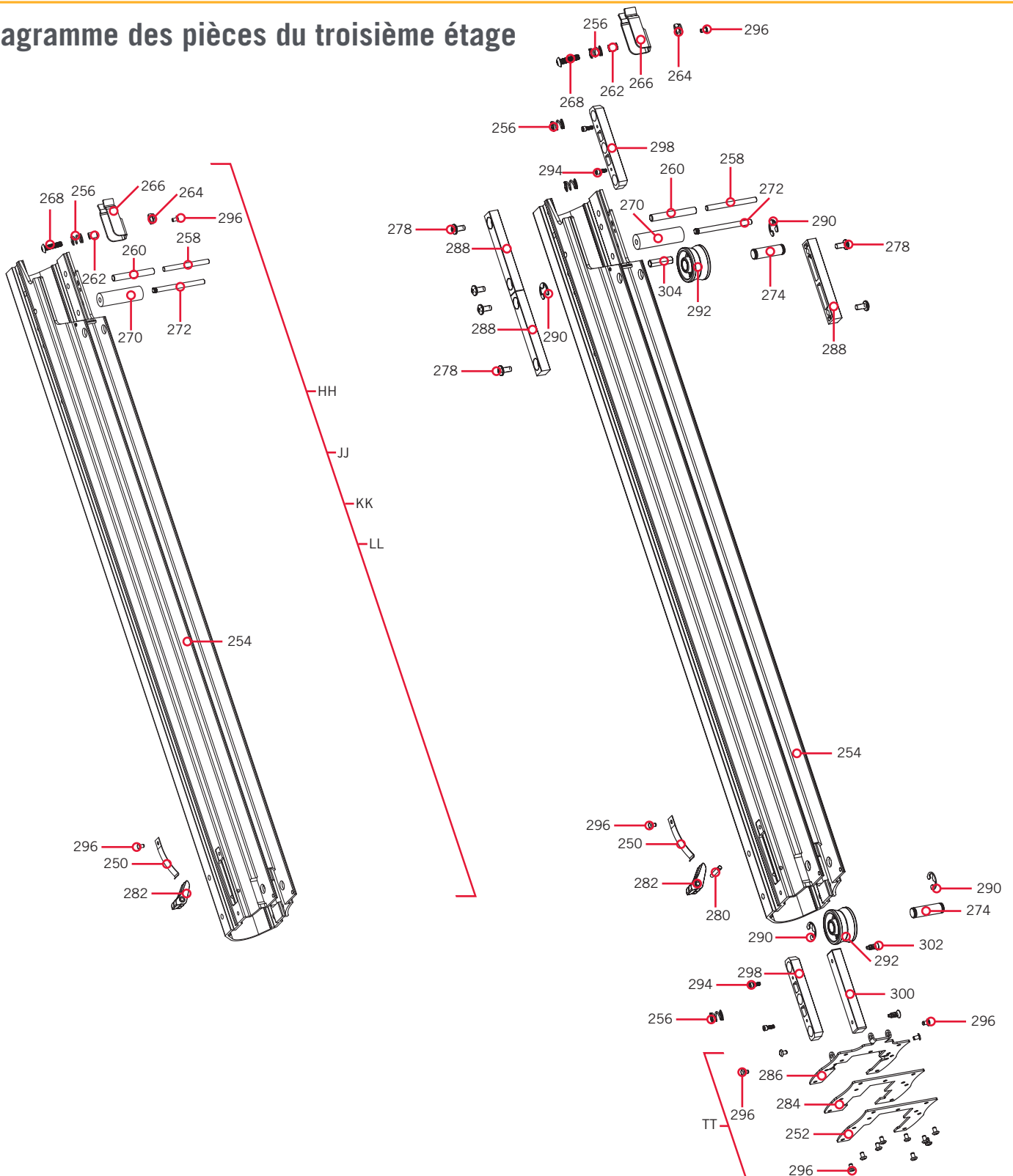


SCHÉMA DES PIÈCES ET LISTE DES PIÈCES

» Liste des pièces du troisième étage

Ensemble	N° de pièce	Description	Quantité
HH	2778091	THIRD STAGE EXTRS. 8' RPLC KIT	1
JJ	2778092	THIRD STAGE EXTRS.10' RPLC KIT	1
KK	2778093	THIRD STAGE EXTRS.12' RPLC KIT	1
LL	2778094	THIRD STAGE EXTRS.15' RPLC KIT	1
TT	2884665	WIPER, RIVET KIT, 2ND STAGE BT	1
Article	N° de pièce	Description	Quantité
250	2372748	SPRING, LATCH STAGE 3 TALON	1
252	*	WIPER RETAINER	1
254	2378091	THIRD STAGE MACHINED 8', TALON 3 *8FT*	1
	2378092	THIRD STAGE MACHINED 10', TALON 3 *10FT*	1
	2378093	THIRD STAGE MACHINED 12', TALON 3 *12FT*	1
	2378094	THIRD STAGE MACHINED 15', TALON 3 *15FT*	1
256	2372740	SPRING, GIB TENSION	2
258	2372669	PIN-DOWEL, 3RD STAGE SUPPORT	1
260	2372668	3RD STAGE SUPPORT PIN	1
262	2371781	SPACER, LATCH SS	1
264	2333101	#10-24 NYLOCK NUT, SS	1
266	2377220	CLIP, 3RD STAGE	1
268	2383469	SCREW-#10-24 X 3/4 SS, BHCS	1
270	2375418	2ND STAGE INSULATOR, 1/4" STOP PIN, TALON2	1
272	2372659	PIN-DOWEL 3/16" X 2.5" SS, TALON2	1
274	2372316	SHAFT, IDLER	2
278	2323409	SCREW-#10-24 X 3/8 PPH MACH SS	6
280	2372653	PIN, KNURLED - 1/8"	1
282	2377201	LATCH, THIRD STAGE MOLDED	1
284	*	WIPER 2ND STAGE	1
286	*	DEBRIS SHIELD, 2ND STAGE WIPER	1
288	2372828	SLIDE GIB-UPPER	3
290	2370832	C-CLIP, 3/8 LOW CLEARANCE - SS	4
292	2992365	SM IDLER PULLEY W BUSHING	2
294	2383468	SCREW, #4-40 X 5-16" SHCS SS	4
296	2378601	STAINLESS POP RIVET, 1/8"	15
298	2372827	SLIDE GIB-UPPER FLOATING	2
300	2372820	SLIDE GIB-LOWER	1
302	2383461	SCREW 8-18 X .437 HI-LO PFH	2
304	2372643	PIN-SPRING, 1/8 X 1, SS	1

* Cette pièce est incluse dans un ensemble et ne peut pas être commandée individuellement.

▲ Non visible sur le schéma des pièces.

SCHÉMA DES PIÈCES ET LISTE DES PIÈCES

PREMIER ET DEUXIÈME ÉTAGES DU TALON

Diagramme des pièces des premier et deuxième étages

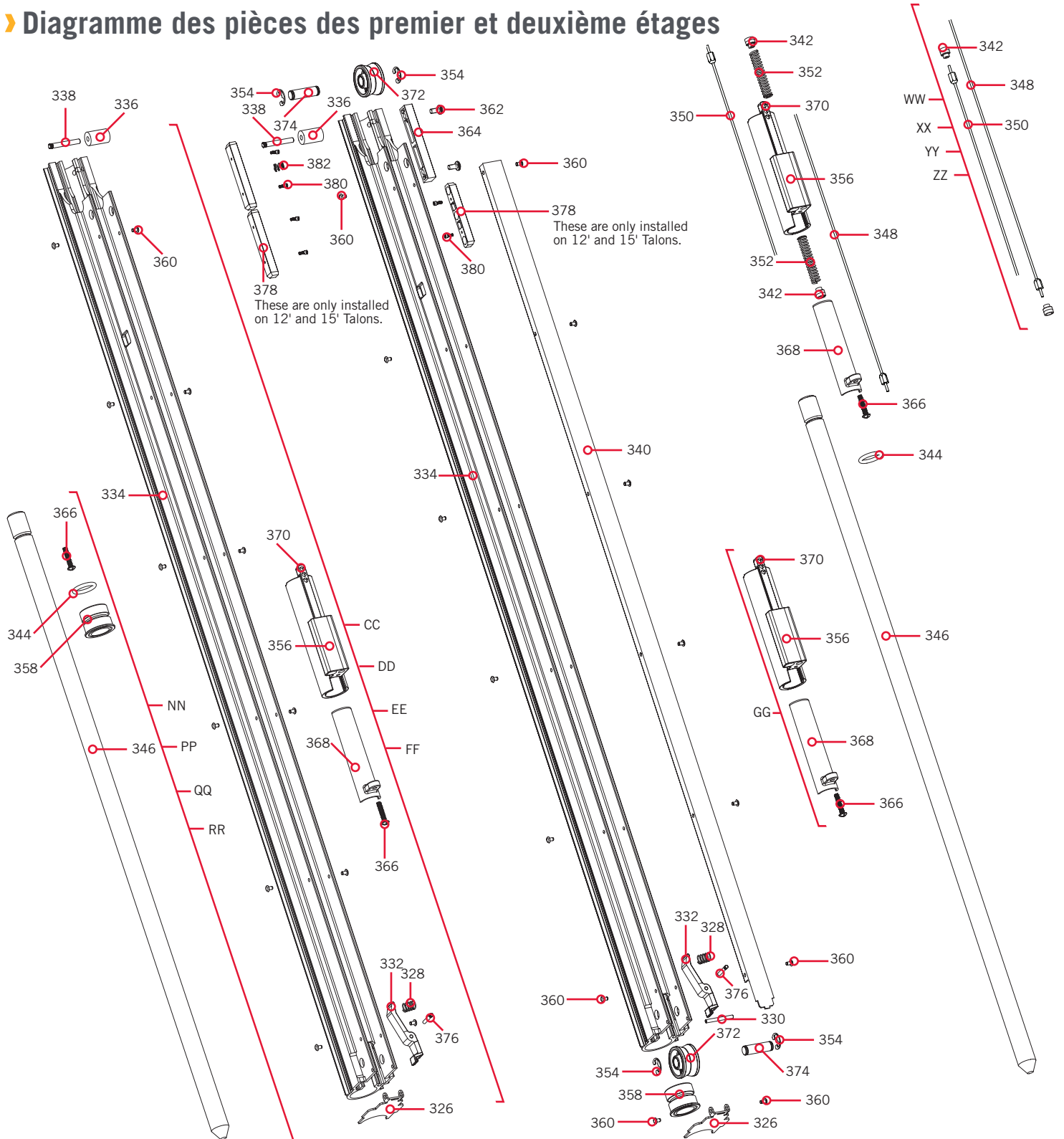


SCHÉMA DES PIÈCES ET LISTE DES PIÈCES

› Liste des pièces des premier et deuxième étages du Talon

Ensemble	N° de pièce	Description	Quantité
CC	2778056	SECOND STAGE EXTRS. 15' RPLC KIT	1
DD	2778057	SECOND STAGE EXTRS. 8' RPLC KIT	1
EE	2778058	SECOND STAGE EXTRS. 10' RPLC KIT	1
FF	2778059	SECOND STAGE EXTRS. 12' RPLC KIT	1
GG	2991545	TALON 3 PISTON ASSEMBLY	1
NN	2882028	SPIKE REPLACEMENT KIT, 15'	1
PP	2882007	SPIKE REPLACEMENT KIT, 10'	1
QQ	2882008	SPIKE RPLC KIT 12' / 2-STG 8'	1
RR	2882027	SPIKE REPLACEMENT KIT 8'	1
WW	2887520	CABLE RPLCMNT KIT 8' TALON BT	1
XX	2887522	CABLE RPLCMNT KIT 10' TALON BT	1
YY	2887524	CABLE RPLCMNT KIT 12' TALON BT	1
ZZ	2887526	CABLE RPLCMNT KIT 15' TALON BT	1
Article	N° de pièce	Description	Quantité
326	2376440	2ND STAGE DEBRIS SHIELD	1
328	2372743	SPRING, .36 X .5	1
330	2372654	PIN, SPRING 1/8 X 1-1/4, SS	1
332	2377205	LATCH SECOND STAGE	1
334	2378057	SECOND STAGE, MACHINED 8', TALON 3	1
	2378058	SECOND STAGE, MACHINED 10', TALON 3	1
	2378059	SECOND STAGE, MACHINED 12', TALON 3	1
	2378056	SECOND STAGE, MACHINED 15', TALON 3	1
336	2375416	INSULATOR, 1/4" STOP PIN	1
338	2372645	3/16" X 1.5" KNURLED PIN, SS	1
340	2378826	DEBRIS CHANNEL, 8' *8FT*	1
	2378823	DEBRIS CHANNEL, 10' *10FT*	1
	2378824	DEBRIS CHANNEL, 12' *12FT*	1
	2378827	DEBRIS CHANNEL, 15' *15FT*	1
342	2370850	CABLE KEEPER	2
344	2374632	O-RING, 3/4" ID X .125 *8FT* *10FT* *12FT*	1
346	✖	SPIKE, .75" X 56.4" (15') *15FT*	1
	✖	SPIKE, .75" X 56.4" (12') *12FT*	1
	✖	SPIKE, .75" X 48.4" (10') *10FT*	1
	✖	SPIKE, .75" X 40.4", (8') *8FT*	1

✖ Cette pièce est incluse dans un ensemble et ne peut pas être commandée individuellement.

▲ Non visible sur le schéma des pièces.

SCHÉMA DES PIÈCES ET LISTE DES PIÈCES



Article	N° de pièce	Description	Quantité
348	✖	CABLE ASM TLN3, EXT 15' *15FT*	1
	✖	CABLE ASM TLN3, EXT 12' *12FT*	1
	✖	CABLE ASM TLN3, EXT 10' *10FT*	1
	✖	CABLE ASM TLN3, EXT 8' *8FT*	1
350	✖	CABLE ASM TLN3, RET 15' *15FT*	1
	✖	CABLE ASY, 2MM, RETRACT 10/12 *10FT* *12FT*	1
	✖	CABLE ASY, 2MM, RETRACT 8' (SUB) *8FT*	1
352	2372742	SPRING, PISTON	2
354	2370832	C-CLIP, 3/8 LOW CLEARANCE - SS	4
356	2371545	PISTON-TALON 3	1
358	2778825	SPIKE ISOLATOR	1
360	2378601	STAINLESS POP RIVET, 1/8"	12
362	2323409	SCREW-#10-24 X 3/8 PPH MACH SS	2
364	2372828	SLIDE GIB-UPPER	1
366	2383477	#8-16 X 7/8" PLASTITE SCREW, SS	1
368	2372932	RETAINER-STAKE, TALON 3	1
370	✖	.187 X .125 MAGNET	3
372	2992365	SM IDLER PULLEY W BUSHING	2
374	2372316	SHAFT, IDLER	2
376	2372653	PIN, KNURLED - 1/8"	1
378	2372827	SLIDE GIB-UPPER FLOATING	3
380	2383468	SCREW, #4-40 X 5-16" SHCS SS	6
382	2322740	SPRING, GIB TENSION	1

✖ Cette pièce est incluse dans un ensemble et ne peut pas être commandée individuellement.

▲ Non visible sur le schéma des pièces.



REMARQUES



A large area containing multiple horizontal lines for writing, intended for recording remarks or observations.

ACCESSOIRES RECOMMANDÉS

› CHARGEURS DE BATTERIE EMBARQUÉS ET PORTATIFS

Ne plus acheter de nouvelles batteries et commencer à prendre soin de celles déjà en votre possession. Plusieurs chargeurs peuvent en fait endommager les batteries à la longue, pouvant entraîner une autonomie réduite et une durée de vie plus courte. Les chargeurs Minn Kota à commande numérique assurent une charge rapide pour une protection et une durée de vie prolongée.



MK212PC



MK210D



MK110PD

› ACCESSOIRES DE TALON

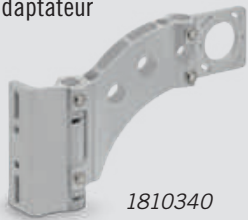
SUPPORTS ADAPTATEURS MODULAIRES UNIVERSELS ›

Il est facile de choisir votre support et de l'installer. Et il est presque impossible de l'arrêter. Les supports adaptateurs modulaires universels de Talon sont plus robustes que la normale, et leur design modulaire innovant vous permet de mettre Talon dans la position parfaite sur votre bateau.

Une force sans égal

Nous fabriquons Talon avec une puissance intransigeante. Et nous fabriquons les supports de la même manière. Fabriqués avec de l'aluminium extrudé et renforcés par un assemblage robuste, nos supports permettent de stabiliser Talon pour un remorquage ou pour traverser des eaux agitées.

Support adaptateur
timon



1810340

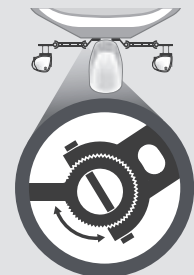
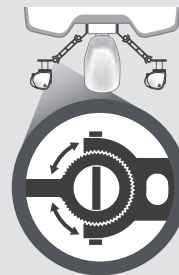
Support adaptateur
en sandwich



1810303

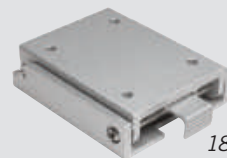
Design modulaire universel

Deux supports. N'importe quel tableau arrière. Le design universel s'adapte à toutes les situations, et les supports peuvent être réglés et ajustés pour atteindre la position idéale. Deux points de pivot vous permettent de mettre Talon dans la position idéale (en fonction du style de votre tableau arrière, de l'emplacement du hors-bord et d'autres facteurs). Une fois en position, enclencher les dents de la pince vers le bas pour verrouiller la position.



SUPPORT INCLINABLE TALON ›

Ce support inclinable en aluminium anodisé de qualité marine convient aux zones à hauteur limitée et aux entrepôts de bateaux. Doté d'un support de pont réglable pour une stabilité supplémentaire lors de l'inclinaison.



1810222

