

AA702A.1: WINDLASS CHAIN ONLY WIRING FOR 702/703 BASE STATION SYSTEMS



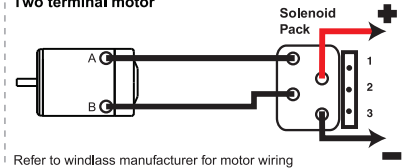
AA702 TERM	
BATT (-)	(-)
BATT (+)	(+)
OUT 1 (+)	(+)
OUT 2 (+)	(+)
OUT 3 (+)	(+)
OUT 4 (+)	(+)
OUT 5 White	(+)
OUT 6 Brown	(+)

AA702A Base Station Internal Connections

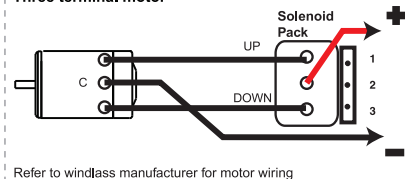
REFER TO SECTION 2.4.1

Notes:
Unused outputs are automatically assigned as auxiliary outputs
See owners manual section for more details
All outputs are active high (+)

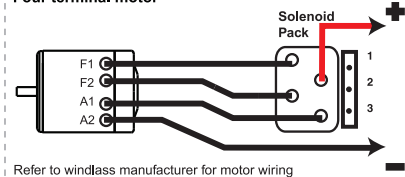
Two terminal motor



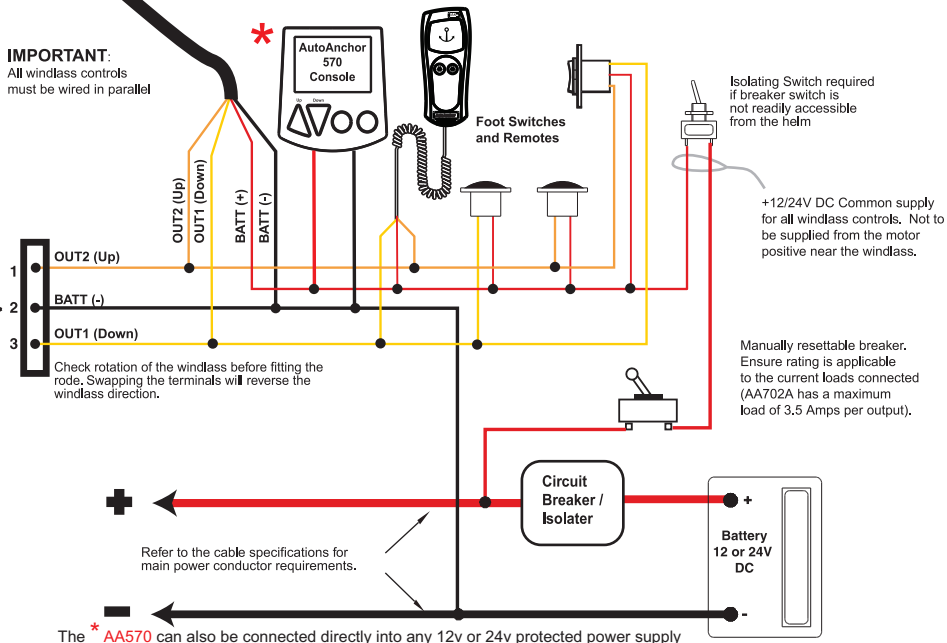
Three terminal motor



Four terminal motor



IMPORTANT:
All windlass controls must be wired in parallel



WARNING: Power must be disconnected during installation and when making any changes to wiring after installation

The *** AA570** can also be connected directly into any 12v or 24v protected power supply
INSTALLATIONS MUST BE CARRIED OUT IN ACCORDANCE WITH USCG, ABYC, NMMA and BMEA REQUIREMENTS