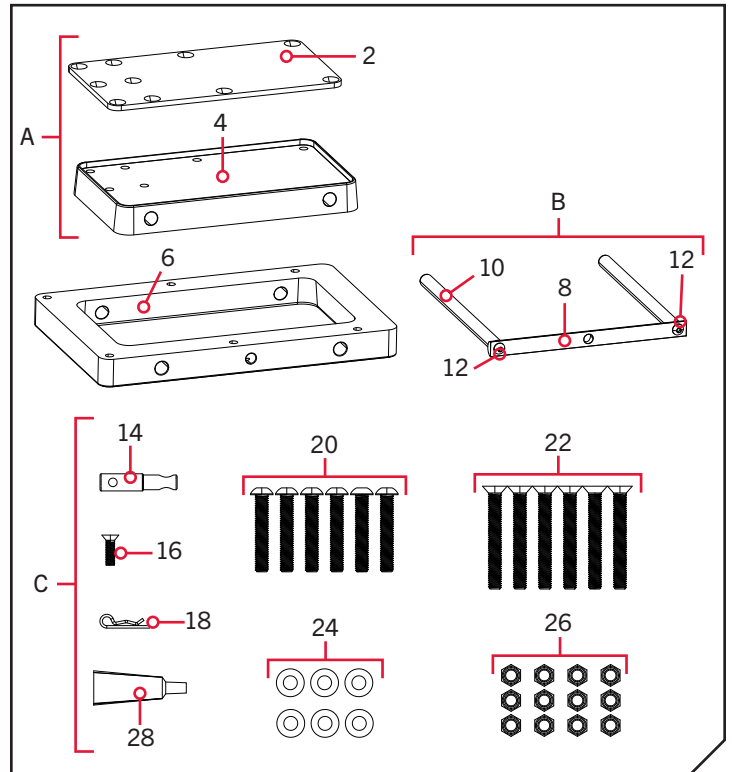


The MKA-56 and RTA-55 are compatible with freshwater and saltwater electric-steer, bow-mount, QUEST series trolling motors, including the Riptide Instinct, Ulterra, Riptide Terrova and Terrova.

Item / Assembly	Part #	Description	Qty.
A Items 2-4	2771686	INNER PUCK BL COMP QRB BLK *BLACK*	1
	2771687	INNER PUCK BL COMP QRB WHT *WHITE*	1
2	2371686	PLATE, PUCK BACKUP, BLK ANDZD *BLACK*	1
	2371687	PLATE, PUCK BACKUP, WHITE *WHITE*	1
4	2371695	PLATE-INNER, COMP FW BLK *BLACK*	1
	2371696	PLATE-INNER, COMP SW WHT *WHITE*	1
6	2371697	PLATE-OUTER, COMP FW BLK *BLACK*	1
	2371698	PLATE-OUTER, COMP SW WHT *WHITE*	1
B Items 8-12	2770916	HANDLE ASM BL COMP QRB	1
8	2370916	HANDLE, HALF ROUND, ANODIZE	1
10	2372641	PIN-SHEAR, HANDLE	2
12	2383417	SCREW-5/16-18X3/4" BHCS	2
C Items 14-28	2994946	BAG ASM, ELEC. STEER COMP QRB	1
14	2372634	PIN-PADLOCK, ALUM QRB	1
16	2383404	SCREW-1/4-20X7/8 PFH SS NYS	1
18	2260800	CLIP-HAIR SPRING, SS, MAX BG	1
20	2383485	SCREW-3/8-16 X 2 1/4 BHCS	6
22	2383490	SCREW-3/8-16 X 3" PFHCS SS	6
24	2351734	WASHER-3/8" FLAT SS	6
26	2383122	NUT 3/8-16 NYLON INST LOCKNUT	12
28	2378608	ANTI SEIZE TUBE, 4CC, TALON	1
▲	2374949	INSTRC. ELEC. STEER COMP QRB	1



▲ Not shown on Parts Diagram.

NOTICE: Images are a graphical representation and may vary from your motor. **Save the box!** A template for installation is printed on the inside of the box.

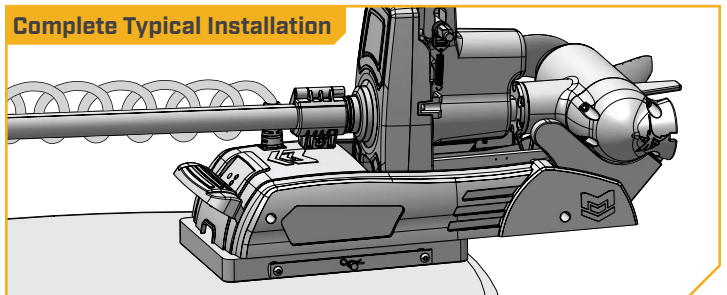
TOOLS AND RESOURCES REQUIRED >

- #3 Phillips Screwdriver
- #4 Phillips Screwdriver
- Drill
- 13/32" Drill Bit
- 9/16" Box End or Open End Wrench
- Needle-nose Pliers
- Scissors
- Awl or similar marking tool
- A second person to help with the installation

⚠ WARNING

You are responsible for the safe and prudent operation of this product. Minn Kota has designed this accessory to be a reliable and convenient tool. Use only as directed and only for the designed intent of the product. Installation should occur in an area free from hazards and obstacles. This product does not relieve you from the responsibility for safe operation.

Complete Typical Installation



MOUNTING CONSIDERATIONS

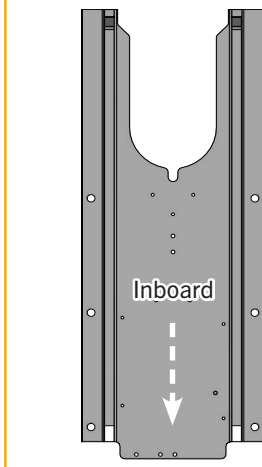
The MKA-56/RTA-55 composite brackets allow for bow-mount trolling motors to be quickly mounted or removed from the boat deck. The high-yield composite construction is super-strong and impervious to corrosion. When checking motor clearance for a mounting location, please give consideration to the following:

1. The MKA-56 and RTA-55 are compatible with freshwater and saltwater electric-steer, bow-mount, QUEST series trolling motors, including the Riptide Instinct QUEST, Ulterra QUEST, Riptide Terrova QUEST and Terrova QUEST. The base extrusion of the trolling motors may vary. Please note the appearance of the base extrusion for each trolling motor.
2. It is recommended that the motor be mounted as close to the centerline or keel of the boat as possible. Installation of the Inner Plate requires the use of all six mounting bolts. Mounting bolts spaced furthest apart will create the most stability. Ensure that the mounting location is flat and that the area under the mounting location is clear to drill holes and install hardware. If there is not enough space on the boat to install all six mounting bolts, this installation will require a Boat Deck Reinforcement Kit (1854058).
3. The motor must not encounter any obstructions as it is lowered into the water or raised into the boat when stowed and deployed. In the stowed position, place the motor so that the slot in the Base Extrusion is positioned beyond the boat Gunwale. For proper clearance, the entire slot must be visible beyond the Gunwale. When the motor is deployed, there must be a minimum required distance of 1½" between the Gunwale and the bottom of the Steering Housing and Shaft.

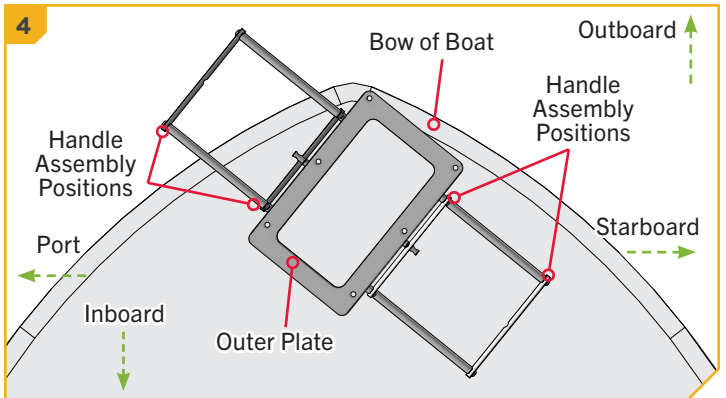
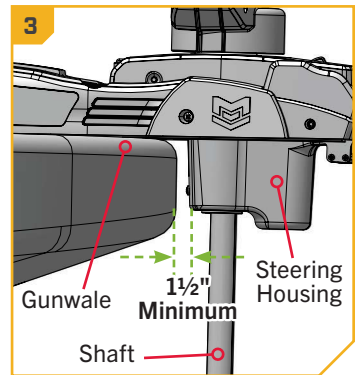
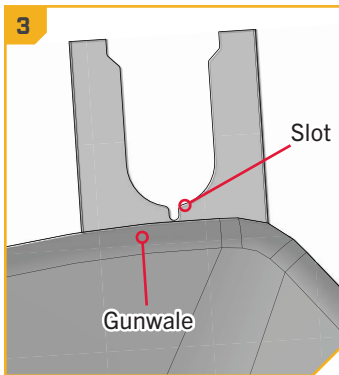
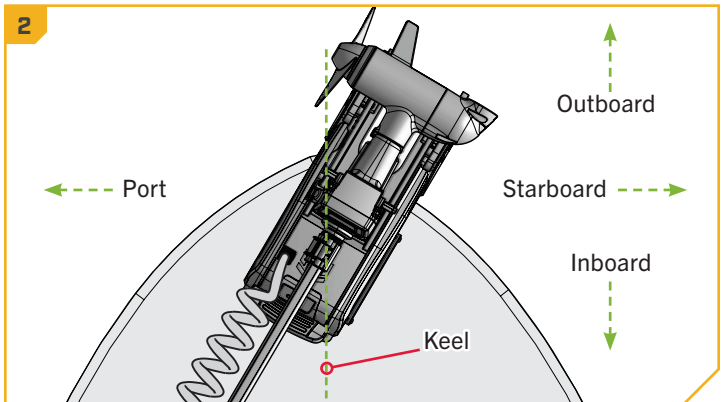
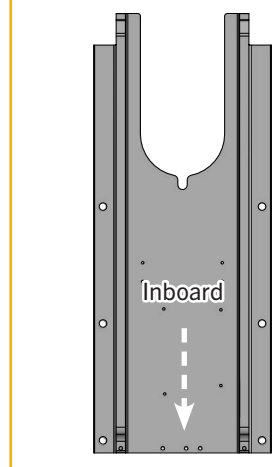
NOTICE: Ensure that the motor will not encounter any obstructions when positioning the motor on and off the composite bracket. The exact placement of the motor and bracket may vary depending on the boat, boat deck, and base extrusion to which the bracket is being mounted.

4. The bracket is designed so that the Handle Assembly can be installed on either the Port or Starboard side to accommodate clearances and personal preferences. Be sure that the Handle Assembly will not encounter any obstructions on the bow of the boat and can be pulled entirely out to release the plates when mounted.
5. This installation requires the use of hardware included with the trolling motor. The six Backup Bars (Part #2371796) from the motor hardware bag assembly (Part #2994948) will be needed.
6. With the motor in the stowed position, ensure there is enough room for the Shaft and Control Head and that they do not extend off the side of the boat.

Ulterra QUEST
Riptide Instinct QUEST



Terrova QUEST
Riptide Terrova QUEST



> Installing the Outer Plate to a Terrova or Riptide Terrova

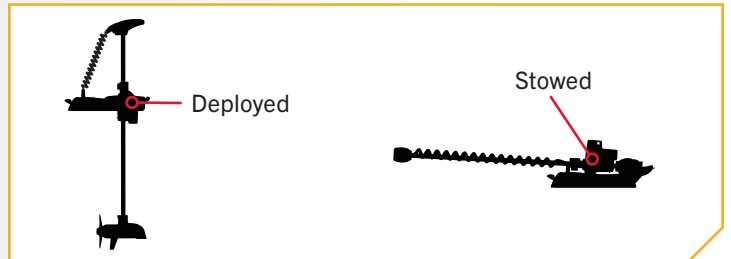
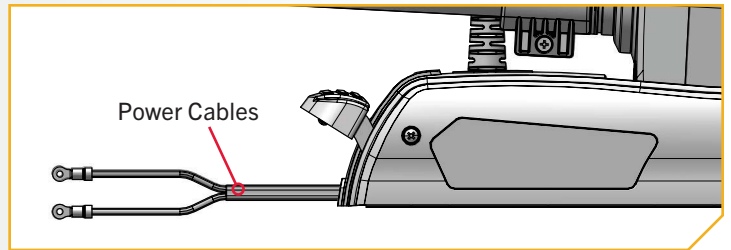
- 1** a. Make sure that the Power Cables from the battery are disconnected or that the breaker, if equipped, is “off.”

⚠ WARNING

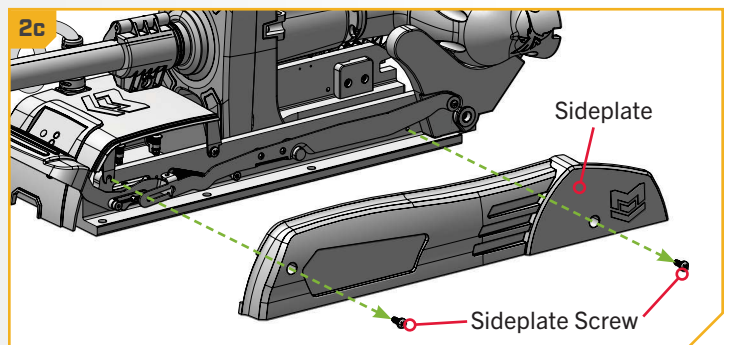
Make sure that the Power Cables from the battery are disconnected or that the breaker, if equipped, is “off.”

- b. Place the mount on an elevated, level surface such as a workbench or the tailgate of a pickup. The motor should be in the stowed position.

NOTICE: The trolling motor weighs up to 90lbs. Minn Kota recommends having a second person help with the installation.



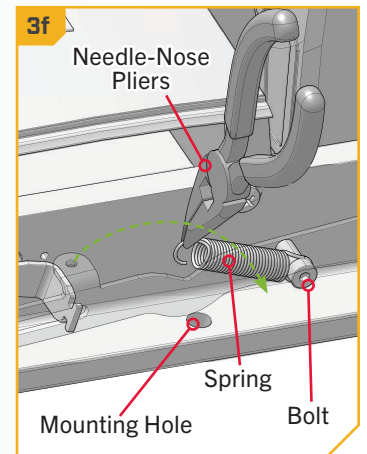
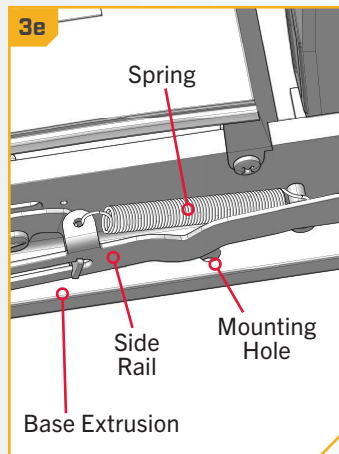
- 2** c. Remove the four Sideplate Screws using a #3 Phillips Screwdriver. Two of these screws will be located on each side of the mount.
- d. Remove the Right Sideplate and the Left Sideplate to expose the six mounting holes on the Base Extrusion.



- 3** e. The center mounting hole on either side of the Base Extrusion is blocked by a Spring. One end of each Spring must be disconnected in order to access the mounting holes.
- f. To disconnect the Spring, take a Needle-nose Pliers and carefully grab the hooked end on the top half of the Spring. Unhook it from the hole in the Side Rail by pulling up. Guide it towards the bottom half of the Spring still attached to the Base Extrusion and gently set it down. Do not disconnect the end of the Spring that is wrapped around a bolt. Unhook both Springs.

⚠ CAUTION

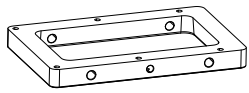
When maneuvering each Spring, carefully handle the Spring to avoid bending it. Do not grab the body of the Spring to avoid pinching between the spring coils. Always grab by the hooked end.



⚠ CAUTION

When handling each Spring, always keep the spring tension under control. Abruptly releasing the Spring while there is still tension could damage it and cause it to release unpredictably.

ITEM(S) NEEDED



#6 x 1



#20 x 6



#24 x 6



#26 x 6



#28 x 1

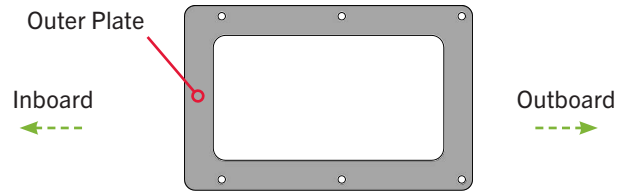
- g. Place the Outer Plate (Item #6) against the bottom of the Base Extrusion. The recessed holes in the Outer Plate should face down toward the Boat Deck. Position the Outer Plate so that the end with Mounting Holes farthest from the edge points inboard when mounted to the motor. Align the Mounting Holes in the Outer Plate with the Mounting Holes in the Base Extrusion that were exposed when the sideplates and Springs were removed.

NOTICE: To prevent seizing of the stainless steel hardware, do not use high-speed installation tools. Wetting the screws or applying an anti-seize (Item #28) may help prevent seizing.

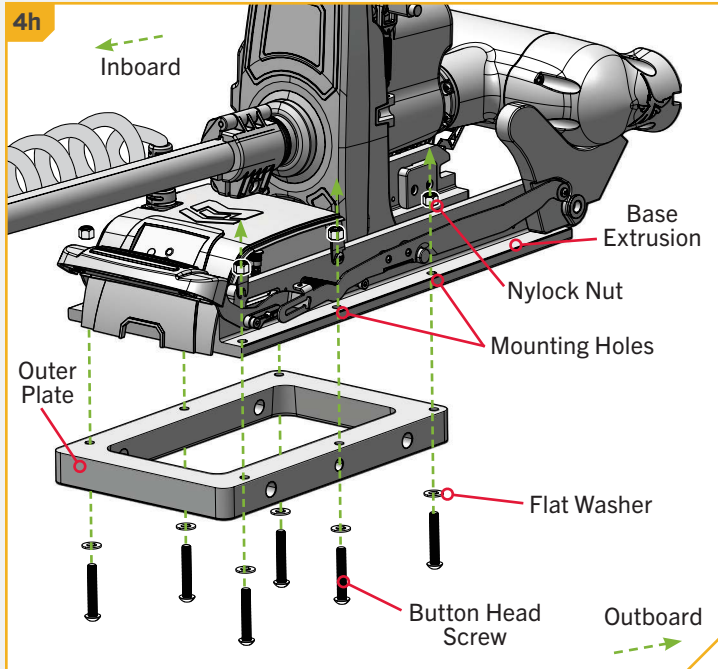
- h. Use six each of the Button Head Screws (Item #20), Flat Washers (Item #24), and Nylock Nuts (Item #26) to secure the Outer Plate to the Base Extrusion. Put anti-seize (Item #28) on all hardware. Place a Flat Washer on each Button Head Screw, then install the Screws up through the Outer Plate and into the Base Extrusion. Place a Nylock Nut on the end of each Screw. While holding each Nylock Nut with a 9/16" Box End or Open End Wrench, use a #4 Phillips Screwdriver to tighten each Screw. Tighten to 120 in-lbs. Make sure all hardware is secure.

NOTICE: Use extra care to avoid pinching and damaging the sensor wires that run alongside the Base Extrusion when installing and tightening the mounting hardware.

4g

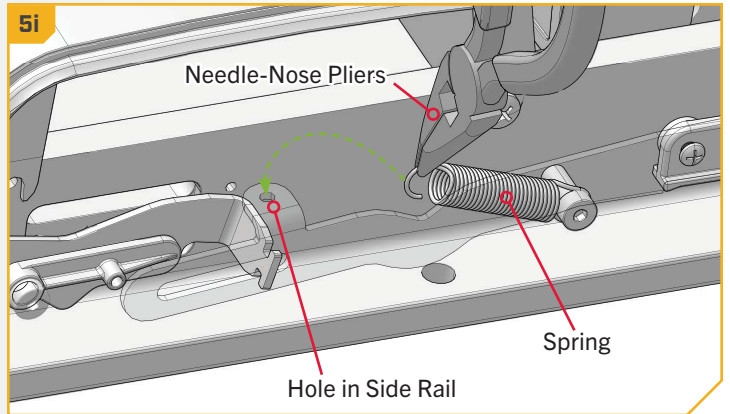


4h



5

- i. With the Outer Plate secured to the Base Extrusion, reassemble the Springs that were disconnected. Use a Needle-nose Pliers to grab the hooked end of the loose Spring. Reconnect it by pulling it upwards and hooking it in the hole on the Side Rail. The curved end of the Spring should be reattached from the top down. Make sure the Spring is not twisted when reattaching it. Reattach the Spring on both the right and left side of the Base Extrusion.

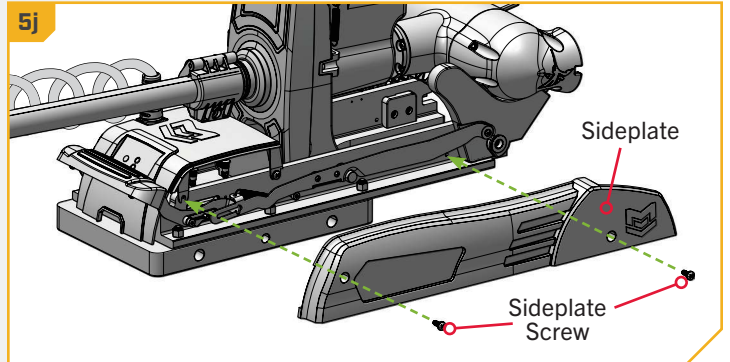


CAUTION

When maneuvering each Spring, carefully handle the Spring to avoid bending it. Do not grab the body of the Spring to avoid pinching between the spring coils. Always grab by the hooked end.

CAUTION

When handling each Spring, always keep the spring tension under control. Abruptly releasing the Spring while there is still tension could damage it and cause it to release unpredictably.



- j. With both Springs re-attached, replace the Right Sideplate and Left Sideplate.
- k. Replace the four Sideplate Screws using a #3 Phillips Screwdriver. Two of these screws will be located on each side of the mount. Hand tighten.

▶ Installing the Outer Plate to an Ulterra or Riptide Instinct

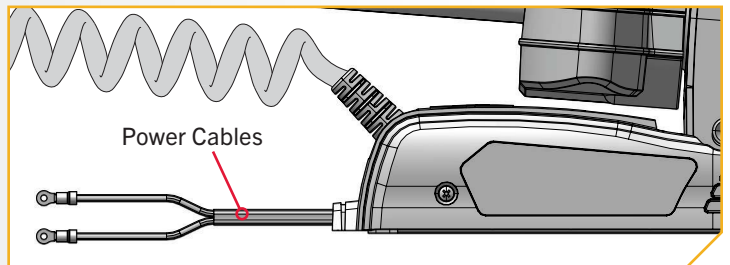
1

- a. Make sure that the Power Cables from the battery are disconnected or that the breaker, if equipped, is "off."

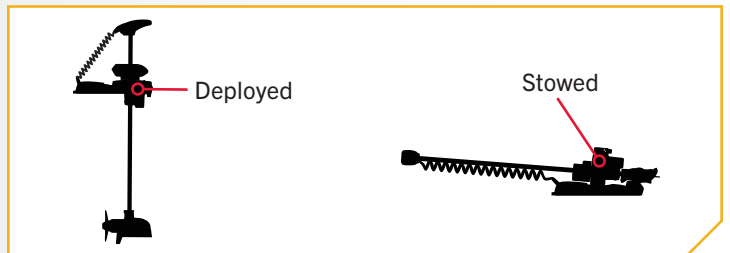
WARNING

Make sure that the Power Cables from the battery are disconnected or that the breaker, if equipped, is "off."

- b. Place the mount on an elevated, level surface such as a workbench or the tailgate of a pickup. The motor should be in the stowed position.

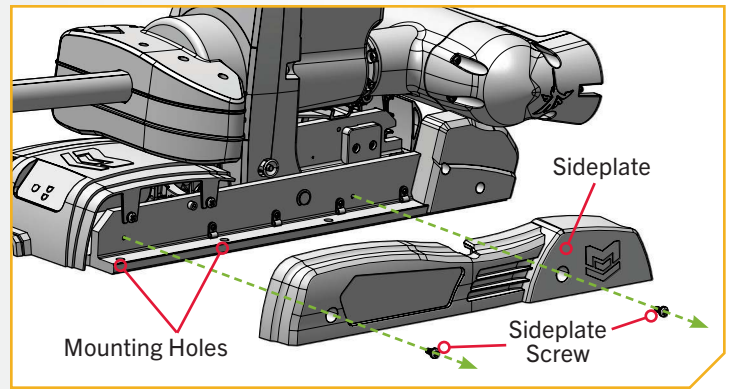
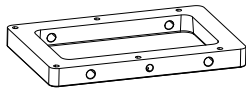


NOTICE: The trolling motor weighs up to 90lbs. Minn Kota recommends having a second person help with the installation.

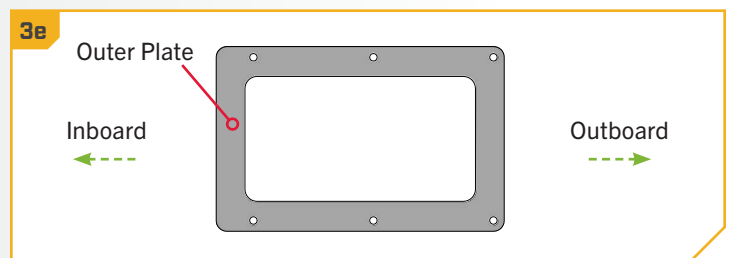


2

- c. Remove the four Sideplate Screws using a #3 Phillips Screwdriver. Two of these screws will be located on each side of the mount.
- d. Remove the Right Sideplate and the Left Sideplate to expose the six mounting holes in the Base Extrusion.

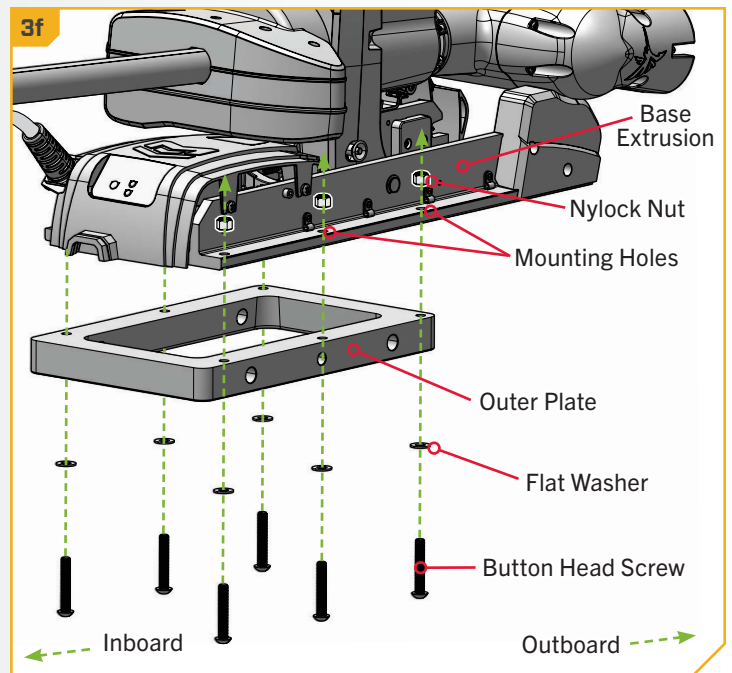
**3****ITEM(S) NEEDED****#6 x 1****#20 x 6****#24 x 6****#26 x 6****#28 x 1**

- e. Place the Outer Plate (Item #6) against the bottom of the Base Extrusion. The recessed holes in the Outer Plate should face down toward the Boat Deck. Position the Outer Plate so that the end with Mounting Holes farthest from the edge points inboard when mounted to the motor. Align the Mounting Holes in the Outer Plate with the Mounting Holes in the Base Extrusion.



NOTICE: To prevent seizing of the stainless steel hardware, do not use high-speed installation tools. Wetting the screws or applying an anti-seize (Item #28) may help prevent seizing.

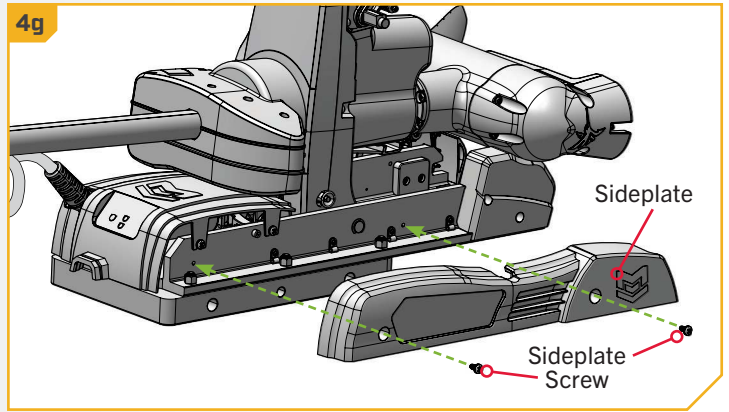
- f. Use six each of the Button Head Screws (Item #20), Flat Washers (Item #24), and Nylock Nuts (Item #26) to secure the Outer Plate to the Base Extrusion. Put anti-seize (Item #28) on all hardware. Place a Flat Washer on each Button Head Screw, then install the Screws up through the Outer Plate and into the Base Extrusion. Place a Nylock Nut on the end of each Screw. While holding each Nylock Nut with a 9/16" Box End or Open End Wrench, use a #4 Phillips Screwdriver to tighten each Screw. Tighten to 120 in-lbs. Make sure all hardware is secure.



NOTICE: Use extra care to avoid pinching and damaging the sensor wires that run alongside the Base Extrusion when installing and tightening the mounting hardware.

4

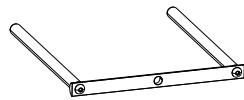
- g. With the Outer Plate secured, replace the Right Sideplate and Left Sideplate.
- h. Replace the four Sideplate Screws using a #3 Phillips Screwdriver. Two of these screws will be located on each side of the mount.



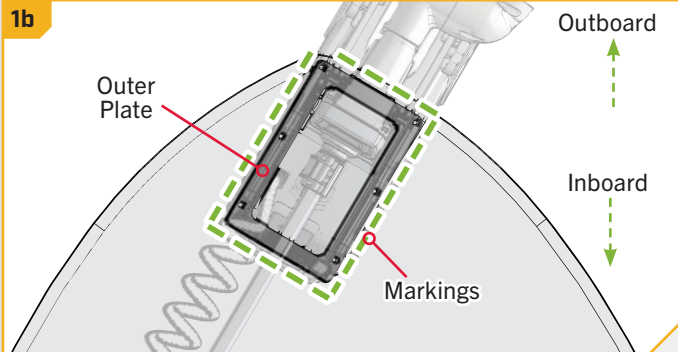
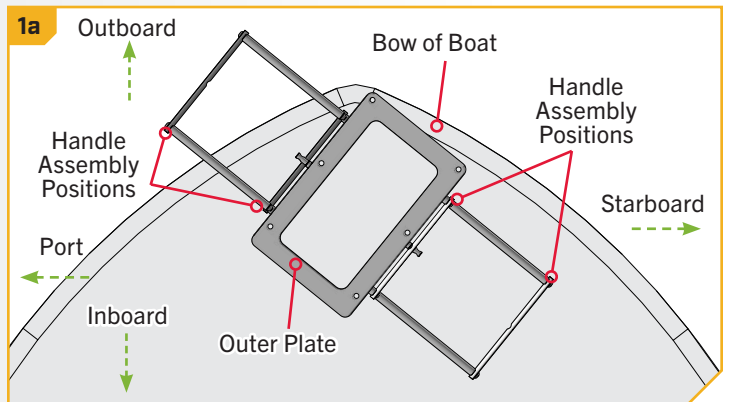
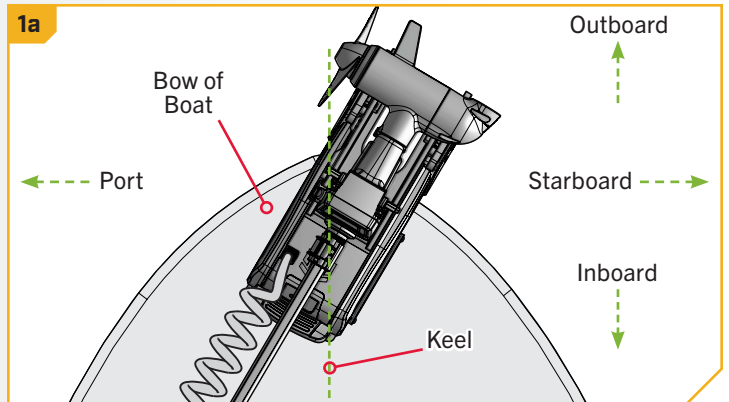
▶ Installing the Handle Assembly

1

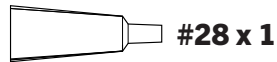
ITEM(S) NEEDED

**#B x 1****#14 x 1**

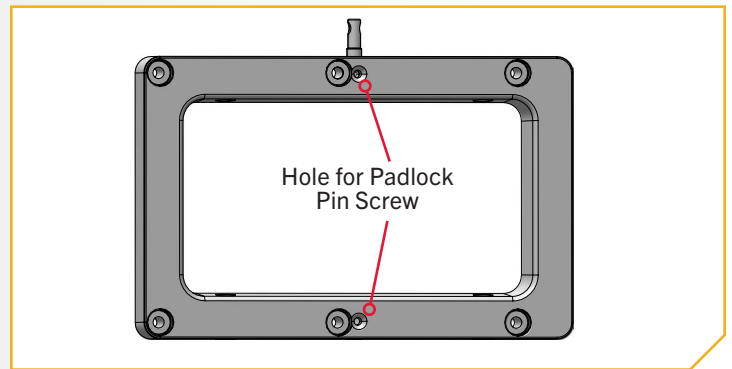
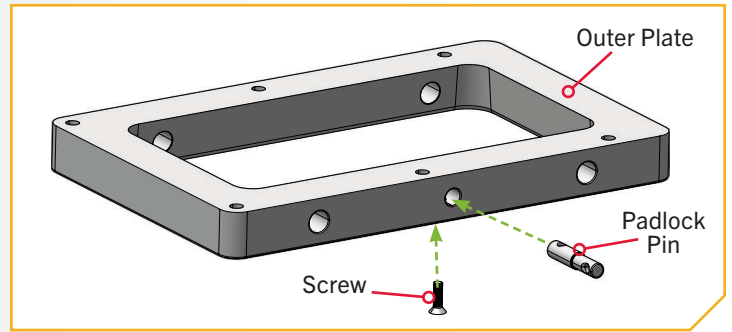
- a. Place the motor with the Outer Plate attached as close to the centerline or keel of the boat as possible. Review the mounting considerations at the beginning of this document. Determine if the motor will be mounted on the Port or Starboard side of the bow and if the Handle Assembly (Item #B) will release inboard or outboard. The side of the bracket that the Handle Assembly is used on will determine which side the Padlock Pin (Item #14) will be installed on.
- b. With a mounting location determined and all clearances confirmed, mark the side and rear edges of the Outer Plate on the bow of the boat with an Awl or similar marking tool. These markings will be used to position a template for mounting the Inner Plate.



ITEM(S) NEEDED



- c. Once a position for the Handle Assembly is selected, the Padlock Pin (Item #14) can be installed. Place the Padlock Pin into the Outer Plate on the desired side so that the larger diameter of the Pin installs into the Outer Plate.
- d. Take note of the two small screw holes on the bottom of the Outer Plate. These holes do not pass all the way through the Plate and are for the Screw that will retain the Padlock Pin. Rotate the Padlock Pin so that the hole in the Pin lines up with this screw hole.
- e. Take the 1/4-20 X 7/8 Screw (Item #16) used to secure the Padlock Pin and apply anti-seize (Item #28) to the Screw. Insert the Screw into the Outer Plate and Padlock Pin. Secure with a #3 Phillips Screwdriver.


CAUTION

Ensure that the Screw is installed on the same side as the Padlock Pin. Failure to retain the Padlock Pin with the Screw will prevent the bracket and motor from securing. An improperly secured motor may fall and cause injury.

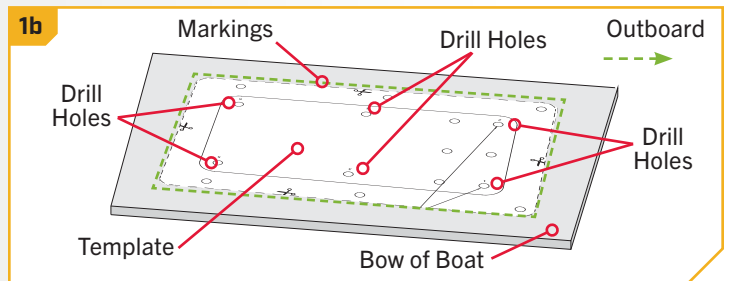
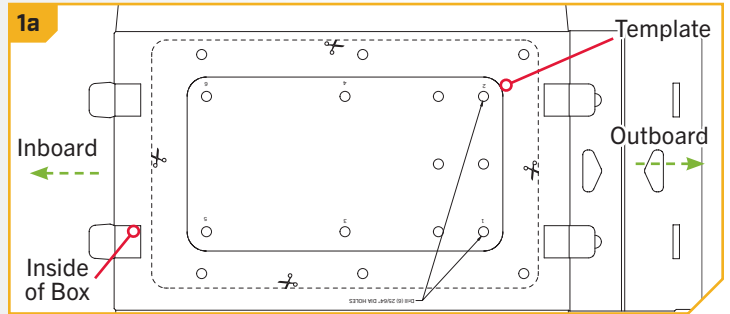
› Installing the Inner Plate

The following instructions apply only to installations where the MKA-56/RTA-55 Inner Plate is mounted directly to the boat deck. If installing the Inner Plate with a Boat Deck Reinforcement Kit (1854058), follow the installation instructions provided with the Boat Deck Reinforcement Kit. Review the mounting considerations to determine if a Boat Deck Reinforcement Kit is required.

Installing the Inner Plate to the boat deck will require the use of hardware included with the trolling motor. This installation will use six Backup Bars (Part #2371796) from the mounting hardware bag assembly (Part #2994948).

1

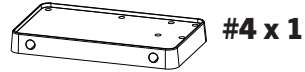
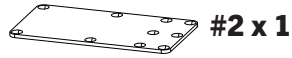
- a. Take the box that the Quick Release Bracket came in and carefully pull the glued edges apart. Open the box so that it lays flat. A mounting template is printed on the inside of the box to help locate, mark, and drill mounting holes for the Inner Plate. Cut the template out with Scissors and place it on the bow.
- b. Align the template with the markings made on the bow while checking handle and motor clearances. Make sure that the direction of template matches the direction of the Outer Plate as it is attached to the motor. The end with six holes close together should face outboard.



⚠ CAUTION

An incorrectly secured trolling motor may cause injury. Installation of the Inner Plate requires the use of all six mounting bolts. Avoid injury from an incorrectly secured trolling motor by following the installation instructions.

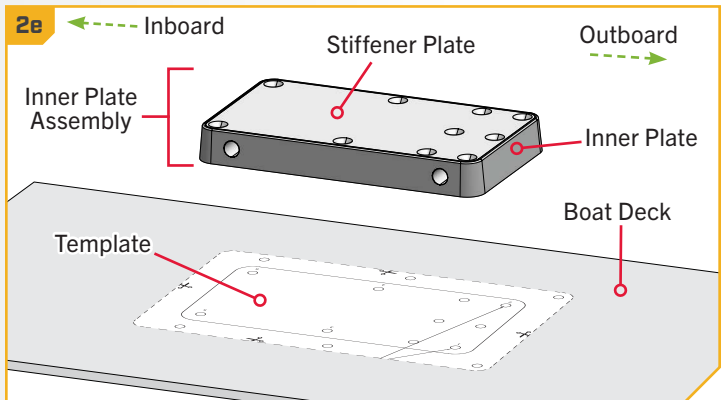
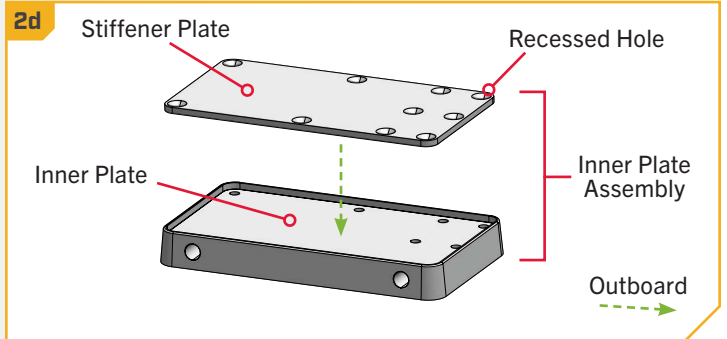
ITEM(S) NEEDED



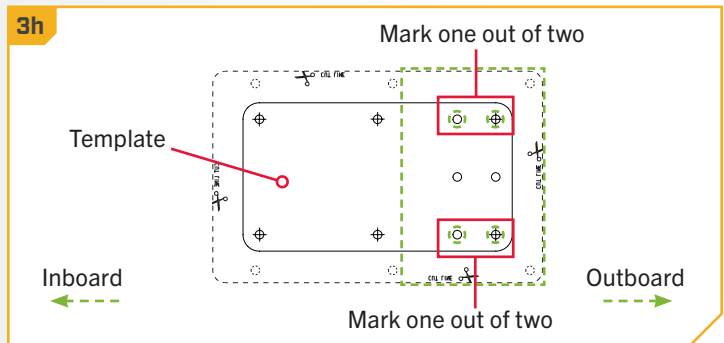
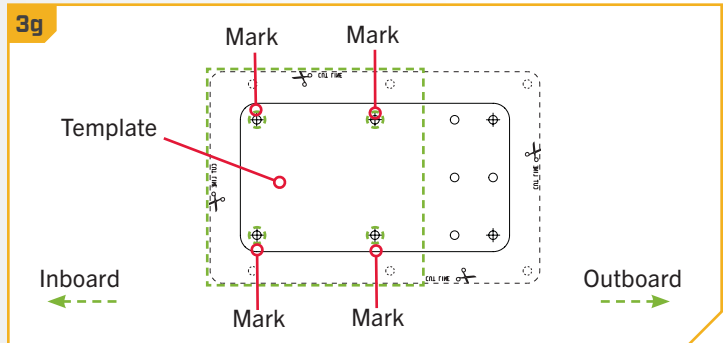
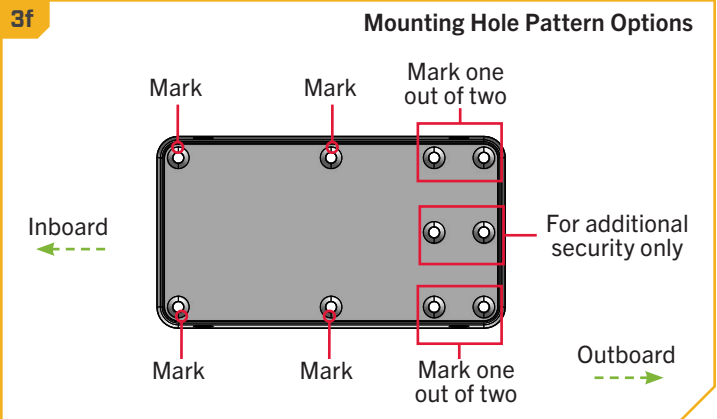
- c. The Stiffener Plate (Item #2) is flush with the Inner Plate (Item #4), and may not be immediately noticeable when removing the Quick Release Bracket from the box. The top surface of the Inner Plate is recessed to accommodate the placement of the Stiffener Plate. This surface should face up.
- d. Take the Stiffener Plate and place it into the recessed surface of the Inner Plate. The Stiffener Plate should be set on the Inner Plate so the recessed holes for the Flat Head Screws are facing up.
- e. Take note of the position of the template in relation to the Inner Plate Assembly to ensure proper mounting.

CAUTION

Failure to follow proper product installation may lead to injury from product failure. To avoid injury from a damaged product, ensure that the Stiffener Plate is present on the Inner Plate before installing mounting hardware. Do not install the Inner Plate without the Stiffener Plate.



- f. When mounting the Inner Plate Assembly, all six mounting bolts must be used, with three bolts on each side of the Plate. The template indicates various mounting hole options to provide flexibility and account for variances in bow shapes. If the desired mounting location and mounting hole pattern does not allow for all six mounting bolts, a Boat Deck Reinforcement Kit (1854058) should be used or a new mounting location selected.
- g. Mark the boat deck with all four mounting holes on the template that are the furthest **inboard**.
- h. Look at the end of the template that is the furthest **outboard**. There are six remaining mounting holes on the template. The two holes in the center of this pattern are for additional security only and should not be used for primary installation of the Inner Plate. Select a pattern from the remaining four mounting holes. Mark one of these two holes on each side of the Inner Plate. The chosen holes do not need to be symmetrical, as long as one mounting bolt is used on each side of the Inner Plate.
- i. Use the template to mark the locations of the six drill holes. Use a Drill with a 13/32" Drill Bit to drill through the Boat Deck on the marked locations.



ITEM(S) NEEDED



#22 x 6



#26 x 6



#28 x 1

NOTICE: Images are a graphical representation only and may vary from your mounting position.

- j. Take the Inner Plate Assembly and place it on the boat deck. Align the mounting holes in the Inner Plate Assembly with the holes that were drilled in the boat deck using the template.

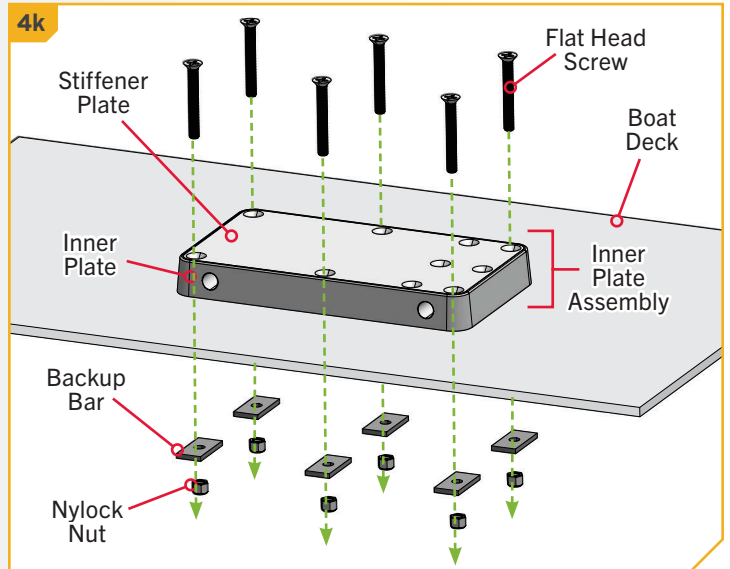
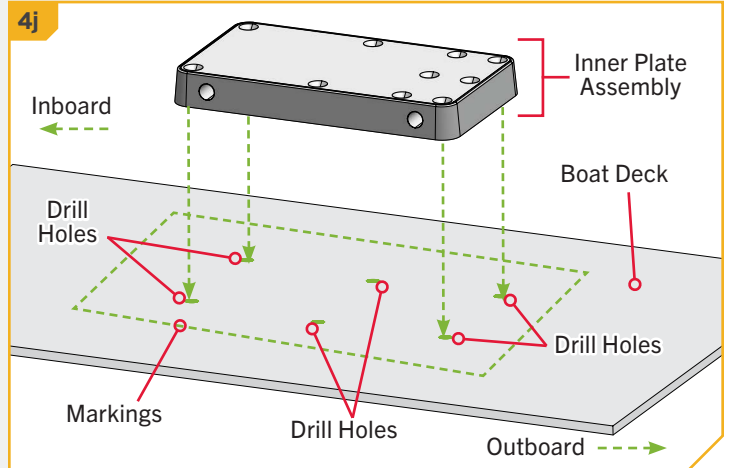
CAUTION

Failure to follow proper product installation may lead to injury from product failure. To avoid injury from a damaged product, ensure that the Stiffener Plate is present on the Inner Plate before installing mounting hardware. Do not install the Inner Plate without the Stiffener Plate.

NOTICE: To prevent seizing of the stainless steel hardware, do not use high-speed installation tools. Wetting the screws or applying an anti-seize (Item #28) may help prevent seizing.

NOTICE: This installation requires the use of hardware included with the trolling motor. The six Backup Bars (Part #2371796) from the motor hardware bag assembly (Part #2994948) are required.

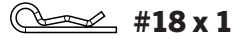
- k. Insert a 3/8-16 x 3" Flat Head Screw (Item #22) into each of the six drilled locations. Apply anti-seize (Item #28) to all hardware. The Flat Head Screws should pass through the Stiffener Plate and Inner Plate that make up the Inner Plate Assembly, and then pass through the boat deck.
- l. Place a Backup Bar (Part #2371796) and then a Nylock Nut (Item #26) at the end of each Screw. While holding each Nylock Nut with a 9/16" Box End or Open End Wrench, use a #4 Phillips Screwdriver to tighten each Screw. Make sure all hardware is secure.



› Completing the Installation

1

ITEM(S) NEEDED

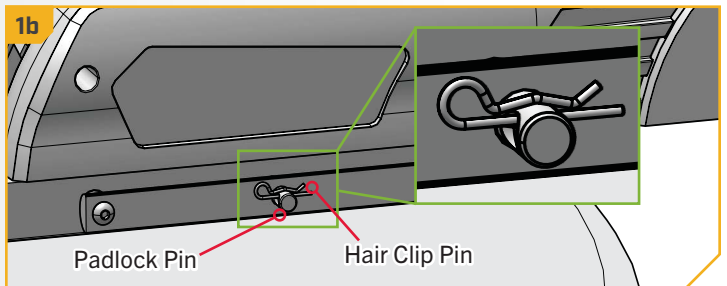
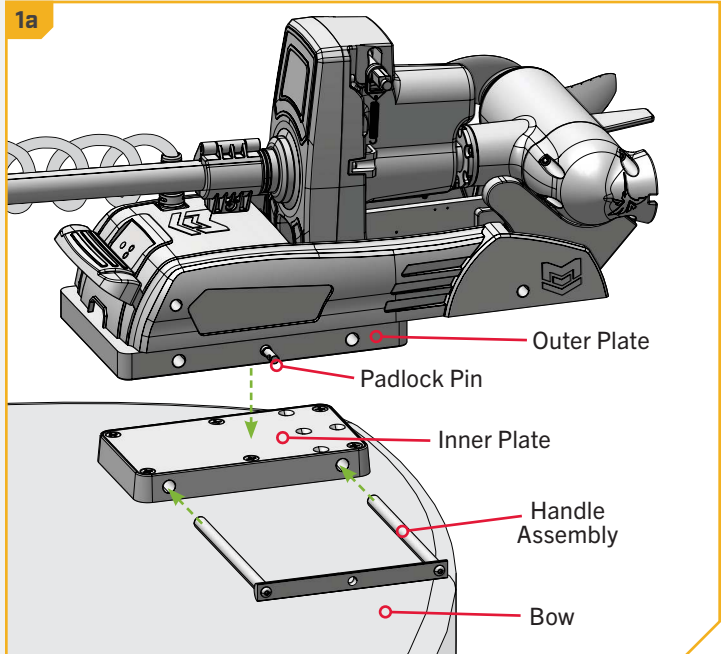
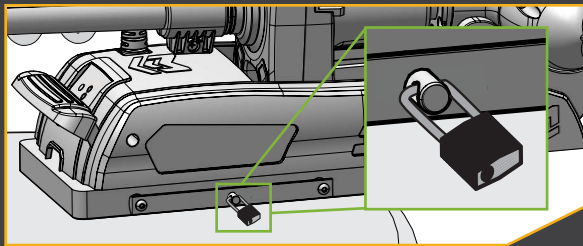


- Place the Outer Plate attached to the motor onto the Inner Plate that was mounted to the bow of the boat. To secure the Plates together, insert the Handle Assembly on the same side as the Padlock Pin.
- Insert the Hair Clip Pin (Item #18) into the Padlock Pin to complete the assembly. The straight prong of the Hair Clip should pass through the center of the Padlock Pin, with the curved prong wrapped around the outside of the Padlock Pin. The Padlock Pin should sit in the middle arch of the Hair Clip Pin.

⚠ CAUTION

Before using or transporting the trolling motor, always make sure that the Handle Assembly is fully inserted and retained by the Hair Clip Pin. Failure to insert and secure the Handle Assembly may result in injury from a falling motor.

NOTICE: A padlock can be used in place of the Hair Clip Pin to prevent motor theft. The diameter of the hole in the Padlock Pin is 1/4".



For warranty information, please visit minnkota.johnsonoutdoors.com.



minnkota.johnsonoutdoors.com



Part #2374949

Minn Kota Consumer & Technical Service
Johnson Outdoors Marine Electronics, Inc.
PO Box 8129
Mankato, MN 56001

121 Power Drive
Mankato, MN 56001
Phone (800) 227-6433
Fax (800) 527-4464



©2023 Johnson Outdoors Marine Electronics, Inc.
All rights reserved.

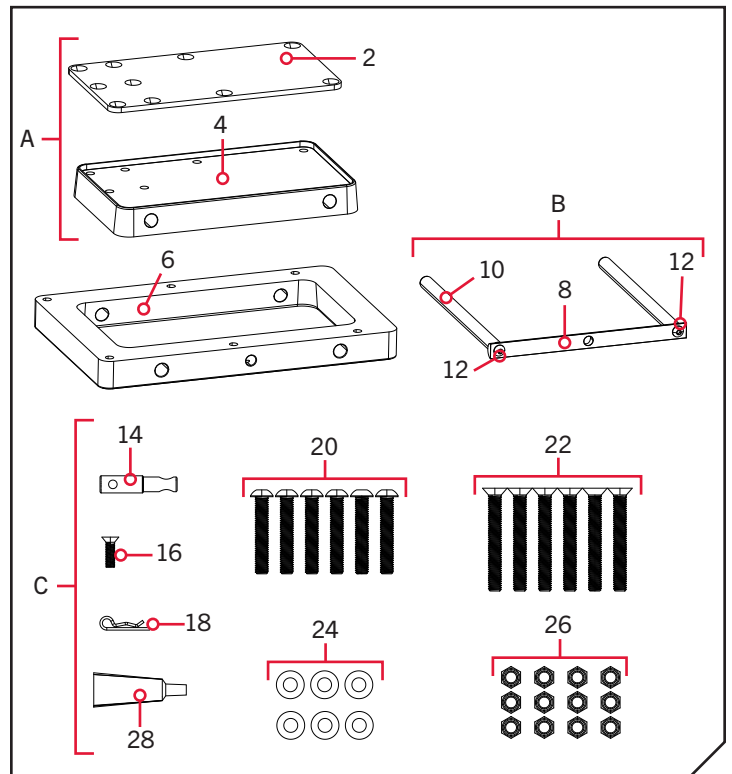
ECN 43074

Rev B

05/23

Les MKA-56 et RTA-55 sont compatibles avec les moteurs de pêche à la traîne de la série QUEST à direction électrique et à montage sur proue d'eau douce et d'eau salée, notamment les Riptide Instinct, Ulterra, Riptide Terrova et Terrova.

Article/ Ensemble	N° de pièce	Description	Qté
A Articles 2 à 4	2771686	INNER PUCK BL COMP QRB BLK *NOIR*	1
	2771687	INNER PUCK BL COMP QRB WHT *BLANC*	1
2	2371686	PLATE, PUCK BACKUP, BLK ANDZD *NOIR*	1
	2371687	PLATE, PUCK BACKUP, WHITE *BLANC*	1
4	2371695	PLATE-INNER, COMP FW BLK *NOIR*	1
	2371696	PLATE-INNER, COMP SW WHT *BLANC*	1
6	2371697	PLATE-OUTER, COMP FW BLK *NOIR*	1
	2371698	PLATE-OUTER, COMP SW WHT *BLANC*	1
B Articles 8 à 12	2770916	HANDLE ASM BL COMP QRB	1
8	2370916	HANDLE, HALF ROUND, ANODIZE	1
10	2372641	PIN-SHEAR, HANDLE	2
12	2383417	SCREW-5/16-18X3/4" BHCS	2
C Articles 14 à 28	2994946	BAG ASM, ELEC. STEER COMP QRB	1
14	2372634	PIN-PADLOCK, ALUM QRB	1
16	2383404	SCREW-1/4-20X7/8 PFH SS NYS	1
18	2260800	CLIP-HAIR SPRING, SS, MAX BG	1
20	2383485	SCREW-3/8-16 X 2 1/4 BHCS	6
22	2383490	SCREW-3/8-16 X 3" PFHCS SS	6
24	2351734	WASHER-3/8" FLAT SS	6
26	2383122	NUT 3/8-16 NYLON INST LOCKNUT	12
28	2378608	ANTI SEIZE TUBE, 4CC, TALON	1
▲	2374949	INSTRC. ELEC. STEER COMP QRB	1



▲ Non affiché sur le schéma des pièces.

AVIS : Les images sont une représentation graphique et peuvent être différentes de votre moteur. **Conservez cette boîte!** Un gabarit pour l'installation est imprimé sur l'intérieur de la boîte.

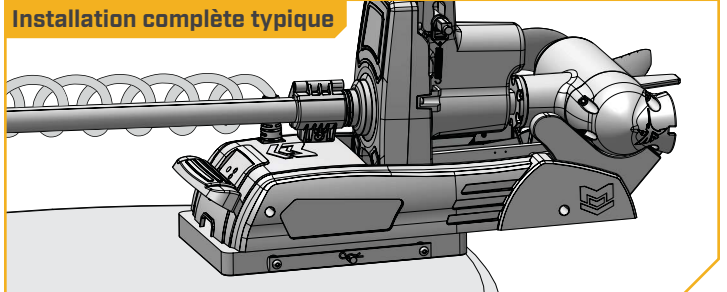
OUTILS ET RESSOURCES NÉCESSAIRES >

- Tournevis cruciforme n° 3
- Tournevis cruciforme n° 4
- Ciseaux
- Perceuse
- Mèche de 13/32 po (10,32 mm)
- Clé polygonale/ouverte de 9/16 po (14,28 mm)
- Pince à bec pointu (pour Terrova et RT Terrova)
- Poinçon ou autre outil de marquage semblable
- Une deuxième personne pour vous aider avec l'installation

AVERTISSEMENT

Vous êtes responsable de l'utilisation sûre et prudente de ce produit. Minn Kota a conçu cet accessoire pour être un outil fiable et pratique. Utiliser uniquement comme indiqué et uniquement pour l'intention prévue du produit. L'installation doit avoir lieu dans une zone exempte de dangers et d'obstacles. Ce produit ne vous exonère pas de la responsabilité de naviguer en toute sécurité.

Installation complète typique



FACTEURS DE MONTAGE

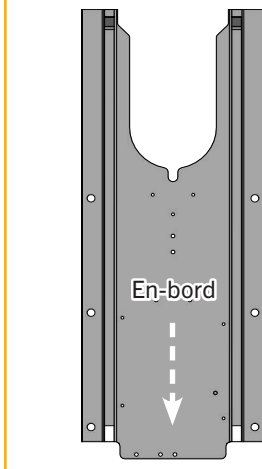
Le support composite MKA-56/RTA-55 permet de monter ou de démonter rapidement les moteurs de pêche à la traîne sur le pont du bateau. La construction en composite extrêmement performant est ultra robuste et insensible à la corrosion. Lors de la vérification du dégagement du moteur pour un emplacement de montage, veuillez tenir compte de ce qui suit :

1. Les MKA-56 et RTA-55 sont compatibles avec les moteurs de pêche à la traîne QUEST à direction électrique et à montage sur étrave d'eau douce et d'eau salée, notamment les Riptide Instinct QUEST, Ulterra QUEST, Riptide Terrova QUEST et Terrova QUEST. L'extrusion de la base des moteurs de pêche à la traîne peut varier. Veuillez noter l'apparence de l'extrusion de la base pour chaque moteur de pêche à la traîne.
2. Il est recommandé que le moteur soit monté aussi près que possible de l'axe ou de la quille du bateau. L'installation de la plaque interne nécessite l'utilisation des six boulons de montage. Monter les boulons aussi éloignés l'un de l'autre que possible créera la plus grande stabilité. Assurez-vous que l'emplacement de montage est à plat et que la zone sous l'emplacement de montage est dégagée pour percer les trous et installer la quincaillerie. S'il n'y a pas suffisamment d'espace sur le bateau pour installer les six boulons de montage, cette installation nécessitera une trousse de renforcement du pont du bateau (1854058).
3. Le moteur ne doit rencontrer aucune obstruction lorsqu'il est abaissé dans l'eau ou monté dans le bateau pour arrimage ou déploiement. En position arrimée, placez le moteur de sorte que la fente de l'extrusion de la base soit positionnée au-delà du plat-bord du bateau. Le dégagement est approprié lorsque la totalité de la fente est visible au-delà du plat-bord. Lorsque le moteur est déployé, il doit y avoir une distance minimale requise de 1½ po (3,81 cm) entre le plat-bord et le fond du boîtier de direction et de l'arbre.

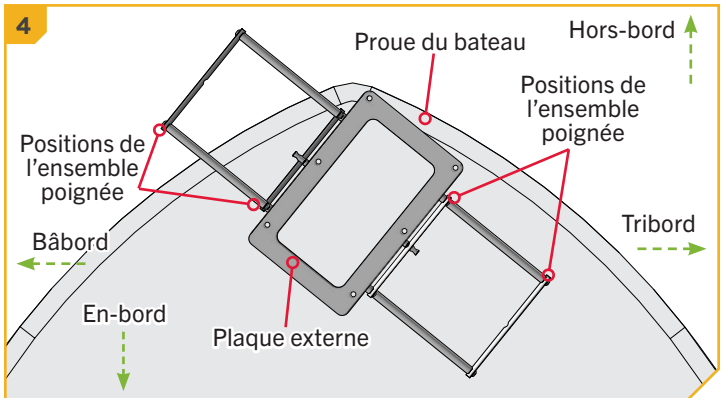
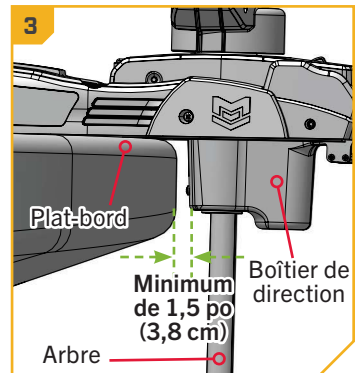
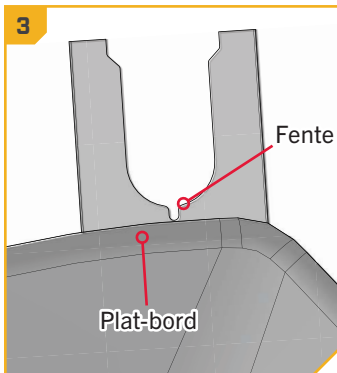
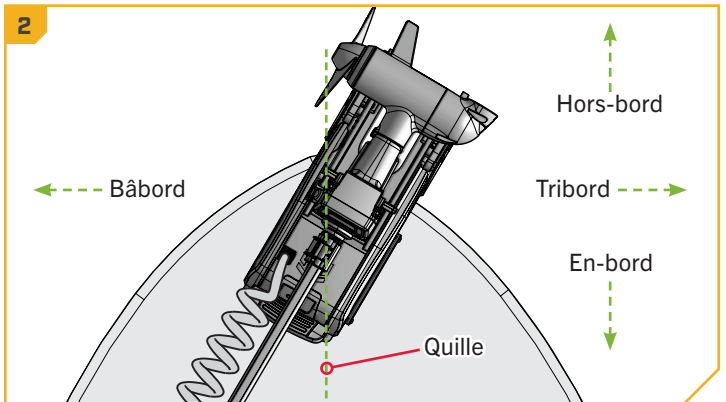
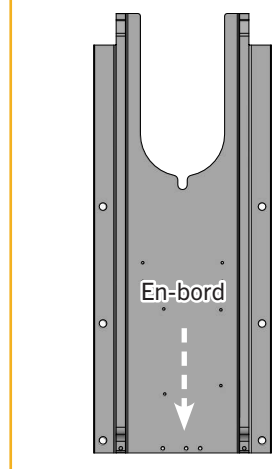
AVIS : Assurez-vous que le moteur ne rencontrera pas d'obstacles lorsque vous le placez sur le support en composite et que vous l'enlevez. L'emplacement précis du moteur et du support peut varier selon le bateau, le pont du bateau et l'extrusion de la base sur laquelle est monté le support.

4. Le support est conçu afin que l'ensemble de poignée puisse être placé à bâbord ou à tribord selon les dégagements et les préférences personnelles. Assurez-vous qu'il n'y a pas d'obstruction à l'ensemble poignée sur la proue du bateau et qu'il peut être entièrement sorti pour dégager les plaques lorsqu'elles sont montées.
5. Cette installation nécessite l'utilisation de la quincaillerie incluse avec votre moteur de pêche à la traîne. Les six barres d'appui (pièce n° 2371796) du lot sous emballage de quincaillerie du moteur (pièce n° 2994948) seront nécessaires.
6. Le moteur en position d'arrimage, assurez-vous qu'il y a suffisamment d'espace pour l'arbre et la tête de contrôle et qu'ils ne s'étendent pas au-delà du bateau.

Ulterra QUEST Riptide Instinct QUEST



Terrova QUEST Riptide Terrova QUEST



> Installation de la plaque externe sur un Terrova ou un Riptide Terrova

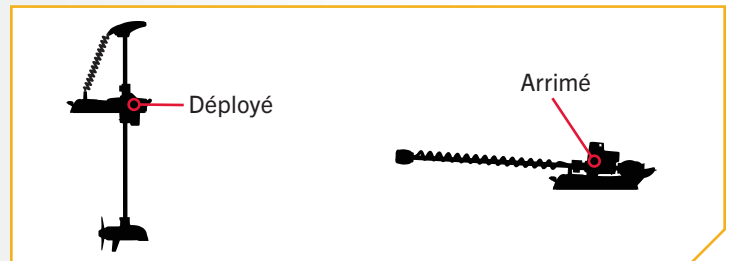
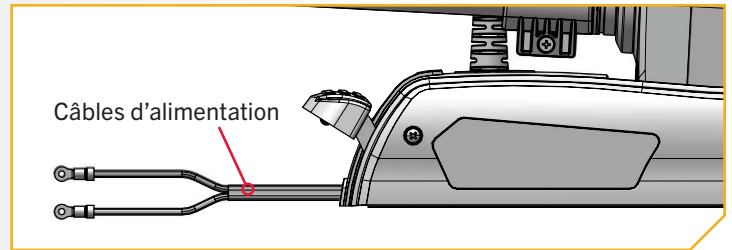
- 1** a. Assurez-vous que les câbles d'alimentation de la batterie sont déconnectés, ou que le disjoncteur, le cas échéant, est en position « arrêt ».

⚠️ AVERTISSEMENT

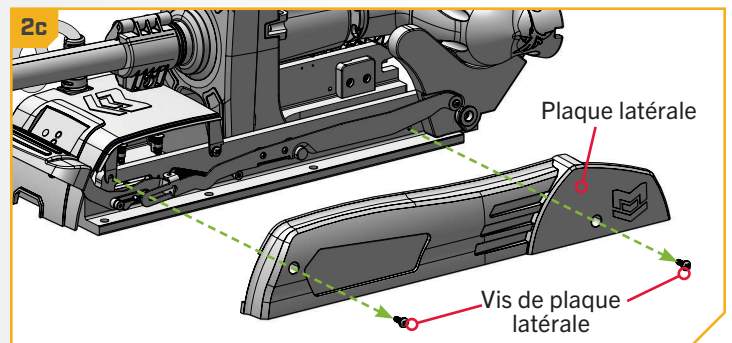
Assurez-vous que les câbles d'alimentation de la batterie sont déconnectés, ou que le disjoncteur, le cas échéant, est en position « arrêt ».

- b. Placez le support sur une surface élevée, de niveau, comme un établi ou le hayon d'une camionnette. Le moteur devrait être en position arrimé.

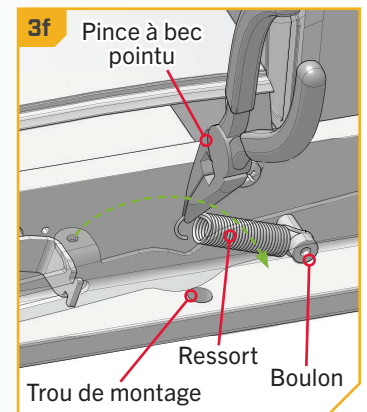
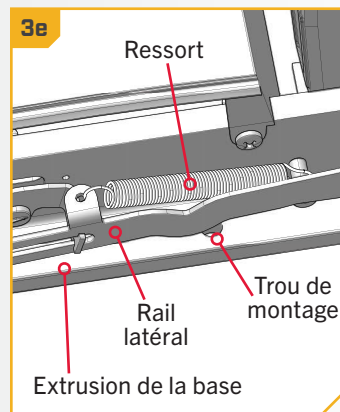
AVIS : Le moteur de pêche à la traîne pèse jusqu'à 90 lb (40,8 kg). Minn Kota recommande d'obtenir l'aide d'une deuxième personne pour l'installation.



- 2** c. Retirez les quatre vis de la plaque latérale en utilisant un tournevis cruciforme n° 3. Deux de ces vis seront situées de chaque côté du support.
- d. Retirez la plaque latérale droite et la plaque latérale gauche pour exposer les six trous de montage sur l'extrusion de la base.



- 3** e. Le trou de montage central de chaque côté de l'extrusion de la base est bloqué par un ressort. Une extrémité de chaque ressort doit être déconnectée pour accéder aux trous de montage.
- f. Pour déconnecter le ressort, prenez une pince à bec pointu et saisissez soigneusement l'extrémité à crochet sur la moitié supérieure du ressort. Décrochez-la du trou du rail latéral en la tirant vers le haut. Guidez-la vers la moitié inférieure du ressort toujours attaché à l'extrusion de la base et déposez-la doucement. Ne déconnectez pas l'extrémité du ressort qui est enroulée autour d'un boulon. Déconnectez les deux ressorts.



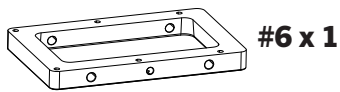
⚠️ ATTENTION

Lorsque vous manipulez chaque ressort, manipulez-le avec précaution pour éviter de le plier. Ne saisissez pas le corps du ressort pour éviter de pincer entre les spires du ressort. Saisissez toujours par l'extrémité à crochet.

⚠️ ATTENTION

Lorsque vous manipulez chaque ressort, gardez toujours la tension du ressort sous contrôle. Relâcher brusquement le ressort alors qu'il y a encore de la tension pourrait l'endommager et faire en sorte que ses mouvements soient imprévisibles.

ARTICLE(S) REQUIS



#6 x 1



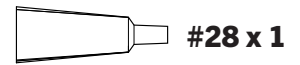
#20 x 6



#24 x 6



#26 x 6



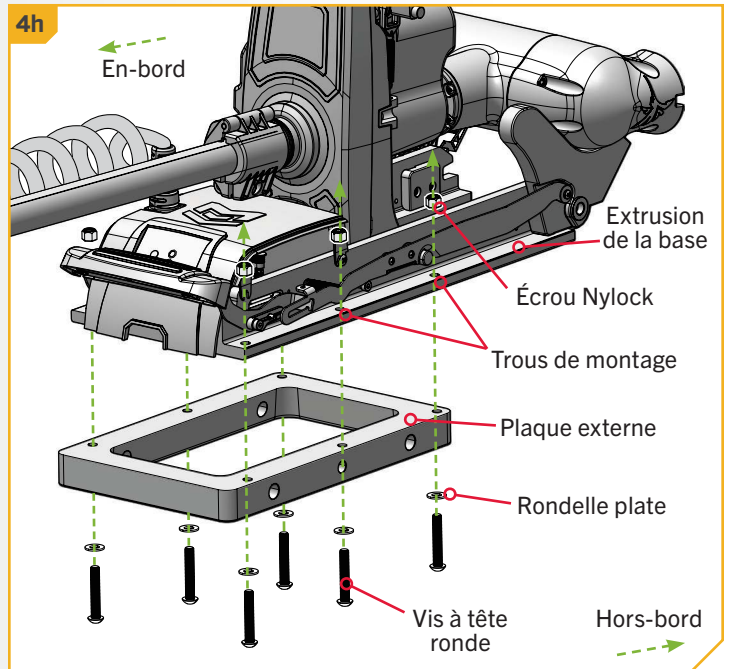
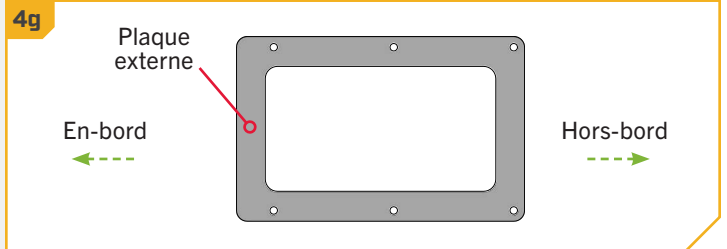
#28 x 1

- g. Placez la plaque externe (article n° 6) contre le fond de l'extrusion de la base. Les trous encastrés dans la plaque extérieure doivent être orientés vers le bas, vers le pont du bateau. Positionnez la plaque externe de manière à ce que l'extrémité avec les trous de montage les plus éloignés du bord pointe vers l'en-bord lorsqu'elle est montée sur le moteur. Alignez les trous de montage dans la plaque externe avec les trous de montage dans l'extrusion de la base qui ont été exposés lorsque les plaques latérales et les ressorts ont été retirés.

AVIS : Pour prévenir le grippage de la quincaillerie en acier inoxydable, n'utilisez pas d'outils haute vitesse pour l'installation. Mouiller les vis ou appliquer un produit antigrippant (article n° 28) peut aider à prévenir qu'elles grippent.

- h. Utilisez six vis à tête ronde (article n° 20), les rondelles plates (article n° 24) et les écrous Nylock (article n° 26) pour fixer la plaque externe à l'extrusion de la base. Appliquez un produit antigrippant (article n° 28) sur toute la quincaillerie. Placez une rondelle plate sur chaque vis à tête ronde, puis installez les vis à travers la plaque externe et dans l'extrusion de la base. Tout en maintenant chaque écrou Nylock à l'aide d'une clé polygonale ou d'une clé plate 9/16 po (14,28 mm), utilisez un tournevis cruciforme n° 4 pour serrer chaque vis. Serrez à un couple de 120 po-lb (13,56 Nm). Assurez-vous que toute la quincaillerie est bien fixée.

AVIS : Faites preuve de vigilance pour éviter de pincer ou d'endommager les fils de capteur qui longent l'extrusion de la base lors de l'installation et du serrage de la quincaillerie de montage.



5

- i. La plaque externe fixée à l'extrusion de la base, réassemblez les ressorts qui ont été déconnectés. Utilisez une pince à bec pointu pour saisir l'extrémité à crochet du ressort libre. Reconnectez-le en le tirant vers le haut et en l'accrochant dans le trou du rail latéral. L'extrémité courbée du ressort doit être rattachée de haut en bas. Assurez-vous que le ressort n'est pas tordu lors de sa réinstallation. Rattachez le ressort sur les côtés droit et gauche de l'extrusion de la base.

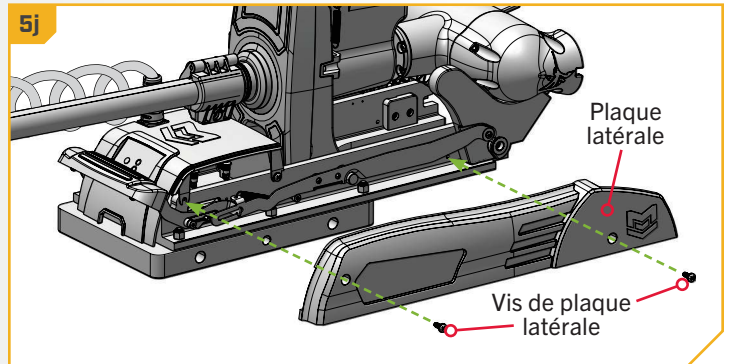
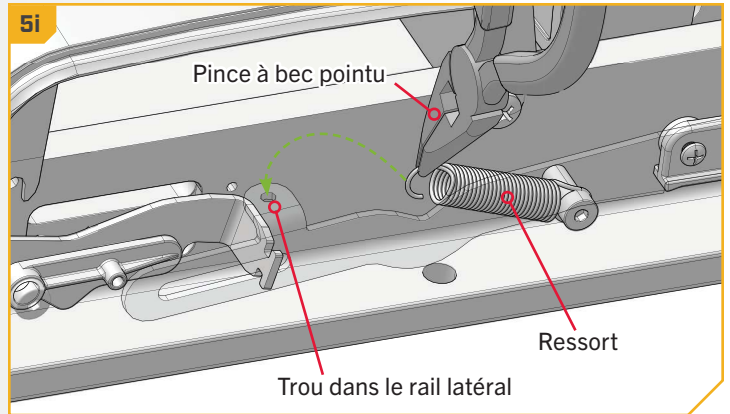
⚠ ATTENTION

Lorsque vous manipulez chaque ressort, manipulez-le avec précaution pour éviter de le plier. Ne saisissez pas le corps du ressort pour éviter de pincer entre les spires du ressort. Saisissez toujours par l'extrémité à crochet.

⚠ ATTENTION

Lorsque vous manipulez chaque ressort, gardez toujours la tension du ressort sous contrôle. Relâcher brusquement le ressort alors qu'il y a encore de la tension pourrait l'endommager et faire en sorte que ses mouvements soient imprévisibles.

- j. Les deux ressorts réinstallés, rattachez la plaque latérale droite et la plaque latérale gauche.
- k. Remplacez les quatre vis de la plaque latérale en utilisant un tournevis cruciforme n° 3. Deux de ces vis seront situées de chaque côté du support. Serrez à la main.



➤ Installation de la plaque externe sur un Ulterra ou un Riptide Instinct

1

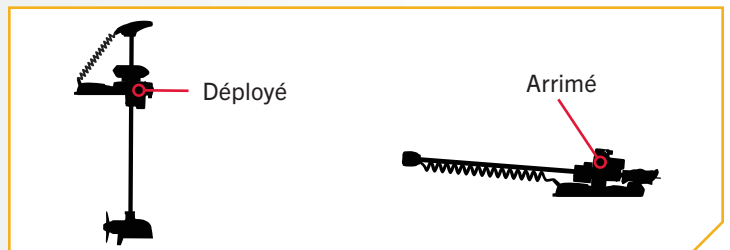
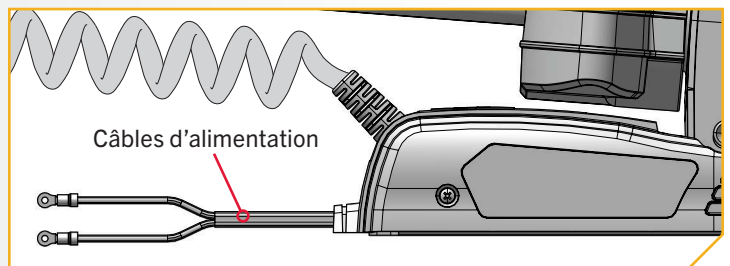
- a. Assurez-vous que les câbles d'alimentation de la batterie sont déconnectés, ou que le disjoncteur, le cas échéant, est en position « arrêt ».

⚠ AVERTISSEMENT

Assurez-vous que les câbles d'alimentation de la batterie sont déconnectés, ou que le disjoncteur, le cas échéant, est en position « arrêt ».

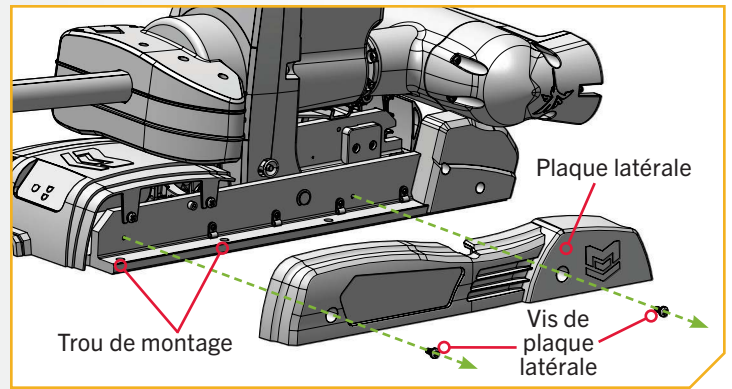
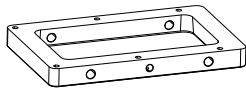
- b. Placez le support sur une surface élevée, de niveau, comme un établi ou le hayon d'une camionnette. Le moteur devrait être en position arrimée.

AVIS : Le moteur de pêche à la traîne pèse jusqu'à 90 lb (40,8 kg). Minn Kota recommande d'obtenir l'aide d'une deuxième personne pour l'installation.



2

- c. Retirez les quatre vis de la plaque latérale en utilisant un tournevis cruciforme n° 3. Deux de ces vis seront situées de chaque côté du support.
- d. Retirez la plaque latérale droite et la plaque latérale gauche pour exposer les six trous de montage dans l'extrusion de la base.

**3****ARTICLE(S) REQUIS**

#6 x 1



#20 x 6



#24 x 6

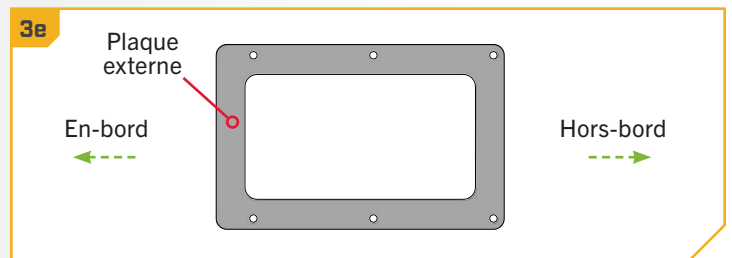


#26 x 6



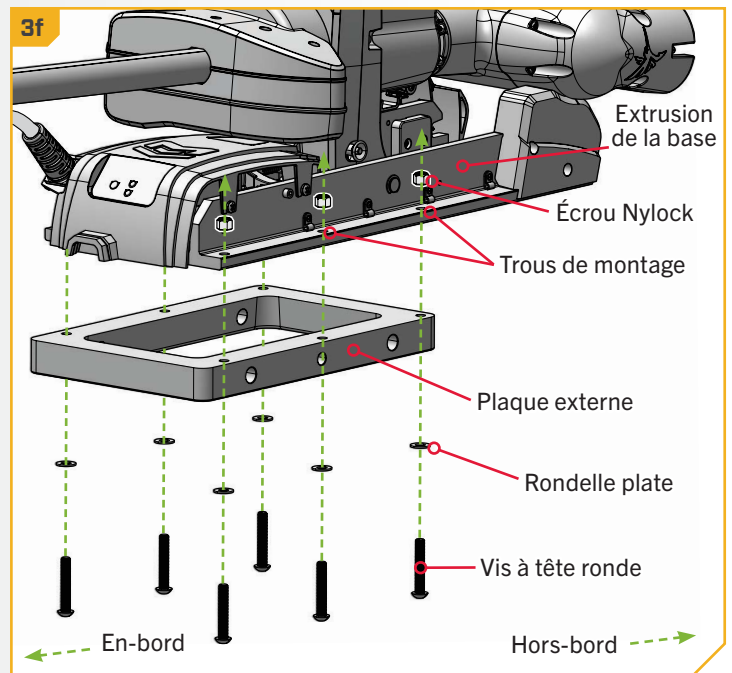
#28 x 1

- e. Placez la plaque externe (article n° 6) contre le fond de l'extrusion de la base. Les trous encastrés dans la plaque extérieure doivent être orientés vers le bas, vers le pont du bateau. Positionnez la plaque externe de manière à ce que l'extrémité avec les trous de montage les plus éloignés du bord pointe vers l'en-bord lorsqu'elle est montée sur le moteur. Alignez les trous de montage dans la plaque externe avec ceux de l'extrusion de la base.



AVIS : Pour prévenir le grippage de la quincaillerie en acier inoxydable, n'utilisez pas d'outils haute vitesse pour l'installation. Mouiller les vis ou appliquer un produit antigrippant (article n° 28) peut aider à prévenir qu'elles grippent.

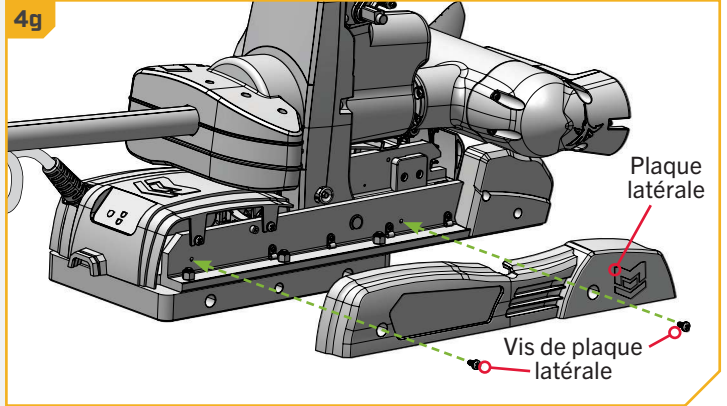
- f. Utilisez six vis à tête ronde (article n° 20), les rondelles plates (article n° 24) et les écrous Nylock (article n° 26) pour fixer la plaque externe à l'extrusion de la base. Appliquez un produit antigrippant (article n° 28) sur toute la quincaillerie. Placez une rondelle plate sur chaque vis à tête ronde, puis installez les vis à travers la plaque externe et dans l'extrusion de la base. Tout en maintenant chaque écrou Nylock à l'aide d'une clé polygonale ou d'une clé plate 9/16 po (14,28 mm), utilisez un tournevis cruciforme n° 4 pour serrer chaque vis. Serrez à un couple de 120 po-lb (13,56 Nm). Assurez-vous que toute la quincaillerie est bien fixée.



AVIS : Faites preuve de vigilance pour éviter de pincer ou d'endommager les fils de capteur qui longent l'extrusion de la base lors de l'installation et du serrage de la quincaillerie de montage.

4

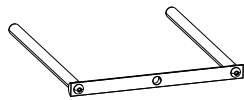
- g. Une fois la plaque externe fixée, remplacez la plaque latérale droite et la plaque latérale gauche.
- h. Remplacez les quatre vis de la plaque latérale en utilisant un tournevis cruciforme n° 3. Deux de ces vis seront situées de chaque côté du support.



Installation de l'ensemble poignée

1

ARTICLE(S) REQUIS

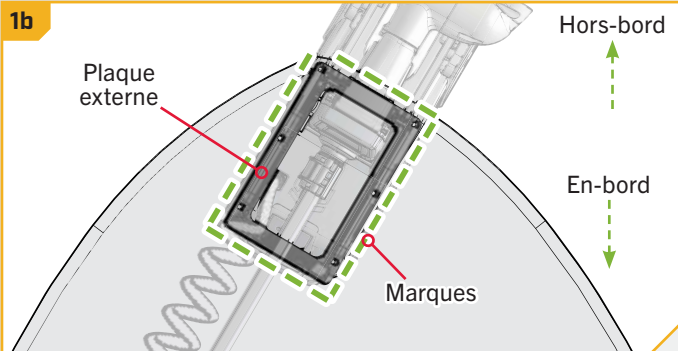
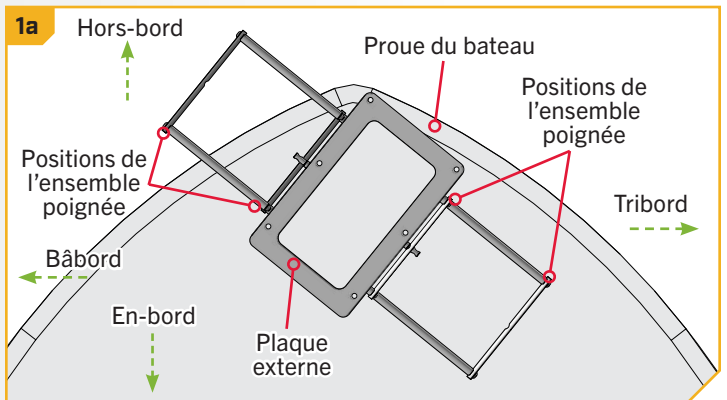
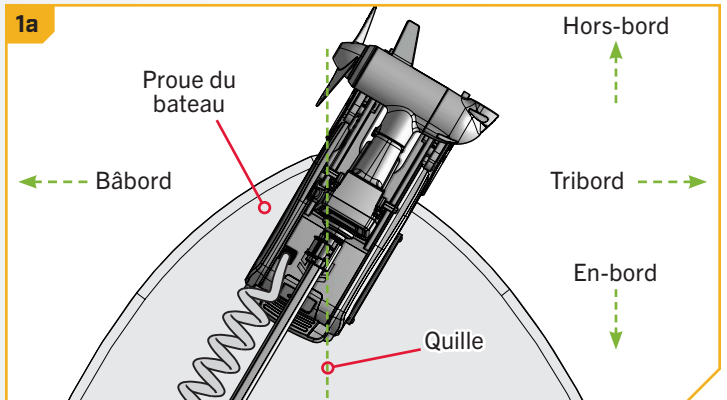


#B x 1

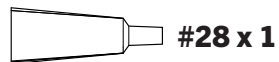


#14 x 1

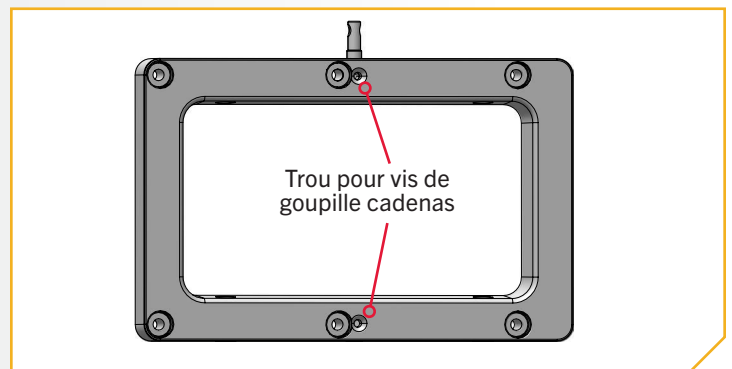
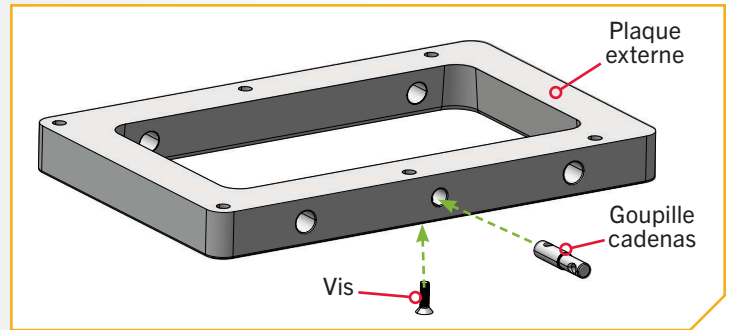
- a. Placez le moteur avec la plaque externe attachée le plus près possible de l'axe ou de la quille du bateau. Passez en revue les facteurs de montage au début de ce document. Déterminez si le moteur sera monté sur le côté bâbord ou tribord de la proue et si l'ensemble poignée (article n° B) sera libéré vers l'en-bord ou le hors-bord. Le côté du support sur lequel l'ensemble poignée est utilisé déterminera le côté où sera installée la goupille cadenas (article n° 14).
- b. Une fois un emplacement de montage déterminé et tous les dégagements confirmés, marquez les bords latéraux et arrière de la plaque externe sur la proue du bateau avec un poinçon ou un outil similaire. Ces marques seront utilisées pour positionner un gabarit pour le montage de la plaque interne.



ARTICLE(S) REQUIS



- c. Une fois la position de l'ensemble poignée sélectionnée, la goupille cadenas (article n° 14) peut être installée. Placez la goupille cadenas dans la plaque externe du côté désiré afin que le plus grand diamètre de la goupille s'installe dans la plaque externe.
- d. Prenez note des deux petits trous de vis en bas de la plaque externe. Ces trous ne passent pas complètement à travers la plaque et sont pour la vis qui retiendra la goupille cadenas. Tournez la goupille cadenas afin que le trou dans la goupille s'aligne avec ce trou de vis.
- e. Prenez la vis 1/4-20 X 7/8 (article n° 16) utilisée pour fixer la goupille cadenas et appliquez un produit antigrippant (article n° 28) sur la vis. Insérez la vis dans la plaque externe et la goupille cadenas. Fixez avec un tournevis cruciforme n° 3.

**ATTENTION**

S'assurer que la vis est installée du même côté que la goupille cadenas. Ne pas retenir la goupille cadenas avec la vis empêchera le support et le moteur de se fixer. Un moteur mal fixé peut glisser et causer des blessures.

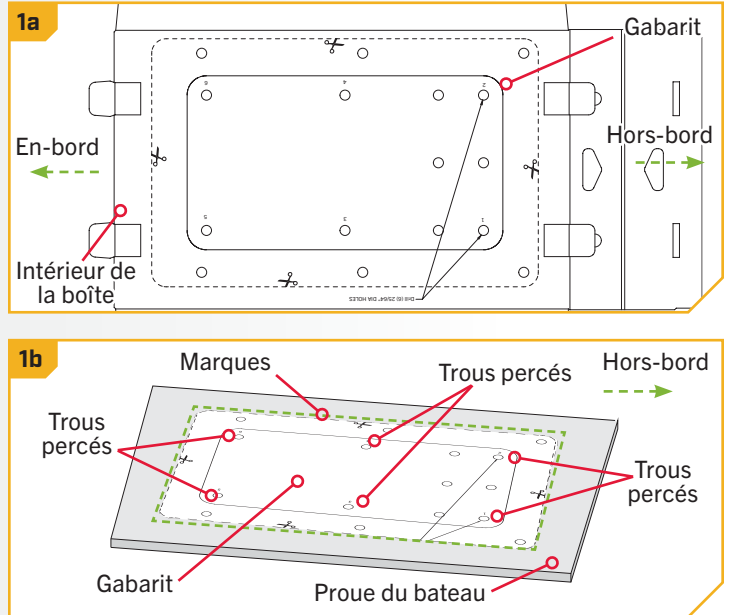
› Installer la plaque interne sur la proue

Les instructions suivantes s'appliquent uniquement aux installations où la plaque interne MKA-56/RTA-55 est montée directement sur le pont du bateau. Si vous installez la plaque interne avec une trousse de renforcement du pont du bateau (1854058), suivez les instructions d'installation fournies avec la trousse de renforcement du pont du bateau. Passez en revue les considérations de montage pour déterminer si une trousse de renforcement du pont du bateau est requise.

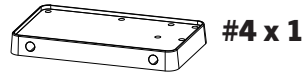
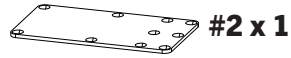
L'installation de la plaque interne sur le pont du bateau nécessitera l'utilisation de la quincaillerie incluse avec le moteur de pêche à la traîne. Cette installation utilisera six barres d'appui (pièce n° 2371796) du lot sous emballage de quincaillerie de montage (pièce n° 2994948).

1

- a. Prenez la boîte dans laquelle le support à dégagement rapide a été livré et séparez délicatement les bords collés. Ouvrez la boîte pour qu'elle soit à plat. Un gabarit de montage est imprimé à l'intérieur de la boîte pour aider à localiser, à marquer et à percer les trous pour la plaque interne. Découpez le gabarit avec des ciseaux et placez-le sur la proue.
- b. Alignez le gabarit avec les marques faites sur la proue tout en vérifiant les dégagements pour la poignée et le moteur. Assurez-vous que la direction du gabarit correspond à la direction de la plaque externe lorsqu'elle est fixée au moteur. L'extrémité avec six trous rapprochés doit être orientée hors-bord.



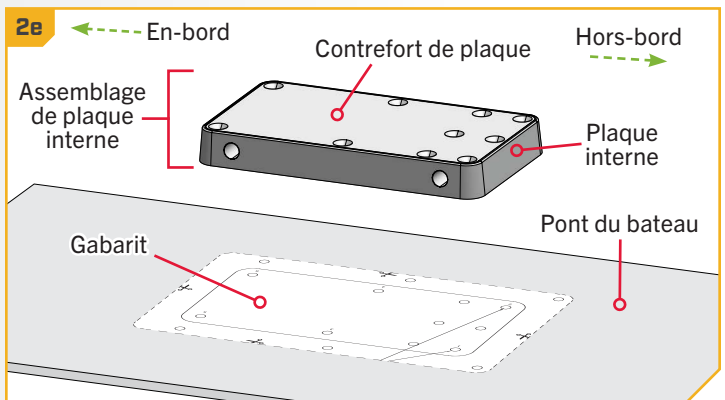
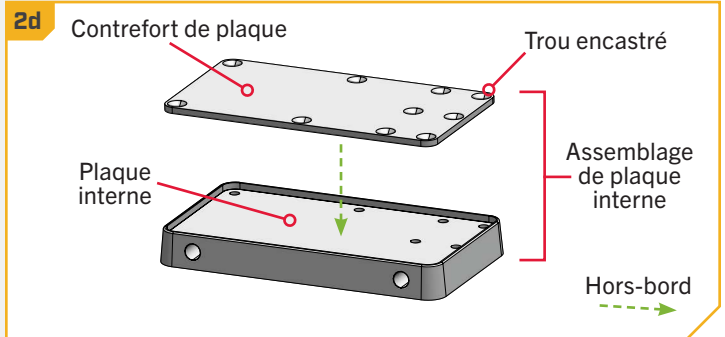
ARTICLE(S) REQUIS



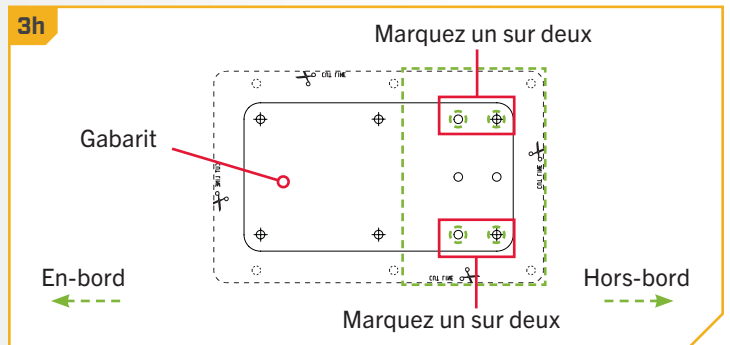
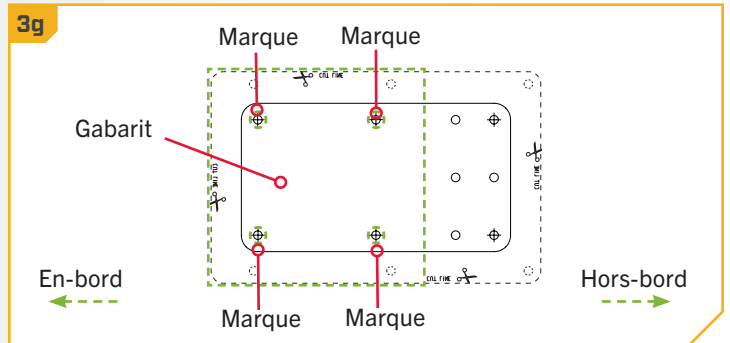
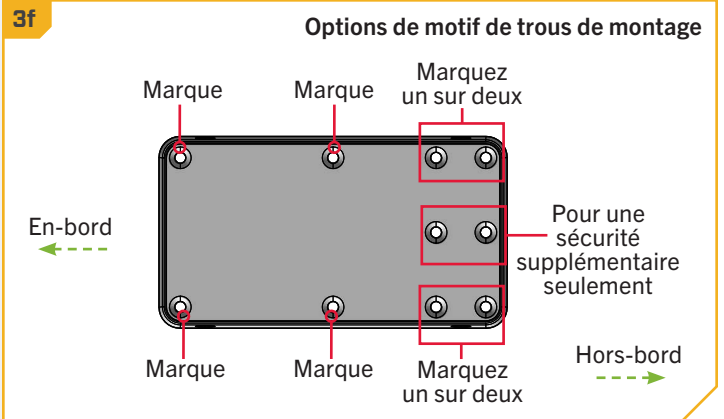
- c. Le contrefort de plaque (article n° 2) est à ras de la plaque interne (article n° 4) et peut ne pas être immédiatement visible lors du retrait du support à dégagement rapide de la boîte. La surface supérieure de la plaque interne est encastrée pour permettre de placer le contrefort de plaque. Cette surface doit être tournée vers le haut.
- d. Prenez le contrefort de plaque et placez-le dans la surface encastrée de la plaque interne. Le contrefort de plaque doit être installé sur la plaque interne afin que les trous encastrés pour les vis à tête plate soient tournés vers le haut.
- e. Notez la position du gabarit par rapport à l'assemblage de la plaque interne pour assurer un montage correct.

⚠ ATTENTION

Ne pas bien installer le produit peut entraîner des blessures dues à une défaillance du produit. Pour éviter les blessures causées par un produit endommagé, assurez-vous que le contrefort de plaque est présent sur la plaque intérieure avant d'installer le matériel de montage. Ne pas installer la plaque interne sans le contrefort de plaque.



- f. Lors du montage de la plaque interne, les six boulons de montage doivent être utilisés, trois boulons de chaque côté de la plaque. Le gabarit indique diverses options de trous de montage pour offrir de la flexibilité et tenir compte des variations dans les formes de proue. Si l'emplacement de montage désiré et le motif de trous de montage ne permettent pas qu'il y ait six boulons de montage, une trousse de renforcement du pont du bateau (1854058) doit être utilisée ou un nouvel emplacement de montage doit être sélectionné.
- g. Marquez le pont du bateau avec les quatre trous de montage sur le gabarit qui sont les plus éloignés à l'**en-bord**.
- h. Jetez un coup d'œil sur le gabarit le plus éloigné **hors-bord**. Il reste six trous de montage sur le gabarit. Les deux trous de montage centraux du motif assurent une sécurité supplémentaire uniquement et ne doivent pas être utilisés pour l'installation principale de la plaque interne. Sélectionnez un motif parmi les quatre trous de montage restants. Marquez les deux trous les plus éloignés à l'en-bord sur la plaque interne. Les trous choisis n'ont pas besoin d'être symétriques, à condition qu'au moins un boulon de montage soit utilisé de chaque côté de la plaque interne.
- i. Utilisez le gabarit pour marquer les emplacements des six trous de perçage. Utilisez une perceuse avec une mèche de 13/32 po (10,32 mm) pour percer des trous aux endroits marqués dans le pont du bateau.



ARTICLE(S) REQUIS



#22 x 6



#26 x 6



#28 x 1

AVIS : Les images sont une représentation graphique seulement et peuvent être varier de votre position de montage.

- j. Prenez l'assemblage de la plaque interne et placez-le sur le pont du bateau. Alignez les trous de montage de l'assemblage de plaque interne avec les trous percés dans le pont du bateau à l'aide du gabarit.

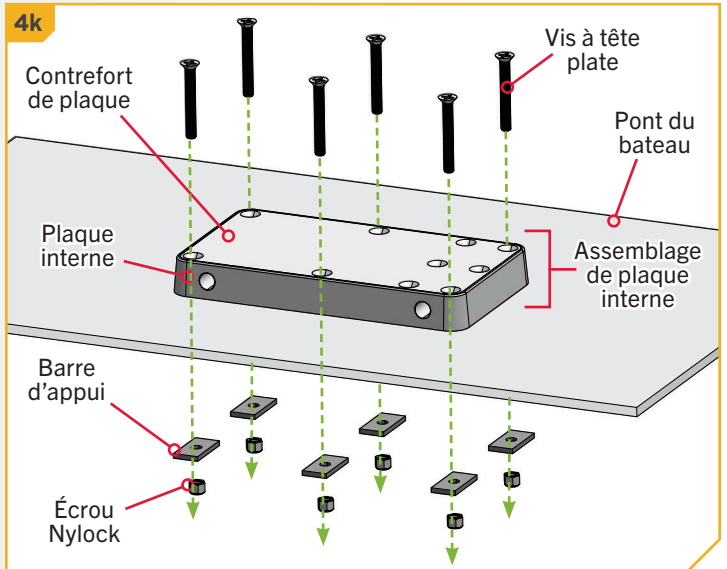
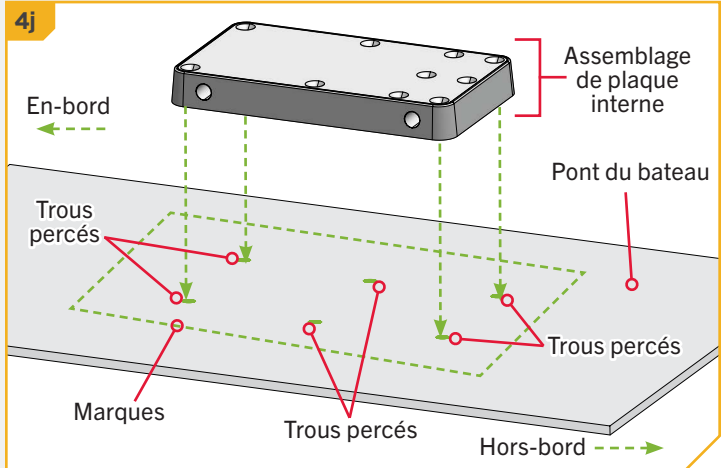
ATTENTION

Ne pas bien installer le produit peut entraîner des blessures dues à une défaillance du produit. Pour éviter les blessures causées par un produit endommagé, assurez-vous que le contrefort de plaque est présent sur la plaque intérieure avant d'installer le matériel de montage. Ne pas installer la plaque interne sans le contrefort de plaque.

AVIS : Pour prévenir le grippage de la quincaillerie en acier inoxydable, n'utilisez pas d'outils haute vitesse pour l'installation. Mouiller les vis ou appliquer un produit antigrippant peut aider à prévenir qu'elles grippent.


AVIS : Cette installation nécessite l'utilisation de la quincaillerie incluse avec votre moteur de pêche à la traîne. Les six barres d'appui (pièce n° 2371796) du lot sous assemblage de quincaillerie du moteur (pièce n° 2994948) sont requises.

- k. Insérez une vis à tête plate 3/8-16 x 3 po (article n° 22) dans chacun des six emplacements percés. Appliquez un produit antigrippant (article n° 28) sur toute la quincaillerie. Les vis à tête plate devraient traverser le contrefort de plaque et la plaque interne qui comprennent l'assemblage de plaque interne, puis traverser le pont du bateau.
- l. Placez une barre d'appui (pièce n° 2371796) et un écrou Nylock (article n° 26) à l'extrémité de chaque vis. Tout en maintenant chaque écrou Nylock à l'aide d'une clé polygonale ou d'une clé plate 9/16 po (14,28 mm), utilisez un tournevis cruciforme n° 4 pour serrer chaque vis. Assurez-vous que toute la quincaillerie est bien fixée.



1

ARTICLE(S) REQUIS

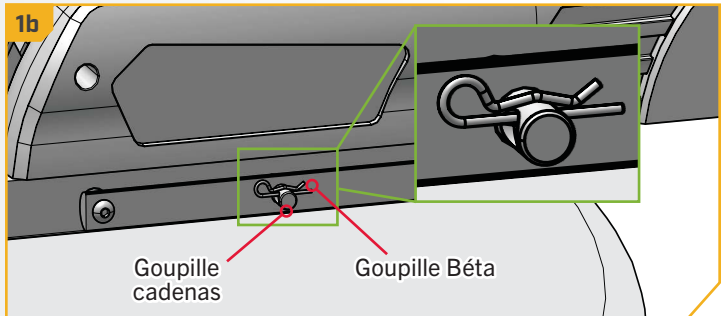
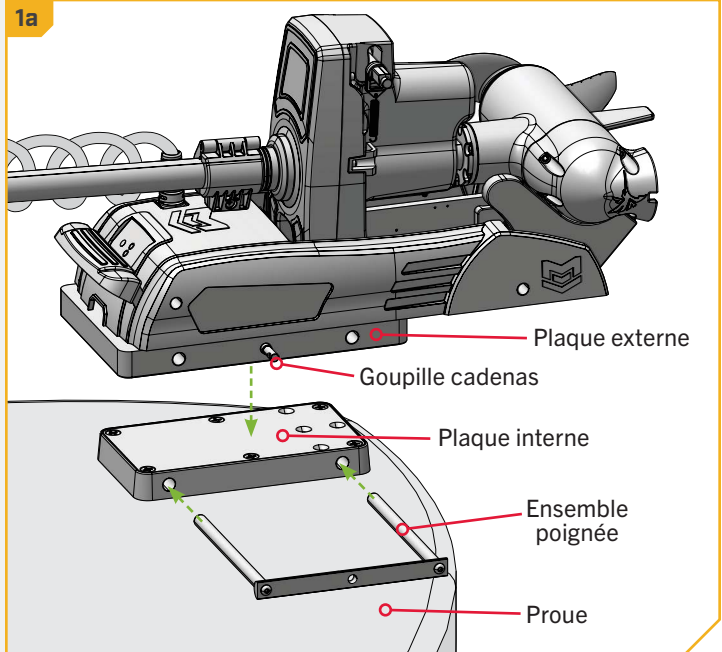
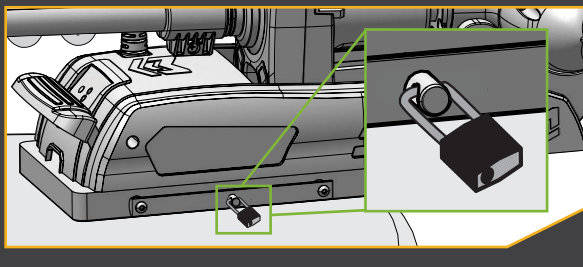
 #18 x 1

- Remplacez la plaque externe fixée au moteur sur la plaque interne qui a été montée à l'étrave du bateau. Pour fixer les plaques ensemble, insérez l'ensemble poignée du même côté que la goupille cadenas.
- Insérez la goupille bêta (article n° 18) dans la goupille cadenas pour terminer l'assemblage. La broche droite de la goupille bêta doit passer à travers le centre de la goupille cadenas, la broche courbée enroulée autour de l'extérieur de la goupille cadenas. La goupille cadenas doit se trouver dans l'arche centrale de la goupille bêta.

ATTENTION

Avant d'utiliser ou de transporter le moteur de pêche à la traîne, assurez-vous toujours que l'assemblage de poignée est entièrement inséré et retenu par la goupille bêta. Ne pas insérer et fixer l'assemblage de la poignée peut entraîner des blessures causées par la chute d'un moteur.

AVIS : Un cadenas peut être utilisé à la place de la goupille Bêta pour empêcher le vol du moteur. Le diamètre du trou dans la goupille cadenas est de 1/4 po (0,63 cm).



Pour obtenir des renseignements sur la garantie, veuillez visiter minnkota.johnsonoutdoors.com.



minnkota.johnsonoutdoors.com 

Part #2374949

Minn Kota Consumer & Technical Service
Johnson Outdoors Marine Electronics, Inc.
PO Box 8129
Mankato, MN 56001

121 Power Drive
Mankato, MN 56001
Phone (800) 227-6433
Fax (800) 527-4464



©2023 Johnson Outdoors Marine Electronics, Inc.
All rights reserved.

ECN 43074

Rev B

05/23