

## Description

The PS1000-12 up to PS1800-48 professional DC to AC true sinewave inverters, offer superior performance for a wide range of applications. Unlike many other inverters, the very clean and interference free output of a Powersine inverter ensures correct operation of sensitive equipment like displays, test equipment and battery chargers.

The very robust electronic and mechanical design, make the Powersine inverter series the best choice for reliability. Designed for an extremely long lifespan and protected against short circuits, overloading and high temperatures, a Powersine inverter will deliver trouble free operation for many years.

The newest available technology results in extremely efficient operation with very low 'no-load' consumption. The Automatic Standby Function (ASB), standard in all Powersine inverters, will even reduce the no-load consumption by an extra 70%!



All Powersine inverters are easy to install and operate. Each Powersine inverter comes standard with DC cables and a very clear installation and operating instruction manual.

## Features

- True sinewave AC output
- Robust industrial design
- High surge power output
- Very efficient
- Protected against high/low battery voltage, high temperature, overload, short circuit and high ripple voltage
- Automatic Standby function to reduce no-load power consumption
- Variable speed fan for silent operation
- Remote on/off capability
- Alarm relay
- Remote control capability via TBSLink
- Easy to access connection bay for installing AC-, DC and control wiring
- 1.5 meters DC connection cable included
- CE certified
- 24 month warranty

## Applications

- Recreational vehicles
- Marine applications
- Solar power systems
- Industrial systems
- Mobile entertainment systems
- Service vehicles

## Technical specifications

Parameter		PS1000-12 art # 5006100	PS1400-24 art # 5006120	PS1600-12 art # 5006300	PS1800-24 art # 5006320	PS1800-48 art # 5006360
<b>Output power<sup>1)</sup></b>	Pnom	850W	1000W	1300W	1400W	1400W
	P10minutes	1050W	1450W	1600W	1800W	1800W
	Psurge	2000W	2800W	2500W	3000W	3000W
<b>Output voltage</b>		230Vac ± 2%				
<b>Output frequency</b>		50Hz or 60Hz ± 0.05% (selectable)				
<b>Output waveform</b>		True sinewave (THD < 5%1) @ Pnom				
<b>Input voltage (±3% tolerance) Nominal</b>		12Vdc	24Vdc	12Vdc	24Vdc	48Vdc
	Range	10.5 <sup>2)</sup> – 16.0Vdc	21.0 <sup>2)</sup> – 31.0Vdc	10.5 <sup>2)</sup> – 16.0Vdc	21.0 <sup>2)</sup> – 31.0Vdc	41.0 <sup>2)</sup> – 60.0Vdc
<b>Maximum efficiency</b>		92%	92%	92%	92%	94%
<b>No load power consumption<sup>3)</sup></b>		<9.6W	<12W	<9.6W	<12W	<12W
	[ASB]	[2.5W]	[3.5W]	[2.5W]	[3.5W]	[4.7W]
<b>ASB threshold</b>		Pout=10W				
<b>Operating temperature range (ambient)</b>		-20°C ... +50°C (humidity max. 95% non condensing)				
<b>Storage temperature range</b>		-40°C ... +80°C (humidity max. 95% non condensing)				
<b>Cooling</b>		Variable speed fan controlled by temperature and load				
<b>Communication port</b>		TBSLink (readout only)				
<b>Protected against</b>		Short circuit, overload, high temperature, AC back feed, high/low battery voltage and high input ripple voltage				
<b>Indications</b>		Power on, output power bar, error and ASB mode				
<b>DC input connections (cable length 1.5m)</b>		PS1000-12 / PS1400-24 / PS1800-48: 2 x 25 mm <sup>2</sup>		PS1600-12 / PS1800-24: 2 x 35 mm <sup>2</sup>		
<b>AC output connections</b>		Screw terminals				
<b>Enclosure body size</b>		351 x 210 x 114 mm				
<b>Total weight</b>		PS1000-12 / PS1400-24: 10.2 kg		PS1600-12 / PS1800-24 / PS1800-48: 10.5 kg		
<b>Protection class</b>		IP21 (mounted in upright position)				
<b>Standards</b>		CE marked meeting EMC directive 2014/30/EU and LVD 2014/35/EU complying with EN60335-1, e4-95/54/EC, RoHS 2011/65/EU				

Note: the given specifications are subject to change without notice.

<sup>1)</sup> Measured with resistive load at 25°C ambient. Power ratings are subject to a tolerance of 10% and are decreasing as temperature rises with a rate of approx. 1.2%/°C starting from 25°C

<sup>2)</sup> Undervoltage limit is dynamic. This limit decreases with increasing load to compensate the voltage drop across cables and connections

<sup>3)</sup> Measured at nominal input voltage and 25°C

## Accessories

- Universal Remote Control with LCD
- Basic Remote Control with LEDs
- TBSLink communication kit including software



Basic Inverter Remote Control, art # 5095200

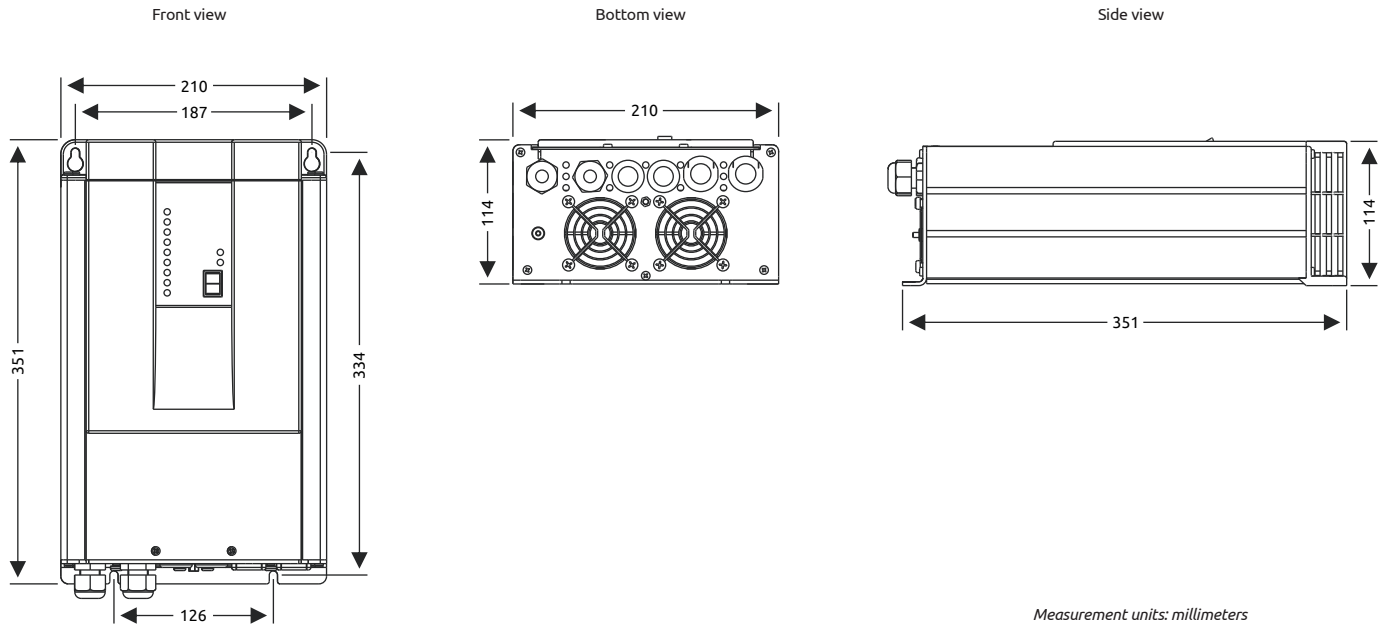


Universal Remote Control, art # 5095500



TBSLink to USB Interface Kit, art # 5092120  
(Includes TBS Dashboard for monitoring the Powersine inverters)

# Dimensions



# Basic application diagram

