

POWER & CONTROL

XTREME POWER ASSIST

The Xtreme Power Assist is engineered to bring the smooth, easy control of electric power-assisted steering to a wide range of popular boats, including pontoons, runabouts, RIBs, aluminum fishing boats and center consoles.

**REDUCED STEERING
EFFORT**

SIMPLE INSTALLATION
PLUG-AND-PLAY SYSTEM

SAFE AND SECURE
BUILT IN FAIL-SAFE SYSTEM



Mobile living made easy.

 **DOMETIC** **OUTDOOR**

XTREME POWER ASSIST

EXPERIENCE SMOOTH HANDLING WITH YOUR CURRENT MECHANICAL STEERING SYSTEM

The Xtreme Power Assist Steering is engineered to bring the smooth, easy control of electric power-assisted steering to a wide range of popular boats, including pontoons, runabouts, RIBs, aluminum fishing boats and center consoles. This is an affordable, easy-to-install solution that offers a more enjoyable driving experience.

Strong And Durable

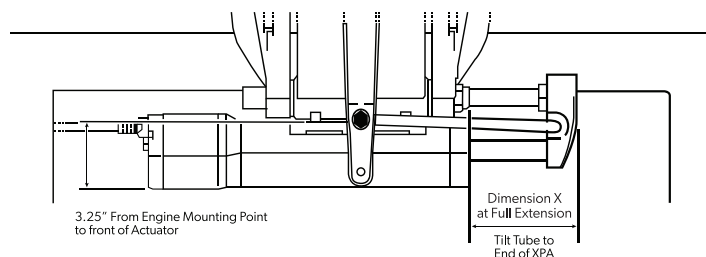
This system differs vastly from competitive “electric helm” systems on the market, because it does not increase the load on the mechanical steering helm or cable. Once this system is installed, the mechanical steering cable now only turns the power assist unit, while the electric steering actuator actually turns the engine load. This ensures reliable long-term performance in real-world, on-the-water conditions.

Key Benefits

- Significantly reduced steering effort provides a car-like driving experience for mechanically steered boats.
- Engineered to fit a wide range of single engine, mechanically steered outboard boats from 90-200HP.
- Integrates with any existing SeaStar rack or rotary cable steering system, so there is no need to install new steering to take advantage of this new technology.
- Designed as a self-contained, plug-and-play system which easily mounts to all major outboard brands and integrates with the boat’s existing mechanical steering in less than 30 minutes.
- Built in Fail-safe System automatically reverts to mechanical steering in the event of a system failure.

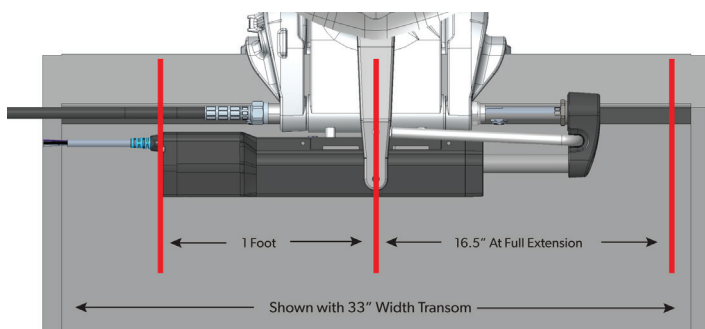


Xtreme Power Assist Transom Requirements



MANUFACTURER	MODEL	DIMENSION "X"
Suzuki	DF70A, DF80A, DF90A	10.2"
	DF100A, DF115A, DF140A	10.2"
	DF150A, DF175A, DF200A	10.2"
Yamaha	F75C, F100B, F115A	10.2"
	F75B, F80B, F90B, F100D	10.2"
	F75F, F90C/D, F100F/G, F115B, F130A	10.2"
Honda	F150A/B, F150C/D/F, F165A, F175A/B, F185A, F200F/G	10.0"
	BF75, BF90, BF100	10.2"
	BF115, BF135, BF150	10.2"
Mercury	BF200	10.2"
	75/90/115 four stroke, 70/90/115 SeaPro, 115 ProXS	10.2"
	135/150 four stroke, 135/150 SeaPro, 150 ProXS	10.6"
Evinrude	175/200 four stroke, 200 SeaPro, 175 ProXS	10.2"
	E75 (DPL, DPX, DSL)	9.6"
	E90 (DPL, DPX, DSL)	9.6"
	E115 (DBX, DCX, DHL, DPL, DHX, DPX, DSL, HSL)	9.6"
	E130 (DCX, DPL, DPX, DSL)	9.6"
	DE150/E150 (DCX, DPX, DBX, DCX, DHL, DPL, DPX, DSL, HSL)	9.6"
E175 (DCX, DPL, DPX, DSL)	9.6"	
	DE200/E200 (2.6L - CX, PX, DCX, DPX, DSL)	9.6"

Xtreme Power Assist Clearance Requirements



PART NO.	DESCRIPTION
XPA1012P	Xtreme Power Assist Steering Unit
XPA1012B	Xtreme Power Assist, Bulk Package of 9
SA27715P	BRP Body Spacer Plate and Mounting Hardware