

# Power Relays 12 V, 75 A

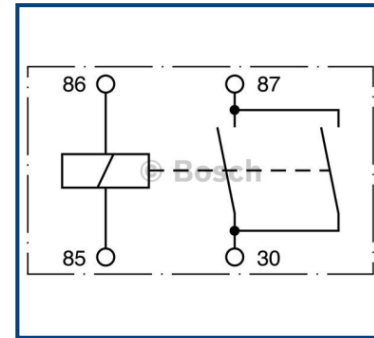
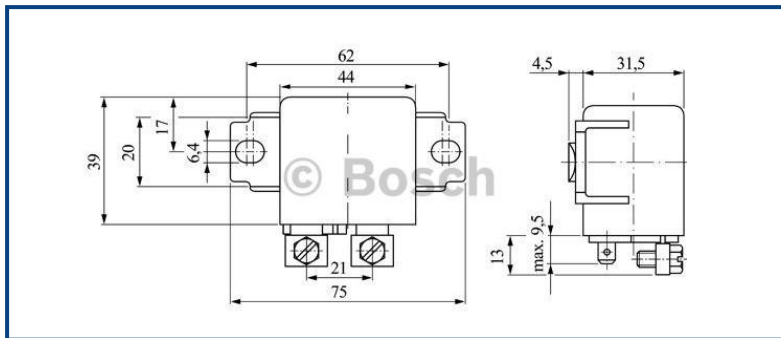
## 0 332 002 150

Replaced by: 0 332 002 168

Change over	Normal close	Normal open
		✓

Pre contact

Mounting bracket	Resistor	Diode	Life durability	Current	Voltage	Housing type	Temperature range	Degree of protection housing	Degree of protection connection
✓	X	X	125.000	75 A	12 V	Plastic housing	-40...+100°C	IP5K4	IP20



[Back to general overview](#)