



VeeConnect

DIGITAL POWER MANAGEMENT SYSTEM

A 12 CHANNEL DC SWITCHING MODULE WITH A REMOTE TOUCH SCREEN CONSOLE FOR STREAMLINED CONTROL.

The VeeConnect has a robust solid state design based on an aerospace pedigree. It has an efficient builder configuration, giving reduced system and installation costs.

The module is both programmable and operable via our 5" or 7" slimline sunlight readable PCAP touch screen displays. Delivering modern tablet like aesthetics in an IP67 rated housing. Additional consoles can be added to operate multiple modules from multiple locations.

Each of the modules 12 channels are configurable including options such as fuse rating, analogue or digital inputs, switch type (slider, on/off, burst), and have a library of predefined icons and switch descriptions available.

Module Features:

- > All 12 channels:
 - capable of 20 Amps each
 - support PWM for lighting
 - reverse analogue or digital inputs
- > 2 pairs capable of motor reversing
- > NMEA 2000 compatible
- > IP67 all around protection
- > Robust solid state design

Display Features:

- > NMEA 2000 connected
- > IP67 all around protection
- > 5" or 7" slimline options
- > Fully sunlight readable
- > Touch and swipe functions
- > Easy to configure interface



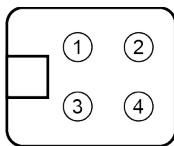
VeeConnect module

Electrical		Mechanical	
Power Requirements	10 V to 32V DC	Case material	ABS
Connection	1x NMEA 2000 M12 3x 4 PIN Deutsch 1x 24 PIN GP10	Case colour	Anthracite Grey
		Dimensions	315mm (W) x 53mm (H) x 210mm (L)
Input / Output		Environmental	
Analogue Input	12 x Analogue input support 0 - 28V input (< 100 Hz)	Operating temperature	-30°C to +70°C
Digital Input	12 x Digital inputs (open collector)	Storage Temperature	-40°C to +85°C
Outputs	12 x Circuit breaker outputs (20 Amp max) - 3 capable of reverse current blocking - all channels capable of PWM - 2 pairs polarity reversible	Degree of Protection	IP67
		Part Number	
		6001	VeeConnect switching module
		5000	T5 5" Display
		7011	T7i 7" Display

Module connectors

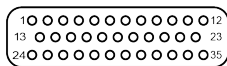
BREAKER OUTPUTS **Mating Connector Part No.**
 TE CONNECTIVITY
 PN DTP06-45-E004

Pinout (Front View)



GPIO INTERFACE **Mating Connector Part No.**
 TE CONNECTIVITY
 PN 776164-1

Pinout (Front View)

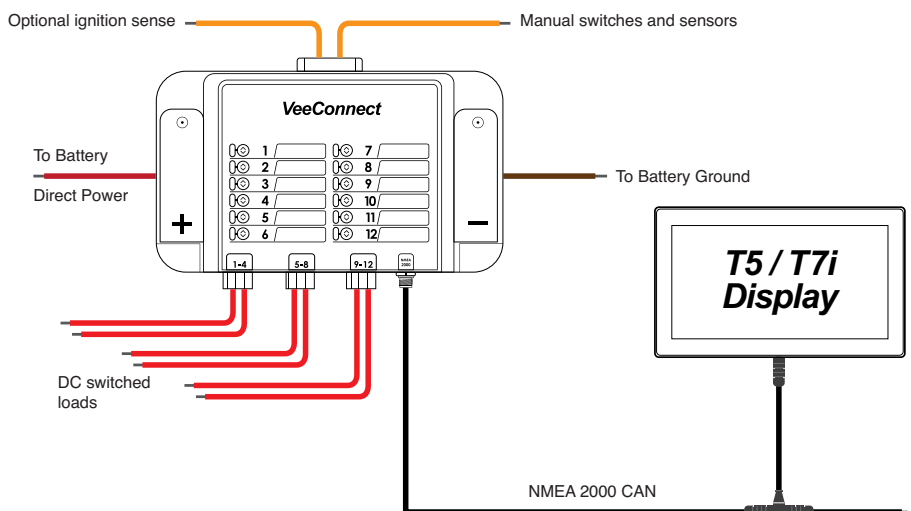


NMEA 2000 **Mating Connector Part No.**
 NEMA 2000
 COMPLIANT

Pinout (Front View)



How to connect the VeeConnect module





Specifications

T5 5" Touch Display

Hardware

CPU	Freescale iMX 6 800Mhz and additional Graphics Processor
FLASH Memory	512 MB SLC NAND
SDRAM	256 MB DDR3

Electrical

Display	PCAP LCD 5.0"
Resolution	800 (H) x 480 (V) WVGA
Active Area	108.0mm (H) x 64.8mm (V)
Viewing Angle	70 degrees left/right/down/up
Contrast Ratio	700:1
Brightness	1000 NIT (cd/m2) Full sunlight readable
Power Requirements	8V to 32V DC
Sounder	Internal Buzzer
Connection	5 x M12 Connectors

Environmental

Operating temperature	-20°C to +70°C
Storage Temperature	-40°C to +80°C
Degree of Protection	IP67

Mechanical

Case material	ABS
Case colour	Anthracite Grey
Dimensions	133mm (W) x 94mm (H) x 11mm forward and 48mm rear (D)

Part Number

5000	T5 5" CAN Display
5001	T5 5" CAN Display with Engine Monitor Software Preloaded

T7i 7" Touch Display

Hardware

CPU	Freescale iMX 6 800Mhz and additional Graphics Processor
FLASH Memory	512 MB SLC NAND
SDRAM	256 MB DDR3

Electrical

Display	PCAP LCD 7.0"
Resolution	800 (H) x 480 (V) WVGA
Active Area	152.4mm (H) x 91.44mm (V)
Viewing Angle	70 degrees left/right/down/up
Contrast Ratio	600:1
Brightness	800 NIT (cd/m2) Full sunlight readable
Power Requirements	8V to 32V DC
Sounder	Internal Buzzer
Connection	5 x M12 Connectors

Environmental

Operating temperature	-30°C to +80°C
Storage Temperature	-30°C to +80°C
Degree of Protection	IP67

Mechanical

Case material	ABS
Case colour	Anthracite Grey
Dimensions	181.1mm (W) x 124mm (H) x 11mm forward and 56.4mm rear (D)

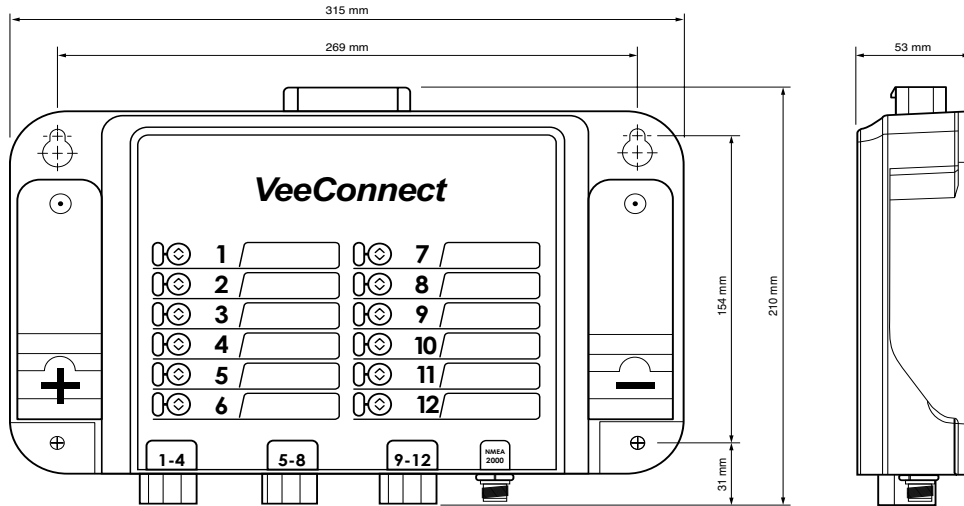
Part Number

7010	T7i 7" CAN Display
7011	T7i 7" CAN Display with Engine Monitor Software Preloaded



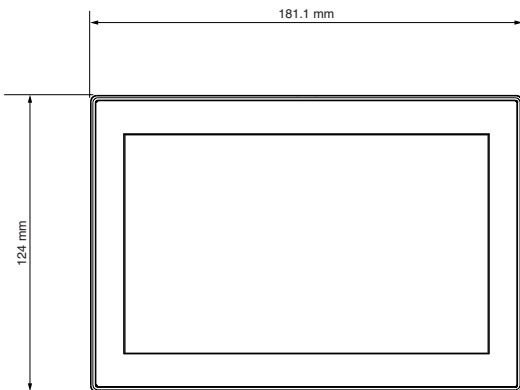
Dimensions (Version No. 05)

VEECONNECT SWITCHING MODULE

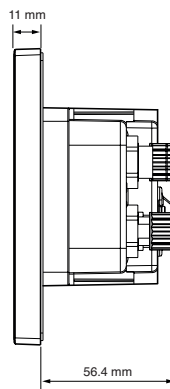


T7i 7" TOUCH DISPLAY

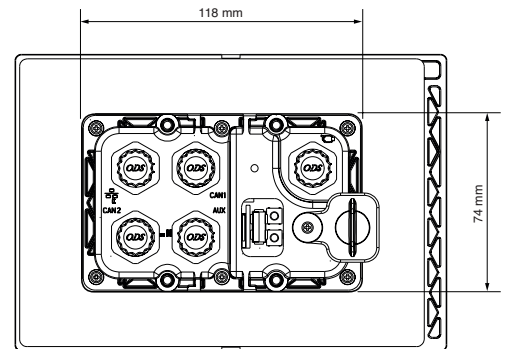
FRONT VIEW



SIDE VIEW

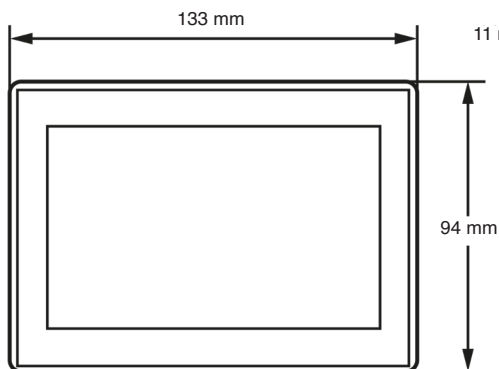


REAR VIEW

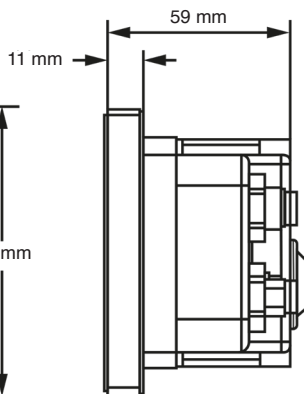


T5 5" TOUCH DISPLAY

FRONT VIEW



SIDE VIEW



REAR VIEW

