

## PAIRING ST WIRELESS REMOTE TO ST SPOTLIGHT

Each ST wireless remote has a unique operating code. The Stryker® ST spotlight is not paired to the remote at the factory and must be paired by the user before the spotlight will respond to the remote. The spotlight has a learn mode for pairing that is initiated for the first six seconds after power is applied.

To pair:

1. Disconnect power from the spotlight.
2. Set remote for spotlight #1. Depress any directional key to check. The indicator LED for spotlight #1 only should be lit when you do this. If not, depress the spotlight selector button for five seconds to toggle to next setting. You may have to do this twice.
3. Press and hold the on/off key + speed selector key on the remote while simultaneously reconnecting power to the spotlight. After three seconds the lamp will flash three times to confirm the pairing process was successful.

## OPTIONAL PAIRING POSSIBILITIES:

It is also possible to pair:

- One ST remote to control two ST spotlights
- Two ST remotes to control one ST spotlight (transmitter replication)

When using one remote to control two spotlights, the spotlight selector function allows the user to control the spotlights independently or in tandem. For directions on these optional pairing possibilities please see [golight.com/pairing](http://golight.com/pairing).

## OPERATION OF STRYKER® ST

1. Insert the cigarette plug from spotlight into the vehicle 12V DC socket on magnetic mount models. On permanent mount models connect the power wires to power source.
2. Using the remote, turn on the light by depressing the on/off key.
3. With the 4-way arrows on the remote, rotate or tilt your spotlight to the desired position. The spotlight can be rotated and tilted simultaneously. Depending upon conditions, the wireless remote may be used up to 80 feet from the spotlight.
4. The speed of the spotlight rotation or tilt can be controlled by depressing the speed selection key one time and by depressing it again to restore the original speed.

## BATTERY REPLACEMENT AND DISPOSAL

1. See instructions above for battery installation in the hand-held and dash mount remotes
2. Remove old batteries by gripping the positive end of each battery and lifting.
3. Batteries must be installed with proper polarity (positive and negative) as shown inside battery compartment.
4. Properly dispose of used batteries at your local recycling center.

## SAFETY PRECAUTIONS

Your Stryker® ST Series wireless spotlight contains a radio transmitter and receiver operating at 2.4 GHz. Whenever the light is on, the internally mounted antennas send out and receive radio frequency (RF) energy.

Modern electronic equipment, i.e. personal medical devices such as pacemakers, hearing aids, etc. are shielded from RF energy. However, RF energy may affect some electronic equipment.

Vehicle electronic systems may be affected by RF energy. Check with your vehicle manufacturer representative to be sure that your Stryker® ST will not affect the electronic system of your vehicle.

## PRODUCT SAFETY WARNINGS/PROPER USE & MISUSE

- ⚠ **WARNING:** You risk death or serious injury to yourself and others if you do not follow the instruction highlighted by the warning symbol. Failure to follow the specific warnings and instructions could result in personal injury, fire or electrical shock.
- ⚠ **WARNING:** This light is for off-road and utility use only. It is not designed or approved for road use as a driving light.
- ⚠ **WARNING:** The portable mount Stryker® ST spotlight must be removed from the vehicle's exterior while traveling at excessive speeds and in strong wind conditions.
- ⚠ **WARNING:** The Stryker® ST spotlight complies with Part.15 of the FCC Rules. Operation is subject to the following two conditions: (1) This light and remote may not cause harmful interference, and (2) this light and remote must accept any interference received, including interference that may cause undesired operation.
- ⚠ **WARNING:** Changes or modifications made by the user not expressly approved by Golight, Inc. for compliance could void the user's authority to operate the equipment.
- ⚠ **WARNING:** This spotlight is not approved for use inside a vehicle or enclosure and power should be disconnected prior to placing the light in such circumstance.

⚠ **WARNING:** This spotlight is not approved for underwater use.

⚠ **WARNING:** This spotlight is not approved for inverted mounting.

⚠ **WARNING:** This spotlight should not be turned on when snap on lens cover (rockguard) is attached.

⚠ **WARNING:** This spotlight may be damaged if operated in icing conditions.

## PARTS / ACCESSORIES

Stryker® ST parts and accessories may be purchased through Golight, Inc. Visit our web store at:

<http://store.golight.com> or contact us at 308.278.3131 or 800.557.0098.

## FIVE YEAR LIMITED WARRANTY

Golight, Inc. warrants the Stryker® ST against any deemed defects that are due to workmanship for parts or faulty materials, except halogen lamps, for five years from the date of the original purchase. This warranty does not cover damage resulting from unreasonable use or misuse, unreasonable maintenance or loss, or labor costs.

Warranty information must be filled out within 30 days of purchase at: <http://golight.com/products/registration.html>, for warranty protection.

If the Stryker® ST does fail to operate under warranted specifications, please call 1-800-577-0098 for a Return Goods Authorization number. After receiving an RGA#, send the light and remote controls postage paid to:

Golight, Inc.  
Attn: RGA# \_\_\_\_\_  
37146 Old Hwy 17  
Culbertson, NE 69024-8226.

No C.O.D.'s accepted. Only the above manufacturer is authorized to perform warranty repair or replace product.

Any consequential damages to person or property are excluded from this warranty. Some states do not allow the exclusion and limitation of incidental or consequential damages, therefore the above limitations or exclusions may not apply to you. This warranty gives you specific legal rights and you may also have other rights.

## End of Useful Life

For information regarding the proper disposal/recycling of the spotlight contact Golight at 800.557.0098

# Golight® Stryker® ST Series Wireless



## Instruction Guide

### Congratulations

You are now the owner of one of the finest remote control searchlights available today. Thank you for letting Golight® assist you in your lighting application needs. We're proud of our products and the technology that we've developed to ensure our customers the most durable, versatile and powerful searchlights in the lighting industry.

Please read these instructions before using your new Golight® Stryker®.



## Instruction Guide

The Golight® Stryker® ST wireless remote spotlights are designed to be attached to a vehicle using a magnetic or permanent mount and operated by a wireless remote control. Each spotlight has 370° horizontal rotation and 135° vertical tilt.

**The Stryker® ST Includes:**

- Stryker® ST Spotlight
- ST Wireless Remote with two AAA 1.5V Batteries
- Rockguard (halogen units only)

**Permanent Mount Units Include:**

- Mounting Plate
- Three #8-16 x 3/4 inch stainless steel panhead self-tapping screws

**MOUNTING INSTRUCTIONS - SPOTLIGHT**

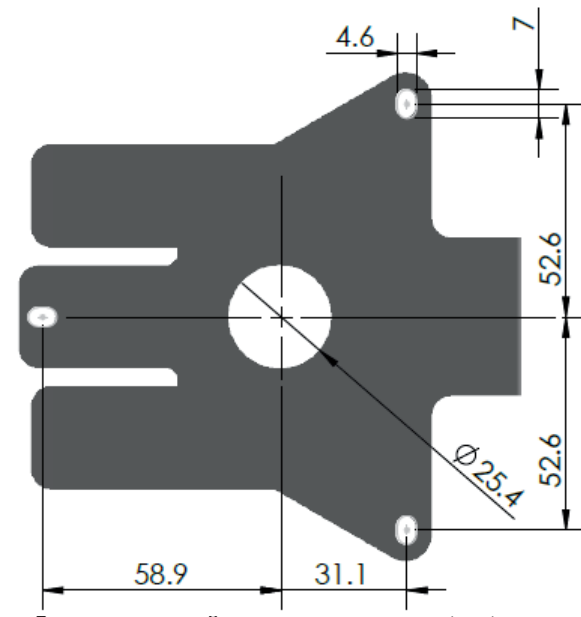
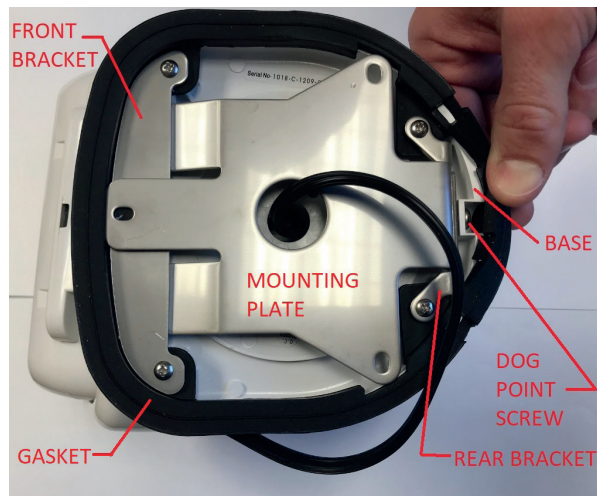
*Portable Mount (Models 30002ST, 30005ST, 30062ST, 30065ST, 30512ST and 30515ST)*

1. Select the best location for mounting the spotlight. Make sure the metal area under the magnetic base is flat and clean to ensure a strong bond.
2. Aluminum vehicles will require a magnetic base adapter kit (P/N 16308). Visit our web store at <http://store.golight.com>

*Permanent Mount (Models 3000ST, 3006ST, 3051ST, 30004ST, 30064ST and 30514ST)*

1. Determine the location for the light on your vehicle. This should be a flat surface. The small arrow on the base indicates the normal forward direction of the light. The light will rotate to the left of this arrow 185 degrees and to the right 185 degrees. The lamp will tilt down 45 degrees and tilt up 90 degrees. The location should take into consideration this range of motion to maximize usability. Keep in mind the swing diameter is 286 mm (11.3 inches) from the center of the mounting plate. This allows for clearance as the light is rotating. Refer to [golight.com/st-swingdiameter](http://golight.com/st-swingdiameter) for diagram.
2. Remove the dog point screw from the mounting plate. Refer to Figure 1. Save this screw for reinstallation. Remove mounting plate from base.
3. The mounting plate is designed to be mounted with either the supplied sheet metal screws or a combination of cap screws, nuts and washers. You should choose hardware appropriate to the surface to which you intend to attach the light. Drill holes in mounting surface for either type of hardware depending upon your preference

Refer to Figure 2 or [golight.com/st-holepattern](http://golight.com/st-holepattern) for hole pattern dimensions or use the mounting plate as a template. Drill holes and secure mounting plate with fasteners.



4. Drill a center hole in mounting surface for passage of power leads. Minimum suggested diameter is 6 mm (1/4 inch).
5. The wire leads under the light need to be connected to a fused 12V DC power source on the vehicle. It is critical that polarity be observed. See amp draw and recommended fuse sizes below. Connect vehicle positive (+) to spotlight positive (+) wire. Connect vehicle chassis ground (-) to spotlight ground (-) wire. Use appropriate wire gauge and fuse for your light and appropriate automotive wiring connectors.

**Electrical requirements are as follows:**

Halogen Models – 3000ST, 3006ST and 3051ST

Max Current Draw: 5.5A @ 13.8V

Recommended Fuse: 7.5A to 10A

LED Models – 30004ST, 30064ST and 30514ST

Max Current Draw: 3.5A @ 13.8V

Recommended Fuse: 5A

6. Use silicone sealant to fill center hole around power cord. **IMPORTANT:** Allow 75 mm (3 inches) of cord to remain under light to ensure full 370 degrees rotation.
7. Ensure gasket is mounted on the base of the spotlight. Silicone or other like sealants should not be used around the mounting gasket as it will limit the ability to drain water properly.
8. Wet the mounting surface with a small amount of water to ease installation.
9. Tipping the front of the light down, first push it forward and then pull backward causing the front bracket to hook into the mounting plate. Refer to Figure 1.
10. Seat the rear bracket and base onto the mounting plate. Peel back the tab at the rear of the mounting gasket to gain access to the screw hole. Install dog point screw through base and rear bracket and tighten into mounting plate.
11. Mechanical installation is now complete.

**BATTERY INSTALLATION – ST WIRELESS REMOTE**

1. Remove the battery compartment cover from the rear of the handheld remote by removing the single rounded head screw. Note that cover is hinged at the top.



**Figure 3 – ST Wireless Remote**

2. Insert the two supplied AAA 1.5V batteries. Note batteries must be installed with proper polarity (+ and -) as shown inside battery compartment. See Figure 3.
3. Reinstall battery cover and screw.

**STRYKER ST WIRELESS REMOTE**

The Stryker® ST wireless remote and the spotlight communicate at 2.4GHz. The Stryker® ST wireless handheld remote, part number 30300 is compatible only with the Stryker ST spotlights. It will not function with Golight® RadioRay®, Golight® GT Series or Stryker® spotlights prior to ST Series.

The ST wireless remote can operate one or two spotlights, either individually or simultaneously. Prior to pairing the remote to the spotlight or spotlights, please familiarize yourself with the features as shown in Figure 4.

- Indicator LED's – When command is given, appropriate LED's will light to indicate whether the remote is controlling spotlight #1, spotlight #2 or both.
- Spotlight Selector – Depress for 5 seconds to toggle between controlling spotlight #1 only, spotlights #1 and #2 and spotlight #2 only
- Home – from any position will rotate light to 0° position
- Lamp On/Off – Turns lamp on and allows directional commands
- Speed selector – Fast and slow
- Directional Controls – Rotates and tilts spotlight



**Figure 4 – Stryker® ST Wireless Handheld Remote Features**