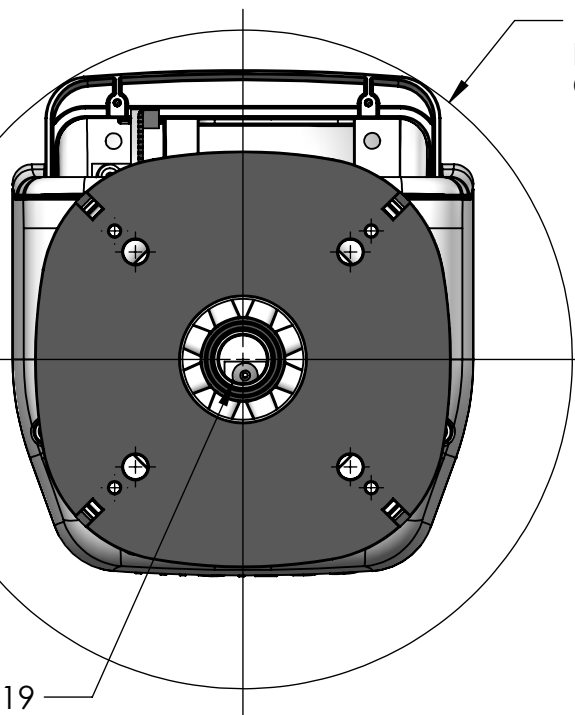
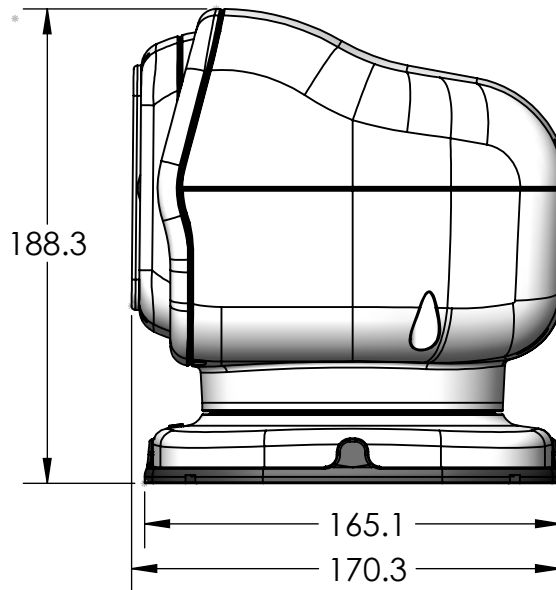
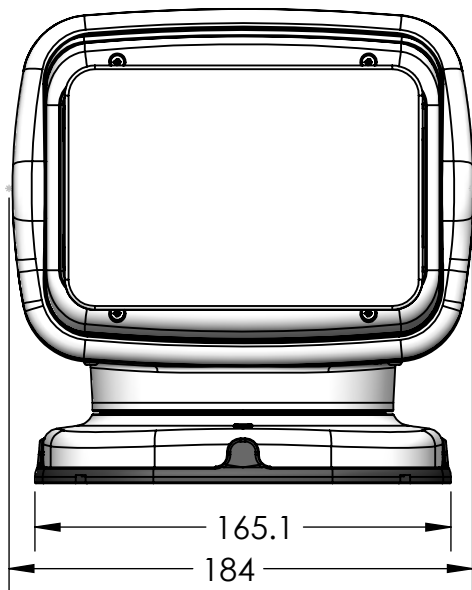


2

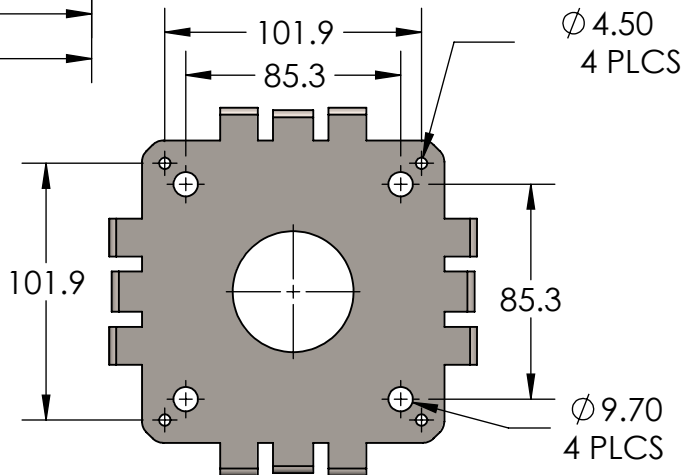
1

B

B



Ø261.4
REQUIRED HORIZONTAL
CLEARANCE - LAMP UP



MOUNTING PLATE DETAIL

A

A



PROPRIETARY AND CONFIDENTIAL
THE INFORMATION CONTAINED IN
THIS DRAWING IS THE SOLE
PROPERTY OF GOLIGHT, INC. ANY
REPRODUCTION IN PART OR AS A
WHOLE WITHOUT THE WRITTEN
PERMISSION OF GOLIGHT, INC IS
PROHIBITED.

DO NOT SCALE DRAWING

GOLIGHT, INC
37146 OLD HWY 17
CULBERTSON, NE 69024
800.557.0098
www.golight.com

UNLESS OTHERWISE SPECIFIED:
DIMENSIONS ARE IN mm
TOLERANCES:
FRACTIONAL ±
ANGULAR: MACH ± BEND ±
TWO PLACE DECIMAL ±
THREE PLACE DECIMAL ±

| | NAME | DATE |
|---------|------------|-----------|
| DRAWN | B R BAIR | 5/22/2019 |
| CHECKED | C D HOSICK | 5/22/2019 |

PART NUMBER:

TITLE:

**OUTSIDE DIMENSIONS -
PERMANENT MOUNT
GOLIGHT GT SERIES**

| SIZE | DWG. NO. | REV |
|----------|--------------|------|
| A | 10056 | NONE |

SCALE: NONE

SHEET 1 OF 1

2

1