

- If you chose to reprogram the wireless handheld remote then change the DIP switch settings (positive, negative or neutral) in the wireless dash remote to match. Checking the +/- designation on the DIP switches is the only way to be certain they are programmed identically. Do not use 'up/down' as a guide.
- Reinstall rubber cover over plastic base. The tab on the cover needs to be located at the bottom.

#### OPERATION OF GOLIGHT® RADIORAY®

- Using the remote, turn on the light by depressing the on/off button.
- With the 4-way arrows on the remote, rotate or tilt your spotlight to the desired position. Depending upon conditions, the wireless remote may be used up to 80 feet from the spotlight.
- The speed of the light rotation or tilt can be controlled by depressing the tortoise/hare button one time and by depressing it again to restore the original speed.

#### BATTERY REPLACEMENT AND DISPOSAL

- See instructions above for battery installation in the handheld and dash mount remotes
- Remove old batteries by gripping the positive end of each battery and lifting.
- Batteries must be installed with proper polarity (positive and negative) as shown inside battery compartment.
- Properly dispose of used batteries at your local recycling center.

#### PROPER USAGE:

This light is intended for off-road and utility use only

This light is intended to be mounted outside the vehicle while in use

This light may only be disassembled and repaired by an authorized representative

#### SAFETY PRECAUTIONS

Your Golight® RadioRay® GT contains a radio transmitter and receiver operating at 433 MHz. Whenever the light is on, the internally mounted antennas send out and receive radio frequency (RF) energy.

Modern electronic equipment, i.e. personal medical devices such as pacemakers, hearing aids, etc., are shielded from RF energy. However, RF energy may affect some electronic equipment.

Vehicle electronic systems may be affected by RF energy. Check with your vehicle manufacturer representative to be sure that your RadioRay® GT will not affect the electronic system of your vehicle.

#### PRODUCT SAFETY WARNINGS

**⚠ WARNING:** You risk death or serious injury to yourself and others if you do not follow the instruction highlighted by the warning symbol. Failure to follow the specific warnings and instructions could result in personal injury, fire or electrical shock.

**⚠ WARNING:** This light is for off-road and utility use only. It is not designed or approved for road use as a driving light.

**⚠ WARNING:** The RadioRay® complies with Part. 15 of the FCC Rules. Operation is subject to the following two conditions: (1) This light and remote may not cause harmful interference, and (2) this light and remote must accept any interference received, including interference that may cause undesired operation.

**⚠ WARNING:** Changes or modifications made by the user not expressly approved by Golight, Inc. for compliance could void the user's authority to operate the equipment.

**⚠ WARNING:** This spotlight is not approved for use inside a vehicle or enclosure and power should be disconnected prior to placing the light in such circumstance.

**⚠ WARNING:** This spotlight is not approved for underwater use

#### PRODUCT MISUSE

This spotlight is not approved for inverted mounting

This spotlight may be damaged if operated in icing conditions

This spotlight may only be disassembled and repaired by an authorized Golight® representative

This spotlight should not be turned on when snap on lens cover (rockguard) is attached.

Any violation of the above referenced misuses or warnings will be considered grounds for warranty refusal

#### PARTS / ACCESSORIES

Golight® RadioRay® parts and accessories may be purchased through Golight, Inc. Visit our web store at: <http://store.golight.com> or contact us at 308.278.3131 or 800.557.0098.

#### THREE YEAR LIMITED WARRANTY

Golight, Inc. warrants the RadioRay® GT against any deemed defects that are due to workmanship for parts or faulty materials, except halogen lamps, for three years from the date of the original purchase. The RadioRay® GT warranty does not cover damage resulting from unreasonable use or misuse, unreasonable maintenance or loss, or labor costs.

Warranty information must be filled out within 30 days of purchase at: <http://golight.com/products/registration.html>, for warranty protection.

If the Golight® RadioRay® GT does fail to operate under warranted specifications, Please call 1-800-577-0098 for a Return Goods Authorization number. After receiving an RGA#, send the light and remote controls postage paid to:

*Golight, Inc.*  
 Attn: RGA# \_\_\_\_\_  
 37146 Old Hwy 17  
 Culbertson, NE 69024-8226.

No C.O.D.'s accepted. Only the above manufacturer is authorized to perform warranty repair or replace product.

Any consequential damages to person or property are excluded from this warranty. Some states do not allow the exclusion and limitation of incidental or consequential damages, therefore the above limitations or exclusions may not apply to you. This warranty gives you specific legal rights and you may also have other rights.

#### END OF USEFUL LIFE

For information regarding the proper disposal/recycling of the spotlight contact Golight at 800.557.0098

**MODEL NUMBERS: 2000GT, 2007GT, 2051GT, 2057GT, 20004GT, 20074GT, 20514GT, 20574GT**

# GOLIGHT®

## Instruction Guide

#### Congratulations

You are now the owner of one of the finest remote control searchlights available today. Thank you for letting Golight® assist you in your lighting application needs. We're proud of our products and the technology that we've developed to ensure our customers the most durable, versatile and powerful searchlights in the lighting industry.

Please read these instructions before using your new Golight® Radioray®.



## Instruction Guide

The Golight® RadioRay® GT Model 2000GT, 2007GT, 2051GT, 2057GT, 20004GT, 20074GT, 20514GT and 20574GT spotlights are designed to be permanently attached to a vehicle and operated by a wireless remote control. Each spotlight has 370° horizontal rotation and 135° vertical tilt.

**The RadioRay® GT Includes:**

- RadioRay® GT Spotlight
- Wireless Handheld Remote with two A23 12V Batteries
- Wireless Dash Remote (Models 2007GT, 2057GT, 20074GT and 20574GT only) with two A23 12V Batteries and four mounting screws
- Stainless Steel Mounting Plate and Black Rubber Mounting Gasket
- Mounting Hardware Package with four rounded head sheet metal screws and four flat head machine screws
- Rockguard (Models 2000GT, 2007GT, 2051GT and 2057GT only)

**MOUNTING INSTRUCTIONS - SPOTLIGHT**

1. Determine the location for the light on your vehicle. This should be a flat surface. The small arrow on the base indicates the normal forward direction of the light. The light will rotate to the left of this arrow 185 degrees and to the right 185 degrees. The lamp will tilt down 45 degrees and tilt up 90 degrees. The location should take into consideration this range of motion to maximize usability. Keep in mind the swing diameter is 261.4 mm (10.3 inches) from the center of the mounting plate – see Figure 1. This allows for clearance as the light is rotating.

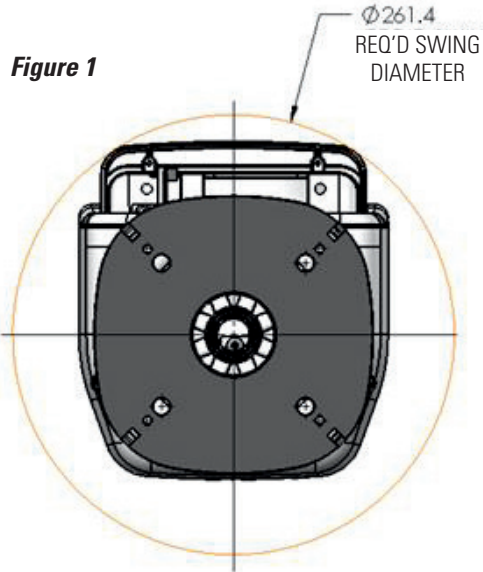


Figure 1- Spotlight - Bottom View Looking Up - Dimensions in mm

2. Mounting bracket is designed to be mounted with either sheet metal screw (outer pattern) or combination of cap screws, nuts and washers (inner pattern). The sheet metal screws are supplied. You should choose hardware appropriate to the surface to which you intend to attach the light. Drill holes in mounting surface for either type of hardware depending upon your preference. Refer to Figure 2 for hole pattern dimensions or use holes in mounting bracket as a guide.

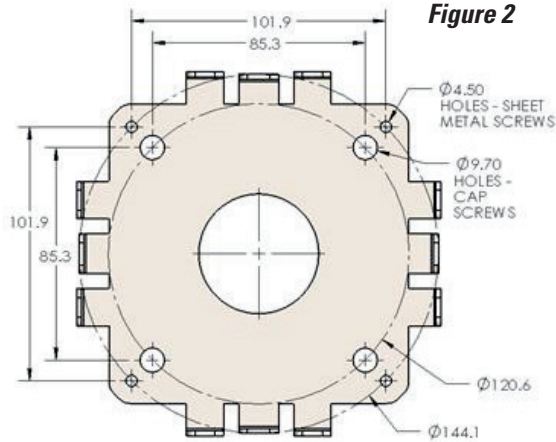


Figure 2 - Steel Mounting Bracket - Dimensions in mm

3. Drill a center hole in mounting surface for passage of power leads. Minimum suggested diameter is 6 mm (1/4 inch).
4. Place the black mounting gasket under the mounting bracket and attach the bracket and gasket to vehicle using preferred hardware. Silicone or other like sealants should not be used around the mounting gasket as it will limit the ability to drain water properly.
5. The wire leads under the light need to be connected to a fused 12V DC power source on the vehicle. It is critical that polarity be observed. Connect vehicle positive (+) to spotlight positive (+) wire. Connect vehicle chassis ground (-) to spotlight ground (-) wire. Use appropriate wire gauge and fuse for your light and appropriate automotive wiring connectors. For best results wire the spotlight to a dedicated power source. As indicated in the reprogramming procedure, removing and reapplying power to the light initiates a frequency code search phase for six seconds. Wiring the light to dedicated power source eliminates unwanted frequency disturbances.
6. Electrical requirements are as follows:

**Halogen Models** – 2000GT, 2007GT, 2051GT and 2057GT  
 Max Current Draw: 5.5A @ 13.8V  
 Recommended Fuse: 7.5A to 10A  
**LED Models** – 20004GT, 20074GT, 20514GT and 20574GT  
 Max Current Draw: 3.5A @ 13.8V  
 Recommended Fuse: 5A

7. Use silicone sealant to fill center hole around power cord. **IMPORTANT:** Allow 75 mm (3 inches) of cord to remain under light to ensure full 370 degrees rotation.
8. Seat spotlight base onto mounting bracket. Use four flathead machine screws (included) to secure spotlight to mounting bracket. Press rubber tabs on mounting gasket into plastic base.
9. Mechanical and electrical installation of the spotlight is now complete.

**BATTERY INSTALLATION – WIRELESS HANDHELD REMOTE**

1. Remove the battery compartment cover from the rear of the handheld remote by removing the single rounded head screw.
2. Insert the two supplied 23A 12V batteries. Note batteries must be installed with proper polarity (+ and -) as shown inside battery compartment. See Figure 3.

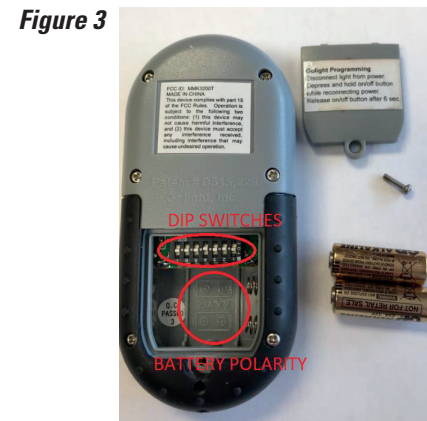


Figure 3 - Wireless Handheld Remote

3. Reinstall battery cover and screw.

**REPROGRAMMING – WIRELESS HANDHELD REMOTE**

The RadioRay handheld remote is pre-programmed to the spotlight using a default setting at the factory. Golight recommends reprogramming the remote to the spotlight to prevent cross-talk with other spotlights in your fleet or in your area.

Reprogramming simply involves changing the DIP switch settings inside the remote and the spotlight will re-learn the new channel. There are 2187 possible channels.

1. Disconnect power to the spotlight.
2. Remove battery cover from the handheld remote.
3. Set the seven DIP switches (See Figure 3) to the selection of your choice using a small flat screwdriver. Note each switch has positive and negative settings with neutral in the middle. Note the orientation of the positive and negative settings may vary between the wireless handheld and wireless dash mount.
4. Replace battery cover.
5. Depress the on/off button and hold it down while reconnecting power to the spotlight.
6. Release the on/off button after 6 seconds.

**BATTERY INSTALLATION AND MOUNTING – WIRELESS DASH REMOTE**

(Models 2007GT, 2057GT, 20074GT and 200574GT ONLY)

1. Remove black rubber cover.
2. Mount the wireless dash remote to smooth flat surface with the four supplied mounting screws. Note the arrow on the plastic base (near LED) must be pointing up see Figure 4.

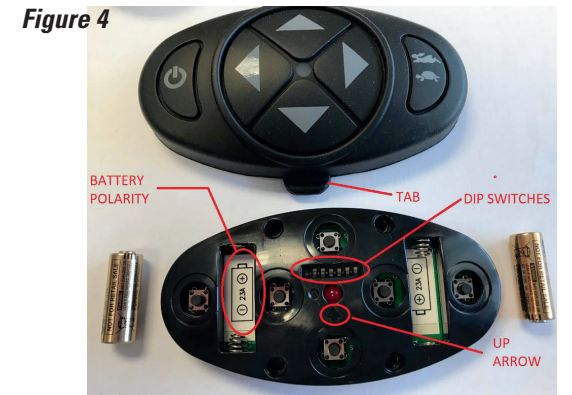


Figure 4 - Wireless Dash Remote

3. Insert the two supplied 23A 12V batteries. Note batteries must be installed with proper polarity (positive and negative) as shown inside battery holders.