



**MODEL 2030
SINGLE HANDLE SIDE
MOUNT CONTROL HEAD
MAXIMUM STROKE 3¼"**

The model 2030 side mount control head is made from corrosion free die cast silicon bronze with stainless steel hardware. This control head is designed for the salt water environment and will provide years of trouble-free service. It is especially intended for such applications as sailboat clutch or throttle control but can also be used on many industrial and marine applications for controlling variable delivery hydraulic pumps, rotary or sliding levers and devices with relatively small mechanical forces. A neutral or mid position adjustable detent or friction is supplied as standard equipment. This control head is designed to permit the cable support bracket to be installed at 90° increments in relation to the control handle.

ORDERING INFORMATION

Model Designation

- K – With chrome finish flange and handle
- L – With satin brass finish flange and handle
- M – With black epoxy finish flange and chrome handle
- N – Long handle with detent and black knob
- O – Long handle with friction and red knob

To order, state model number followed by Model Designation letter codes.

Example: 2030-KN is for a Model 2030 control head with chrome finish and adjustable detent.

NOTE:

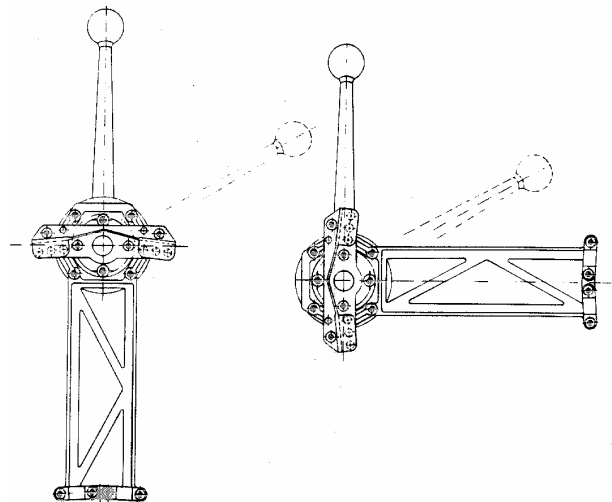
Cable connector kits are ordered separately. One kit is required for each push pull cable end attached to the control head.

Ordering Numbers for Connection Kits:

2030-0901 for 10-32 (30 Series) cable

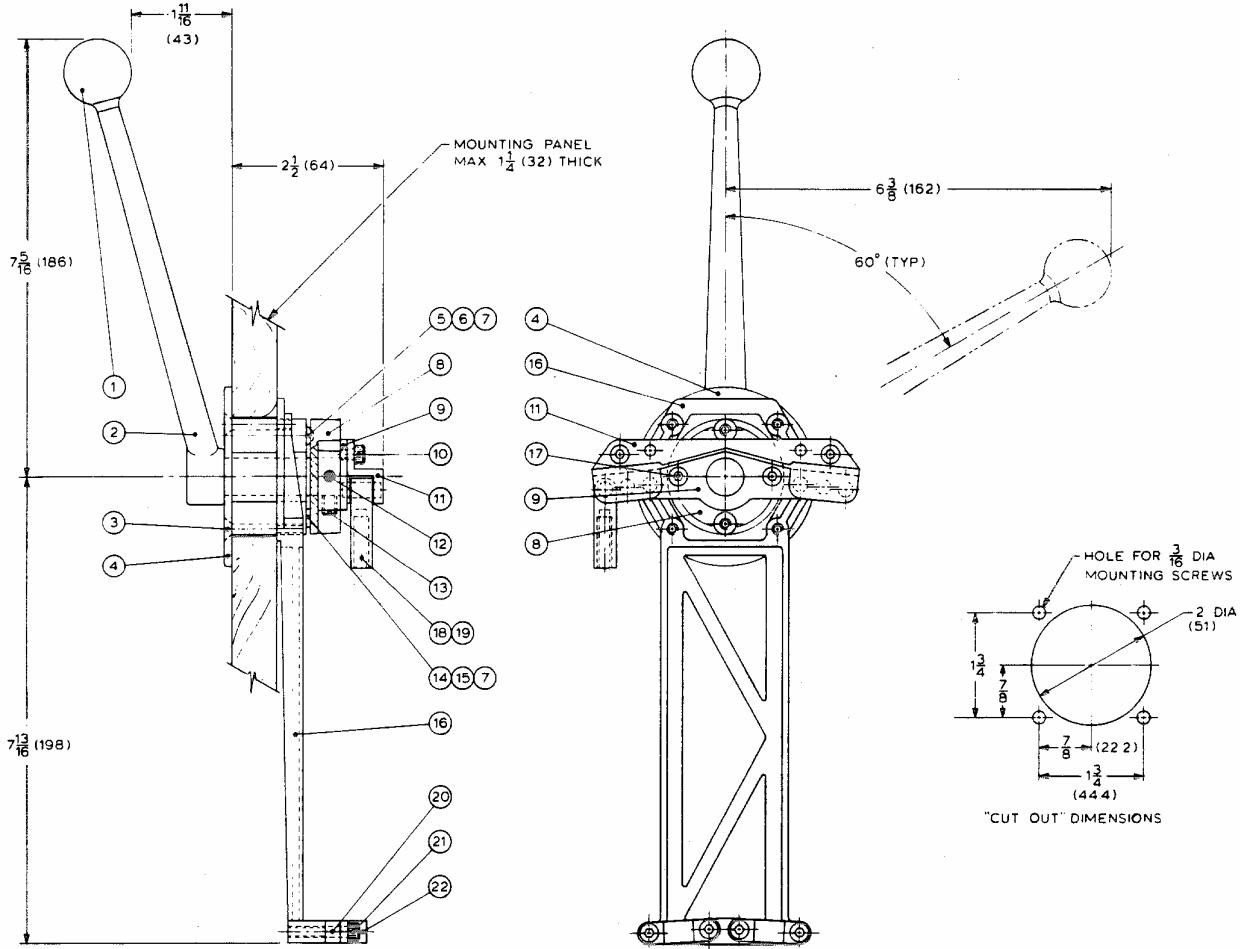
2030-0902 for ¼-28 (40 Series) cable

Weight: 2.4 lbs. (1.1 kg)



The above illustration shows two possible ways of connecting the cable lead to the side mount control.

DIMENSIONS AND PARTS LIST MODEL 2030



Item	Quantity	Part Number	Description
1	1	2030-0001	Knob
2	1	2030-0002	Handle
3	4	1005-0820	Mounting Oval Hd Screw
4	1	2030-0003	Mounting Flange
5	1	2012-0007	Detent Plunger
6	1	1201-0063	Detent Spring
7	2	1016-1205	Set Screw
8	1	2030-0004	Pivot coupling
9	1	2030-0005	Pivot Plate
10	2	1009-0808	Flat Hd Philips Screw
11	1	2030-0006	Pin Retainer
12	1	1024-0816	Spring Pin
13	14	1016-1004	Set Screw
14	1	2545-0021	Friction Plug
15	1	1201-0062	Friction Spring
16	1	2030-0007	Support
17	2	1010-0806	Round Hd Philips Screw
* 18	1	2105-0001	Clevis
* 18	1	2105-0002	Clevis
19	1	2030-0008	Pin
* 20	1	2109-0001	Spacer
* 20	1	2109-0002	Spacer
* 21	4	1004-0812	Cap Screw (short)
* 21	4	1004-0820	Cap Screw (long)
* 22	2	2108-0001	Cable Clamp 30 series
* 22	2	2108-0002	Cable Clamp 40 series

All dimensions in inches (mm)

In order to install control, remove assembly screw item 17 and mounting screws, item 3. Control will now fit into a 2" diameter hole and can be reassembled at 90° increments. The pivot plate, item 9 must be installed at 90° to the cable support, item 16. Make sure all assembly screws are secured firmly.

* Please specify size of cable clamp kit when ordering