



MODEL 2011 HEAVY DUTY 3" STROKE TWO HANDLE PUSH PULL CONTROL HEAD

This control is available with two different handles: standard or handles with plastic grips. An optional clutch and throttle interlock can be ordered with this unit. The purpose of this interlock is to prevent shifting, above engine idle. It is only available for systems having both clutch and throttle on the same control. In two station applications only one interlock is required. For gears with an electric clutch, an adaptor with two micro-switches can be ordered.

FEATURES:

- Corrosion free die cast silicon bronze and stainless steel hardware
- 3 adjustable stroke ranges up to 3 1/8 inches
- Suitable for 30 series and 40 series cables
- LARGE center bearings
 - No lost motion
 - High strength
 - Low wear and long life
- Removable dome for easy head and cable installation
- Independent friction and detent (standard) are adjustable and removable
- Operating quadrants are positively pin-fastened to handle shaft for safety
- Suitable for series or parallel rigging
- Optional safety switch, which prevents starting unless control head is in neutral (centre) position, is available either pre-installed or in kit form
- Self-adhesive labels, instructions and a cutout template are included

ORDERING INFORMATION

- A - One short handle with friction and one long handle with detent
- AA - One short handle with friction and one long handle with friction
- B - Two long handles with detent
- C - Two long handles with friction
- D - Two long handles with one detent and one friction
- E - Two short handles with detent
- F - Two short handles with friction
- G - Two short handles with one detent and one friction
- *H - With one neutral safety switch
- I - Electric clutch adaptor
- *J - With two neutral safety switches
- K - With chrome finish cover and handle
- L - With polished brass finish cover and handle
- M - With black epoxy finish cover and chrome handle
- S - R.H. Model with interlock (gear on right side)
- T - L.H. Model with interlock (gear on left side)
- V - With red or black plastic grips

The standard model 2011 control head is supplied as follows:

- i. One short handle with friction and one long handle with detent
- ii. With chrome finish cover and handles
- iii. Without neutral safety switch

To order, state model number followed by Model Designation letter codes.

Example: A standard model 2011 control head would be
2011-AK

Note:

Cable connector kits are ordered separately. Each push pull cable end attached to the control head requires one kit.

Accessories Ordering Numbers:

- 2011-0901 – (30 series) Connector Kit
- 2011-0902 – (40 series) Connector Kit
- 2011-0903 – Neutral Safety Switch Kit
- 2011-0910 – Electric Clutch Adaptor

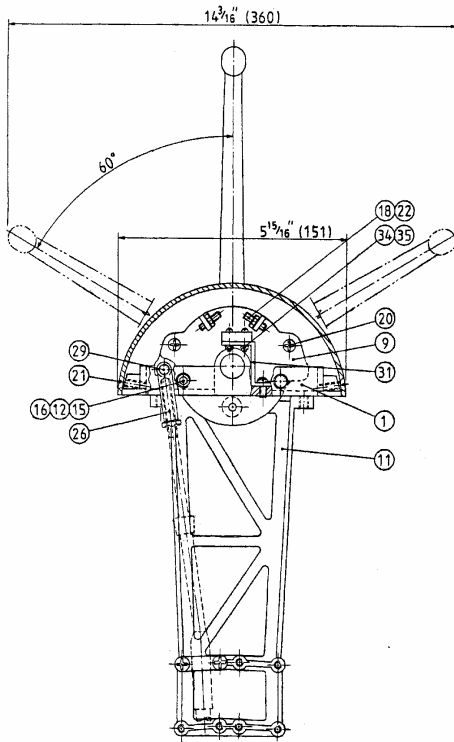
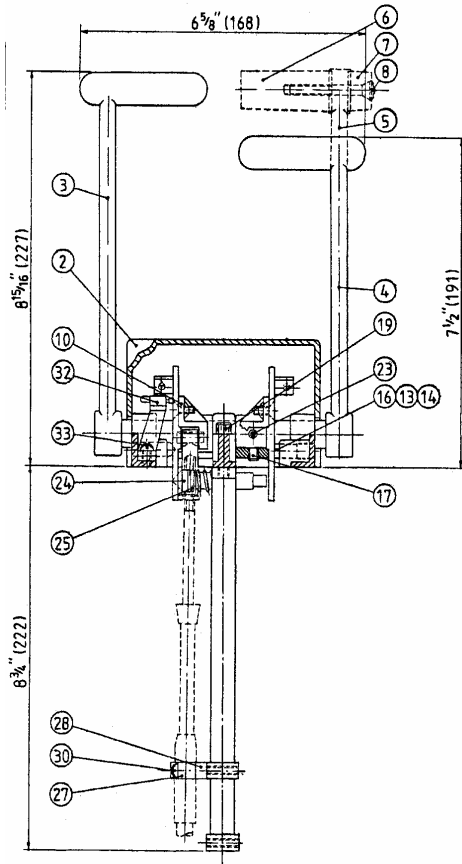
Weight: 7.3 lbs. (3.3 kg)

* Neutral safety switch is normally installed with detented handle.

U.S. Pat. No. 4280371

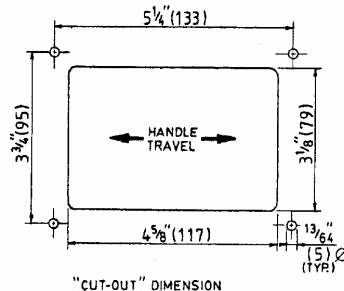
CAN Pat. No. 1158136

MODEL 2011 DIMENSIONS AND PARTS LIST



Item	Qty	Part Number	Description
1	1	2011-0001	Frame
2	1	2011-0002	Dome
3	* 1	2011-0003	Long Handle (standard)
4	* 1	2011-0004	Short Handle (standard)
5	* 1	2011-2003	Long Handle (plastic grip)
5	* 1	2011-2004	Short Handle (plastic grip)
6	* 1	2111-0002B	Plastic Grip (black)
6	* 1	2111-0002R	Plastic Grip (red)
7	* 1	2111-0005B	Grip End (black)
7	* 1	2111-0005R	Grip End (red)
8	* 2	1011-1032	Oval Hd Screw
9	2	2011-0005	Pivot Base
10	2	2011-0006	Pin Retainer
11	1	2011-0008	Support
12	* 1	2012-0007	Detent Pin
13	* 1	2542-0008	Friction Pad
14	* 1	1201-0002	Spring
15	* 1	1201-0003	Spring
16	2	1016-1204	Set Screw
17	2	1016-0804	Set Screw
18	4	1016-0808	Set Screw
19	2	1002-1020	Socket Hd Screw
20	4	1009-0808	Flat Hd Screw
21	2	1005-0808	Oval Hd Screw
22	4	1022-0108	Nut
23	4	1024-0816	Spring Pin
Optional Interlock			
24	1	2011-0022	Interlock Pin
25	1	1201-0005	Spring
2011-0901 (30 series) connection kit			
26	1	2105-0001	Clevis
27	1	2108-0001	Clamp
28	1	2109-0001	Spacer
29	1	1037-0411	Pin
30	2	1010-0810	Round Hd Screw
2011-0902 (40 series) connection kit			
26	1	2105-0002	Clevis
27	1	2108-0002	Clamp
28	1	2109-0001	Spacer
29	1	1037-0411	Pin
30	2	1010-0816	Round Hd Screw
2011-0903 Neutral safety switch set			
31	1	2011-0007	Bracket
32	1	1901-0001	Micro switch
33	1	1010-0804	Round Hd Screw
34	2	1004-0208	Round Hd Screw
35	2	1022-0102	Nut

* Quantity may vary



All Dimensions in inches (mm)