

PRODUCTION NOTES:-

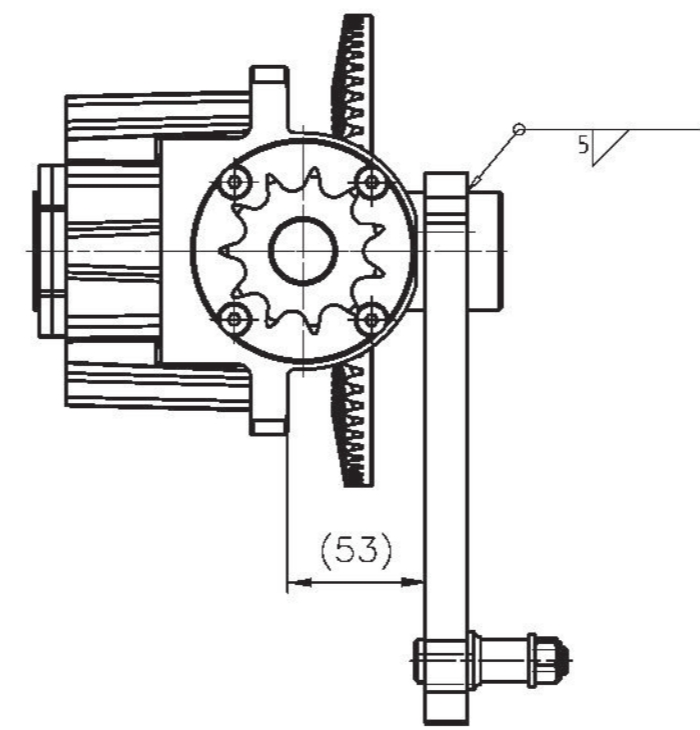
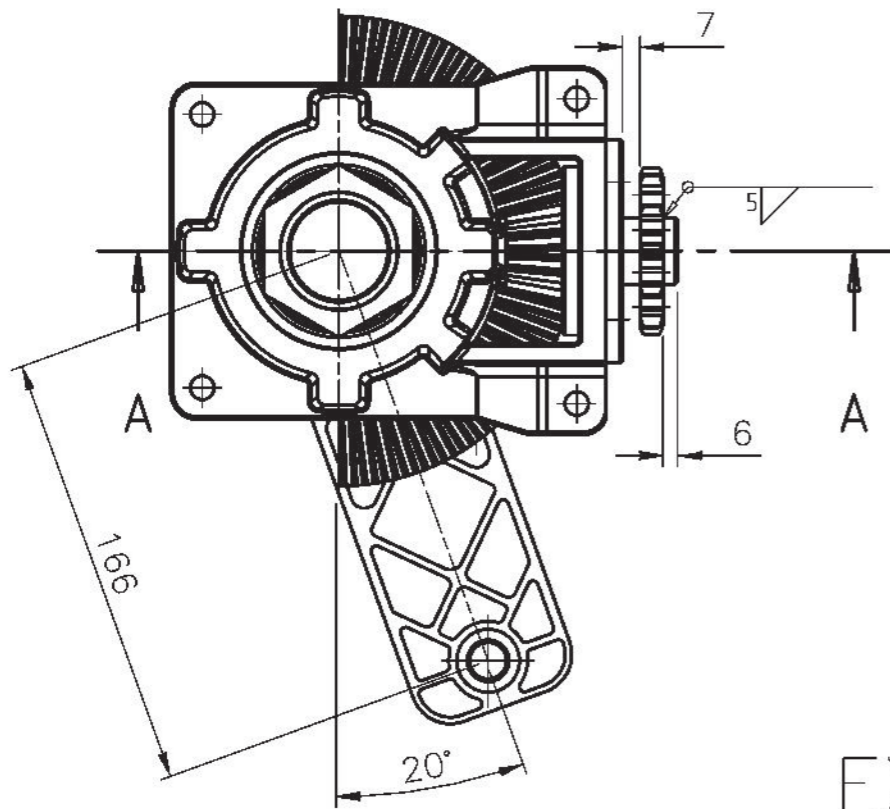
- n1. USE LOCTITE 601 ON SCREWS
- n2. DO NOT TIGHTEN NUT - FINGER TIGHT ONLY
- n3. USE LOCTITE 7471 & 601 ON BEARINGS
- n4. QUANTITIES OF SHIMS MAY VARY DEPENDS ON MESHING OF BEVEL GEARS
- n5. SET UP, DRILL & RETAIN WITH STAKE PINS
- n6. WELD AS SHOWN

COPYRIGHT:-

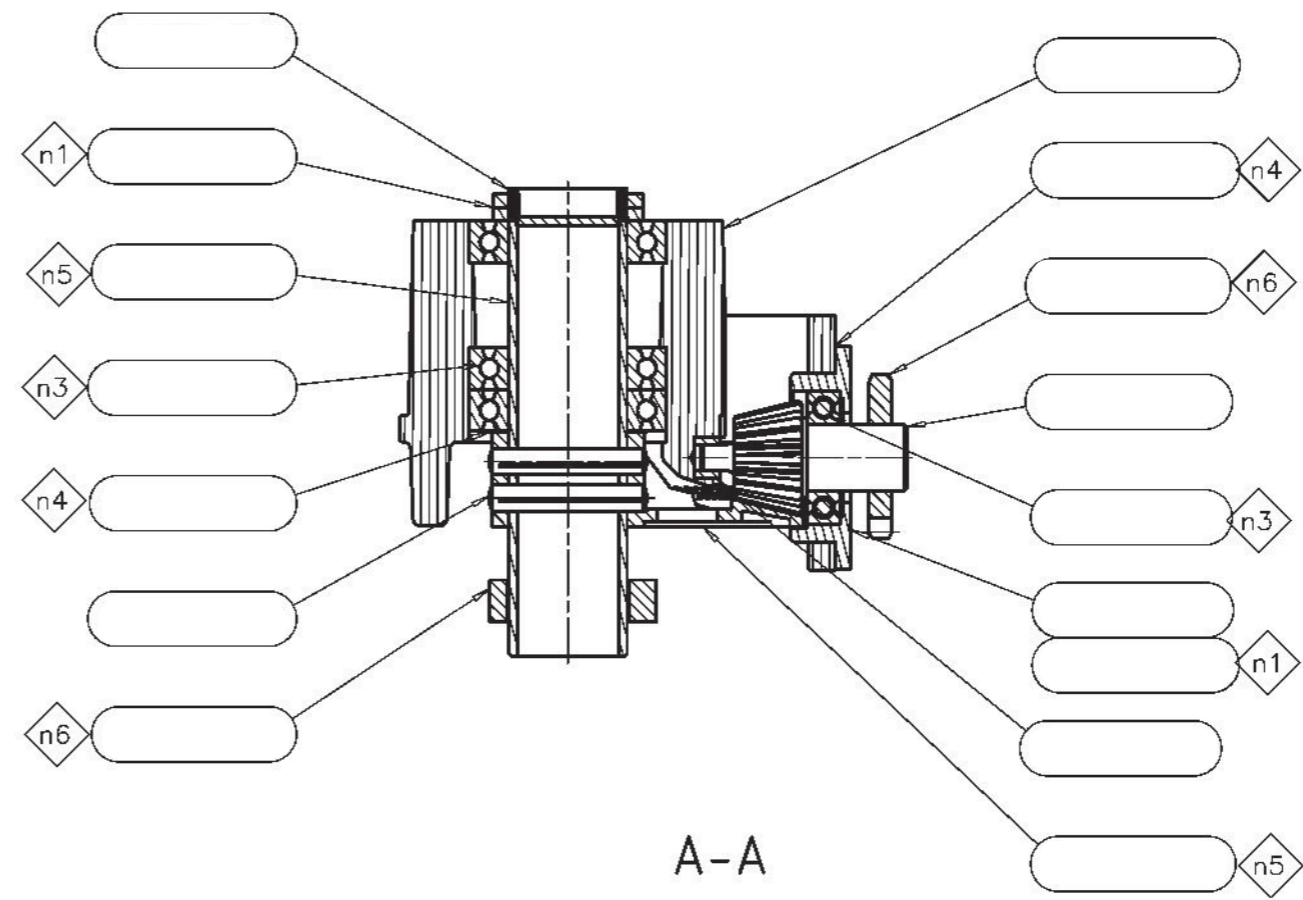
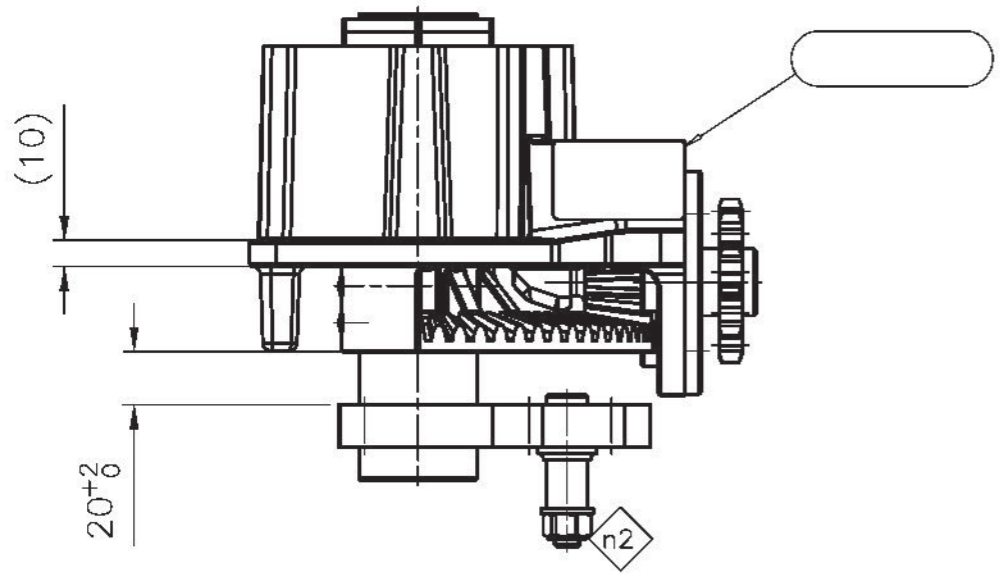
THE DRAWING AND ALL THE INFORMATION PROVIDED ARE PROPERTY OF LEWMAR LTD AND CANNOT BE REPRODUCED, TRANSFERRED OR MODIFIED WITHOUT PERMISSION. COPYRIGHT LEWMAR LTD.

GENERAL NOTES:-

- 1. ALL DIMENSIONS IN BRACKETS () ARE FOR REFERENCE ONLY. ALL DIMENSIONS IN MM UNLESS STATED OTHERWISE
- 2. GENERAL TOLERANCE OF $\pm 0.2\text{mm}$ UNLESS STATED OTHERWISE
- 3. REMOVE ALL BURRS AND SHARP EDGES
- 4. GENERAL TOLERANCE OF $+0.1/-0.0$ FOR DRILL HOLES UNLESS STATED OTHERWISE
- 5. ALL ANGULAR DIMENSIONS TO BE $\pm 0.5^\circ$ UNLESS OTHERWISE SPECIFIED
- 6. M4 BOLTS TO BE TIGHTENED TO $2.5\text{Nm} \pm 0.5\text{Nm}$
- 7. M5 BOLTS TO BE TIGHTENED TO $5.0\text{Nm} \pm 1.0\text{Nm}$
- 8. M6 BOLTS TO BE TIGHTENED TO $9.0\text{Nm} \pm 1.0\text{Nm}$
- 9. M8 BOLTS TO BE TIGHTENED TO $21.0\text{Nm} \pm 2.0\text{Nm}$
- 10. M10 BOLTS TO BE TIGHTENED TO $43.0\text{Nm} \pm 3.0\text{Nm}$



EXPECTED CHANGEOVER WEEK 13 2008



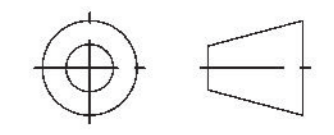
Name	Description	Qty
	SR16 BEARING - 1"x2"x1/2"	1
	45x75x16 BEARING	3
	M6x16 CSK SCREW	4
	LOCTITE ACTIVATOR T 7471	0
	LOCTITE 601 RETAINING COMPOUND	0
	Dia10 x 60mmLG GROVED STAKE PIN	2
	SHAFT CAP (RED)	1
	LABEL METALISED POLY LASER	1
	10x16x10 OILITE BUSH	1
	GREASE WR2 FINA	0
	SHIM TYPE 'A' - 0.005" THK	4
	SPROCKET ANSI50 11T SS	1
	CUSTOM COBRA IP SHIM	2
	COBRA BASE UNIT PINION MKIII	1
	COBRA CRUISING QUADRANT MKIII	1
	CUSTOM COBRA INPUT COVER MKII	1
	CUSTOM COBRA HOUSING MKIII	1
	BASE UNIT DOWN SHAFT MKIII	1
	COBRA DOWN TUBE LOCK NUT	2
	OUTPUT LEVER 166mm CRS AHFT10	1

DATE CHANGED	ISS	CHANGE DESC.	BY
13/12/06	A	ECR#1579	YL
20/06/07	-	PROPOSAL	YL
27/11/07	B	ECR#1893	YL
30/11/07	C	ECR#1814	AS

MATERIAL:-

SEE PARTS LIST

PROJECTION:-



SCALE:-	1:3 @ A3
DRAWN:-	YAT L
DATE:-	13/12/2006
SHEET:-	1
CHECK'D:-	

TITLE:-
COBRA BASE UNIT
BAVARIA MKIII

LEWMAR
LEWMAR STEERING DIVISION
UNIT 1, BLOCK B, PORTENWAY, LAPORTE WAY,
LUTON, BEDFORDSHIRE, UK. LU4 8EF
TEL: +44(0) 1582 404400 FAX: +44(0) 1582 400331
EMAIL: DESIGN@WHITLOCKSTEERING.COM

DWG NO:-	REV
89000289	C