

**JABSCO 1½" BRONZE
UTILITY PUMP**
for

**BLACK WASTE
PUMP OUT**

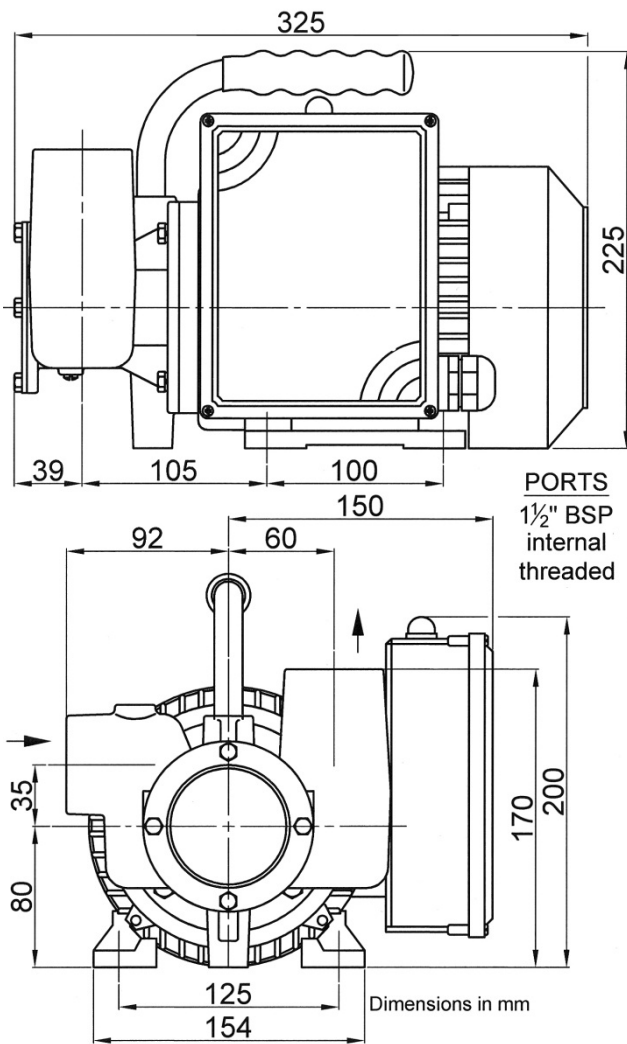


110v, 230v (1ph) and 400v (3ph) a.c. OR 24 volt d.c.

- rapid self-priming up to 2.5m from dry
- body design protects against dry running damage

1½" UTILITY PUMP *for* BLACK WASTE PUMP-OUT

Adapted to handle toilet waste solids - internal parts differ from standard JABSCO Utility Pump.



Approximate dimensions in mm
(Dimensions will vary according to motor type)

WARNING
Explosive hazard. Do not pump gasoline, solvents, thinners or other flammable liquids. To do so can cause an explosion resulting in injury or death

Pump specification and performance details are subject to alteration without notice. Performance figures are representative only, derived from manufacturer's tests with clean water.

PUMP SPECIFICATIONS

| Model no. | Electric motor | | | | |
|-----------------------|----------------|------|------|-------------------|-----------------|
| | Volts | kW | rpm | Full load current | Motor enclosure |
| CW351 | 24v d.c. | 0.6 | 2000 | 32 amp | IP54 |
| 53081-2061-230 | 230v a.c. | 0.55 | 1390 | 4.2 amp | IP55 |
| 53081-2061-110 | 110v a.c. | 0.55 | 1400 | 8.4 amp | IP55 |
| 53081-2061-400 | 400v 3ph a.c. | 0.55 | 1410 | 2.8 amp | IP55 |

- * All single phase motors fitted with thermal overload cut-out (manual reset)
- * Dry running protection up to 30 minutes
- * Carbon-ceramic mechanical shaft seal, replaceable wear plate.
- * Weight: 110 & 230v a.c. - 17kg
24v d.c. - 21kg
400v 3 phase - 18kg

PUMP PERFORMANCE

