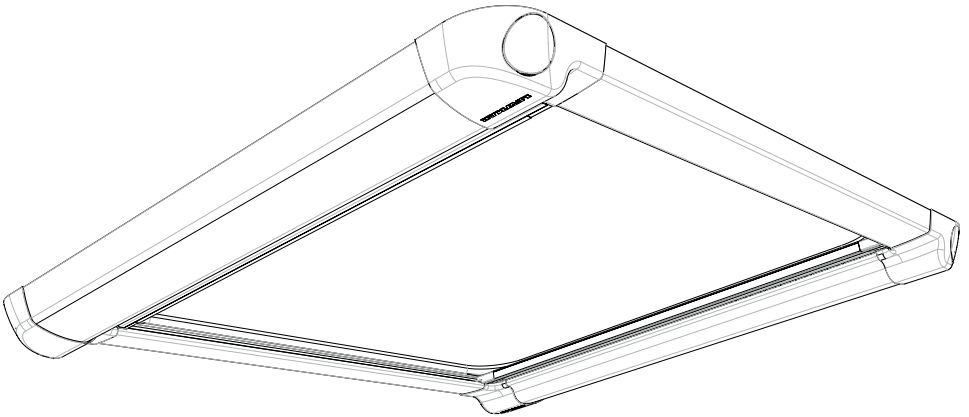


Eclipse Surface Roller Shade Installation Instructions



1. Introduction

Dear Customer,

Thank you for choosing Lewmar. Lewmar products are world renowned for their quality, technical innovation and proven performance. With a Lewmar product you will be provided with many years of outstanding service.

Product support

Lewmar products are supported by a worldwide network of distributors and Authorised Service Representatives. If you encounter any difficulties with this product, please contact your national distributor, or your local Lewmar dealer. Details are available at: www.lewmar.com

CE Approvals

For CE approval certificates contact Lewmar.

Important information about this manual

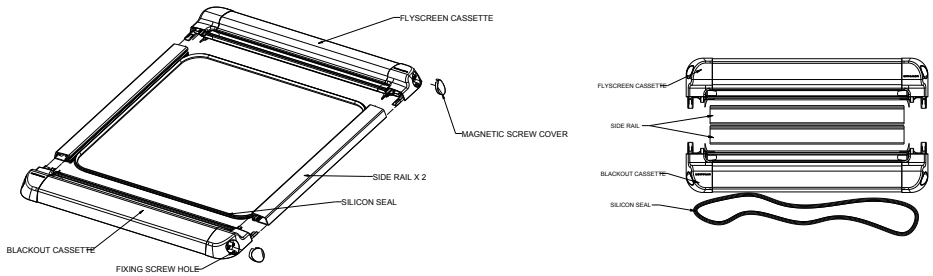
Throughout this manual, you will see safety and product damage warnings. You must follow these warnings carefully to avoid possible injury or damage.

The type of warnings, what they look like, and how they are used in this manual are explained as follows:

2. Installation Instructions

Included in the box. (Fig 1)

1. (1) Flyscreen Cassette
2. (1) Blackout Cassette
3. (2) Side Rails
4. (4) Magnetic Screw Covers
5. (1) Silicon Seal
6. (1) Instruction sheet

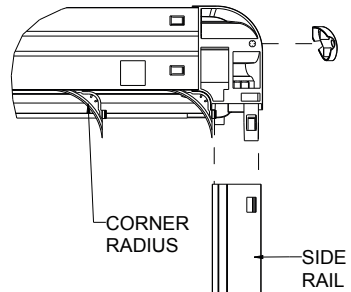


Optional Extras (Trim Kit)

1. (1) Flexible PVC Trim
2. (1) Trim Joiner

Tools Required

1. Drill (Electric Preferred)
2. Phillips head screw driver/drill bit
3. Downloadable Drilling Guide
4. Pen
5. Scissors (If shortening Trim Kit required)
6. 4 x No.6 Pan head screws
(Length dependent on fixing surface)



2. Installation Instructions

To Assemble

1. Place all parts on a flat surface arranged like in figure 3. Ensure internal corner radius mouldings are slid to the end of cassette rail
2. Slide each side rail onto blackout cassette, keeping a close watch that the 2 tabs and the corner radius slide smoothly into the side rail. A click will be heard when the tabs have engaged.
3. Repeat on opposite side for flyscreen cassette.
4. Take silicon seal, and push into seal groove around all internal edges (fig 5 & 6). Ensure trim is the correct way round with larger section on the underside of blind (fig 4).



3. To Install

For Best Results

- Ensure unit is fitted to a flat surface.
 - Make sure unit is mounted square and not twisted.
1. Peel off backing on double sided tape on back of end cassettes.
 2. Position the cassette over the vent opening to ensure full fabric coverage of the opening and that opening lines up with hatch.
 3. Drill pilot hole through the 4 corner mounting holes.
 4. Insert and secure unit using 4 screws. No.6 panhead screws are recommended.
 5. Replace magnetic corner screw covers. Cover 35003241 fits on adjustment corner. (Part no. on inside)

To Install (Trim Kit).

1. Complete steps 1-3 of Assembly.
2. Measure distance between seal groove of Roller shade, and hatch frame.
3. Cut down flexible PVC trim to required size using scissors.
4. Push flexible PVC trim into seal groove on Roller Shade
5. Push ends of flexible PVC trim into trim joiner to create continuous circle.
6. When placing Roller shade into cutout, slide the flexible PVC trim behind the frame to create a flush finish.

Adjusting Material/spring tension

All roller shades are tensioned correctly and tested before shipping, but should tension be lost for any reason, follow the instructions below to adjust.

1. Remove screw cover by inserting a small flat head screwdriver into the slot at top of cover and popping off. Cover is held in place with magnets.
2. Insert flat head screw driver into end of tensioner. Unclip tensioner by releasing the snap fit via hole on underside of blind (fig 7). Take care as tensioner is under spring load. If blind is already fitted, use a pair of pliers to prise tensioner out.



3. Keeping hold of screwdriver, allow tensioner to retract from corner moulding .
4. Turn clockwise to decrease tension and anti-clockwise to increase tension (fig 8).
5. Push tensioner back into corner moulding to secure.
6. Test tension by pulling material out approx. 100mm. Material should smoothly return into cassette without snapping back.

Notes:

10 - Warranty

Limited Warranty and Key Terms of Supply by Lewmar

Lewmar warrants that in normal private pleasure boat usage and with proper maintenance its products will conform with their specification for a period of three years from the date of purchase by the end user, subject to the conditions, limitations and exceptions listed below. Any product, which proves to be defective in normal usage during that three-year period, will be repaired or, at Lewmar's option, replaced by Lewmar.

A CONDITIONS AND LIMITATIONS

- i Lewmar's liability shall be limited to the repair or replacement of any parts of the product which are defective in materials or workmanship.
- ii Responsibility for the selection of products appropriate for the use intended by the Buyer shall rest solely with the Buyer and Lewmar accepts no responsibility for any such selection.
- iii Lewmar shall not be liable in any way for Product failure, or any resulting loss or damage that arises from:
 - a. Use of a product in an application for which it was not designed or intended;
 - b. Corrosion, ultra violet degradation or wear and tear;
 - c. A failure to service or maintain the product in accordance with Lewmar's recommendations;
 - d. Faulty or deficient installation of the product (unless conducted by Lewmar);
 - e. Any modification or alteration of the product;
 - f. Conditions that exceed the product's performance specifications or safe working loads.
 - g. Abuse
- iv Product subject to a warranty claim must be returned to the Lewmar outlet that supplied the product for examination unless otherwise approved by Lewmar in writing.
- v This warranty does not cover any incidental costs incurred for the investigation, removal, carriage, transport or installation of product.
- vi Service by anyone other than authorized Lewmar representatives shall void this warranty unless it accords with Lewmar guidelines and standards of workmanship.
- vii Lewmar's products are intended for use only in the marine environment. Buyers intending to use them for any other purpose should seek independent professional advice as to their suitability. Lewmar accepts no liability arising from such other use.

B EXCEPTIONS

Cover under this Warranty is limited to a period of one year from the date of purchase by the end user in the case of any of the following products or parts of products:

- Electric motors and associated electrical equipment
- Electronic controls
- Hydraulic pumps, valves and actuators
- Hatch & Portlight weather seals
- Products used in "Grand Prix" racing applications
- Products used in commercial or charter applications
- Anchor rodes

C LIABILITY

- i Lewmar's liability under this warranty shall be to the exclusion of all other warranties or liabilities (to the

extent permitted by law). In particular (but without limitation):

- a. Lewmar shall not be liable for:
 - Any loss of anticipated turnover or profit or indirect, consequential or economic loss;
 - Damages, costs or expenses payable to any third party;
 - Any damage to yachts or equipment;
 - Death or personal injury (unless caused by Lewmar's negligence).
- Some states and countries do not allow the exclusion or limitation of incidental or consequential damages, so the above limitation or exclusion may not apply to you
- b. Lewmar grants no other warranties regarding the fitness for purpose, use, nature or satisfactory quality of the products.
- ii Where applicable law does not permit a statutory or implied warranty to be excluded, then such warranty, if permitted by that state or country's law, shall be limited to a period of one year from the date of purchase by the end user. Some states and countries do not allow limitations on how long an implied warranty lasts, so this limitation may not apply to you.

D PROCEDURE

Notice of a claim for service under this warranty shall be made promptly and in writing by the end user to the Lewmar outlet that supplied the product or to Lewmar Limited at Southmoor Lane, Havant, Hampshire PO9 1JJ, England.

E SEVERANCE CLAUSE

If any clause of this warranty is held by any court or other competent authority to be invalid or unenforceable in whole or in part, the validity of the remaining clauses of this warranty and the remainder of the clause in question shall not be affected.

F OTHER RIGHTS

This warranty gives you specific legal rights, and you may also have other legal rights, which vary from state to state and country to country. In the case of European States a Consumer customer (as defined nationally) has legal rights under the applicable national law governing the sale of Consumer Goods; this Warranty does not affect those rights.

G LAW

This warranty shall be governed by and read in accordance with the laws of England or the state or country in which the first end user is domiciled at the time of purchase of the product.

H DISPUTES

Any dispute arising under this warranty may, at the option of the end-user, be referred to alternative dispute resolution under the rules of the British Marine Federation or to the Courts of the State whose law shall govern the warranty or to the Courts of England and Wales.

The British Marine Federation may be contacted at Marine House, Thorpe Lea Road, Egham, England, TW20 8BF

UK & International Distribution

Lewmar
Southmoor Lane
Havant
Hampshire
PO9 1JJ
England

Tel: +44 (0)23 9247 1841

Fax: +44 (0)23 9248 5720

Email: info@lewmar.com

USA

Lewmar
351 New Whitfield Street
Guilford, CT
06437
USA

Tel: +1 203 458 6200

Fax: +1 203 453 5669

Email: info@lewmarusa.com

LEWMAR®

www.lewmar.com

Eclipse Surface Roller Shade Installation Instructions -
367799100 iss.1