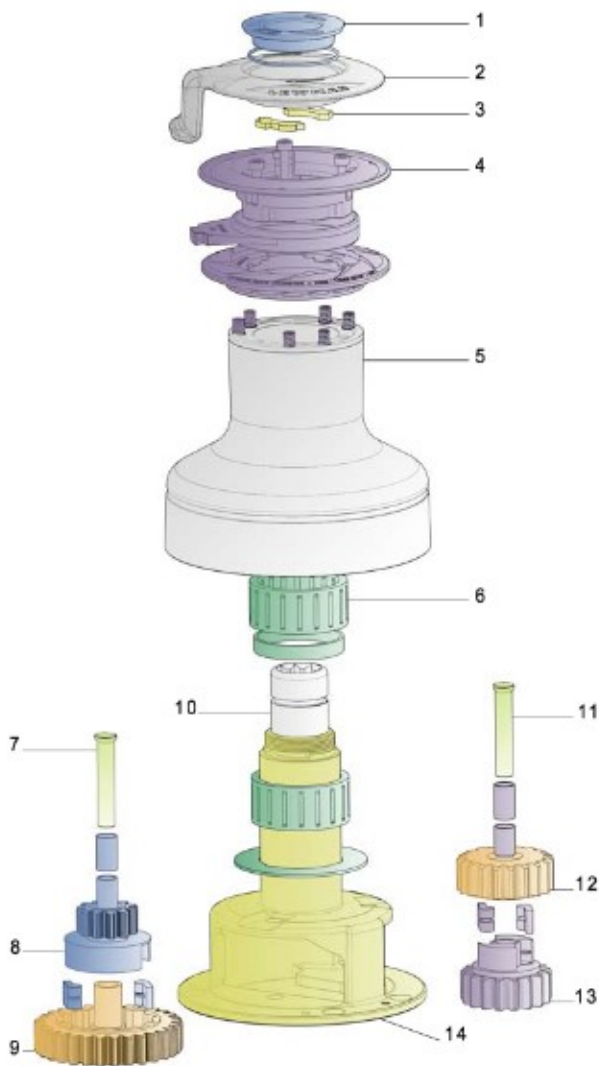


EVO® Winch Size 30ST Spares

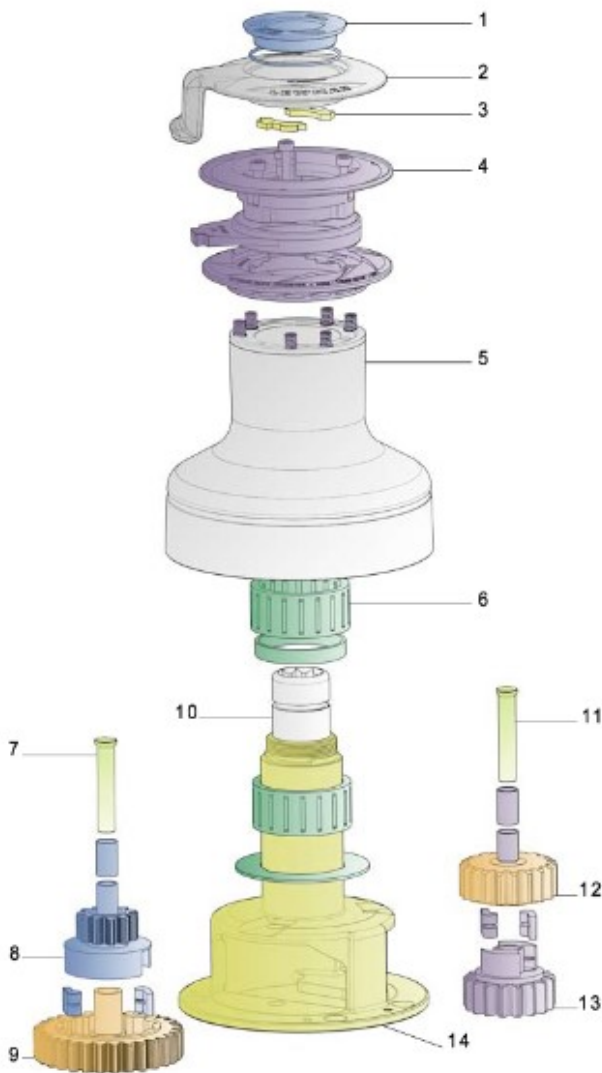


Product Description

Spare kits for the EVO® size 30 self tailing winch

Item #	Description	Qty	Part Number
1	Top Cap & O Ring Kit	1	48500030
2	Feeder Arm	1	45500105
3	Collet Kit	1	48000446
4	Jaw kit	1	48500031
	Drum - Black Alloy Finish		45500110
5	Drum - Grey Alloy Finish	1	45500102
	Drum - Chrome Finish		45500103
6	Drum Bearing Kit	1	48000455
7-11	Gear Spindle	2	45000123
8	Pawl Gear 1 kit 11T	1	48000464
9	Ratchet Gear	1	45000120
	Pawl & Pawl Spring	4	48000019
	(Part of either Spares Kits)		19700501
10	Main Spindle	1	45500104
12	Ratchet Gear	1	45000122
13	Pawl Gear 2 kit 17T	1	48000465
14	Centre Stem	1	45500101
15	Stripper Ring (Pair)	1	45500108P

EVO® Winch Size 40ST Spares

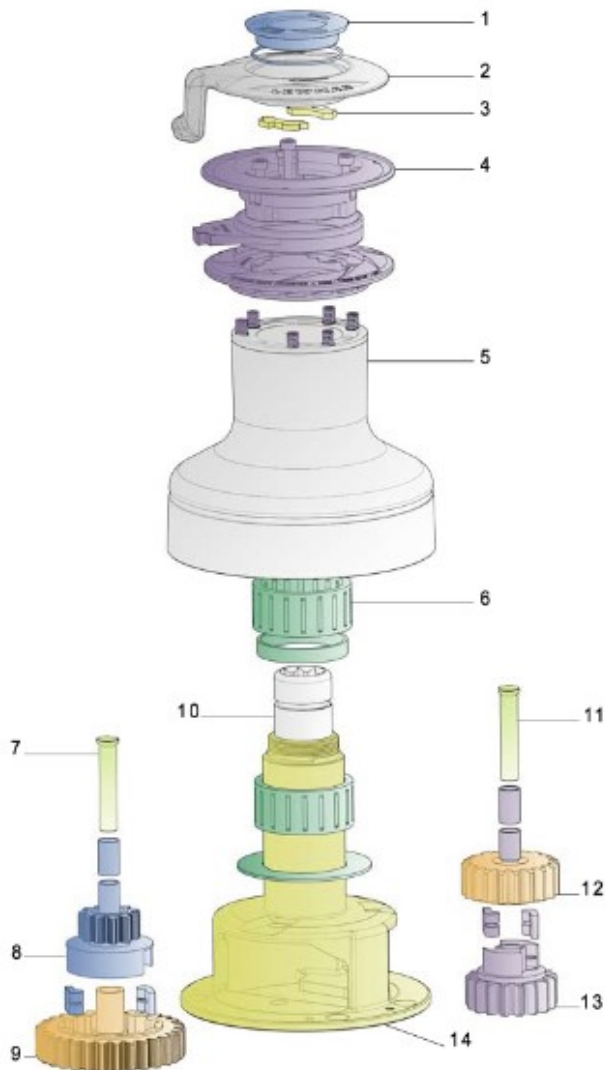


Product Description

Spare kits for the EVO® size 40 self tailing winch

Item #	Description	Qty	Part Number
1	Top Cap & O Ring Kit	1	48500040
2	Feeder Arm	1	45500105
3	Collet Kit	1	48000446
4	Jaw kit	1	48500031
5	Drum - Black Alloy Finish		45500210
	Drum - Grey Alloy Finish	1	45500202
	Drum - Chrome Finish		45500203
6	Drum Bearing Kit	1	48000456
7-11	Gear Spindle	2	45000123
8	Pawl Gear 1 kit 11T	1	48000464
9	Ratchet Gear	1	45000220
	Pawl & Pawl Spring	4	48000019
	(Part of either Spares Kits)		19700501
10	Main Spindle	1	45500204
12	Ratchet Gear	1	45000222
13	Pawl Gear 2 kit 17T	1	48000467
14	Centre Stem	1	45500201
15	Stripper Ring (Pair)	1	45500108P

EVO® Winch Size 45ST Spares

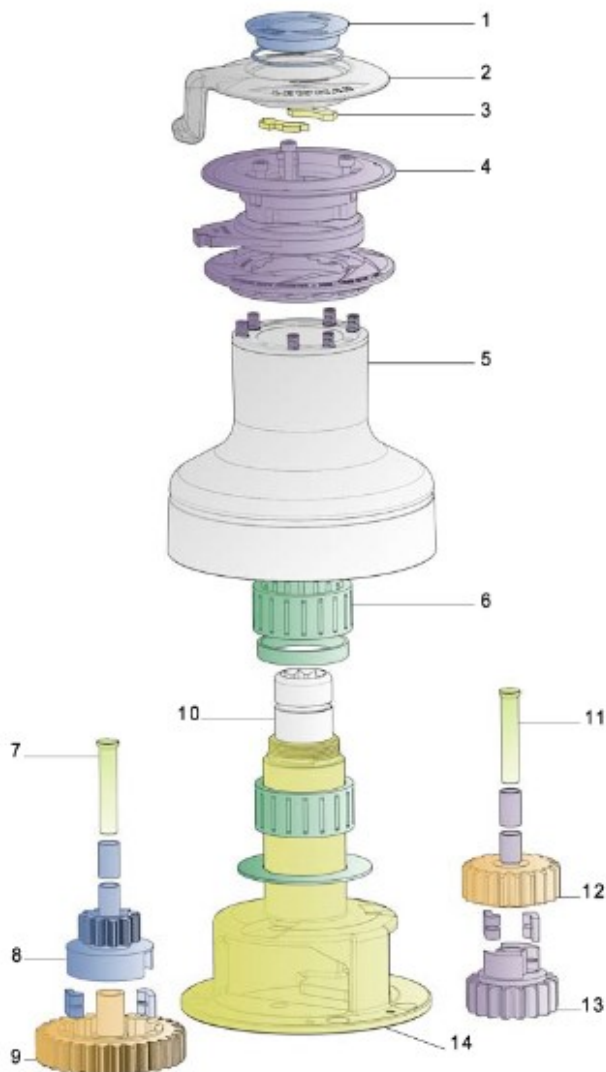


Product Description

Spare kits for the EVO® size 45 self tailing winch

Item #	Description	Qty	Part Number
1	Top Cap & O Ring Kit	1	48500045
2	Feeder Arm	1	45500305
3	Collet Kit	1	48000446
4	Jaw kit	1	48500046
5	Drum - Black Alloy Finish		45500310
	Drum - Grey Alloy Finish	1	45500302
	Drum - Chrome Finish		45500303
6	Drum Bearing Kit	1	48000457
7	Gear Spindle	1	45000323
8	Pawl Gear 1 kit	1	48000469
9	Ratchet Gear	1	45000320
	Pawl & Pawl Spring (Part of either Spares Kits)	4	48000019 19700501
10	Main Spindle	1	45500304
11	Gear Spindle	1	45000324
12	Ratchet Gear	1	45000322
13	Pawl Gear 2 kit	1	48000468
14	Centre Stem	1	45500301
15	Stripper Ring (Pair)	1	45500308P

EVO® Winch Size 50ST Spares

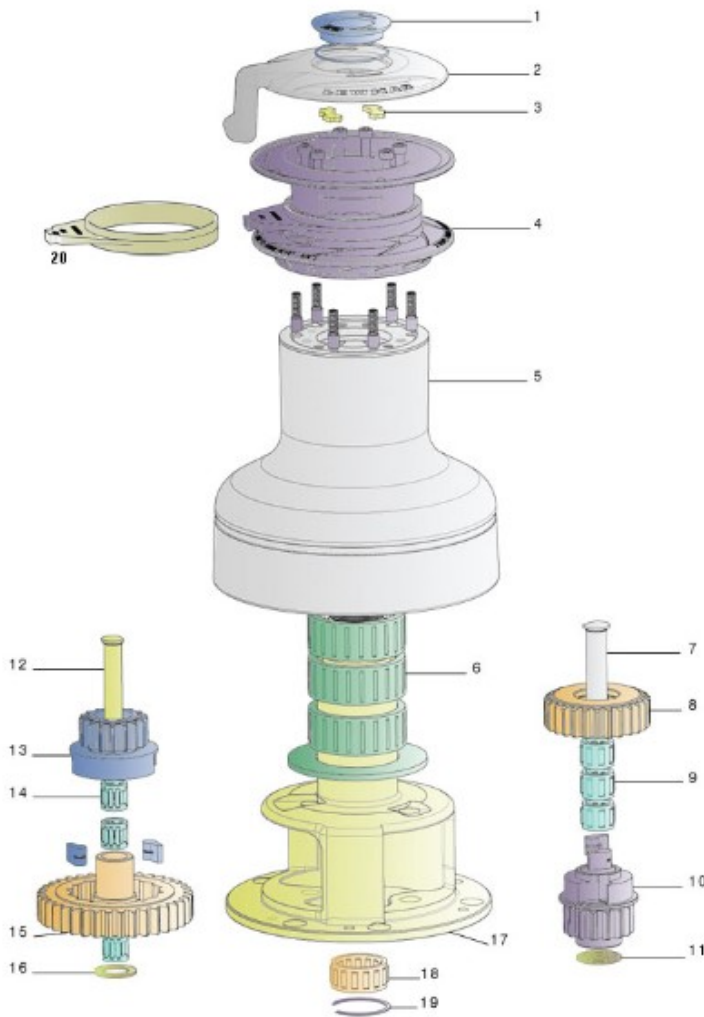


Product Description

Spare kits for the EVO® size 50 self tailing winch

Item #	Description	Qty	Part Number
1	Top Cap & O Ring Kit	1	48500050
2	Feeder Arm	1	45500405
3	Collet Kit	1	48000446
4	Jaw kit	1	48500051
5	Drum - Black Alloy Finish		45500410
	Drum - Grey Alloy Finish	1	45500402
	Drum - Chrome Finish		45500403
6	Drum Bearing Kit	1	48000458
7	Gear Spindle	1	45000423
8	Pawl Gear 1 kit	1	48000470
9	Ratchet Gear	1	45000420
	Pawl & Pawl Spring	4	48000019
	(Part of either Spares Kits)		19700501
10	Main Spindle	1	45500404
11	Gear Spindle	1	45000424
12	Ratchet Gear	1	45000422
13	Pawl Gear 2 kit	1	48000468
14	Centre Stem	1	45500401
15	Stripper Ring (Pair)	1	45500408P

EVO® Winch Size 55ST Spares

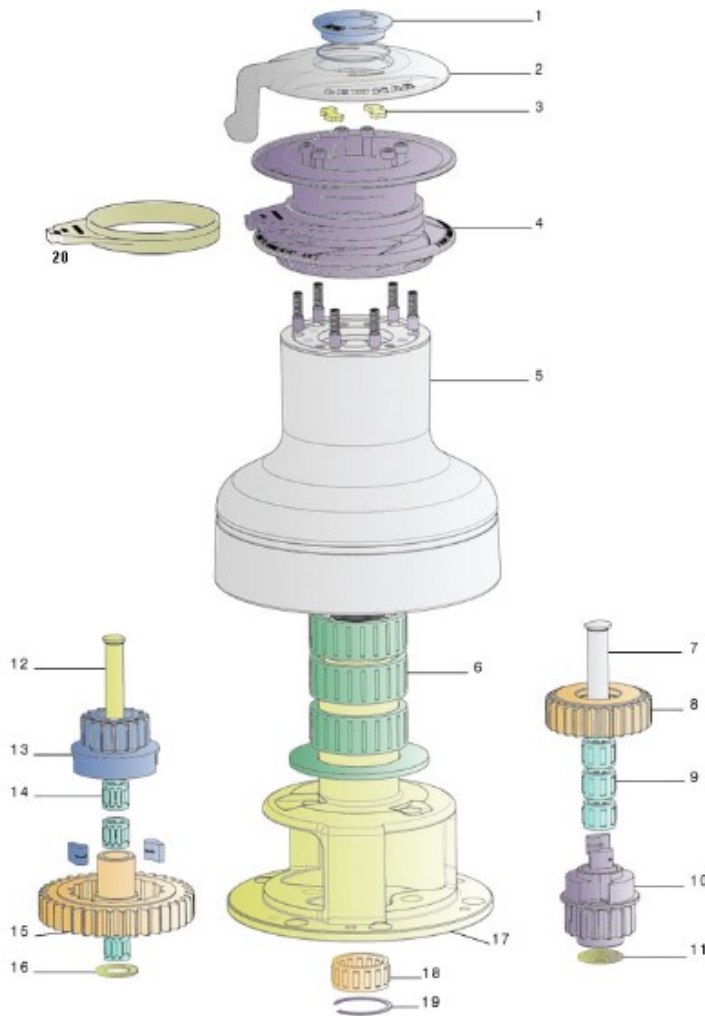


Product Description

Spare kits for the EVO® size 55 self tailing winch

Item #	Description	Qty	Part Number
1	Top Cap & O Ring Kit	1	48500055
2	Feeder Arm	1	45500505
3	Collet Kit	1	48000446
4	Jaw kit	1	48500056
5	Drum - Black Alloy Finish		45500510
	Drum - Grey Alloy Finish	1	45500502
	Drum - Chrome Finish		45500503
6	Drum Bearing Kit	1	48000460
	Main Spindle (not shown)	1	45500504
7	Gear Spindle	1	45000624
8	Ratchet Gear	1	45000522
9	Roller Bearing Assembly	3	15000017
	Pawl & Pawl Spring	4	48000019
	(Part of either Spares Kits)		19700401
10	Pawl Gear 2 kit	1	48000473
11	Flanged Washer	1	15000646
12	Gear Spindle	1	45000523
13	Pawl Gear 1 Kit	1	48000472
14	Roller Bearing Assembly	3	1300/SA2
15	Ratchet Gear	1	45000520
16	Washer	1	15000981
17	Centre Stem	1	45500501
18	Roller Bearing Assembly	1	15000019
19	Circlip (part of kit)	1	19700200
20	Stripper Ring (Pair)	1	45500508P

EVO® Winch Size 65ST Spares



Product Description

Spare kits for the EVO® size 65 self tailing winch

Item #	Description	Qty	Part Number
1	Top Cap & O Ring Kit	1	48500065
2	Feeder Arm	1	45500605
3	Collet Kit	1	48000446
4	Jaw kit	1	48500066
5	Drum - Black Alloy Finish		45500610
5	Drum - Grey Alloy Finish	1	45500602
5	Drum - Chrome Finish		45500603
6	Drum Bearing Kit	1	48000462
	Main Spindle (not shown)	1	45500604
7-12	Gear Spindle	2	45000624
8	Ratchet Gear	1	45000722
9-14	Roller Bearing Assembly	6	15000017
	Pawl & Pawl Spring	4	48000019
	(Part of either Spares Kits)		19700401
10	Pawl Gear 2 kit	1	48000476
11-16	Flanged Washer	2	15000646
13	Pawl Gear 1 Kit	1	48000475
15	Ratchet Gear	1	45000851
17	Centre Stem	1	45500601
18	Roller Bearing Assembly	1	15000019
19	Circlip (part of kit)	1	19700200
20	Stripper Ring (Pair)	1	45500608P