



Installation Instructions

DUAL STATION EXCHANGER, THROTTLE UNIT

Part no.
207594

READ THESE INSTRUCTIONS BEFORE COMMENCING THE INSTALLATION.

This all mechanical unit combines the actions from dual stations to single output to the throttle.

CABLE CONNECTION

When used with Single Lever Controls to operate THROTTLE, mount the cables in positions marked "A" on the chassis as shown in figure 1 and 3 for PULL to open throttle, and "C" positions for PUSH to open throttle.

The unit can be mounted in any position i.e. horizontally, vertically etc. Position the unit so as to give the absolute minimum number of cable bends (minimum bend radius 200mm) throughout the entire system.

It is advisable to secure cables on route.

1. Mount the unit using the 3 holes 6.5 mm dia. provided in the large flange. Avoid distortion of the unit when securing.
2. Set control heads in neutral position (Control heads see separate instructions) route cables to unit.
Remove split pins from input beam figure 1.
Secure cable hubs to unit using plastic cable clamps, pan head M5 screws and nuts provided, in required position, described above, and as shown in figure 2.
3. Lock the input beam using two 5 mm dia. pins (not included) in the required position. Fit terminal eye end to cable rod ends so as to equalize the lost motion. Connect cables to input beam, secure with split pins.

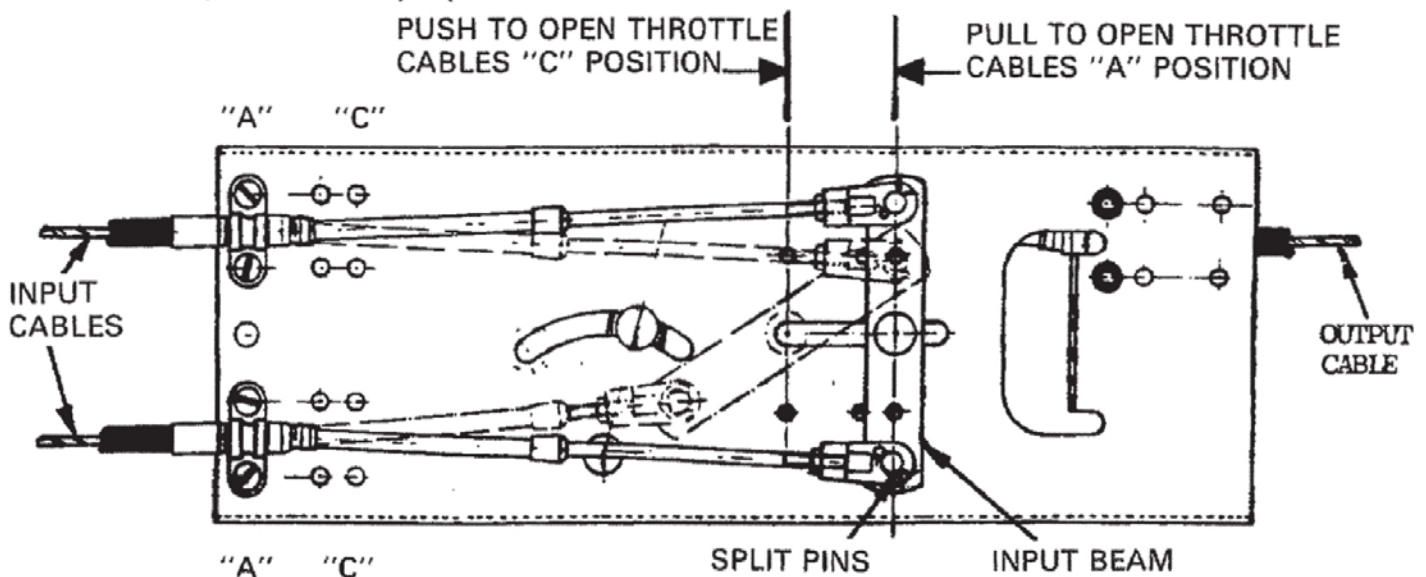


FIGURE 1. FRONT VIEW OF UNIT IN IDLE POSITION.

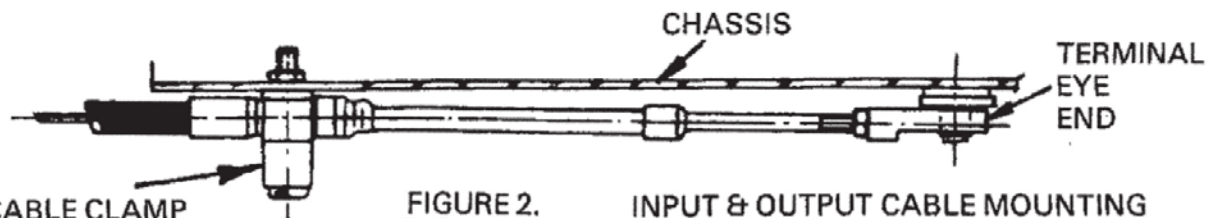


FIGURE 2. INPUT & OUTPUT CABLE MOUNTING

4. Route output cable to the throttle lever.
With input beam still locked remove split pin from out put lever. Secure cable hub to unit using plastic cable clamp, pan head M5 screws and nuts provided, in required position, described overleaf and as shown in figure 2. Fit terminal eye end to cable rod end so as to equalize the cable lost motion. Connect cable to output lever, secure with split pin.

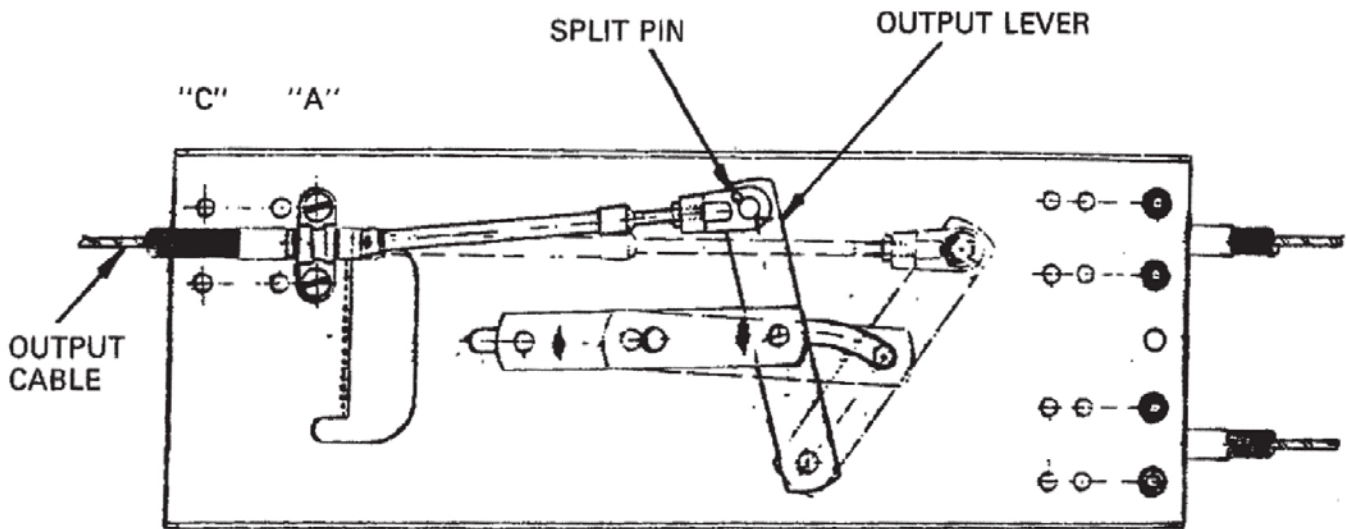


FIGURE 3. REAR VIEW OF UNIT IN IDLE POSITION

5. Connect the output cable to the throttle lever as instructed in the separate engine kit installation instructions, taking care to equalize cable lost motion.
6. When both GEAR & THROTTLE UNITS have been installed remove all setting pins and check the function of the systems.



We reserve the right to make material and specification changes without notice.