



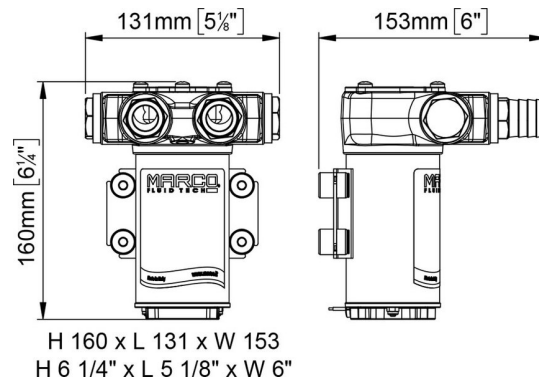
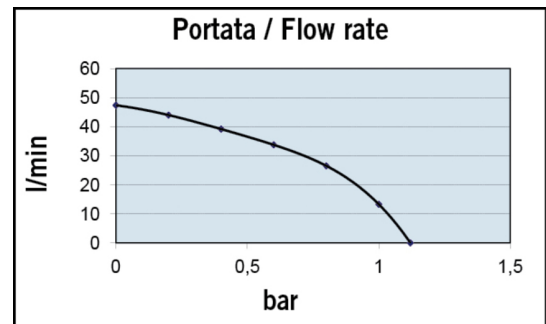
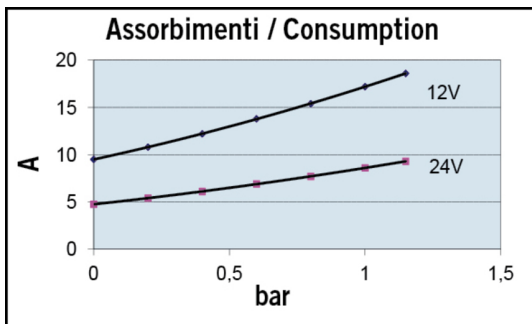
VP45-N Vane pump 45 l/min



Quick Overview

Self-priming electric vane pump with integrated by-pass valve. Aluminum body. Two options connection for 25 mm hose. Rotor and vanes made of resin. Brush holder with EMI filter. Main applications: diesel, oil and anti-freeze refuelling. Available also with case and handle for easy transport, On/Off switch and battery clips.

Part n.	Name	Voltage (V)	Consumption (A)	Fuse (A)	Self-priming (m)	Pressure (bar)	Flow rate (l/min)	Hose (mm)	Ports (BSP)	Motor power (W)	Weight (kg)
16602612	VP45-N	12	8	20	1,5	1,2	45	25	3/4"	150	2
16602613	VP45-N	24	4	10	1,5	1,2	45	25	3/4"	150	2





**BF20 bottom filter and
hosefittings for tubing ø 20 mm**



**BF25 bottom filter and
hosefittings for tubing ø 25 mm**