



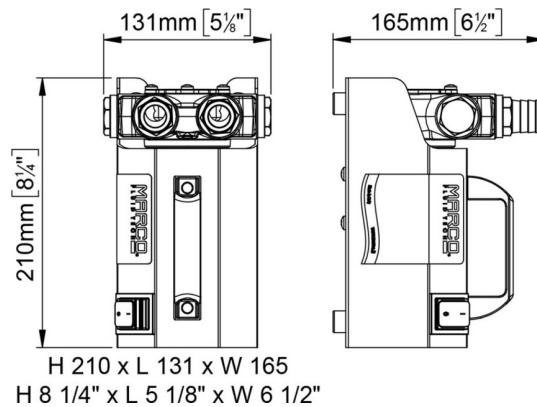
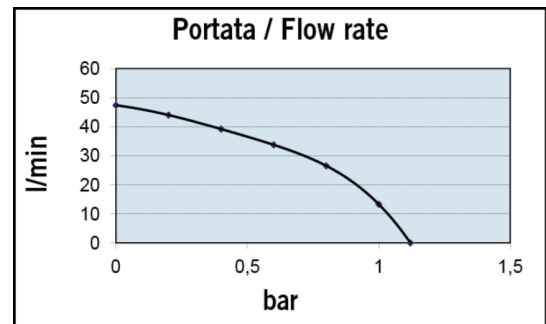
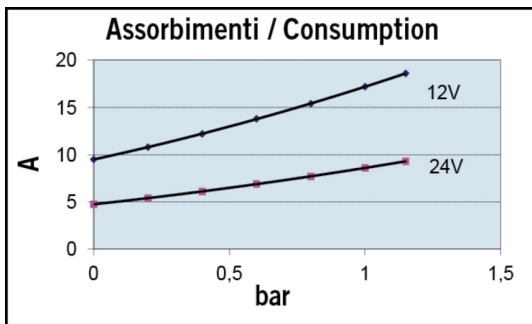
VP45-K Refuelling kit with 45 l/min vane pump



Quick Overview

Kit for diesel refueling. Includes the vane pump with integrated by-pass valve and battery clips. Refueling gun, 2 m priming hose, 3 m delivery hose and intake filter.

Part n.	Name	Voltage (V)	Consumption (A)	Fuse (A)	Self-priming (m)	Pressure (bar)	Flow rate (l/min)	Hose (mm)	Ports (BSP)	Motor power (W)	Weight (kg)
16602412	VP45-K	12	8	20	1,5	1,2	45	25	3/4"	150	6,3
16602413	VP45-K	24	4	10	1,5	1,2	45	25	3/4"	150	6,3

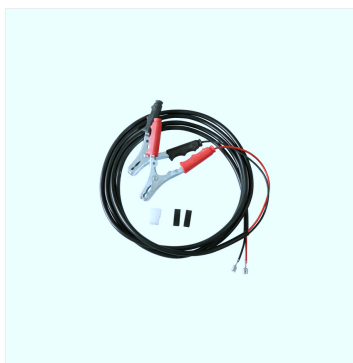




**BF20 bottom filter and
hosefittings for tubing ø 20 mm**



**BF25 bottom filter and
hosefittings for tubing ø 25 mm**



Kit of cables and battery clips