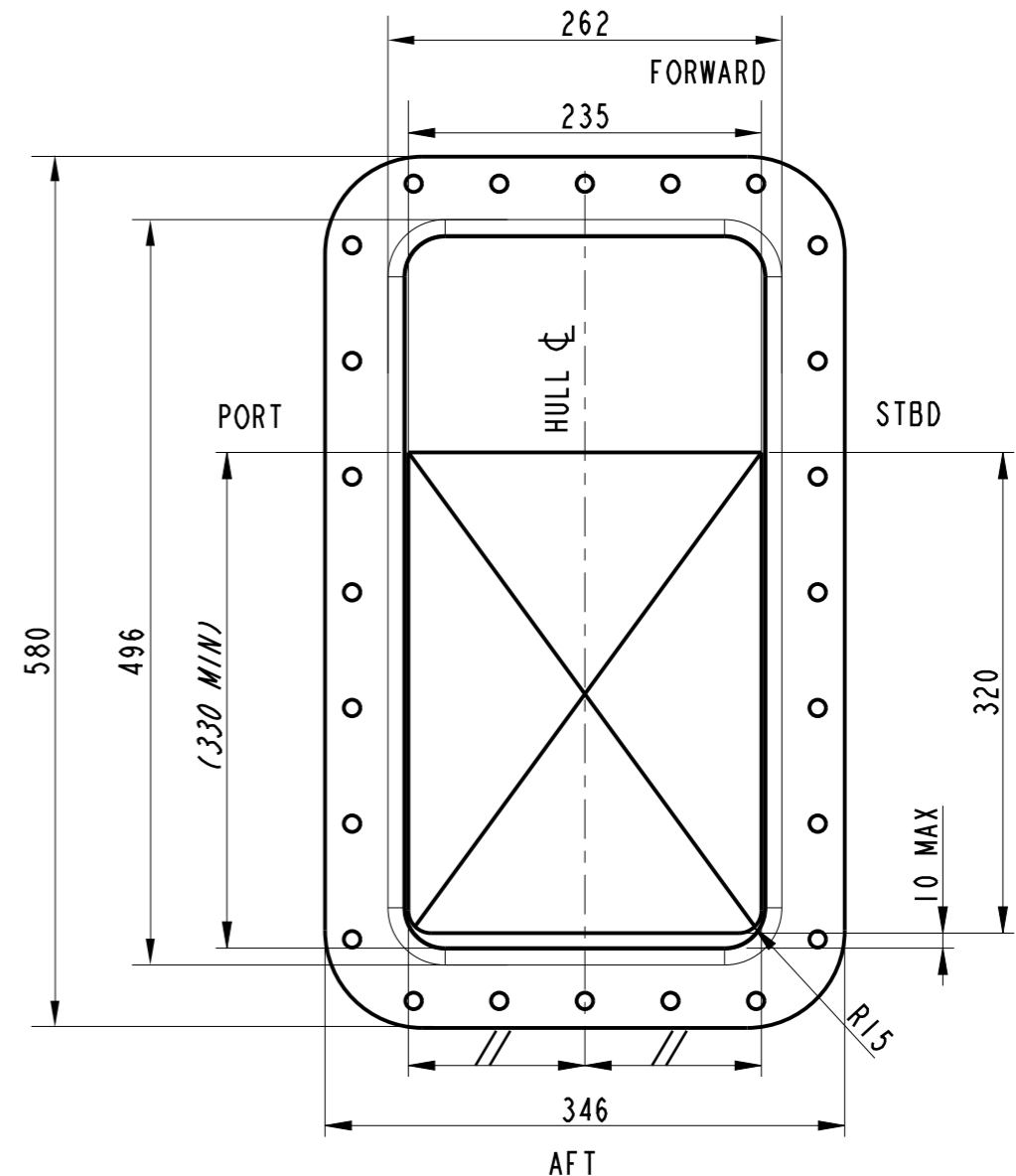


PART NUMBER	MOTOR SIZE	VOLTAGE	MOTOR ASSY	'H' HIEGHT	'L' LENGTH
59112001	3.0KW	12V	583026	360	690
59112002	3.0KW	24V	583027	360	690
59112003	4.0KW	12V	583032	360	690
59112004	4.0KW	24V	583033	360	690
59112005	5.0KW	12V	583028	385	710
59112006	5.0KW	24V	583029	385	710
59112007	6.0KW	12V	583030	410	730
59112008	6.0KW	24V	583031	410	730
59112010	7.0KW	HYD	583041	250	595



PLAN VIEW OF CUT-OUT
VIEWED PARALLEL TO FLANGE SEALING FACE
DIMENSION ARE MINIMUM REQUIRED
SCALE 1:5 @ A3

LEWMAR

Unauthorised use, manufacture or reproduction
in whole or in part is prohibited

Part Number: 59112001_SALES

RT185 - RETRACTABLE THRUSTER

Date: 09-Feb-17

Issue: -

Saved as: 59112001

Drawn by:

AM