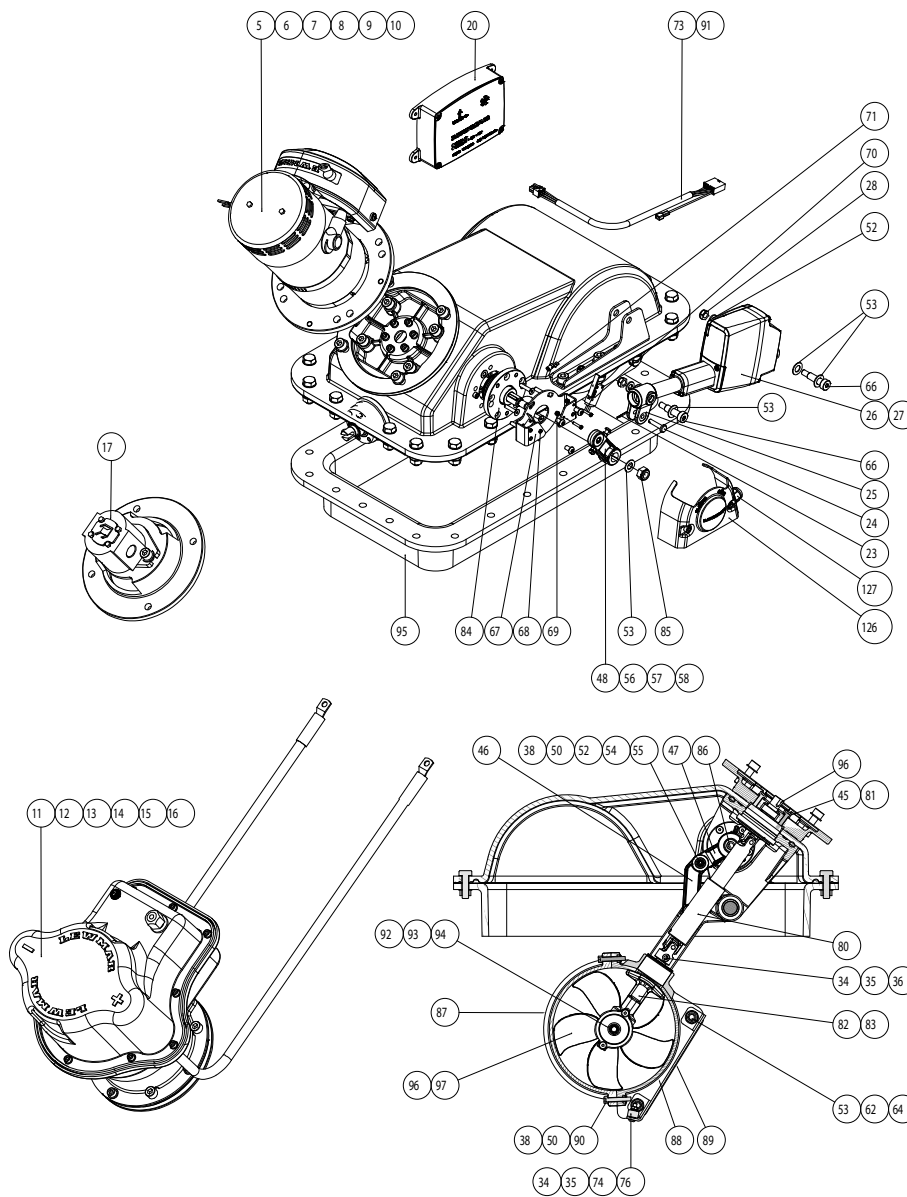


185RT - 4.0 to 6.0kW - 12/24V



PART NO.	DESCRIPTION	ITEMS INCLUDED (QTY)
583041	185 HYD MOTOR	17(1)
583084	185 4.0KW 12V MX	5(1)
583085	185 4.0KW 24V MX	6(1)
583086	185 5.0KW 12V MX	7(1)
583087	185 5.0KW 24V MX	8(1)
583088	185 6.0KW 12V MX	9(1)
583089	185 6.0KW 24V MX	10(1)
583092	185 4.0KW 12V MX IP	11(1)
583093	185 4.0KW 24V MX IP	12(1)
583094	185 5.0KW 12V MX IP	13(1)
583095	185 5.0KW 24V MX IP	14(1)
583096	185 6.0KW 12V MX IP	15(1)
583097	185 6.0KW 24V MX IP	16(1)
589351	185 PROPELLOR	96(1), 97(1)
589296	RT GEN2 I.C.U. ASSY	20(1)
589808	GEN2 RT MOTOR LOOM 2M	21(1)
589809	GEN2 RT MOTOR LOOM 5M	22(1)
56110002	RT 185 DRIVE SHAFT KIT	34(1), 35(1), 36(1), 45(6), 80(1), 81(6)

PART NO.	DESCRIPTION	ITEMS INCLUDED (QTY)
56110005	RT 185 GEARBOX	82(1), 83(2)
56110008	RT 185 CAM MECH WITH LINK	46(1), 47(1), 48(1), 50(2), 52(1), 53(1), 54(3), 55(2), 56(1), 57(2), 58(2), 84(1), 85(1), 86(1)
56110011	RT 185 TUNNEL ASSY WITH BRACKET	38(12), 50(6), 53(8), 62(4), 64(4), 87(1), 88(1), 89(1), 90(1)
56110013	RT ACTUATOR SHEAR PIN KIT	23(1), 24(1)
56110014	RT ACTUATOR 12V KIT	23(1), 24(1), 25(1), 27(1), 28(2), 52(2), 53(4), 66(2)
56110015	RT ACTUATOR 24V KIT	23(1), 24(1), 25(1), 26(1), 28(2), 52(2), 53(4), 66(2)
56110019	RT 140 / 185 MICRO SWITCH ASSY	66(1), 67(2), 68(2), 69(2), 70(1), 71(2)
56110021	RT MICRO SWITCH COVER	126(1), 127(1)
56110022	RT 140 / 185 WIRE LOOM	73(1)
56110023	RT 140 / 185 HYD WIRE LOOM	91(1)
56110027	RT 185 ANODE KIT	34(2), 35(2), 74(3), 75(4), 76(2), 92(2), 93(2), 94(2)
56110030	RT 185 LOWER FLANGE	95(1)
56110029	RT 185 SHEAR PIN KIT	23(1), 24(1), 36(1), 34(1), 35(1), 96(2)