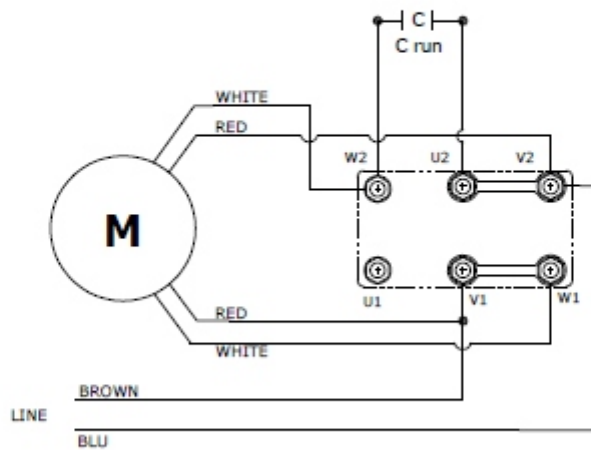
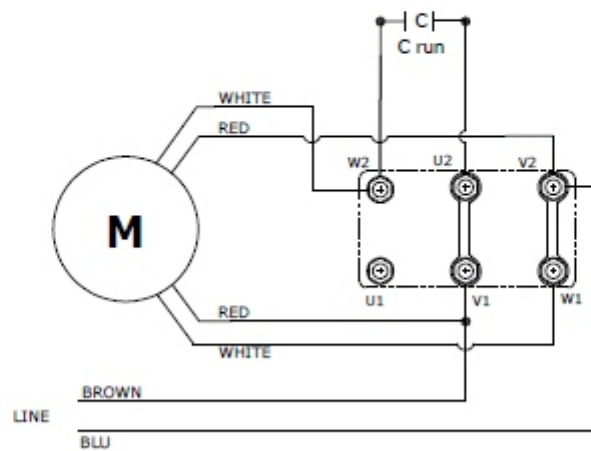


COUNTERCLOCKWISE ROTATION



CLOCKWISE ROTATION



M: motor
C run: starting capacitor