

tbs electronics

Professional programmable battery chargers

Omnicharge

OC12-90 (12V/90A)

OC24-50 (24V/50A)

OC24-80 (24V/80A)

- EN** Owner's manual
- NL** Gebruiksaanwijzing
- DE** Bedienerhandbuch
- FR** Mode d'emploi
- ES** Manual del propietario

TBS ELECTRONICS BV
De Marowijne 3, 1689AR, Zwaag, The Netherlands

<http://www.tbs-electronics.com>

Notice of Copyright

Omnicharge OC50-90 battery charger owner's manual © 2015 TBS Electronics BV. All rights reserved. No part of this document may be reproduced in any form or disclosed to third parties without the express written permission of TBS Electronics BV, De Marowijne 3, 1689AR, Zwaag, The Netherlands. TBS Electronics BV reserves the right to revise this document and to periodically make changes to the content hereof without obligation or organization of such revisions or changes, unless required to do so by prior arrangement.

Exclusions for documentation and product usage

UNLESS SPECIFICALLY AGREED TO IN WRITING, TBS ELECTRONICS BV ("TBS") :

1. MAKES NO WARRANTY AS TO THE ACCURACY, SUFFICIENCY OR SUITABILITY OF ANY TECHNICAL OR OTHER INFORMATION PROVIDED IN ITS MANUALS OR OTHER DOCUMENTATION
2. ASSUMES NO RESPONSIBILITY OR LIABILITY FOR LOSSES, DAMAGES, COSTS OR EXPENSES, WHETHER SPECIAL, DIRECT, INDIRECT, CONSEQUENTIAL OR INCIDENTAL, WHICH MIGHT ARISE OUT OF THE USE OF SUCH INFORMATION. THE USE OF ANY SUCH INFORMATION WILL BE ENTIRELY AT THE USER'S RISK
3. REMINDS YOU THAT IF THIS MANUAL IS IN ANY LANGUAGE OTHER THAN ENGLISH OR DUTCH, ALTHOUGH STEPS HAVE BEEN TAKEN TO MAINTAIN THE ACCURACY OF THE TRANSLATION, THE ACCURACY CANNOT BE GUARANTEED.
4. MAKES NO WARRANTY, EITHER EXPRESSED OR IMPLIED, INCLUDING BUT NOT LIMITED TO ANY IMPLIED WARRANTIES OF MERCHANTABILITY OR FITNESS FOR A PARTICULAR PURPOSE, REGARDING THESE TBS PRODUCTS AND MAKES SUCH TBS PRODUCTS AVAILABLE SOLELY ON AN "AS IS" BASIS.
5. SHALL IN NO EVENT BE LIABLE TO ANYONE FOR SPECIAL, COLLATERAL, INCIDENTAL, OR CONSEQUENTIAL DAMAGES IN CONNECTION WITH OR ARISING OUT OF PURCHASE OR USE OF THESE TBS PRODUCTS. THE SOLE AND EXCLUSIVE LIABILITY TO TBS, REGARDLESS OF THE FORM OF ACTION, SHALL NOT EXCEED THE PURCHASE PRICE OF THE TBS PRODUCTS DESCRIBED HERE IN.

Document name, date and part number

"OC50-90 Manual Rev1endfs", October 2015, 201476

EN	English	Page 4
NL	Nederlands	Pagina 25
DE	Deutsch	Seite 46
FR	Français	Page 67
ES	Español	Página 88

TABLE OF CONTENTS

1. INTRODUCTION	5
2. INSTALLATION	6
2.1 Unpacking	6
2.2 Mounting	6
2.3 Accessing the connection compartment	7
2.4 Wiring details	8
2.4.1 Control board connections and settings	10
2.4.2 Bottom side connections	11
2.5 Parallel operation	11
3. CONFIGURING THE BATTERY CHARGER.....	12
3.1 Selecting the correct charge program	12
3.2 Charge programs explained	14
4. GENERAL OPERATION	16
4.1 Omnicharge display and control overview	16
4.2 Charging batteries	17
4.3 Equalizing a flooded battery	18
5. TROUBLESHOOTING GUIDELINE.....	19
6. TECHNICAL SPECIFICATIONS	22
7. WARRANTY CONDITIONS.....	23
8. DECLARATION OF CONFORMITY	24

1. INTRODUCTION

Thank you for purchasing a TBS Electronics (TBS) Omnicharge battery charger. Please read this owner's manual for information about using the product correctly and safely. Keep this owner's manual and all other included documentation close to the product for future reference. For the most recent manual revision, please check the downloads section on our website.

The purpose of this owner's manual is to provide explanations and procedures for installing, configuring and operating the battery charger. The installation instructions are intended for installers that should have knowledge and experience in installing electrical equipment, knowledge of the applicable installation codes, and awareness of the hazards involved in performing electrical work and how to reduce those hazards.



WARNING

Before proceeding with this owner's manual, please make sure you have carefully read the enclosed safety flyer!

2. INSTALLATION

2.1 Unpacking

The charger package should contain the following items :

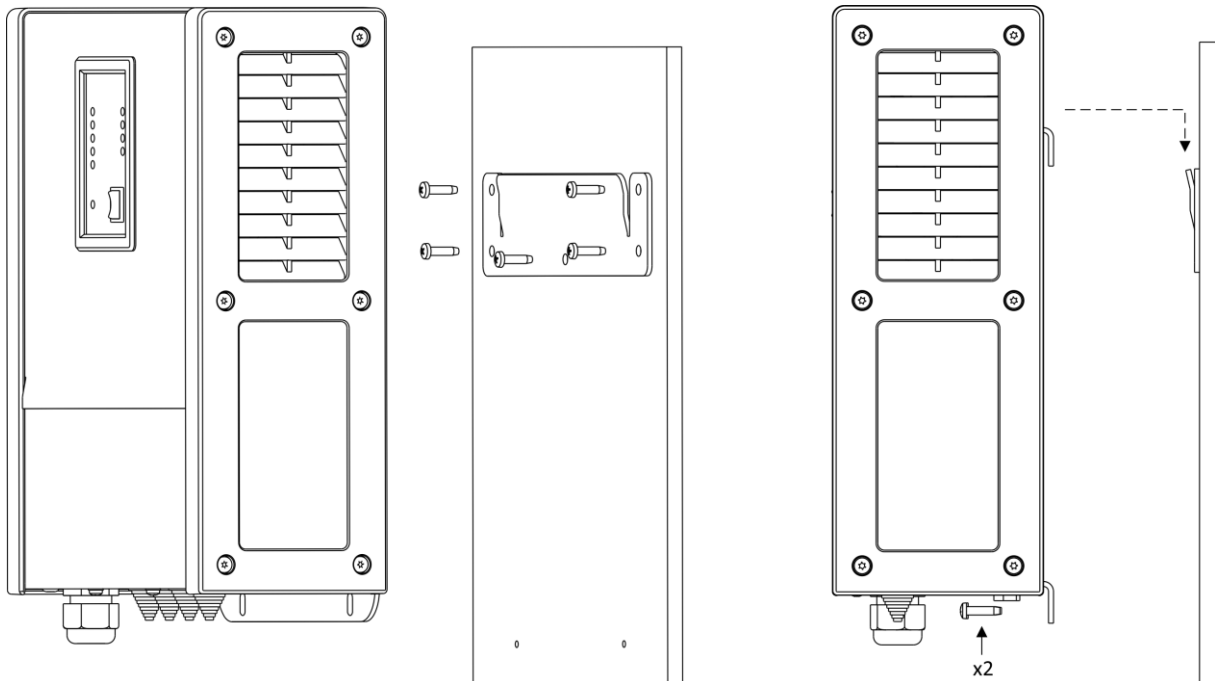
- Battery charger
- Wall bracket
- Battery temperature sensor (3m)
- Owner's manual
- Safety flyer
- Charger warning stickers
- 2x M8 crimp terminals
- 7x mounting screws

! CAUTION

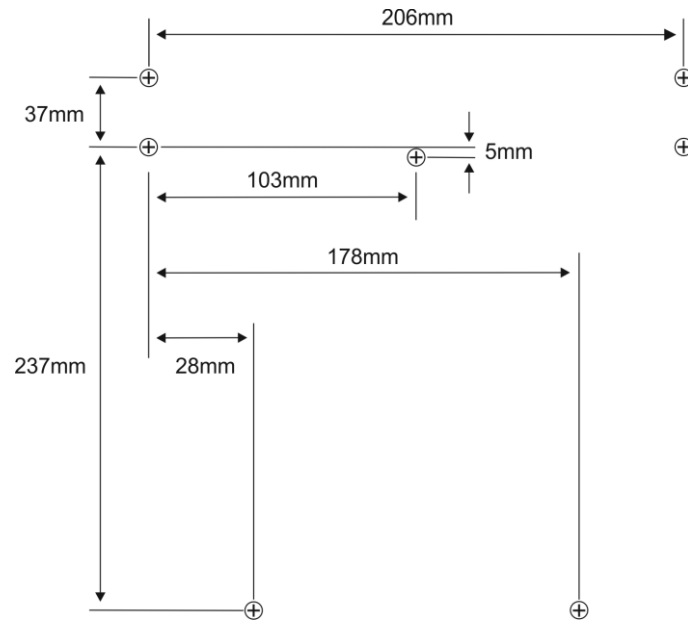
After unpacking, check if the product shows any mechanical damage. Never use the product when the enclosure shows any visual damage caused by harsh handling, or when it has been dropped accidentally. Contact your local supplier for further information.

2.2 Mounting

Please see the image below for the mounting method.



The image on the next page shows the mutual distances of the drilling holes.



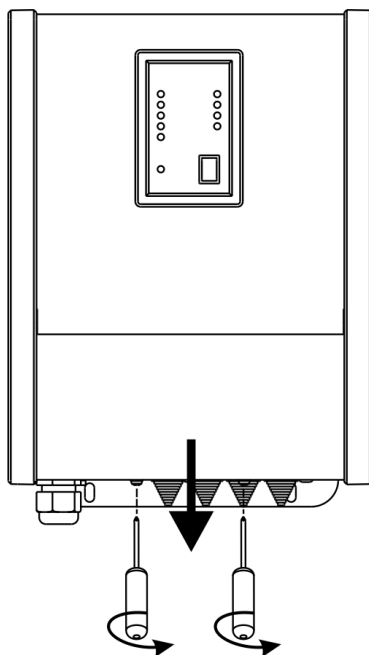
⚠ CAUTION

Keep a clear space of at least 10 cm around this product for cooling purposes! Always mount this product in an upright position. Floor mounting is allowed as well, provided that all 7 screws are used to secure the enclosure.

⚡ WARNING

To reduce the risk of explosion, never use this product in locations where there is danger of gas- or dust explosions or where ignition protected equipment is mandatory. Never install the charger directly on top of the battery or vice-versa.

2.3 Accessing the connection compartment

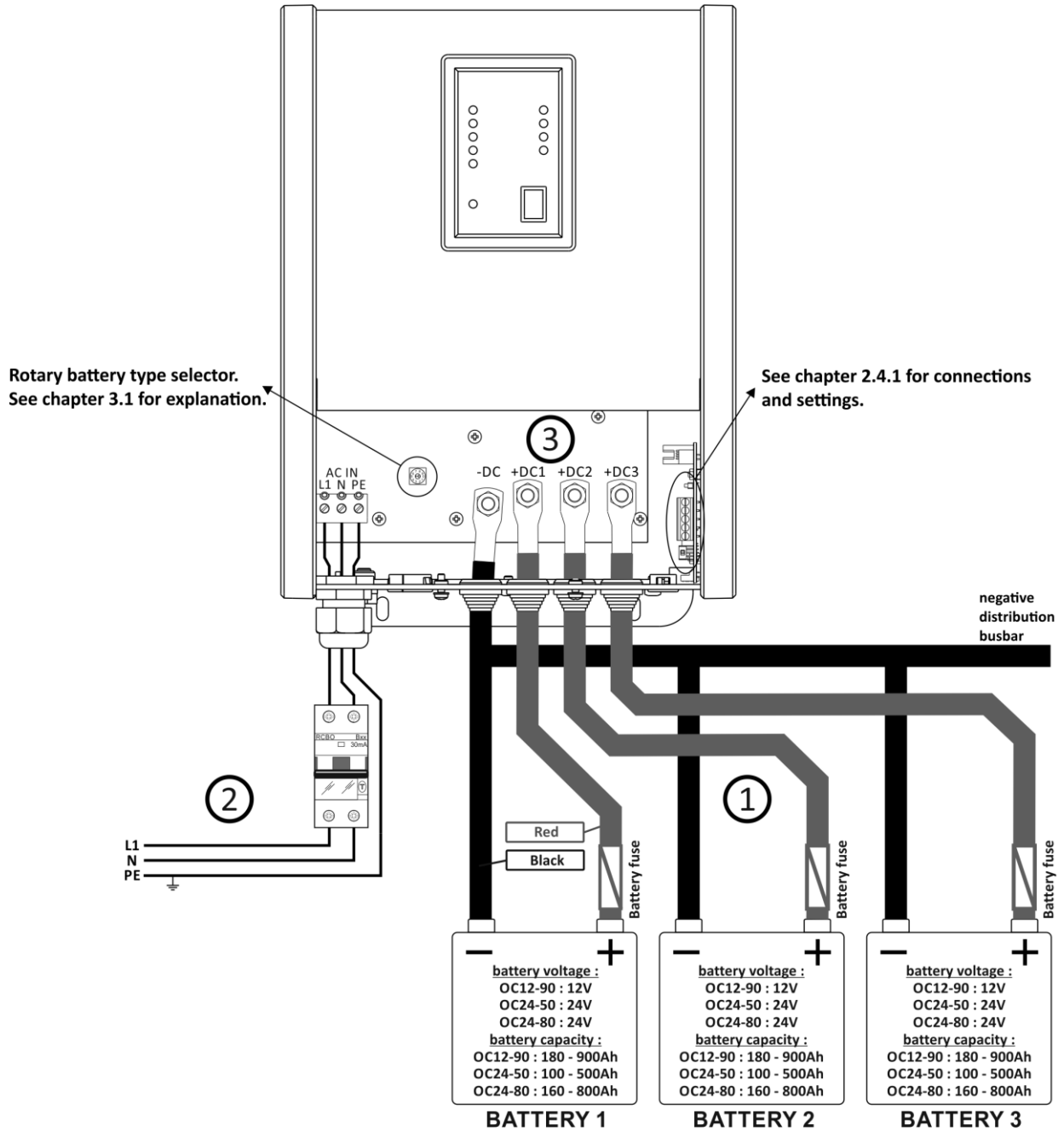


To access the connection compartment, remove the two screws indicated on the left and slide the red connection compartment cover downwards.

Never operate this product without having the cover re-installed!

2.4 Wiring details

Please see the image below for the wiring details.



- ① Please consult the following table to determine the correct battery cable and fuse size for each model. Using a smaller cable size or a longer cable will cause additional losses and may result in improperly charged batteries. Fire and burning hazards are present if the battery cables are insufficiently sized for the expected current. Battery cable lengths longer than 6 meters, are not recommended.

Model	Cable size (length ≤ 3 m)	Cable size (length = 3 to 6m)	Battery fuse (quick type)
OC12-90	35mm ² (AWG2)	50mm ² (AWG0)	100-120Amp
OC24-50	25mm ² (AWG3)	35mm ² (AWG2)	60-80Amp
OC24-80	35mm ² (AWG2)	50mm ² (AWG0)	100-120Amp

- ② The AC input must be protected by an earth leakage circuit breaker with overcurrent protection (RCBO), that can withstand the maximum nominal current consumption from the charger without tripping. All AC wiring must be sized accordingly. Please consult the following table to determine the correct AC wiring and RCBO sizes :

Model	AC wiring size / RCBO size (220-240VAC)	AC wiring size / RCBO size (100-120VAC)
OC12-90	1.5mm ² (AWG15) / 8A (30mA)	2.5mm ² (AWG13) / 16A (30mA)
OC24-50	1.5mm ² (AWG15) / 10A (30mA)	4mm ² (AWG11) / 20A (30mA)
OC24-80	2.5mm ² (AWG13) / 16A (30mA)	-

Please make sure that the information in this table is in accordance to all locally applicable electrical regulations.

- ③ Up to 3 battery banks can be connected to the charger. Each output can supply the full rated charging current. The total charging current of all 3 outputs combined, will never exceed the maximum rated charging current. All 3 outputs are isolated from each other by highly efficient active rectifiers.



WARNING

The schematic above shows a typical standalone installation. No guarantees are given on the compliance of any local electrical regulations. Please make sure that the complete installation is made in accordance to all locally applicable electrical regulations.



WARNING

This Class I product must be earthed! Always connect the PE wire or chassis ground screw at the bottom of the enclosure to your central ground (vehicle chassis, grounding system of your boat etc.)



CAUTION

Always connect the negative (-) cable directly on the negative terminal of the battery, or on the “loadside” of a current shunt. Always keep positive and negative cables close to each other to minimize electromagnetic fields. Double check for correct polarity, before connecting the battery cables to the battery! Wrong polarity may damage the charger.

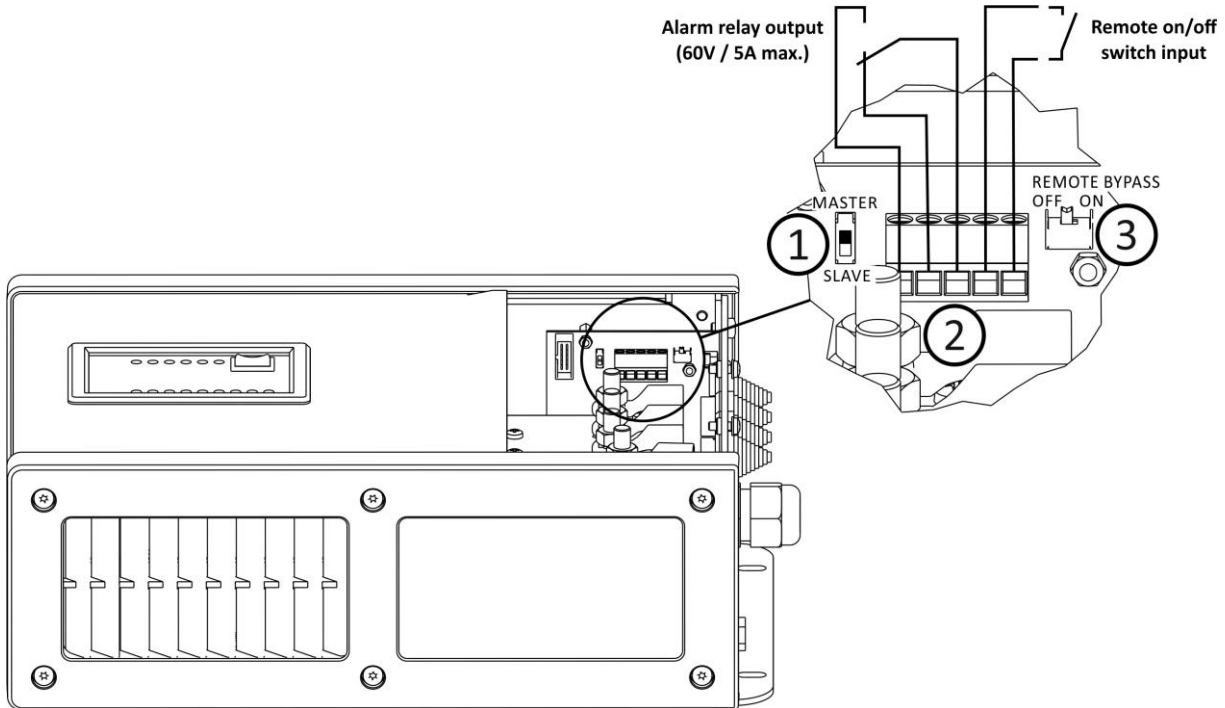


CAUTION

Please feed all connection compartment wiring through the rubber grommets and plastic gland.

2.4.1 Control board connections and settings

The following image shows the control board connections and switch options.



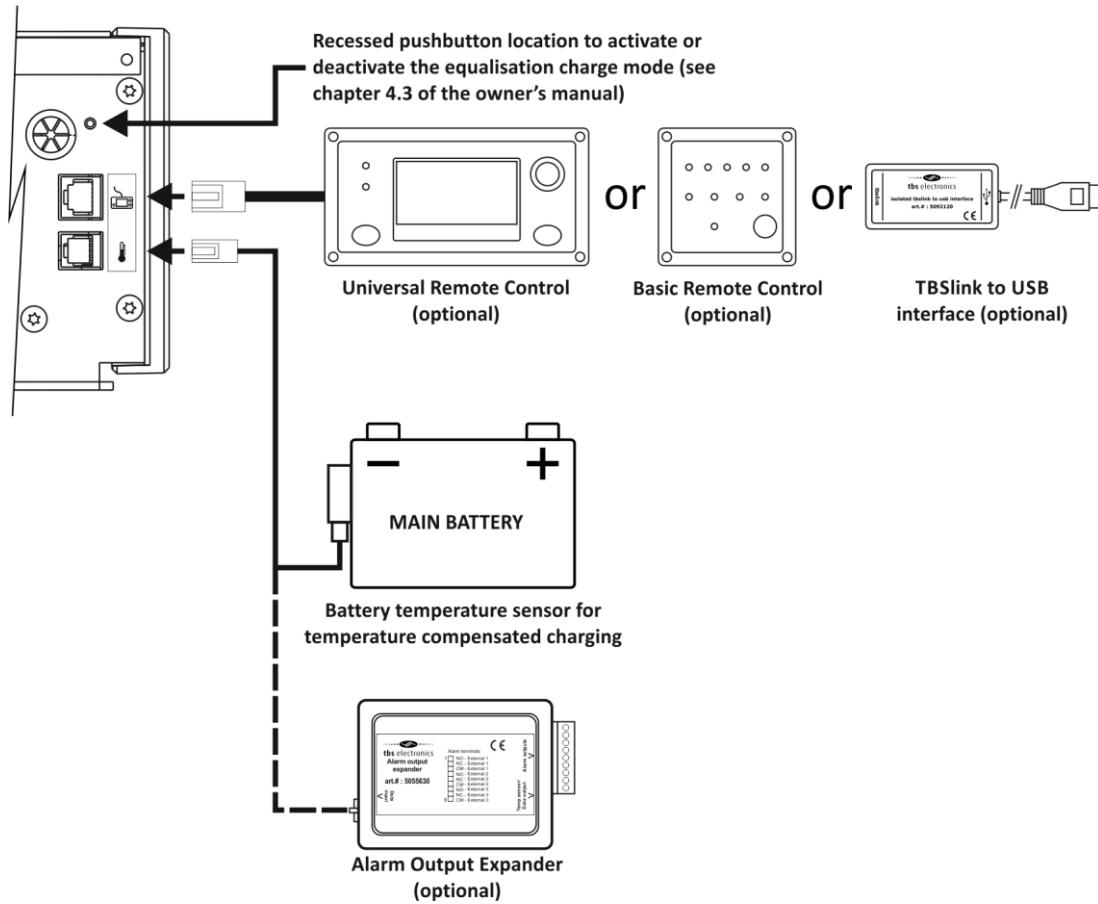
- ① Master/slave switch position. This switch must be set to 'MASTER' when a single charger is installed. The 'SLAVE' setting is only relevant for parallel charger systems.
- ② 5 pole screw terminal block. The first three positions are connected to the 'normally open', 'normally closed' and 'common' contacts of the internal alarm relay. This relay will be activated when the charger shuts down into an error mode. When the error condition has been cleared, this relay will de-activate again. Please make sure not to exceed the maximum relay contact rating of 60V and 5A to avoid damaging the relay or PCB.

On the 4th and 5th position of the screw terminal, an external switch can be connected to remotely turn the charger on and off. This switch can be located up to 50 meters away from the charger. It is advised to use a wire size of 1mm² (AWG17) for the remote switch connection. For the remote switch, any single pole switch can be used. Only a low power signal must be switched on this line.

- ③ Remote bypass switch position. When a remote switch is connected to the 5 pole screw terminal block, the remote bypass switch must be set to OFF. When no remote switch is used, the remote bypass switch must be set to ON.

2.4.2 Bottom side connections

Please see the next image for the bottom side connections.



2.5 Parallel operation

Up to 6 battery chargers of the same model can be connected in parallel, in order to reach very high charge current levels. This manual will not show any connection or operation details for paralleled charger systems. Such details are explained in the documentation that is included with the optional "Omnicharge XL Parallel Kit (art.# 5029950)".

3. CONFIGURING THE BATTERY CHARGER

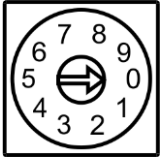

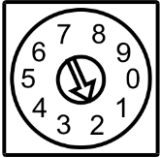
3.1 Selecting the correct charge program

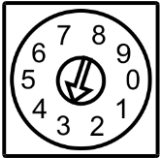

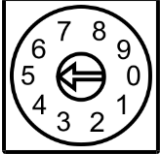
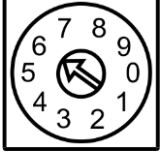
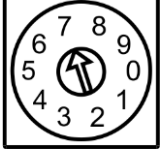
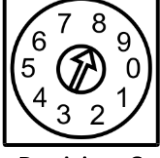
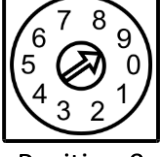
The image in chapter 2.4 showed the location of the rotary selector, which is used to select the desired charge program. The charge program selection depends on the type of battery that needs to be charged. Each battery type has its own typical bulk and float charge voltages. When your battery type or optimal charging voltages are still not available in the standard list, you can select rotary position '0' and setup the battery charger using the TBS Dashboard for Windows software. This software is included in the optional TBSLink to USB Communication Kit (art.# 5092120), which also contains an isolated interface box required to connect the Omnicharge to a PC. Using TBS Dashboard, all available parameters can be edited, and it is also possible to edit or create your own battery charge programs.

CAUTION

Invalid battery type settings can cause serious damage to your batteries and/or connected battery loads. Always consult your battery's documentation for the correct charge voltage settings.

In the following table, all settings are explained.

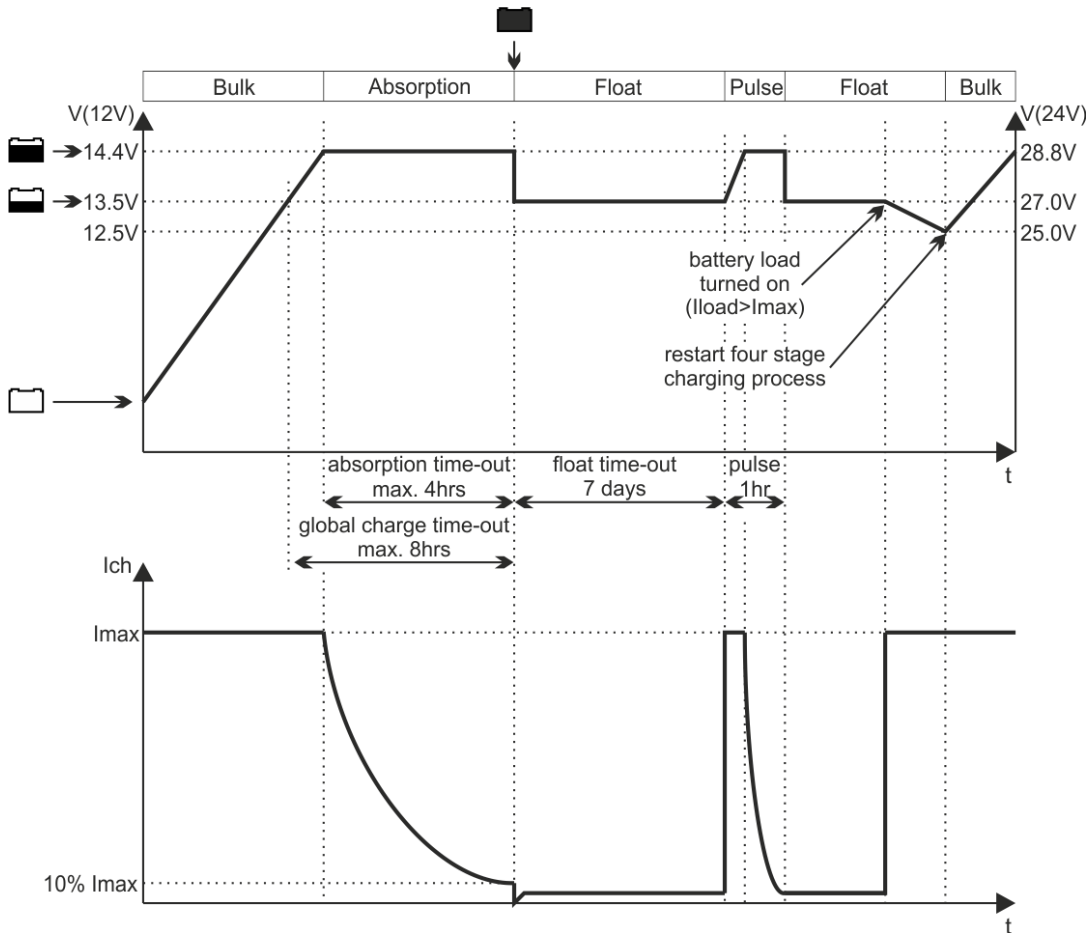
Selector position	Battery type	Voltage (12V/24V) and maximum timer settings
 Position 0	Custom (empty from factory)	The voltage settings for this position are empty. Connect the charger to a PC running TBS Dashboard and create a custom charge program to save on this position. If not, the charger will return a battery error when the selector is set to '0'.
 Position 1	Flooded (factory default setting)	Absorption voltage = 14.40V or 28.80V Float voltage = 13.50V or 27.00V Equalize voltage = 15.80V or 31.60V Max. bulk time = 8hrs Max. absorption time = 4hrs
 Position 2	GEL	Absorption voltage = 14.20V or 28.40V Float voltage = 13.50V or 27.00V Equalize voltage = equalize not available Max. bulk time = 8hrs Max. absorption time = 4hrs

 Position 3	AGM <i>(also for Optima SpiralCell)</i>	Absorption voltage = 14.70V or 29.40V Float voltage = 13.65V or 27.30V Equalize voltage = 15.50V or 31.00V Max. bulk time = 8hrs Max. absorption time = 4hrs
 Position 4	Lead Calcium	Absorption voltage = 14.80V or 29.60V Float voltage = 13.50V or 27.00V Equalize voltage = 15.80V or 31.60V Max. bulk time = 16hrs Max. absorption time = 8hrs
 Position 5	LiFePO4	Absorption voltage = 14.40V or 28.80V Float voltage = 13.80V or 27.60V Equalize voltage = equalize not available Max. bulk time = 12hrs Max. absorption time = 12hrs
 Position 6	Empty	Reserved for future use. If selected anyway, the charger will return a battery error.
 Position 7	Empty	Reserved for future use. If selected anyway, the charger will return a battery error.
 Position 8	Empty	Reserved for future use. If selected anyway, the charger will return a battery error.
 Position 9	Empty	Reserved for future use. If selected anyway, the charger will return a battery error.

This manual will only describe the rotary selector settings. Configuration by TBS Dashboard will be explained in the TBS Dashboard manual that comes with the TBSLink to USB Communication Kit.

3.2 Charge programs explained

Most standard selectable charge programs, perform a four stage IUoUoP charging process comprising of a “Bulk”, an “Absorption”, a “Float” and a “Pulse” stage. The image below visualizes the four stage charging process :



In the Bulk stage, the charger delivers full output current and typically returns approximately 80% of charge back into the battery once the absorption voltage is reached. During this stage, indicators 3d and 3c (see frontpanel image in chapter 4.1) will be lit depending on the Bulk charge progress.

When the absorption voltage has been reached, the Absorption stage will be entered and indicator 3b will be lit. This stage will return the final 20% of charge to the battery. The output voltage is kept at a constant level and the charge current decreases as a function of the battery's state of charge. When the charge current has dropped below a certain value or when the maximum absorption timer has been expired, the Float stage will be entered.

Indicator 3a will be lit and an acoustical message will sound, indicating that the battery is full. In this stage the battery voltage will be held constant at a safe level for the battery. It will maintain the battery in optimal condition for as long as the battery remains connected to the activated charger. Connected battery loads will be directly powered by the charger up to the charger's maximum output current level. When even more current is drawn, the

battery must supply this which results in a declining battery voltage. At a certain battery voltage level, the charger jumps back to the Bulk stage and will finalize a complete four stage charging process again, once the battery load consumption has dropped below the charger's maximum output current level.

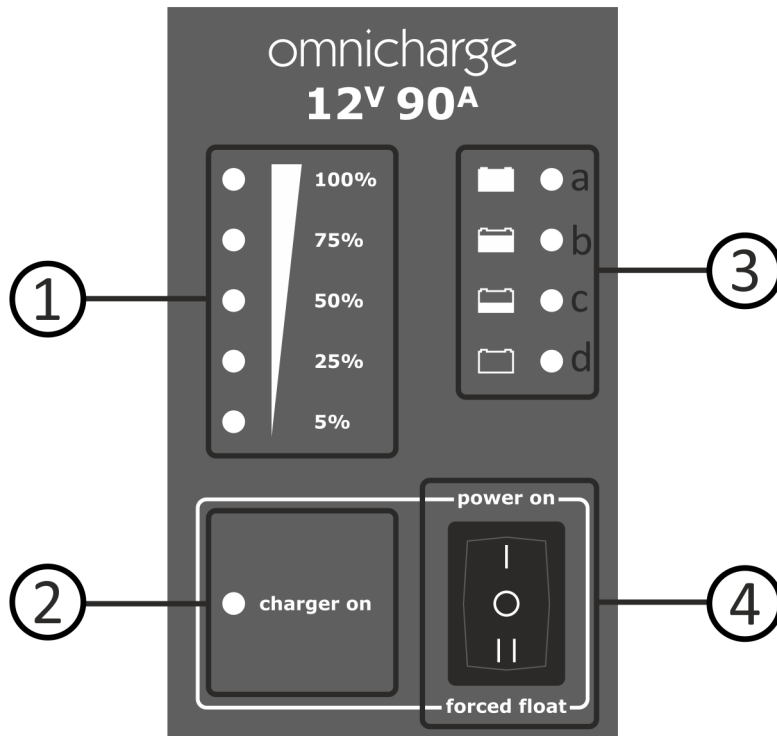
The fourth stage called "Pulse", will perform a short refresh charge of approximately 1 hour each 7 days while the charger operates in the Float stage. This will keep the battery in optimal condition while prolonging it's lifetime. The battery can remain connected to the activated charger continuously, without risk of overcharging.

When the battery temperature sensor is installed, the charger automatically compensates the charge voltages against battery temperature. This means that the charge voltages are slightly increased at lower temperatures and decreased at higher temperatures ($-30\text{mV}/^{\circ}\text{C}$ at 12V chargers and $-60\text{mV}/^{\circ}\text{C}$ at 24V chargers). This way, overcharging is prevented which prolongs your battery's lifetime. A connected battery temperature sensor also enables the battery temperature protection, which stops the charging process when the battery's temperature is below -20°C or above $+50^{\circ}\text{C}$.

4. GENERAL OPERATION

4.1 Omnicharge display and control overview

See the next image for an overview of all LED indicators on the Omnicharge frontpanel, as well as the location of the main switch.



The frontpanel can be divided into four sections :

- ① Output current bar. Indicates the percentage of total delivered charging current.
- ② Mode indicator. Indicates the operating mode of the battery charger

Indicator mode	Description
Continuous green	Power on, normal mode
Flashing red (1 flash per sec.)	Battery error <i>A battery error can appear for several reasons. These are : battery voltage is too low (too deeply discharged) or too high and battery temperature is too low or too high (only available when battery temperature sensor is connected). The charger will not restart automatically in battery error mode, except when this error was generated due to a too low battery voltage or a too low battery temperature.</i>
Flashing red (2 flashes per sec.)	High/low AC input voltage

Flashing red (3 flashes per sec.)	High charger temperature <i>The charger automatically restarts when the temperature is below an acceptable level.</i>
Flashing red (4 flashes per sec.)	Charger error (return for service)


③ Charge status bar. Gives a rough indication of the charging progress, see below :

LED 3a : 100% full (ready)
 LED 3b : 80% full
 LED 3c : 50% full
 LED 3d : empty

④ Power on, off, charger only switch.

Switch position	Description
"0"	Charger off <i>When the switch is in position "0", it does not interrupt any internal AC or DC sources. This means that there are still lethal voltages present inside the charger! In position "0", the charger will still consume a small amount of AC current.</i>
"1"	Charger on in automatic charging mode
"11"	Charger on in forced float mode <i>In this mode, the output voltage of the charger is set constantly to the float voltage (value is depending on selected battery type) while being able to deliver full rated output current. Since no automatic charging programs are activated in this mode, it can be used for constant voltage charging or operating the charger as a battery buffered power supply.</i>

4.2 Charging batteries

 CAUTION
<p>Before you start to charge batteries, read all enclosed safety instructions and warnings while following all safety precautions about working with batteries.</p>

The list below globally describes the steps to follow for charging batteries :

1. Push the charger switch in the "0" (Off) position and disconnect the AC supply to the charger
2. If possible disconnect or switch off all loads from the battery
3. Connect the battery to the charger
4. Switch on the AC supply and activate the charger by pushing the charger switch in the "1" (power on) position. After a two tone beep, the charger will start the charging proces.
5. After charging is completed, push the charger switch in position "0" and switch off the AC supply again, before disconnecting the battery. Or, keep all connections and the charger switch position untouched and just re-connect all battery loads.

4.3 Equalizing a flooded battery

If you are using a lead acid battery, an occasional equalization charge cycle may be recommended by the manufacturer. This might also be true when the battery has been very deeply discharged or often charged inadequately. During equalization, the battery will be charged up to approx. 15.5V (or 31V for 24V models) at a reduced output current level. Before starting an equalization charge cycle, the following caution statements must be read carefully :

CAUTION

Equalization should only be performed on a lead acid battery type that supports this process. Therefore the Omnicharge only allows equalization when the battery type rotary selector is set to Flooded, AGM or Lead Calcium. Other battery types like GEL or Lithium will be damaged by this process. Please be aware that not all AGM and Lead Calcium battery manufacturers allow an equalization process. Always follow the battery manufacturer's instructions when equalizing batteries.

During equalization, the battery generates explosive gasses. Follow all the battery safety precautions enclosed with your Omnicharge. Ventilate the area around the battery sufficiently and ensure that there are no sources of flames or sparks in the vicinity.

Disconnect all loads connected to the battery during equalization. The voltage applied to the battery during this process may be above safe levels for some loads.

The Omnicharge cannot automatically determine when to stop the equalization of a battery. The user must monitor the battery's specific gravity throughout this process to determine the end of the equalization cycle. The internal 1 hours time-out timer of your charger is only intended as a safety feature, but may not be sufficiently short to prevent battery damage. Therefore, equalizing a battery is always a process that must continuously be supervised by the user.

As explained earlier, the Omnicharge will only allow equalization when the battery type rotary selector is set to a battery type that may allow an equalization cycle. Besides this, the charger also needs to have a full charge cycle completed and must operate in the Float stage. When these two conditions are met, the equalization charge mode can be activated by pressing the recessed pushbutton on the bottom side of the unit (see image in chapter 2.4.2) for 3 seconds, until all charge status indicators start flashing.

The Omnicharge battery charger will allow a maximum equalization time of 1 hour before it automatically jumps back to the Float stage. If the specific gravity of each cell does not match the battery manufacturer's specifications yet, you can initiate a new 1 hour equalization cycle by pressing the pushbutton for 3 seconds again. Always keep on checking the specific gravity of each cell repeatedly during the equalization process. When these values are correct, you can manually exit the equalization process by pressing the recessed pushbutton once. The battery charger will then return to the Float stage.

5. TROUBLESHOOTING GUIDELINE

Please see the table below if you experience any problems with the Omnicharge battery charger and/or the installation.

Problem	Possible cause	Remedy
Omnicharge is not working at all.	Main switch in Off (0) position.	Push the power switch in the 'I' or 'II' position.
	AC input voltage is out of range or not available.	Make sure the AC input voltage is available and within the operating range of the charger.
	Remote switch or TBS Remote Control has deactivated the charger.	Activate the charger remotely or check if the remote bypass switch is set correctly.
	Poor contact between the charger battery wires and the battery terminals.	Clean battery terminals or charger wire contacts. Tighten battery terminal screws.
	Blown DC fuse.	Check battery fuse or internal charger output fuse (located on charger PCB).
	Very poor battery condition.	Replace battery.
The battery is not being charged up to it's maximum capacity.	Incorrect absorption charge voltage setting.	Check the battery type selector for correct settings. Or adjust the absorption voltage using TBS Dashboard.
	Incorrect charge current setting.	Adjust the charge current using the Universal Remote Control or TBS Dashboard. Typically, the charge current should be set to 10%-20% of the total battery capacity
	Too much voltage loss in battery cables and/or connections.	Make sure that the battery cables have a large enough diameter. Check if all DC connections are solidly made.
	Additional battery loads are consuming too much current during charging.	Turn-off or disconnect all battery loads.

Charge current is too low.	High ambient temperature.	Try to lower the ambient temperature around the charger.
	Charger is operating in the absorption charging stage.	Do nothing. The battery is almost fully charged and consumes less current by itself.
Charge voltage is too low.	The charge voltage is being compensated by the battery temperature sensor to protect the battery.	Do nothing or try to cool down the ambient temperature around the battery.
	Wrong battery type selected, or custom charge program needs to be re-adjusted.	Select the correct battery type or adjust the custom charge program using TBS Dashboard.
	DC cables too thin.	Install larger DC cables. See the DC cable size table in chapter 2.4.
	Battery load current is higher than the charger's output current.	Reduce or remove the battery load.
LED 'charger on' is blinking red once per second (battery error).	Battery voltage is too low. (must be > 6V @12V and >12V @24V systems)	Battery is damaged, replace it. Or battery has been discharged too extremely.
	Battery voltage is too high. (> 15% of set charge voltage).	Check the DC system for an external source that pushes the battery voltage too high.
	Battery temperature is too high or too low. (only available when temperature sensor is installed)	Make sure that the battery is located in a better environment to charge batteries.
LED 'charger on' is blinking red twice per second (AC error).	AC input voltage is too high or too low.	Please make sure that the AC input voltage is within the operating range of the charger.
LED 'charger on' is blinking red three times per second (high charger temperature error).	Airflow around the charger is obstructed.	Make sure there is at least 10 centimeters of clearance around the charger. Remove any items placed on or over the charger. Keep the charger away from direct sunlight or heat producing equipment.

	Too high ambient temperature.	Move the charger to a cooler environment or provide additional cooling by an external fan.
LED 'charger on' is blinking red four times per second (charger error).	An internal error is detected.	Please return the charger to your nearest dealer for service.

If none of the above remedies will help solving the problem you encounter, it's best to contact your local TBS distributor for further help and/or possible repair of your Omnicharge. Do not disassemble the charger yourselves, there are dangerously high voltages present inside and it will also void your warranty.

6. TECHNICAL SPECIFICATIONS

Parameter	OC12-90	OC24-50	OC24-80
AC input voltage	100-260Vac / 47-63Hz / PF > 0.9		180-260Vac
Full load power consumption	1550VA	1700VA	2750VA
AC input current (115V/230V)	13.5A / 6.8A	15A / 7.5A	- / 12A
Total DC output current ^{1) 4)}	90A	50A	80A
Nominal DC output voltage ¹⁾	12Vdc	24Vdc	
Number of full current outputs	3 (internally isolated)		
Charge characteristic ²⁾	IUoUoP, intelligent 4-stage, temp. compensated		
Standard absorption voltage ²⁾	14.4Vdc	28.8Vdc	
Standard float voltage ²⁾	13.5Vdc	27.0Vdc	
Standard equalize voltage ²⁾	15.8Vdc	31.6Vdc	
Supported battery types ²⁾	Flooded / Gel / AGM / LiFePO4 / Custom		
Recommended battery capacity ³⁾	180-900Ah	100-500Ah	160-800Ah
DC current draw (charger off)	< 0.1mA		
Operating temp. Range	-10°C...+55°C (humidity max. 90% non condensing)		
Storage temp. Range	-20°C...+70°C (humidity max. 90% non condensing)		
Cooling	Variable speed fan		
TBSLink enabled	Yes		
Protections	Low AC input voltage, output short circuit, high temperature, battery overcharging and reverse polarity (fuse)		
Indications	Power on, output current, state of charge, error		
DC output connections	4x M8 bolts		
AC input connections	Screw terminals		
Enclosure body size (HxWxD)	370 x 271 x 132mm		
Total weight	6.2kg		
Protection class	IP21 (mounted in upright position)		
Standards	CE marked. EMC : EN55016-2-1(/A1), EN55016-2-3(/A1), EN 61000-4-2(3/4/5/6). Safety : EN60335-1, EN60335-2-29		

Note : the given specifications are subject to change without notice.

- 1) Maximum output current tolerance is +/-5%. Maximum set point voltage deviations are +/-1%. All set point voltages are temperature compensated when the battery temperature sensor is connected.
- 2) Value is programmable.
- 3) Always consult battery manufacturers specifications for maximum allowable charge current.
- 4) At higher ambient temperatures (>40°C), maximum output current may be reduced automatically.



Please act according to your local rules and do not dispose of your old products with your normal household waste. The correct disposal of your old product will help prevent potential negative consequences for the environment and human health.

7. WARRANTY CONDITIONS

TBS Electronics (TBS) warrants this product to be free from defects in workmanship or materials for 24 months from the date of purchase. During this period TBS will repair the defective product free of charge. TBS is not responsible for any costs of the transport of this product.

This warranty is void if the product has suffered any physical damage or alteration, either internally or externally, and does not cover damage arising from improper use, or from use in an unsuitable environment.

This warranty will not apply where the product has been misused, neglected, improperly installed or repaired by anyone other than TBS. TBS is not responsible for any loss, damage or costs arising from improper use, use in an unsuitable environment, improper installing of the product and product malfunctioning.

Since TBS cannot control the use and installation (according to local regulations) of their products, the customer is always responsible for the actual use of these products. TBS products are not designed for use as critical components in life support devices or systems, that can potentially harm humans and/or the environment. The customer is always responsible when implementing TBS products in these kind of applications. TBS does not accept any responsibility for any violation of patents or other rights of third parties, resulting from the use of the TBS product. TBS keeps the right to change product specifications without previous notice.

Examples of improper use are :

- Too high AC input voltage applied
- Reverse connection of battery polarity
- Connecting wrong batteries (too high battery voltages)
- Mechanical stressed enclosure or internals due to harsh handling or incorrect packaging
- Contact with any liquids or oxidation caused by condensation

8. DECLARATION OF CONFORMITY

MANUFACTURER : TBS Electronics BV
ADDRESS : De Marowijne 3
1689 AR Zwaag
The Netherlands

Declares that the following products :

PRODUCT TYPE : Professional programmable battery charger
MODELS : OC12-90, OC24-50, OC24-80

Conforms to the requirements of the following Directives of the European Union :

EMC Directive 2004/108/EC

The above product is in conformity with the following harmonized standards :

EMC : EN55016-2-1(/A1), EN55016-2-3(/A1), EN 61000-4-2(3/4/5/6)
Safety : EN60335-1, EN60335-2-29

INHOUDSOPGAVE

1. INLEIDING	26
2. INSTALLATIE.....	27
2.1 Uitpakken.....	27
2.2 Montage.....	27
2.3 Toegang verschaffen tot het aansluit compartiment	28
2.4 Bedradingsdetails	29
2.4.1 Aansluitingen en instellingen op het “control board”	31
2.4.2 Aansluitingen op de onderzijde.....	32
2.5 Parallel schakelen van meerdere acculaders.....	32
3. HET CONFIGUREREN VAN DE ACCULADER	33
3.1 Selectie van het juiste laadprogramma	33
3.2 Laadprogramma’s.....	35
4. ALGEMENE WERKING	37
4.1 Omnicarge display en bedieningsoverzicht	37
4.2 Het laden van accu’s.....	38
4.3 Het equaliseren van een accu	39
5. STORINGSTABEL	41
6. TECHNISCHE SPECIFICATIES	44
7. GARANTIE / AANSPRAKELIJKHEID FABRIKANT	45
8. CONFORMITEITSVERKLARING	45

1. INLEIDING

Bedankt voor de aanschaf van een TBS Electronics (TBS) Omnicharge acculader! Het is belangrijk deze gebruiksaanwijzing te lezen voor een correct en veilig gebruik van dit product. Aanbevolen wordt om deze gebruiksaanwijzing plus alle andere bijgesloten documentatie, in de buurt van dit product te houden voor het toekomstig naslaan van informatie. Voor de meest recente gebruiksaanwijzing kunt u altijd de downloads pagina op onze website bezoeken.

Het doel van deze gebruiksaanwijzing is om de installatie, configuratie en bediening van de Omnicharge acculader uit te leggen. Dit document is bedoeld voor installateurs welke kennis en ervaring hebben op het gebied van het installeren van elektrische apparatuur. Tevens is kennis noodzakelijk betreffende de lokaal geldende normen voor elektrische installaties en dient de installateur zich ervan bewust te zijn te werken met gevaarlijke spanningen en zeer hoge stromen.



WAARSCHUWING

Zorg ervoor dat u voordat u verder gaat met deze gebruiksaanwijzing, ook de bijgesloten veiligheidsflyer heeft gelezen!

2. INSTALLATIE

2.1 Uitpakken

De verpakking moet de volgende zaken bevatten :

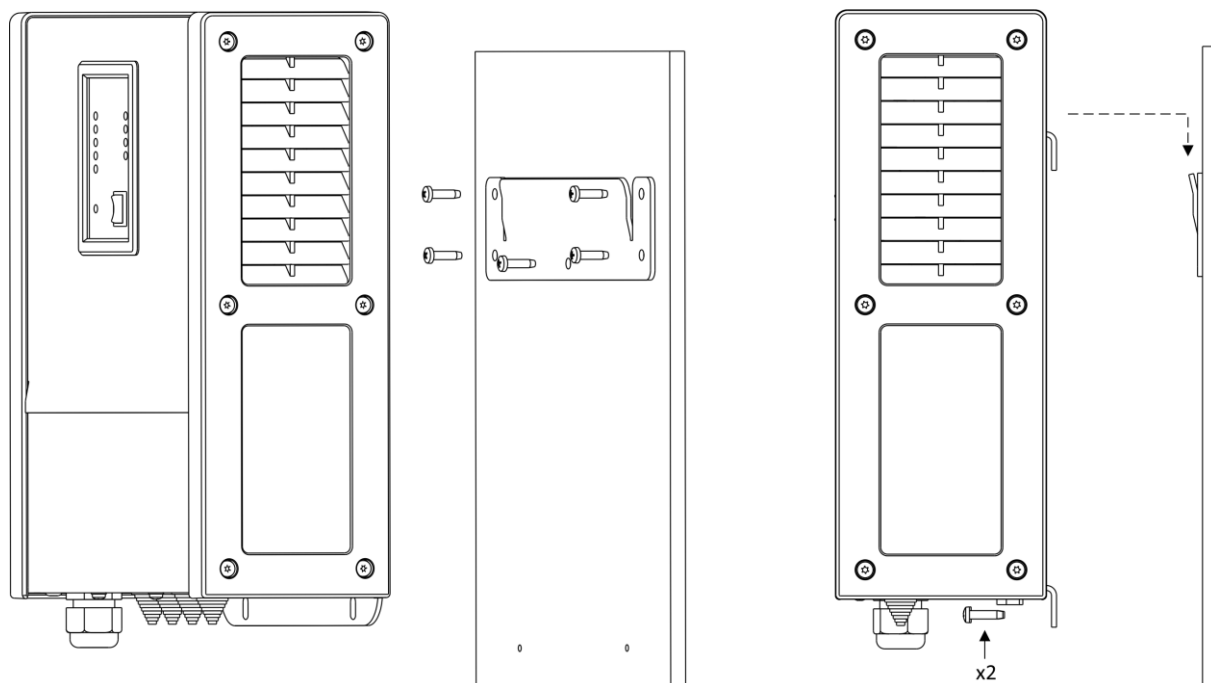
- Acculader
- Ophangbeugel
- Temperatuur sensor (3m)
- Gebruiksaanwijzing
- Veiligheidsflyer
- Lader waarschuwingsstickers
- 2x M8 krimpogen
- 7x mounting screws

! LET OP

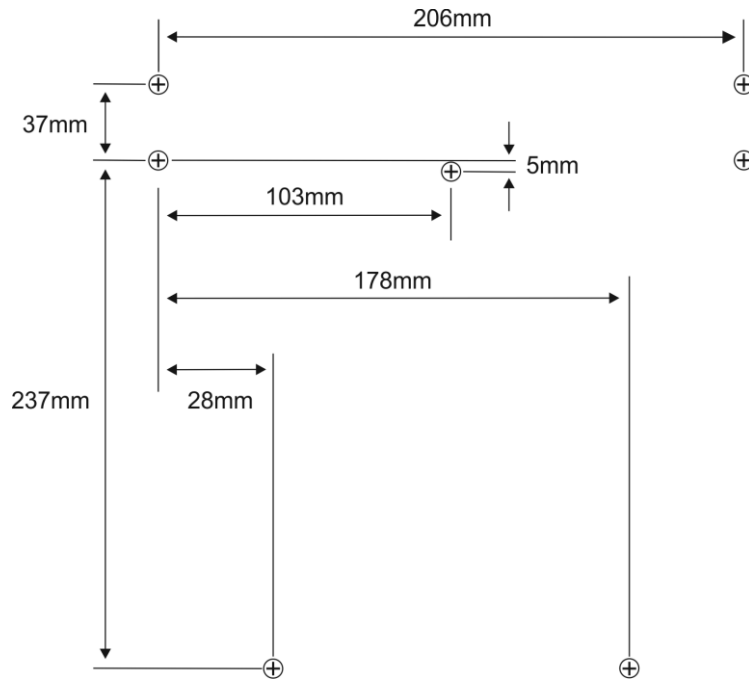
Na het uitpakken dient u dit product te controleren op mogelijke mechanische (transport-) schade. Gebruik dit product in geen geval wanneer deze beschadigd is. Neem hiervoor contact met uw lokale leverancier voor verdere informatie.

2.2 Montage

Zie onderstaande afbeelding voor de montage methode.



De afbeelding op de volgende pagina toont de onderlinge afstanden van de boorgaten.



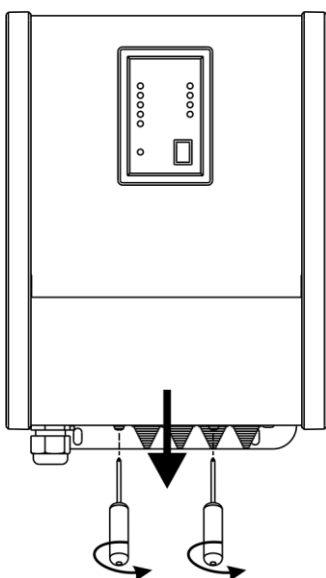
! LET OP

Houd rondom dit apparaat een ruimte van minimaal 10cm vrij voor koeling! Monteer dit apparaat bij voorkeur rechtop. Vloermontage is ook toegestaan. Hierbij dienen alle 7 montage schroeven te worden gebruikt om de behuizing vast te zetten.

⚡ WAARSCHUWING

Om het risico op explosies te verlagen, dient dit product niet toegepast te worden op lokaties met gas- of stof explosie gevaar. Installeer dit product nooit direct boven de accu.

2.3 Toegang verschaffen tot het aansluit compartiment

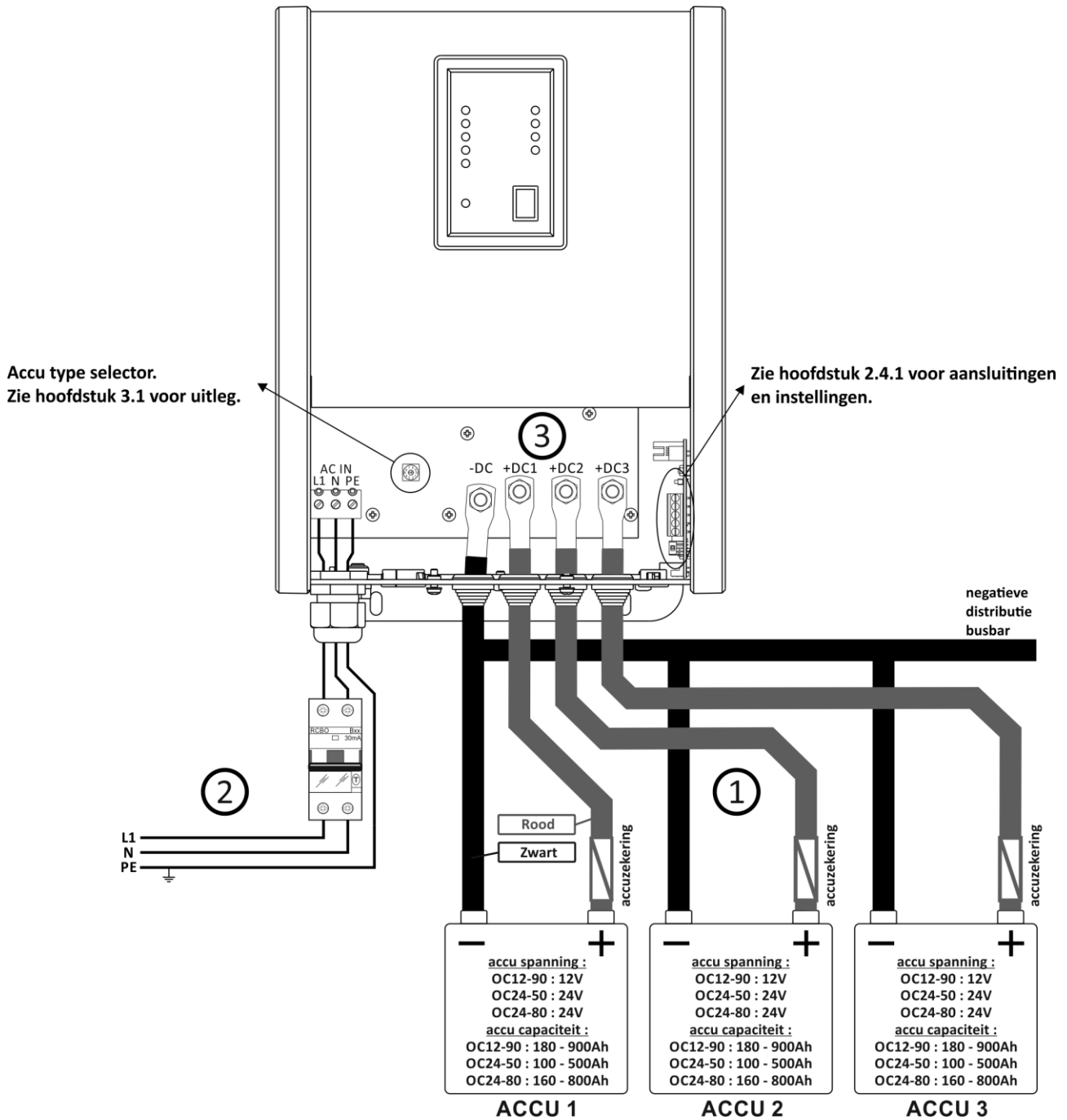


Het aansluit compartiment kan worden bereikt, door de twee schroeven te verwijderen en de rode afdekplaat naar beneden te schuiven.

Neem dit product nooit in bedrijf voordat de afdekplaat weer teruggeplaatst is!

2.4 Bedradingsdetails

Zie de volgende afbeelding voor de bedradingsdetails.



- ① Zie onderstaande tabel ter bepaling van de juiste accukabel dikte en de zekeringwaarde per model. Het gebruik van dunnere of langere kabels dan opgegeven, kan resulteren in extra verliezen en incorrect opgeladen accu's. Brandgevaar is aanwezig wanneer de kabels niet zijn berekend op de verwachte stromen. Accukabel lengtes groter dan 6 meter worden niet aanbevolen.

Model	Kabel dikte (lengte ≤ 3 m)	Kabel dikte (lengte = 3 tot 6m)	Accu zekering (snel type)
OC12-90	35mm ²	50mm ²	100-120Amp
OC24-50	25mm ²	35mm ²	60-80Amp
OC24-80	35mm ²	50mm ²	100-120Amp

- ② De AC ingang moet beveiligd worden middels een aardlek schakelaar met overstroom beveiliging (RCBO), gedimensioneerd op de maximaal te verwachten stroomopname van de acculader. Dit geldt ook voor de AC bedradingsdikte. Zie de volgende tabel voor de correcte AC bedradingsdikte en RCBO specificatie per model.

Model	AC bedradingsdikte / RCBO specificatie (220-240VAC)	AC bedradingsdikte / RCBO specificatie (100-120VAC)
OC12-90	1.5mm ² / 8A (30mA)	2.5mm ² / 16A (30mA)
OC24-50	1.5mm ² / 10A (30mA)	4mm ² / 20A (30mA)
OC24-80	2.5mm ² / 16A (30mA)	-

Let a.u.b op dat de informatie in deze tabellen overeenkomen met alle lokaal geldende voorschriften voor elektrische installaties.

- ③ Tot 3 accu banken kunnen worden aangesloten op deze lader. Elke uitgang kan de volledige nominale laadstroom leveren. De totale laadstroom van alle 3 uitgangen gecombineerd, kan nooit de maximaal gespecificeerde laadstroom overschrijden. Alle 3 uitgangen zijn onderling geïsoleerd van elkaar, middels zeer efficiënte actieve laadstroom verdelers.



WAARSCHUWING

Dit bedradingsschema toont een gemiddelde 'standalone' installatie. Er kunnen geen garanties gegeven worden v.w.b. overeenstemming met lokaal geldende veiligheidsvoorschriften. Let a.u.b. op dat de complete installatie volgens de geldende voorschriften opgebouwd is.



WAARSCHUWING

Dit klasse 1 product moet geaard worden! Verbind te allen tijde de PE of 'chassis aarde' aansluiting (aan de onderzijde van de behuizing) met met uw centrale aarde systeem (voertuig chassis, aardingsstelsel van voertuig etc.)



LET OP

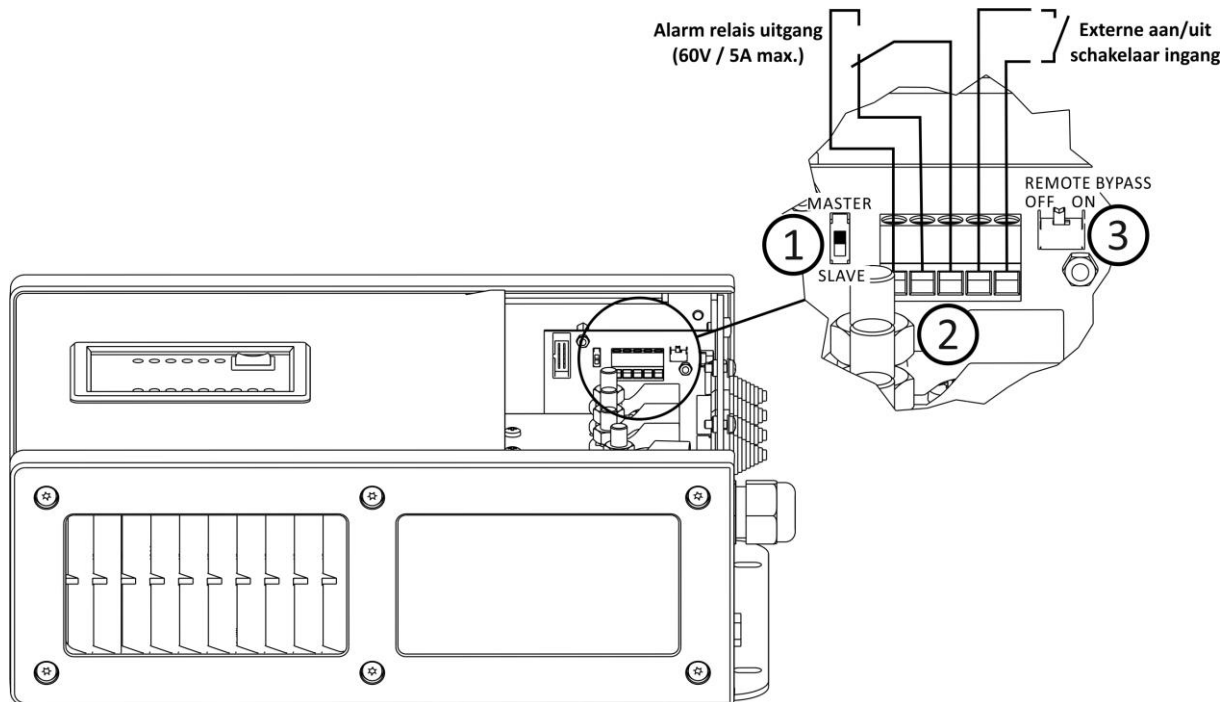
Sluit de min (-) kabel altijd direct op de minpool van de accu, of op de "belastingzijde" van een shunt aan. Houd de plus en min kabels altijd zo dicht mogelijk bij elkaar om elektromagnetische velden te minimaliseren. Controleer de polariteit zorgvuldig voordat u de accu aansluit op de Omnicharge acculader!

! LET OP

Voert u aub alle aansluit compartiment bedrading naar buiten via de plastic en rubber wartels.

2.4.1 Aansluitingen en instellingen op het "control board"

De volgende afbeelding toont de aansluitingen en schakelaar instellingen op het zogenaamde "control board".



- ① "Master/slave" schakelaar positie. Deze schakelaar moet op "MASTER" ingesteld worden, wanneer er één enkele acculader geïnstalleerd is. De "SLAVE" instelling is alleen relevant wanneer er meerdere laders parallel geschakeld gaan worden.
- ② 5 polige schroef klem. De eerste 3 posities staan in verbinding met respectievelijk de "normaal geopende-", "normaal gesloten-" en "common" contacten van het interne alarm relais. Dit relais wordt automatisch geactiveerd wanneer de lader uitschakelt vanwege een fout conditie. Als deze fout conditie is opgelost, wordt dit relais weer gedeactiveerd. De maximale schakelstroom en spanning zijn respectievelijk 5A en 60V.

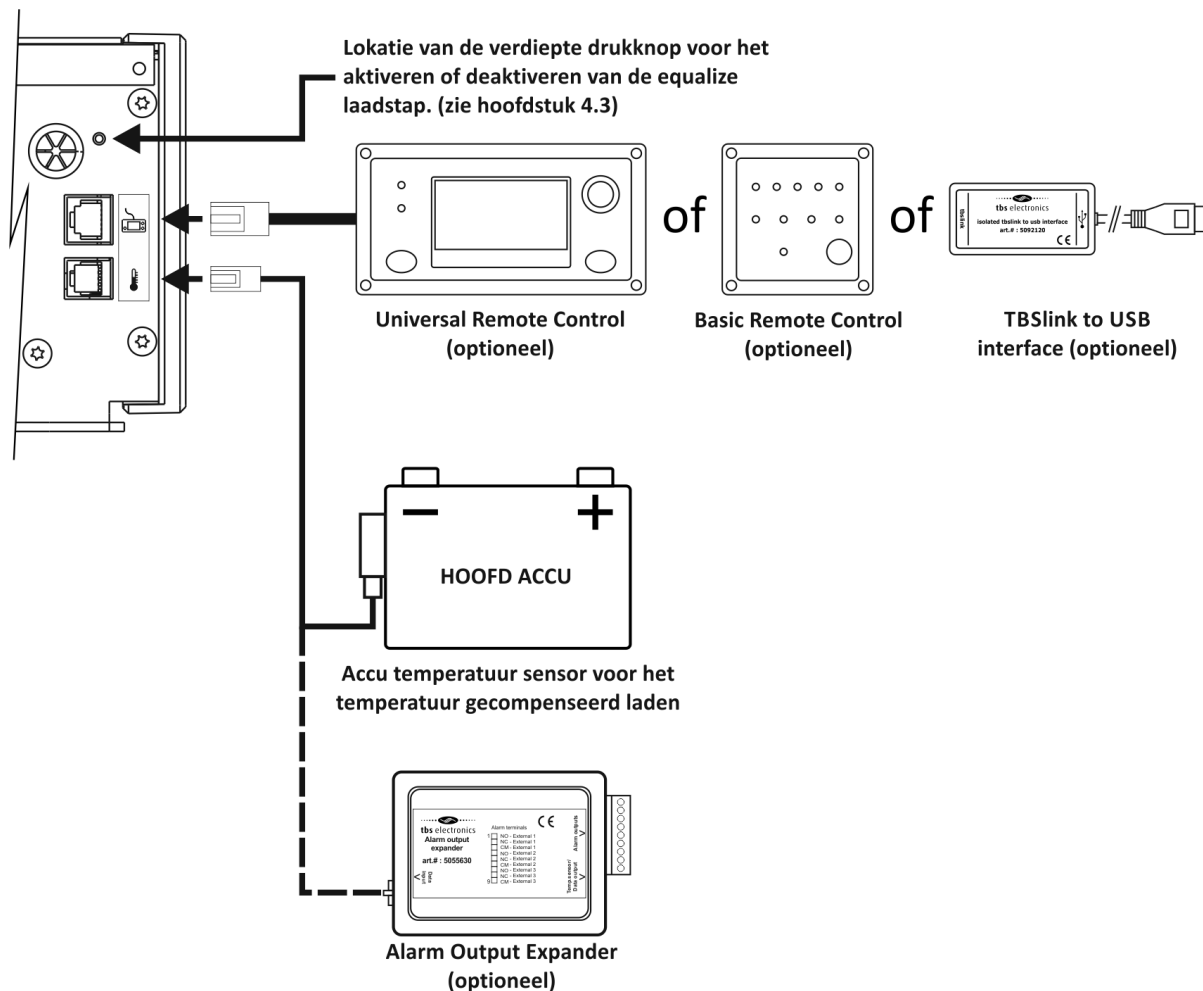
Op de posities 4 en 5 van deze schroefklem, kan een externe schakelaar worden aangesloten om de lader op afstand in- en uit te schakelen. De maximale draadlengte tussen de lader en deze schakelaar is 50 meter. Het wordt aanbevolen een kabeldikte van 1mm^2 voor deze bedrading toe te passen. Voor de externe schakelaar kan elk enkel polige type worden gebruikt. Er hoeft maar een klein stuursignaal geschakeld te worden met deze schakelaar.

- ③ Overbruggingschakelaar (Remote bypass) voor de externe aan/uit aansluiting. Wanneer er een externe aan/uit schakelaar is aangesloten op de 5 polige schroefklem,

moet de overbruggingsschakelaar op “OFF” gezet worden. Wanneer er geen externe schakelaar is aangesloten, moet de overbruggingsschakelaar op “ON” gezet worden.

2.4.2 Aansluitingen op de onderzijde

Zie de volgende afbeelding voor de aansluitingen op de onderzijde van de acculader.



2.5 Parallel schakelen van meerdere acculaders

Deze Omnicharge acculaders kunnen parallel geschakeld worden ter verhoging van de maximale laadstroom. Het maximaal aantal parallel te schakelen laders is 6. Tevens dienen alle parallel geschakelde laders van hetzelfde type te zijn. Deze gebruiksaanwijzing gaat verder niet in op de specifieke aansluitings- en bedieningsdetails van parallel geschakelde lader systemen. Deze details worden wel omschreven in de documentatie welke is bijgesloten in het optionele product “Omnicharge XL Parallel Kit (art.# 5029950)”.

3. HET CONFIGUREREN VAN DE ACCULADER

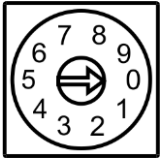


3.1 Selectie van het juiste laadprogramma

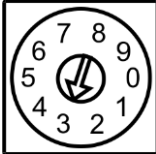
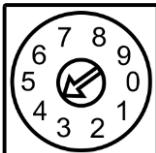
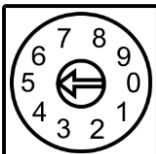
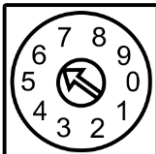
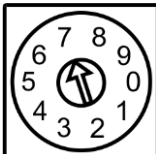
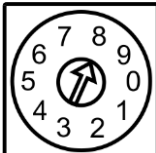
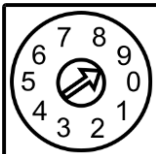
De afbeelding in hoofdstuk 2.4 toont de locatie van de accu type selector, welke moet worden gebruikt voor het selecteren van het gewenste laadprogramma. De laadprogramma keuze hangt samen met het accu type dat moet worden opgeladen. Elk accu type heeft specifieke eisen ten aanzien van bijvoorbeeld de bulk- en/of float spanningswaarden. De meest voorkomende accu typen worden standaard door de Omnicharge laders ondersteund. Wanneer het gewenste laadprogramma toch niet aanwezig is in de onderstaande lijst, kan de accu type selector in stand '0' gezet worden. Vervolgens kan er met behulp van de "Dashboard for Windows" software een eigen laadprogramma gecreëerd worden. Deze software is onderdeel van het optionele product "TBSLink to USB Communication Kit (art.# 5092120)". Met Dashboard kunnen alle beschikbare laadprogramma parameters aangepast en opgeslagen worden.

! LET OP

Een verkeerde accu type instelling, kan serieuze schade aanbrengen aan de accu of aan apparatuur welke ook op de accu zijn aangesloten. Raadpleeg te allen tijde de specificaties van de accu voor de correcte laadspanningen en stromen.

De volgende tabel toont de beschikbare accu typen plus bijbehorende parameter instellingen.

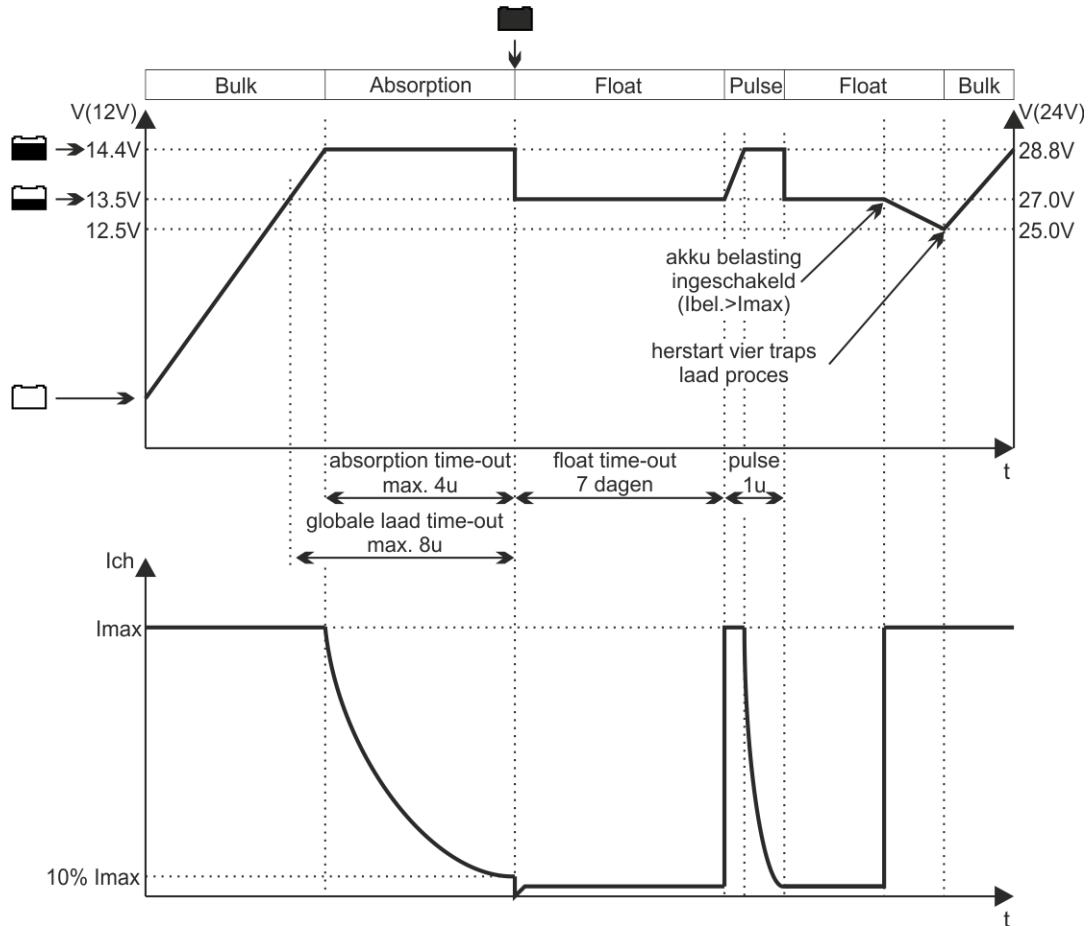
Selector Positie	Accu type	Spanning (12V/24V) en timer instellingen
 Positie 0	Custom (fabrieks instelling is 'leeg')	Af fabriek staat hierin geen laadprogramma opgeslagen. Sluit de lader aan op een PC via een TBSLink naar USB interface en creëer zelf een laadprogramma met TBS Dashboard. Als de selector op '0' wordt gezet zonder dat hierin een laadprogramma is opgeslagen, zal de lader een accu foutmelding geven.
 Positie 1	Open lood-zuur (fabrieksinstelling)	Bulk en absorptie spanning = 14.40V of 28.80V Float spanning = 13.50V of 27.00V Equaliseringsspanning = 15.80V of 31.60V Max. bulk timer = 8uur Max. absorptie timer = 4uur
 Positie 2	GEL	Bulk en absorptie spanning = 14.20V of 28.40V Float spanning = 13.50V of 27.00V Equaliseringsspanning = equaliseren niet beschikbaar Max. bulk timer = 8uur Max. absorptie timer = 4uur

 Positie 3	AGM <i>(ook voor de 'Optima SpiralCell')</i>	Bulk en absorptie spanning = 14.70V of 29.40V Float spanning = 13.65V of 27.30V Equaliseringsspanning = 15.50V of 31.00V Max. bulk timer = 8uur Max. absorptie timer = 4uur
 Positie 4	Lood Calcium	Bulk en absorptie spanning = 14.80V of 29.60V Float spanning = 13.50V of 27.00V Equaliseringsspanning = 15.80V of 31.60V Max. bulk timer = 16uur Max. absorption timer = 8uur
 Positie 5	LiFePO4	Bulk en absorptie spanning = 14.40V of 28.80V Float spanning = 13.80V of 27.60V Equaliseringsspanning = equaliseren niet beschikbaar Max. bulk timer = 12uur Max. absorptie timer = 12uur
 Positie 6	Leeg	Gereserveerd voor toekomstig gebruik. Wanneer toch geselecteerd, zal de lader een accu foutmelding geven.
 Positie 7	Leeg	Gereserveerd voor toekomstig gebruik. Wanneer toch geselecteerd, zal de lader een accu foutmelding geven.
 Positie 8	Leeg	Gereserveerd voor toekomstig gebruik. Wanneer toch geselecteerd, zal de lader een accu foutmelding geven.
 Positie 9	Leeg	Gereserveerd voor toekomstig gebruik. Wanneer toch geselecteerd, zal de lader een accu foutmelding geven.

Deze gebruiksaanwijzing beschrijft enkel de accu type selector instellingen en alle relevante standaard fabrieksinstellingen. Configuratie m.b.v. TBS Dashboard zal worden uitgelegd in de TBS Dashboard gebruiksaanwijzing, geleverd bij de "TBSLink to USB Communication Kit".

3.2 Laadprogramma's

Alle standaard te selecteren laadprogramma's, verrichten een viertraps luoUoP laad proces bestaande uit een "Bulk", een "Absorption", een "Float" en een "Pulse" fase. De volgende afbeelding toont het viertraps laad proces :



In de Bulk fase levert de lader de volledige laadstroom en zal de accu tot gemiddeld zo'n 80% opladen wanneer de absorptie spanning is bereikt. Gedurende deze fase lichten Indicatoren 3d en 3c op (zie frontpaneel afbeelding in hoofdstuk 4.1), afhankelijk van de voortgang.

Wanneer de absorptie spanning is bereikt, zal de absorptie fase aanvangen waarbij ook indicator 3b op zal lichten. Deze fase zal de overige 20% van de accu capaciteit aanvullen. De uitgangsspanning wordt hierbij constant gehouden en de laadstroom zal afnemen als gevolg het steeds voller worden van de accu. Wanneer de laadstroom is afgenomen tot onder een bepaalde waarde of wanneer de maximale absorptie timer is verstreken, zal de float fase aanvangen.

Indicator 3a zal oplichten en er klinkt een akoestische melding om aan te geven dat de accu vol is. In deze fase wordt de accu spanning constant gehouden op een waarde welke veilig is voor de accu. Dit zorgt ervoor dat de accu in optimale conditie blijft zolang deze staat aangesloten op de geactiveerde lader. Aangesloten accu belastingen worden direct door de lader gevoed tot aan de maximale uitgangsstroom van de lader. Wanneer meer dan deze

maximale stroom wordt gevraagd door de belasting, zal de accu dit moeten bijleveren wat resulteert in een dalende accu spanning. Vanaf een bepaalde accu spanning, zal de lader terugspringen naar de bulk fase en wederom een compleet viertraps laad proces uitvoeren wanneer de belastingsstroom weer gedaald is tot onder de maximale laadstroom van de lader.

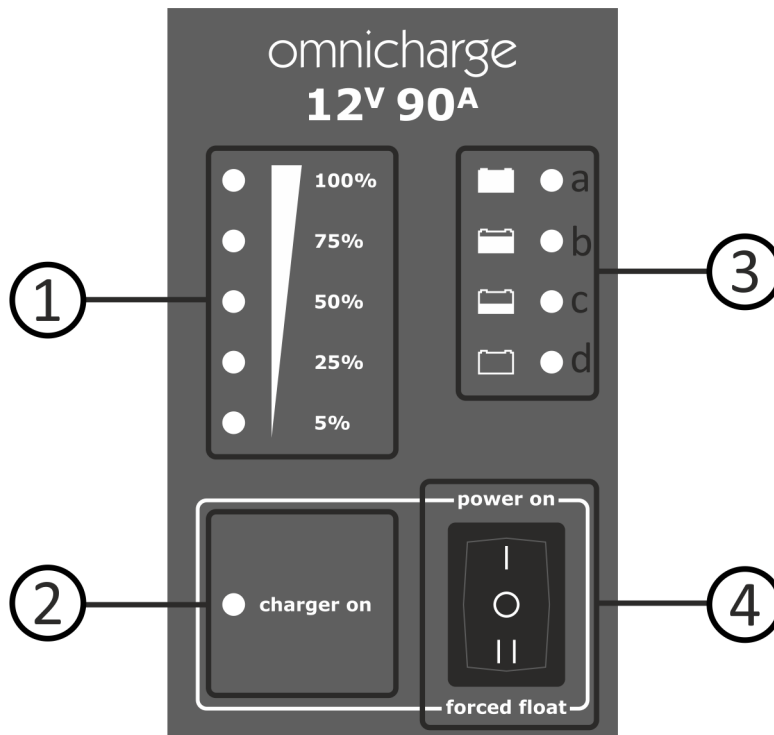
Een vierde fase genaamd pulse activeert, zolang de lader opereert in de float fase, elke 7 dagen een kort laadproces van ca. 1 uur. Dit houdt de accu in optimale conditie en verlengt daarnaast de levensduur. De accu kan dus aangesloten blijven op de geactiveerde lader zonder enig risico op overlading.

Wanneer de accu temperatuur sensor geïnstalleerd is, zal de lader automatisch de laad spanningen compenseren tegen temperatuur. Dit betekent dat de laad spanningen licht stijgen bij lagere temperaturen en dalen bij hogere temperaturen ($-30\text{mV}/^{\circ}\text{C}$ bij 12V modellen en $-60\text{mV}/^{\circ}\text{C}$ bij 24V modellen). Op deze manier wordt overlading voorkomen wat de levensduur van de accu verlengt.

4. ALGEMENE WERKING

4.1 Omnicharge display en bedieningsoverzicht

In de volgende afbeelding ziet u een overzicht van alle indicatoren op het Omnicharge frontpaneel, plus de locatie van de hoofdschakelaar.



Het frontpaneel kan worden onderverdeeld in vier secties :

- ① Uitgangsstroom indicator. Toont het uitgangsstroom nivo in procenten.
- ② Modus indicator. Toont de modus waarin de lader opereert.

Indicator modus	Omschrijving
Groen continu	Lader aan, normale modus
Rood knipperend (1x per sec.)	Accu fout <i>Een accu fout kan om diverse redenen optreden. Deze zijn : accu spanning is te laag (te diep ontladen) of te hoog en accu temperatuur is te laag of te hoog (alleen beschikbaar i.c.m. de accu temperatuur sensor). De lader zal niet automatisch herstarten tijdens een accu fout, tenzij de fout werd veroorzaakt door een te lage accu spanning of een te lage accu temperatuur.</i>
Rood knipperend (2x per sec.)	Te hoge of lage AC ingangsspanning <i>De aangeboden netspanning valt buiten het werkingsgebied van de acculader.</i>

Rood knipperend (3x per sec.)	Te hoge lader temperatuur <i>De lader heeft een te hoge temperatuur bereikt. Deze zal automatisch herstarten wanneer de temperatuur onder een acceptabel nivo is gezakt.</i>
Rood knipperend (4x per sec.)	Lader fout <i>Er is een interne fout geconstateerd. De lader moet worden geretourneerd voor service.</i>


③ Laadstatus indicator. Toont een grove indicatie van de laad voortgang :

LED 3a : accu 100% vol (gereed)
 LED 3b : accu 80% vol
 LED 3c : accu 50% vol
 LED 3d : accu leeg

④ Aan/uit- en 'forced float' schakelaar.

Schakelaar positie	Omschrijving
"0"	Lader uit <i>Deze schakelaar positie onderbreekt de interne AC circuits niet! Dit betekent dat er nog steeds gevaarlijke spanningen aanwezig zijn binnen in de lader! Met de schakelaar in positie "0" zal de lader een kleine stroom uit het net blijven consumeren.</i>
"I"	Lader aan in (normale-) automatische laadmodus
"II"	Lader aan in 'forced float' modus <i>In deze modus wordt de uitgangsspanning van de lader constant op het float spanningsnivo gehouden (waarde is afhankelijk van het geselecteerde accu type), waarbij de volledige laadstroom capaciteit beschikbaar blijft. Aangezien er geen automatisch laadprogramma loopt in deze modus, kan deze worden gebruikt voor het laden met constante spanning of om de lader als voeding te gebruiken.</i>

4.2 Het laden van accu's

 **LET OP**

Lees voordat u start met het laden van accu's, eerst alle bijgesloten veiligheidsinstructies en waarschuwingen.

Hieronder volgt een opsomming van de te volgen stappen voor het laden van accu's :

1. Zet de hoofdschakelaar in stand "0" (uit) en onderbreek de AC ingangsspanning naar de lader.
2. Ontkoppel, wanneer mogelijk, alle belastingen welke op de accu zijn aangesloten.
3. Sluit de accu aan op de lader.

4. Schakel het AC circuit weer in en activeer de lader door de hoofdschakelaar in positie "I" (aan) te zetten. Na een akoestische melding zal de lader starten met het laadproces.
5. Als het laadproces is voltooid dient u voordat de accu wordt afgekoppeld, het AC circuit te onderbreken en de hoofdschakelaar in stand "0" te zetten. In vaste systemen kunt u alles ongemoeid laten en wederom de accu belasting inschakelen.

4.3 Het equaliseren van een accu

Wanneer u een lood accu gebruikt, zou het af en toe equaliseren van deze accu aangeraden kunnen worden door de accu fabrikant. Dit zou ook kunnen gelden wanneer de accu te diep ontladen is geweest, of regelmatig onvolledig geladen wordt. Gedurende een equaliserings lading, zal de accu geladen worden tot ca. 15.5V (of 31V bij 24V modellen) bij een gereduceerd uitgangsstroom nivo. Voordat een equaliseringslading gestart wordt, dienen de onderstaande waarschuwingen eerst gelezen te worden :



LET OP

Een equaliseringslading mag alleen worden verricht op een lood accu welke een dergelijk proces toestaat. Om deze reden laat de Omnicharge alleen een equaliseringslading toe wanneer de accu type selector ingesteld staan op 'open lood-zuur' (Flooded), 'AGM' of 'Lood Calcium'. Andere accu types zoals 'GEL' en 'LiFePo4' raken beschadigd wanneer deze worden blootgesteld aan een equaliseringsfase. Let op dat niet alle AGM en Lood Calcium accu fabrikanten een equaliseringsfase toestaan. Volg altijd de instructies van de accu fabrikant op bij het equaliseren.

Tijdens een equaliseringsfase, genereert de accu explosieve gassen. Volg alle accu veiligheidsvoorschriften op, welke zijn bijgesloten bij deze lader. Ventileer de omgeving rond de accu voldoende en vermijd vonken en vlammen in de buurt van de accu.

Ontkoppel alle belastingen van de accu tijdens het equaliseren. De laadspanning tijdens deze fase kan namelijk te hoog zijn voor sommige belastingen.

De Omnicharge kan niet automatisch bepalen wanneer de equaliseringsfase beëindigd moet worden. De gebruiker dient het soortelijk gewicht van het zuur gedurende dit proces in de gaten te houden, om het einde van de equaliseringsfase te bepalen. De interne 1 uur timer van de Omnicharge is alleen bedoeld als veiligheidsoptie, maar zou te lang kunnen duren om accu schade te voorkomen. Om deze reden moet het equaliseren altijd worden bijgestaan door de gebruiker.

Zoals hierboven is uitgelegd, zal de Omnicharge alleen een equaliseringslading toestaan wanneer er een accu type geselecteerd is welke dit proces zou kunnen ondersteunen. Hiernaast dient de lader ook eerst een volledig laadproces te hebben afgerond en te opereren in de float fase. Wanneer aan deze twee condities is voldaan, kan de equaliseringsfase worden geactiveerd door de verdiepte equaliserings drukknop aan de onderkant van de lader (zie afbeelding in hoofdstuk 2.4.2) voor drie seconden ingedrukt te houden, totdat de laad status indicator gaat knipperen.

De lader staat een maximale equaliseringstijd toe van 1 uur, voordat deze automatisch weer terug stapt naar de float fase. Als het soortelijk zuur gewicht nog niet het door de accu fabrikant aangegeven nivo heeft bereikt, kan er een nieuwe 1 uur durende equaliseringsfase worden gestart door de drukknop wederom voor 3 seconden in te drukken. Hierbij dient continu het soortelijk zuur gewicht in de gaten te worden gehouden. Wanneer dit gewicht correct is, kan de equaliseringsfase manueel worden beëindigd door de drukknop kort in te drukken. De lader zal dan weer terug stappen naar de float fase.

5. STORINGSTABEL

Zie de tabel hieronder wanneer u problemen ondervindt met de Omnicharge en/of de installatie.

Probleem	Mogelijke oorzaak	Oplossing
Omnicharge werkt niet.	Hoofdschakelaar staat in Off (0) positie.	Zet de hoofdschakelaar in de 'I' of 'II' positie.
	Remote switch of TBS Remote Control heeft de Omnicharge uitgeschakeld.	Activeer de Omnicharge op afstand of controleer de 'Remote Bypass' schakelaar op de juiste instelling.
	Slecht contact tussen de Omnicharge DC kabels en de accu polen.	Zorg voor schone accu polen en kabel ogen. Draai alle DC verbindingsschroeven goed aan.
	Defecte DC zekering.	Controleer de accu zekering of de interne DC zekering van de Omnicharge.
	Slechte accu conditie.	Vervang de accu.
De accu wordt niet geheel volgeladen	Incorrecte instelling van de absorptie spanning.	Controleer de accu type selector op de juiste instelling. Of wijzig de absorptie spanning met behulp van TBS Dashboard.
	Incorrecte laadstroom instelling.	Stel de laadstroom correct af met behulp van de Universal Remote Control of TBS Dashboard. Gemiddeld genomen dient de laadstroom ingesteld te worden op 10%-20% van de totale accu capaciteit.
	Te veel spanningsverliezen in de accu kabels en/of accu aansluitingen.	Zorg ervoor dat de accu kabels voldoende capaciteit (kwadratuur) hebben. Controleer of alle accu aansluitingen solide en corrosie vrij zijn.
	Belasting op de accu verbruikt teveel stroom gedurende het laden.	Schakel de belasting uit, of ontkoppel deze van de accu.

Laadstroom is te laag.	Hoge omgevingstemperatuur	Probeer de temperatuur rond de Omnicharge te verlagen.
	Lader opereert in de absorptie laadfase.	Doe niets. De accu is bijna volledig opgeladen en verbruikt daardoor minder stroom van de lader.
Laadspanning is te laag	De laadspanning wordt gecompenseerd door de accu temperatuur sensor om uw accu te beschermen.	Doe niets of probeer de omgevingstemperatuur rond de accu te reduceren.
	Incorrect laadprogramma geselecteerd, of custom laadprogramma moet worden aangepast..	Selecteer het juiste laad programma of pas het custom laadprogramma aan m.b.v. TBS Dashboard.
	Accu kabels te dun.	Installeer dickere accu kabels. Zie de accu kabel tabel in hoofdstuk 2.4.
	Accu belastingsstroom is hoger dan dan de lader uitgangsstroom.	Reduceer of verwijder de accu belasting.
Rode LED 'charger on' geeft één flits per keer (accu fout).	Accu spanning is te laag (moet > 6V@12V of > 12V@24V systemen zijn).	Accu is defect, vervang deze. Of de accu is zeer diep ontladen. Laat deze dan herstellen tot boven de 6V (12V@24V). De Omnicharge zal eens in de ca. 30sec. proberen te herstarten.
	Accu spanning is te hoog (> 15% van de ingestelde spanning).	Controleer of een externe bron op het DC systeem de accu spanning teveel laat stijgen.
	Accu temperatuur is te laag of te hoog (alleen relevant wanneer de accu temperatuur sensor is aangesloten).	Controleer en probeer de omgevingstemperatuur rond de accu te reguleren. Controleer of de temperatuur sensor niet is beschadigd.
Rode LED 'charger on' geeft twee flitsen per keer (AC fout).	De aangeboden netspanning is te laag of te hoog.	Zorg er voor dat de aangeboden netspanning zich binnen het werkingsgebied van de lader bevind.

Rode LED 'charger on' geeft drie flitsen per keer (hoge lader temperatuur fout).	Luchtstroom rond de lader is geblokkeerd.	Zorg voor minstens 10 centimeter ruimte om de lader. Verwijder eventuele voorwerpen die op of over de lader liggen. Houd de lader uit direct zonlicht of warmte producerende apparatuur.
	Te hoge omgevingstemperatuur.	Verplaats de lader naar een koelere plaats of zorg voor extra koeling met een extra externe ventilator.
Rode LED 'charger on' geeft vier flitsen per keer (algemene lader fout).	Er is een interne fout geconstateerd.	De lader moet worden geretourneerd voor service.

Wanneer geen van de bovenstaande oplossingen werken, kunt het beste contact opnemen met een lokale TBS distributeur voor verdere assistentie en/of reparatie van uw Omnicarge lader. Haal de Omnicarge nooit zelf uit elkaar, aangezien er gevaarlijke spanningen aanwezig kunnen zijn aan de binnenzijde. Tevens zal dit direct uw recht op garantie ongeldig verklaren.

6. TECHNISCHE SPECIFICATIES

Parameter	OC12-90	OC24-50	OC24-80
AC ingangsspanning	100-260Vac / 47-63Hz / PF > 0.9		180-260Vac
Vollast verbruik	1550VA	1700VA	2750VA
AC ingangsstroom (115V/230V)	13.5A / 6.8A	15A / 7.5A	- / 12A
Totale laadstroom ^{1) 4)}	90A	50A	80A
Nominale uitgangsspanning ¹⁾	12Vdc	24Vdc	
Aantal uitgangen	3 (intern gescheiden)		
Laad karakteristiek ²⁾	IUoUoP, intelligent 4-traps, temp. gecompenseerd		
Standaard absorptie spanning ²⁾	14.4Vdc	28.8Vdc	
Standaard float spanning ²⁾	13.5Vdc	27.0Vdc	
Standaard equaliseringspanning ²⁾	15.8Vdc	31.6Vdc	
Ondersteunde accu types ²⁾	Open lood-zuur / Gel / AGM / LiFePO4 / Custom		
Aanbevolen accu capaciteit ³⁾	180-900Ah	100-500Ah	160-800Ah
DC stroomverbruik (lader uit)	< 0.1mA		
Aanbevolen omgevingstemperatuur	-10°C...+55°C (RH max. 90% niet condenserend)		
Aanbevolen opslagtemperatuur	-20°C...+70°C (RH max. 90% niet condenserend)		
Koeling	Snelheidsgergelde ventilator		
TBSLink compatible	Ja		
Beveiligd tegen	Lage AC ingangsspanning, kortsluiting, hoge temperatuur, accu overlading en ompoling (m.b.v. zekering)		
Indicatoren	Aan, uitgangsstroom nivo, laadstatus en fout modus		
DC uitgangsconnector	4x M8 bouten		
AC ingangsconnector	Schroefklemmen		
Afmetingen (HxBxD)	370 x 271 x 132mm		
Totaal gewicht	6.2kg		
Beschermingsklasse	IP21 (verticaal gemonteerd)		
De lader voldoet aan de volgende normen	CE gemarkeerd. EMC : EN55016-2-1(/A1), EN55016-2-3(/A1), EN 61000-4-2(3/4/5/6). Safety : EN60335-1, EN60335-2-29		

N.B. : bovenstaande gegevens kunnen zonder aankondiging van de fabrikant veranderen

- 1) Maximale uitgangsstroom tolerantie is +/- 5%. Maximale spanningsafwijkingen zijn +/- 1%. Alle spanningen zijn temperatuur gecompenseerd wanneer de accu temperatuur is aangesloten.
- 2) Waarde is programmeerbaar.
- 3) Respecteer altijd de door de accu fabrikant gespecificeerde maximale laadstroom.
- 4) Bij hogere omgevingstemperaturen (>40°C) kan de maximale laadstroom reduceren.



Neem bij de verwijdering van oude producten de lokale wetgeving in acht en plaats deze producten niet bij het gewone huishoudelijke afval. Als u oude producten correct verwijdert, voorkomt u negatieve gevolgen voor het milieu en de volksgezondheid.

7. GARANTIE / AANSPRAKELIJKHEID FABRIKANT

TBS Electronics (TBS) garandeert dit product vrij van defecten veroorzaakt in de assemblage of door de gebruikte materialen, tot 24 maanden na de aankoop datum. Gedurende deze periode neemt TBS de kosten van eventuele reparatie voor zijn rekening. TBS is niet verantwoordelijk voor de transportkosten van dit product.

Deze garantie vervalt wanneer dit product fysiek beschadigd is zowel extern als intern, als er iets aan het oorspronkelijk apparaat veranderd is of als de behuizing door een niet gemachtigd persoon is geopend. Deze garantie dekt geen kosten veroorzaakt door onjuist gebruik¹⁾, of door gebruik in niet geschikte omgevingen.

Deze garantie is niet geldig wanneer dit product wordt misbruikt, verwaarloosd, onjuist geïnstalleerd of gerepareerd door iemand anders dan door TBS is aangewezen. De fabrikant is niet verantwoordelijk voor enig verlies, schade of kosten voortvloeiende uit onjuist gebruik of installatie van dit product, gebruik in niet geschikte omgevingen en product storing.

Omdat de fabrikant geen controle kan uitvoeren op het gebruik en de installatie (volgens de lokaal geldende voorschriften) van de TBS producten, is de eindgebruiker ten alle tijden aansprakelijk voor het gebruik van de TBS producten. TBS producten zijn niet ontworpen voor toepassing als kritisch component in (medische-) apparatuur of systemen die een potentieel gevaar kunnen vormen voor mens, natuur en milieu. De eindgebruiker is ten alle tijden verantwoordelijk voor de toepassing van TBS producten in deze applicaties. De fabrikant accepteert geen verantwoordelijkheid voor mogelijke inbreuk op patenten of andere rechten van derden, verbonden aan het gebruik van TBS producten. De fabrikant behoudt het recht om product specificaties te wijzigen zonder voorafgaande aankondiging.

¹⁾ Enkele voorbeelden van onjuist gebruik zijn :

- Het aanbieden van een te hoge AC ingangsspanning
- Het verkeerd om aansluiten van de accu kabels
- Het aansluiten van niet geschikte accu's
- Mechanisch te zwaar belaste behuizing en/of interne onderdelen, vanwege misbruik of incorrecte verpakking
- Contact met vloeistoffen of oxidatie door condensatie

8. CONFORMITEITSVERKLARING

Zie pagina 24

INHALTSÜBERSICHT

1. EINLEITUNG	47
2. INSTALLATION	48
2.1 Auspacken	48
2.2 Montage.....	48
2.3 Zugriff auf den Anschlussfach	49
2.4 Verbindungsdetails.....	50
2.4.1 Steuer PCB Anschlüsse und Einstellungen	52
2.4.2 Unterseite Verbindungen.....	53
2.5 Parallel Betrieb	53
3. KONFIGURATION DER OMNICHARGE LADEGERÄT	54
3.1 Auswahl des richtigen Ladeprogramms	54
3.2 Ladeprogramme	56
4. BETRIEBSANLEITUNG	58
4.1 Omnicharge LED-Anzeigen und Error Modes	58
4.2 Batterien aufladen.....	59
4.3 "Equalize" (Ausgleichsladung) Modus.....	60
5. RICHTLINIEN ZUR FEHLERSUCHE	62
6. TECHNISCHE SPEZIFIKATIONEN	65
7. GARANTIE / HAFTUNGSBESCHRÄNKUNG	66
8. KONFORMITÄTSERKLÄRUNG	66

1. EINLEITUNG

Vielen Dank, dass Sie eine TBS Electronics (TBS) Omnicharge Ladegerät erworben haben. Bitte lesen Sie diese Bedienerhandbuch, um weitere Informationen zur richtigen und sicheren Verwendung des Produkts zu erhalten. Bewahren Sie diese Bedienerhandbuch und alle zugehörigen Dokumentationen für zukünftige Referenzen auf. Um die aktuellste Revision zu erhalten, überprüfen Sie bitte den Abschnitt Downloads auf unserer Internetseite.

Der Zweck dieser Bedienungsanleitung ist die Bereitstellung von Erklärungen und Verfahren zur Installation, Konfiguration und zum Betrieb des Batterieladegeräts. Die Installationsanweisungen sind für Installierer gedacht, die über Kenntnisse und Erfahrungen bei der Installation von Elektroausrüstung, Kenntnisse über geltende Installationscodes und ein Bewusstsein für die Gefahren bei der Durchführung von Elektroarbeiten und deren Verringerung verfügen.



WARNUNG

Bevor Sie mit dieser Bedienerhandbuch fortfahren, stellen Sie bitte sicher, dass Sie den beigefügten Flyer mit Sicherheitshinweisen sorgfältig gelesen haben!

2. INSTALLATION

2.1 Auspacken

Im Lieferumfang des Ladegeräts sollten folgende Artikel enthalten sein :

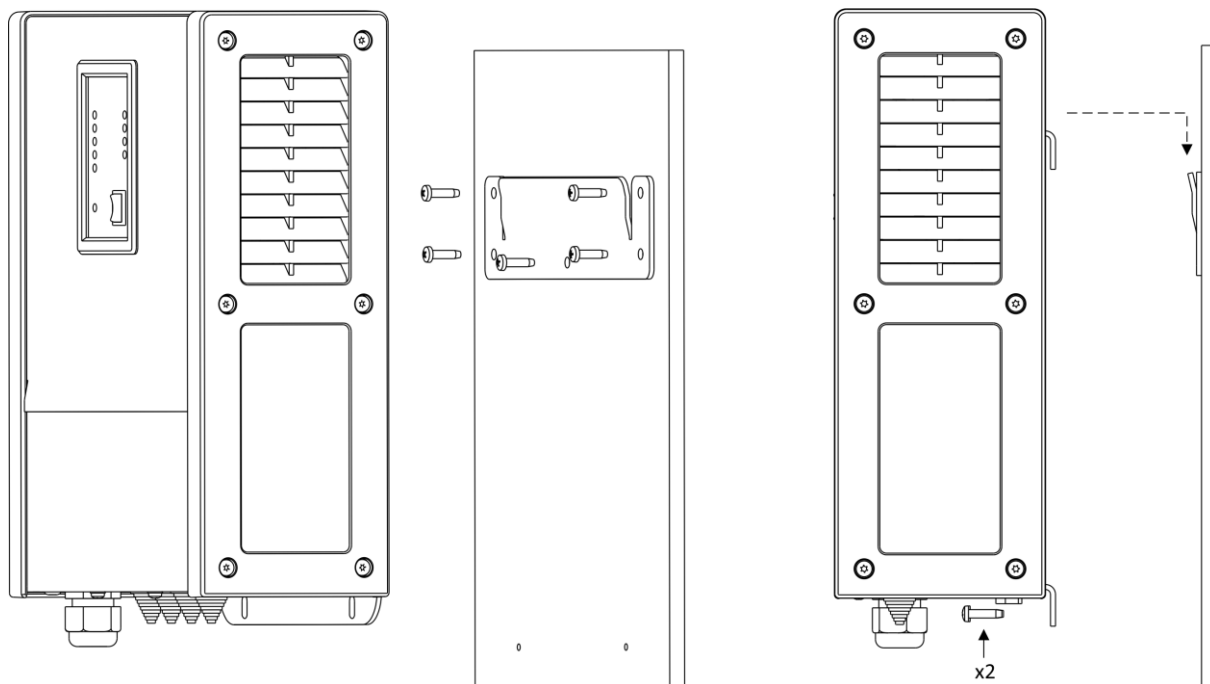
- Batterieladegerät
- Wandhalterung
- 3m Temperatursensor
- Bedienerhandbuch
- Sicherheitsbroschüre
- Ladegerät Warnaufkleber
- 2x M8 Quetschkabelschuhe
- 7x Befestigungsschrauben

! VORSICHT

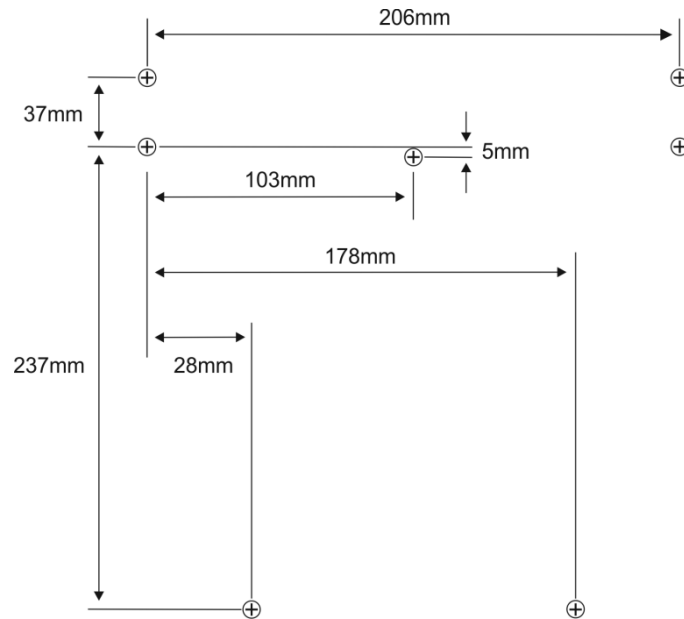
Überprüfen Sie dieses Gerät nach dem Auspacken auf mechanische Schäden. Das Gerät nicht verwenden, wenn das Gehäuse sichtbare Schäden aufgrund unsachgemäßen Gebrauchs aufweist, oder wenn das Gerät aus Versehen fallengelassen wurde. Wenden Sie sich für weitere Informationen an Ihren Händler.

2.2 Montage

Bitte sehen Sie das Bild unten für das Montageverfahren.



Die Abbildung auf der nächsten Seite zeigt die Abstände der Bohrungen zueinander.



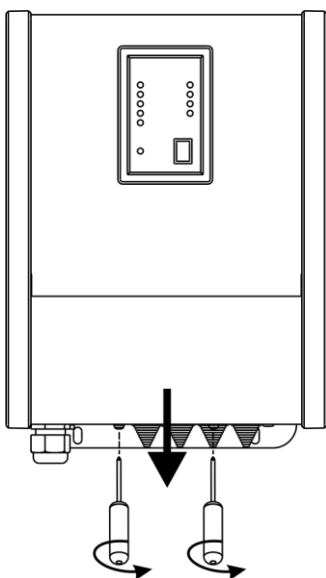
! VORSICHT

Halten Sie zu Kühlungszwecken einen Freiraum von 10 cm um dieses Produkt ein!
 Montieren Sie das Produkt immer in aufrechter Stellung. Eine Bodenmontage ist ebenfalls gestattet, die Voraussetzung ist, dass alle 7 Schrauben verwendet werden, um das Gehäuse zu sichern.

⚡ WARNUNG

Um die Gefahr einer Explosion zu vermeiden, verwenden Sie dieses Gerät nicht an Orten mit Gas- oder Staubexplosionsgefahr oder wo Zündschutzrüstungen vorgeschrieben sind. Das Gerät nicht direkt auf der Batterie oder umgekehrt installieren!

2.3 Zugriff auf den Anschlussfach

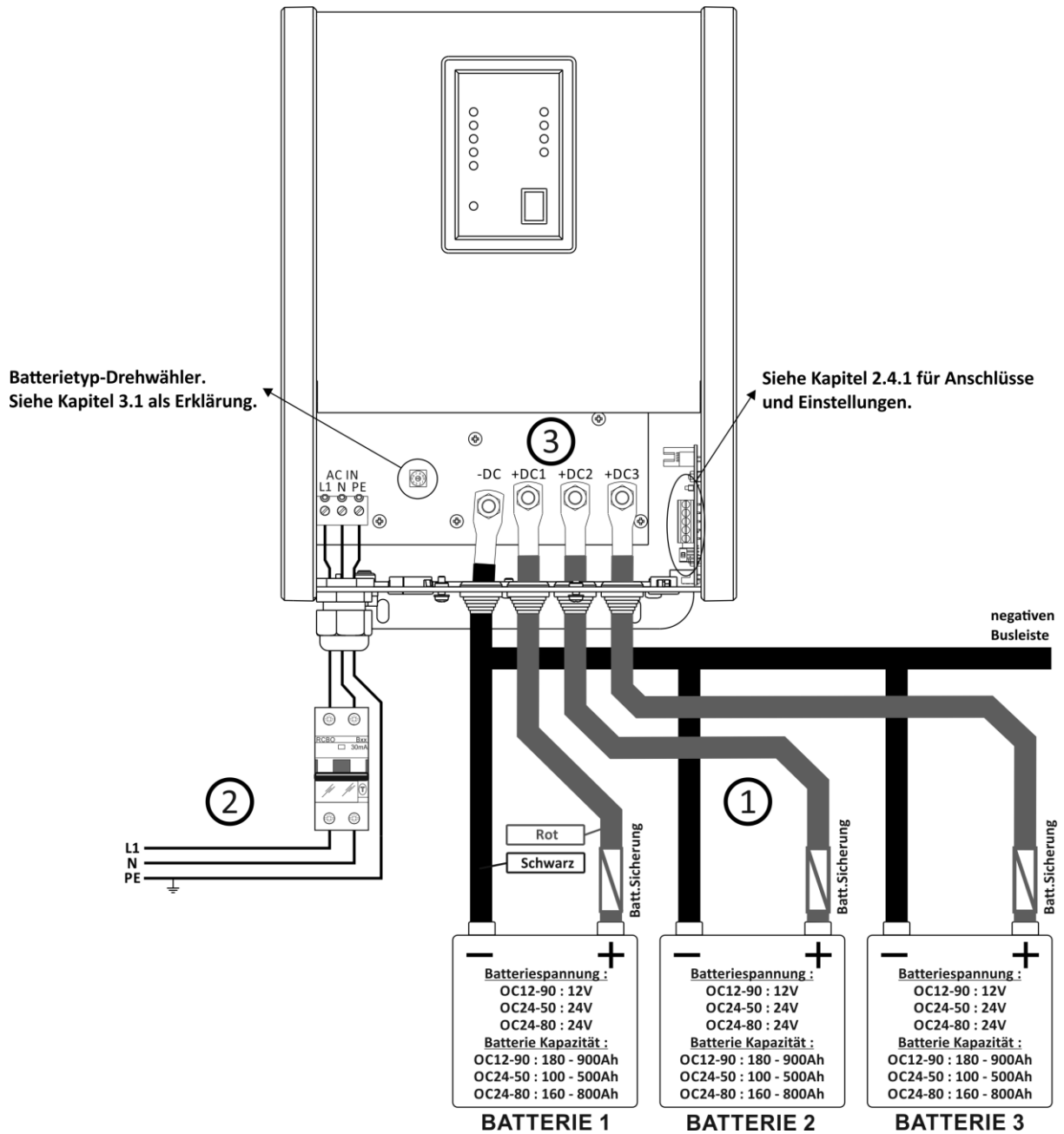


Um Zugang zum Anschlussfach zu erhalten, entfernen Sie die beiden Schrauben, die links angezeigt sind, und schieben die rote Abdeckung des Anschlussfachs nach unten.

Betreiben Sie dieses Produkt niemals ohne diese Abdeckung.

2.4 Verbindungsdetails

Bitte sehen Sie das Bild unten für die Verbindungsdetails.



- ① Bitte prüfen Sie die nachfolgende Tabelle, um die korrekte Batteriekabel- und Sicherungsgröße für jedes Modell zu bestimmen. Die Verwendung einer geringeren Kabelgröße oder eines längeren Kabels verursacht zusätzliche Verluste und kann zu einer unsachgemäßen Ladung der Batterien führen. Es bestehen Brand- und Verbrennungsgefahr, wenn die Batteriekabel keine ausreichende Größe für den erwarteten Strom aufweisen. Eine Batteriekabellänge, die 6 Meter überschreitet, wird nicht empfohlen.

Modell	Kabelgröße (bei länge ≤ 3 m)	Kabelgröße (bei länge 3 bis 6 m)	Batteriesicherung (schnelle Version)
OC12-90	35mm ²	50mm ²	100-120Amp
OC24-50	25mm ²	35mm ²	60-80Amp
OC24-80	35mm ²	50mm ²	100-120Amp

- ② Der AC-Eingang muss durch einen Fehlerstromschutzschalter mit Überstromschutz (RCBO) geschützt werden, der dem maximalen Nennstromverbrauch vom Ladegerät ohne Ausklinken widerstehen kann. Die gesamte AC-Verdrahtung muss die entsprechende Größe aufweisen. Bitte lesen Sie die nachfolgende Tabelle, um die korrekte AC-Verdrahtung und die RCBO-Größen zu bestimmen.

Modell	AC-Verdrahtung / RCBO Größe (220-240VAC)	AC-Verdrahtung / RCBO Größe (100-120VAC)
OC12-90	1.5mm ² / 8A (30mA)	2.5mm ² / 16A (30mA)
OC24-50	1.5mm ² / 10A (30mA)	4mm ² / 20A (30mA)
OC24-80	2.5mm ² / 16A (30mA)	-

Bitte stellen Sie sicher, dass die Informationen in dieser Tabelle mit allen lokal geltenden elektrotechnischen Vorschriften übereinstimmen.

- ③ Es können bis zu 3 Batterien am Ladegerät angeschlossen werden. Jeder Ausgang kann den vollständigen Nennladestrom liefern. Der gesamte kombinierte Ladestrom aller Ausgänge, darf niemals den maximalen Nennladestrom überschreiten. Alle 3 Ausgänge sind durch hocheffiziente Gleichrichter voneinander isoliert.



WARNUNG

Die Zeichnung oben zeigt eine typische Einzelinstallation. Es werden keine Garantien zur Übereinstimmung mit örtlichen ElektroRegeln gegeben. Bitte stellen Sie sicher, dass die komplette Installation in Übereinstimmung mit allen lokal geltenden Elektro Regeln erfolgt.



WARNUNG

Dieses Klasse I-Produkt muss geerdet werden! Schließen Sie immer den PE-Draht oder die Chassis-Erdungsschraube am Boden des Gehäuses an.



VORSICHT

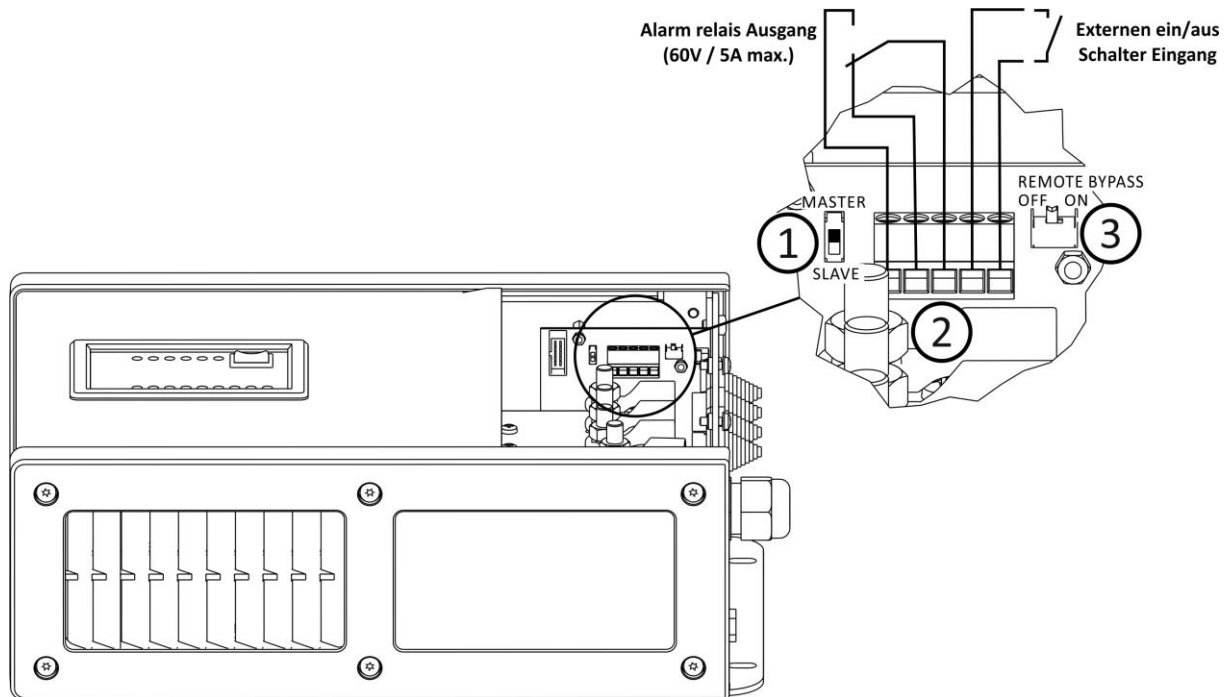
Verbinden Sie das negative (-) Kabel direkt mit dem negativen Pol der Batterie, oder schließen Sie es an die "Lastseite" eines Shunt an. Lassen Sie die positiven und negativen Kabel nah beieinander, um das elektromagnetische Feld gering zu halten. Überprüfen Sie vor dem Anschluss der Kabel an die Batterie mehrmals die korrekte Polarität.

! VORSICHT

Führen Sie alle Kabel des Anschlussfachs durch die Gummitüllen und die Plastikstopfbuchse.

2.4.1 Steuer PCB Anschlüsse und Einstellungen

Die folgende Abbildung zeigt die Anschlüsse der Steuer PCB und die Schalteroptionen.



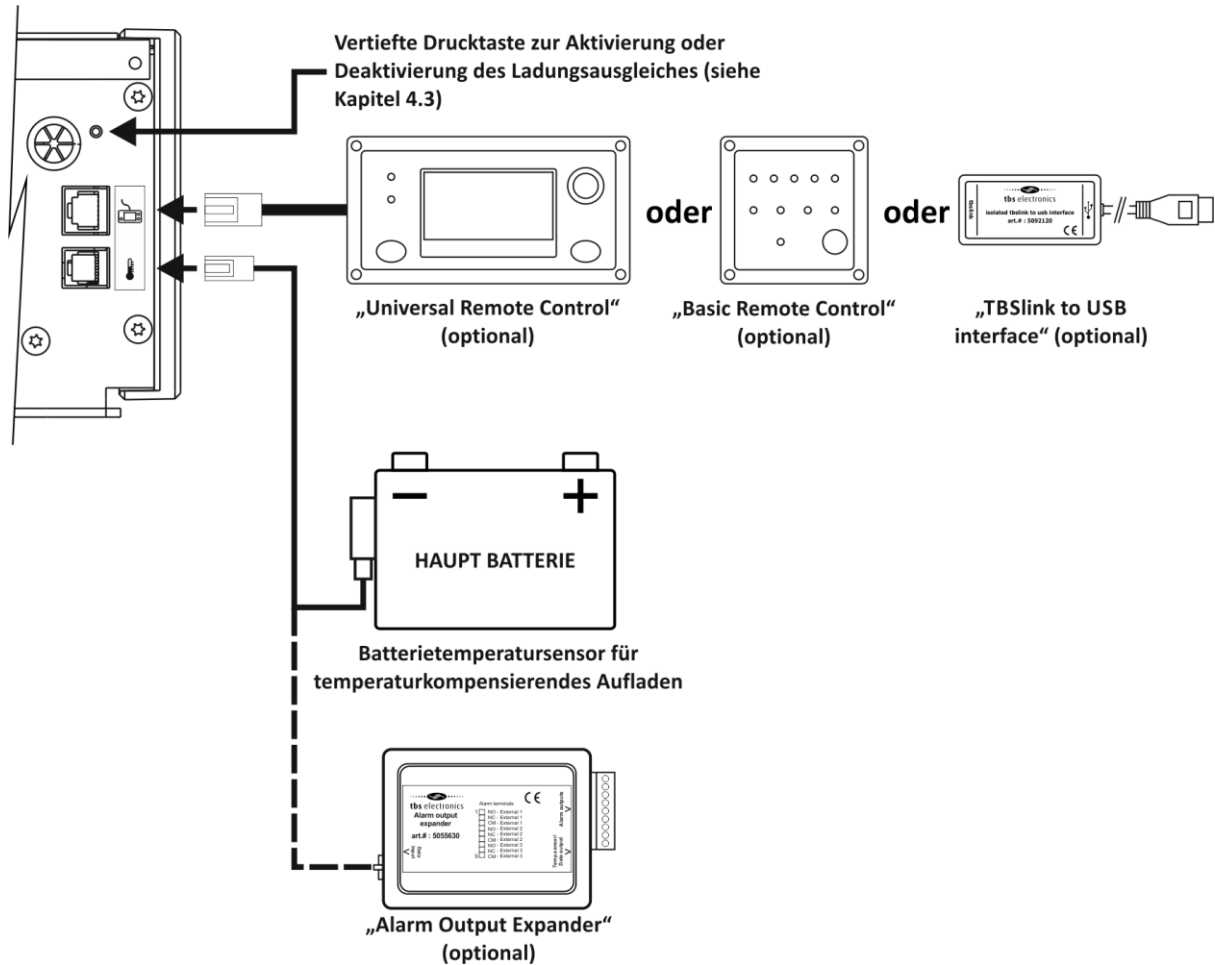
- ① Master-/Slave-Schalterstellung. Wenn ein einzelnes Ladegerät installiert wird, muss dieser Schalter auf 'MASTER' gestellt werden. Die 'SLAVE'-Einstellung ist nur für parallele Ladesysteme relevant.
- ② 5-Stellungen-Schraubklemmleiste. Die ersten drei Stellungen werden mit den 'normal offen', 'normal geschlossen'- und 'gemeinsam'-Kontakten des internen Alarmrelais verbunden. Dieses Relais wird aktiviert, wenn das Ladegerät in einem Fehlermodus abgeschaltet wird. Wenn der Fehlerzustand beseitigt wurde, wird dieses Relais wieder deaktiviert. Bitte stellen Sie sicher, dass Sie die maximale Relais-Kontaktrate von 60V und 5A nicht überschreiten, um ein Beschädigen des Relais oder der PCB zu vermeiden.

An der 4. und 5. Position der Klemmleiste kann ein externer Schalter angeschlossen werden, um das Ladegerät fern ein- und auszuschalten. Dieser Schalter kann bis zu 50 Meter vom Ladegerät entfernt gelagert werden. Wir empfehlen die Verwendung einer Drahtgröße von 1mm^2 für den Anschluss der Fernbedienung. Für den Fernschalter kann jeder einpolige Schalter verwendet werden. Auf dieser Leitung wird nur ein Signal mit niedriger Leistung geschaltet.

- ③ Fernbypass-Schalterposition. Wenn an der 5-poligen Schraubklemmleiste ein Fernschalter angeschlossen ist, muss der Fernbypass-Schalter auf AUS gestellt werden. Wenn kein Fernschalter verwendet wird, muss der Fernbypass-Schalter auf EIN gestellt werden.

2.4.2 Unterseite Verbindungen

Die folgende Abbildung zeigt die Unterseite Verbindungen.



2.5 Parallel Betrieb

Es können bis zu 6 Batterieladegeräte des gleichen Modells parallel angeschlossen werden, um sehr hohe Ladestromniveaus zu erreichen. Dieses Handbuch zeigt keine Anschlüsse oder Betriebsdetails für parallele Ladesysteme. Diese Details werden in der Dokumentation erklärt, die im optionalen "Omnicharge XL Parallel Kit (Art.-Nr. 5029950)" enthalten ist.

3. KONFIGURATION DER OMNICHARGE LADEGERÄT

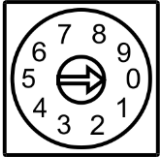
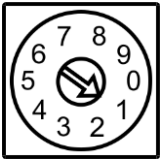
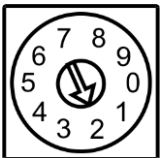
3.1 Auswahl des richtigen Ladeprogramms

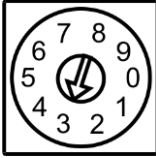
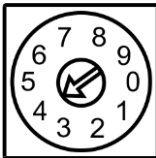
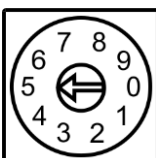
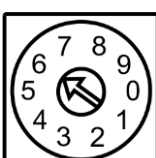
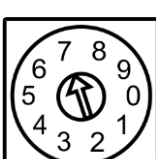
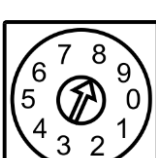
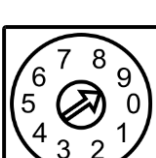
Die Abbildung in Kapitel 2.4 zeigte die Position des Drehwählers, der verwendet wird, um das gewünschte Batterietyp auszuwählen. Die Auswahl des Ladeprogramms hängt von der Art der Batterie ab, die geladen werden muss. Jeder Batterietyp hat seine eigenen typischen "Bulk"- und "Float" Ladungsspannungen. Wenn Ihr Batterietyp oder die optimalen Ladespannungen noch nicht in der Standardliste verfügbar sind, können Sie die Drehwählerposition '0' auswählen und das Batterieladegerät mithilfe des TBS Dashboards für Windows-Software einrichten. Diese Software ist im optionalen "TBSLink to USB Communication Kit" (Art.-Nr. 5092120) enthalten, die auch einen isolierten Schnittstellenkasten zum Anschluss des Omnicharge an einen PC enthält. Mithilfe des TBS Dashboards können alle verfügbaren Parameter bearbeitet werden, und es ist auch möglich, Ihre eigenen Batterieladeprogramme zu bearbeiten oder zu erstellen.

⚠ VORSICHT

Ungültige Batterietyp-Einstellungen können ernsthafte Schäden an Ihren Batterien und/oder den angeschlossenen Verbrauchern verursachen. Überprüfen Sie immer anhand Ihrer Batterie-Dokumentation die korrekten Ladespannungseinstellungen.

In der folgenden Tabelle werden alle Einstellungen erklärt.

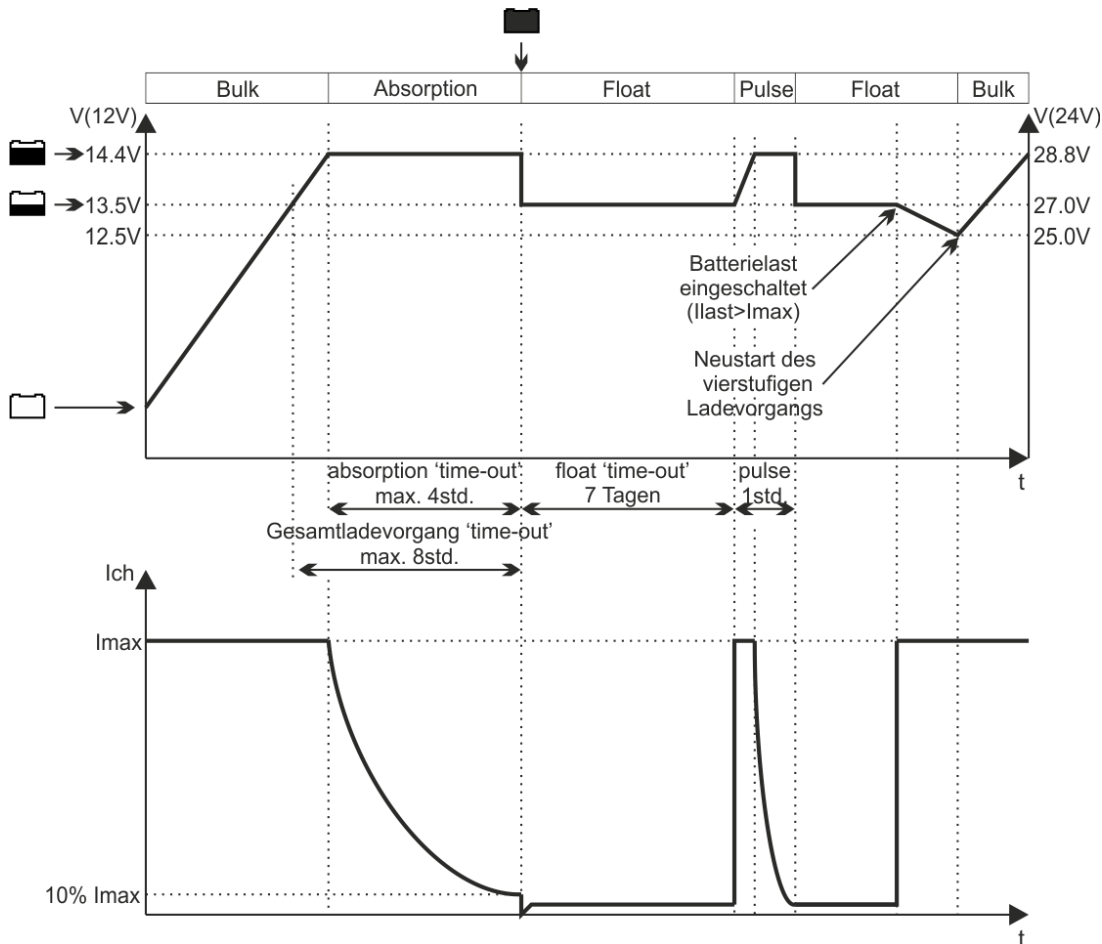
Drehwähler Einstellung	Batterie-typ	Spannung (12V / 24V) und maximale Timer-Einstellungen
 Position 0	"Custom" (Hersteller einstellung ist 'leer')	Die Spannungseinstellungen für diese Position sind leer. Schließen Sie das Ladegerät an einen PC, auf dem TBS Dashboard läuft an, und erstellen Sie ein kundenspezifisches Ladeprogramm, das auf dieser Position gespeichert wird. Wenn dies nicht erfolgt, gibt das Ladegerät einen Batteriefehler aus, wenn der Wähler auf '0' gestellt wird.
 Position 1	"Flooded" (nass) (Hersteller einstellung)	"Bulk" und "Absorption" Spannung = 14.40V oder 28.80V "Float" Spannung = 13.50V oder 27.00V "Equalize" Spannung = 15.80V oder 31.60V Max. "Bulk" Zeit = 8 Uhr Max. "Absorption" Zeit = 4 Uhr
 Position 2	"GEL"	"Bulk" und "Absorption" Spannung = 14.20V oder 28.40V "Float" Spannung = 13.50V oder 27.00V "Equalize" Spannung = Ausgleichladung nicht verfügbar Max. "Bulk" Zeit = 8 Uhr Max. "Absorption" Zeit = 4 Uhr

 Position 3	<p>“AGM” (auch für ‘Optima SpiralCell’)</p>	<p>“Bulk” und “Absorption” Spannung = 14.70V oder 29.40V “Float” Spannung = 13.65V oder 27.30V “Equalize” Spannung = 15.50V oder 31.00V Max. “Bulk” Zeit = 8 Uhr Max. “Absorption” Zeit = 4 Uhr</p>
 Position 4	<p>“Lead Calcium”</p>	<p>“Bulk” und “Absorption” Spannung = 14.80V oder 29.60V “Float” Spannung = 13.50V oder 27.00V “Equalize” Spannung = 15.80V oder 31.60V Max. “Bulk” Zeit = 16 Uhr Max. “Absorption” Zeit = 8 Uhr</p>
 Position 5	<p>“LiFePO4”</p>	<p>“Bulk” und “Absorption” Spannung = 14.40V oder 28.80V “Float” Spannung = 13.80V oder 27.60V “Equalize” Spannung = Ausgleichsladung nicht verfügbar Max. “Bulk” Zeit = 12 Uhr Max. “Absorption” Zeit = 12 Uhr</p>
 Position 6	<p>Leer</p>	<p>Reserviert für künftigen Gebrauch. Wenn er dennoch ausgewählt wird, gibt das Ladegerät einen Batteriefehler aus.</p>
 Position 7	<p>Leer</p>	<p>Reserviert für künftigen Gebrauch. Wenn er dennoch ausgewählt wird, gibt das Ladegerät einen Batteriefehler aus.</p>
 Position 8	<p>Leer</p>	<p>Reserviert für künftigen Gebrauch. Wenn er dennoch ausgewählt wird, gibt das Ladegerät einen Batteriefehler aus.</p>
 Position 9	<p>Leer</p>	<p>Reserviert für künftigen Gebrauch. Wenn er dennoch ausgewählt wird, gibt das Ladegerät einen Batteriefehler aus.</p>

Dieses Handbuch beschreibt nur die Drehwähler-Einstellungen. Die Konfiguration per TBS Dashboard wird im TBS Dashboard-Handbuch erklärt, das mit dem TBSLink zu USB-Kommunikation-Kit geliefert wird.

3.2 Ladeprogramme

Alle serienmäßigen, wählbaren Ladeprogramme führen einen vierstufigen IUoUoP-Ladevorgang durch, bestehend aus den Phasen "Bulk" (Haupt-ladung), "Absorption" (Absorptionladung), "Float" (Erhaltungsladung) und "Pulse" (Puls-ladung). In der unteren Abbildung werden diese vier Phasen des Ladevorgangs graphisch dargestellt :



Während der Bulk Phase liefert das Ladegerät vollen Ausgangsstrom und führt der Batterie typischerweise ungefähr 80% der Ladung zu, sobald die Aufnahmespannung erreicht ist. Während dieser Phase leuchten je nach Bulk ladungsfortschritt die Anzeigen 3d und 3c (siehe Abbildung in Kapitel 4.1).

Sobald die Aufnahmespannung erreicht wurde, beginnt die Absorption Phase und die Anzeige 3b leuchtet. Während dieser Phase werden die verbleibenden 20% Ladung zurückgeführt. Die Ausgangsspannung wird konstant gehalten, und der Ladestrom verringert sich in Abhängigkeit zum Batterieladestatus. Sobald der Ladestrom unter einen Mindestwert fällt oder die maximale Aufnahmezeit abgelaufen ist, beginnt die Float Phase.

Die Anzeige 3a leuchtet, welches darauf hinweist, dass die Batterie voll geladen ist. Während dieser Phase wird die Batteriespannung konstant auf einem sicheren Niveau gehalten. Die Batterie bleibt in einem optimalen Zustand, solange sie in dem eingeschalteten Ladegerät

verbleibt. Angeschlossene Batterieladephasen werden vom Ladegerät direkt mit dem maximal zulässigen Ausgangsstromwert versorgt. Wenn mehr Strom erforderlich ist, wird dieser von der Batterie geliefert, was zu einer Minderung der Batteriespannung führt. Ab einem bestimmten Batteriespannungswert springt das Omnicharge zurück zur Bulk Phase und führt den vierstufigen Ladevorgang erneut durch, sobald der Verbrauch des Batterieladephasen unter den maximalen Ausgangsstromwert des Ladegeräts gefallen ist.

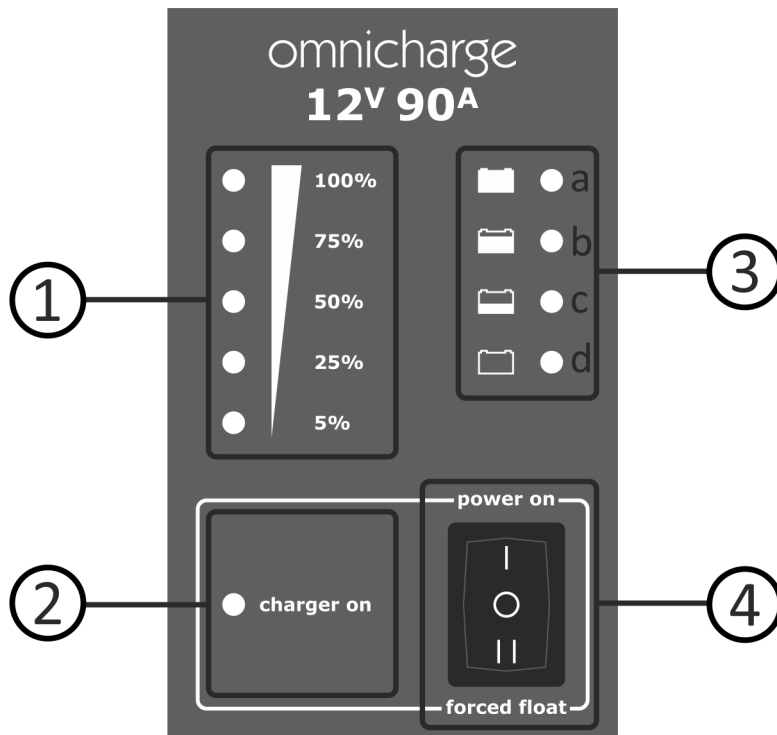
In der vierten Phase, der "Puls Phase", wird die Ladung aller 7 Tage für ungefähr 1 Stunde erneuert, während das Omnicharge in der Float Phase arbeitet. Damit wird die Batterie in einem optimalen Zustand gehalten und gleichzeitig ihre Lebensdauer verlängert. Die Batterie kann ohne das Risiko der Überladung in dem eingeschalteten Omnicharge verbleiben.

Bei installiertem Temperatursensor kompensiert das Omnicharge die Ladespannung automatisch gegen die Batterietemperatur. Das bedeutet, dass die Ladespannung bei niedrigen Temperaturen etwas erhöht und bei höheren Temperaturen verringert wird (-30mV/°C bei 12V Ladegeräten und -60mV/°C bei 24V Ladegeräten). Auf diese Weise wird ein Überladen verhindert und folglich die Lebensdauer der Batterie verlängert.

4. BETRIEBSANLEITUNG

4.1 Omnicharge LED-Anzeigen und Error Modes

Bitte betrachten Sie das nächste Bild, um einen Überblick über die Frontplatte der Omnicharge mit allen LED-Anzeigen und der Lage des Hauptschalters zu erhalten.



Die Frontplatte kann in vier Unterbereiche (1, 2, 3, 4) aufgeteilt werden:

- ① Ausgangsstrombalken. Prozentuale Anzeige des total gelieferten Ausgangsstroms.
- ② Modusanzeige. Zeigt die Betriebsart der Omnicharge an (siehe Erklärung unten):

Anzeige Modus	Erklärung
Grün	Ladegerät An, normale Modus
Rot blinkend (1 blink per sek.)	Batterie Fehler <i>Batteriefehler können verschiedene Ursachen haben. Zum Beispiel: niedriger (zu sehr entladen) oder hoher Batteriespannung und Batterietemperatur zu niedrig oder zu hoch (Funktion nur bei angeschlossenem Temperatursensor verfügbar). Während des Batteriefehlers kann das Ladegerät nicht automatisch neustarten, ausgenommen wenn der Fehler durch einen zu niedrigen Batteriespannung oder eine zu niedrige Batterietemperatur verursacht wird.</i>
Rot blinkend (2 blinks per sek.)	Hohe/niedrige AC-Eingangsspannung

Rot blinkend (3 blinks per sek.)	Hohe Temperatur des Ladegeräts <i>Das Ladegerät führt automatisch einen Neustart durch, wenn die Temperatur unter dem Mindestwert liegt.</i>
Rot blinkend (4 blinks per sek.)	Ladegerätfehler (zur Reparatur bringen)


③ Ladezustandsanzeige. Geschätzte Anzeige des Ladefortschritts, siehe unten :

- LED 3a : 100% voll (fertig)
- LED 3b : 80% voll
- LED 3c : 50% voll
- LED 3d : leer

④ Hauptschalter (siehe Erklärung unten):

Schalter Position	Definition
"0"	Ladegerät Aus <i>Wenn der Schalter auf Position "0" steht, werden keine internen AC- oder DC-Quellen unterbrochen. D.h., es befinden sich noch tödliche Spannungen im Inneren des Ladegeräts! Auf der Position "0" verbraucht das Ladegerät noch eine kleine Menge Wechselstrom.</i>
"1"	Ladegerät An in den normalen Lademodus
"II"	Ladegerät An in den 'forced float' modus <i>In diesem Modus wird die Ausgangsspannung kontinuierlich im Verhältnis zur Float-Spannung eingestellt (Wert ist abhängig von der verwendeten Batterietyp), während dennoch voller Ausgangsstrom geliefert wird. Da in diesem Modus keine automatischen Ladeprogramme aktiviert sind, kann dieser Modus für konstantes Laden oder zur Verwendung des Ladegeräts als batteriegestützte Stromversorgung benutzt werden.</i>

4.2 Batterien aufladen

 **VORSICHT**

Lesen Sie vor dem Aufladen von Batterien alle beigegefügten Sicherheitshinweise und Warnungen durch; befolgen Sie alle Sicherheitsvorschriften bezüglich des Umgangs mit Batterien.

In der nachfolgenden Liste wird die Vorgehensweise zum Aufladen von Batterien umfassend beschrieben :

1. Stellen Sie den Schalter des Ladegeräts auf die Position "0" (Aus) und trennen Sie die Stromzufuhr (AC) zum Ladegerät.
2. Wenn möglich, alle Lasten der Batterie trennen oder ausschalten.
3. Verbinden Sie die Batterie mit dem Ladegerät.
4. Schalten Sie die Stromzufuhr (AC) ein und aktivieren Sie das Ladegerät, indem Sie

den Schalter auf die Position "I" (Betrieb ein) stellen. Nach zwei Signaltönen beginnt der Ladevorgang des Geräts.

5. Stellen Sie den Schalter nach Beendigung des Ladevorgangs auf die Position "0" und unterbrechen Sie erneut die Stromzufuhr (AC), bevor Sie die Batterie trennen. Sie können auch alle Verbindungen und die Schalterposition belassen und einfach alle Batterieladepunkte neu verbinden.

4.3 "Equalize" (Ausgleichsladung) Modus

Der Batterie Hersteller kann bei der Verwendung von Bleibatterien regelmäßige Ladungsausgleiche ("Equalizeladung") empfehlen. Dies trifft auch zu, wenn eine Batterie extrem entladen ist oder oft unzureichend aufgeladen wurde. Während des Ladungsausgleiches wird die Batterie bei verringertem Ausgangsstrom bis auf ca. 15,5V (oder 31V bei 24V Modellen) geladen. Lesen Sie vor dem Durchführen eines Ladungsausgleiches die folgenden Sicherheitsinformationen sorgfältig durch :



VORSICHT

Der Ausgleich sollte nur an einer Batterie vom Blei-Säure-Typ durchgeführt werden, die diesen Prozess unterstützt. Daher gestattet der Omnicharge nur einen Ausgleich, wenn der Batterietyp-Drehwähler auf "Flooded", "AGM" oder "Lead-Calcium" gestellt wurde. Andere Batterietypen wie "GEL" oder "Lithium" werden durch diesen Prozess beschädigt. Bitte denken Sie daran, dass nicht alle Hersteller von AGM- und Lead-Calcium-Batterien einen Ausgleichsprozess gestatten. Befolgen Sie immer die Anweisungen des Herstellers, wenn Sie Batterien ausgleichen.

Während des Ladungsausgleiches entwickelt die Batterie explosive Gase. Befolgen Sie alle Sicherheitsvorschriften, die dem Ladegerät beigelegt sind. Sorgen Sie für ausreichende Belüftung um die Batterie herum und vergewissern Sie sich, dass in der Umgebung keine Flammen oder Funken auftreten.

Trennen Sie während des Ladungsausgleiches alle an der Batterie angeschlossenen Lasten. Die der Batterie während des Vorgangs zugeführte Spannung liegt möglicherweise über dem Sicherheitspegel einiger Lasten.

Omnicharge Ladegeräte sind nicht in der Lage, automatisch festzustellen, wann der Ladungsausgleich zu beenden ist. Der Benutzer muss die exakte Masseanziehung der Batterie während des gesamten Vorgangs beobachten, um das Ende des Ladungsausgleiches zu bestimmen. Der 1-stündige Timer zum Abschalten des Ladegeräts ist nur ein Sicherheitsmerkmal und möglicherweise nicht kurz genug, um Schäden an der Batterie zu verhindern. Der Ladungsausgleich einer Batterie erfordert deshalb die ständige Beobachtung durch den Benutzer.

Wie früher erläutert gestattet der Omnicharge nur einen Ausgleich, wenn der Batterietyp-Drehwähler auf einen Batterietyp gestellt wurde, der einen Ausgleichszyklus erlaubt. Außerdem muss das Ladegerät einen vollständigen Ladevorgang abgeschlossen haben und im Erhaltungs ("Float") Modus operieren. Wenn diese beiden Bedingungen erfüllt sind, kann der Modus für den Ladungsausgleich aktiviert werden, indem Sie die vertiefte Drucktaste auf

der Unterseite des Ladegeräts (siehe Kapitel 2.4.2) für 3 Sekunden gedrückt halten, bis alle Ladestatusanzeigen anfangen zu blinken.

Das Ladegerät erlaubt einen Ladungsausgleich von maximal 1 Stunde, bevor es wieder automatisch zum "Float" Modus zurückkehrt. Wenn die exakte Masseanziehung der einzelnen Zellen noch nicht mit den technischen Daten des Herstellers übereinstimmt, können Sie einen neuen 1-stündige Ladungsausgleich starten, indem Sie die Drucktaste erneut für 3 Sekunden gedrückt halten. Prüfen Sie während des Ladungsausgleiches wiederholt die exakte Masseanziehung der einzelnen Zellen. Wenn diese Werte korrekt sind, können Sie den Ladungsausgleich manuell durch einmaliges Drücken der Drucktaste beenden. Das Ladegerät kehrt dann in den "Float" Modus zurück.

5. RICHTLINIEN ZUR FEHLERSUCHE

Bitte betrachten Sie die Tabelle unten, wenn Probleme mit der Omnicharge und/oder der Installation auftreten.

Problem	Mögliche Ursache	Abhilfe
Der Omnicharge arbeitet nicht.	Der Hauptschalter ist in der Aus (0)-Position.	Schieben Sie den Hauptschalter in die 'I' oder 'II' Position.
	Die AC-Eingangsspannung ist außerhalb des Bereichs oder nicht verfügbar	Stellen Sie sicher, dass die AC-Eingangsspannung zur Verfügung steht und innerhalb des Betriebsbereichs des Ladegeräts liegt.
	Der Fernschalter oder die TBS-Fernbedienung haben das Ladegerät deaktiviert.	Aktivieren Sie der Omnicharge von fern oder überprüfen Sie die Fernbypass-Schalter, ob er korrekt eingestellt ist.
	Ein schlechter Kontakt zwischen den Omnicharge Batteriedrähten und den Batterie-Klemm-anschlüssen.	Reinigen Sie die Batterie-Klemmenanschlüsse oder die Omnicharge-Drahtkontakte. Ziehen Sie die Batterie-Klemmenanschluss-Schrauben an.
	Durchgebrannte Gleichstrom-Sicherung.	Überprüfen Sie die Batterie-Sicherung oder die interne Omnicharge Ausgang Sicherung.
	Sehr schlechter Zustand der Batterie.	Ersetzen Sie die Batterie.
Die Batterie wird nicht bis zu ihrer maximalen Kapazität geladen.	Inkorrekte Absorptions-Ladespannungseinstellung.	Prüfen Sie die Batterietyp-Wähler auf korrekte Einstellungen, oder justieren Sie die Absorptionsspannung mit dem TBS Dashboard.
	Inkorrekte Ladestrom-Einstellung.	Stellen Sie den Ladestrom mithilfe der Universal-Fernbedienung oder des TBS Dashboards ein. Normalerweise sollte der Ladestrom auf 10%-20% der Gesamtkapazität der Batterie eingestellt sein.

	Zu hoher Spannungsverlust in den Batteriekabeln und/oder -Anschlüssen.	Stellen Sie sicher, dass der Durchmesser der Batteriekabel groß genug ist. Überprüfen Sie, ob alle Gleichstrom-Anschlüsse angemessen hergestellt sind.
	Zusätzliche Batterie-Lasten verbrauchen zu viel Strom während des Ladevorgangs.	Schalten Sie alle Batterie-Lasten ab.
Der Ladestrom ist zu niedrig.	Hohe Umgebungstemperatur.	Versuchen Sie, die Umgebungstemperatur um die Omnicharge zu senken.
	Das Ladegerät arbeitet im Absorptionsladungs-Stadium.	Sie unternehmen nichts. Die Batterie ist fast vollständig geladen und verbraucht selbst weniger Strom.
Ladespannung zu niedrig.	Die Ladespannung wird zum Schutz der Batterie vom Batterietemperatur-sensor kompensiert.	Unternehmen Sie nichts, oder versuchen Sie die Umgebungstemperatur der Batterie abzukühlen.
	Falsche Batterietypauswahl durch die Dreh-Schalter, oder das Ladeprogramm muss angepasst werden.	Wählen Sie das richtige Ladeprogramm oder stellen Sie das benutzerdefinierte Ladeprogramm mit dem TBS 'Dashboard' software ein.
	Batteriekabel zu dünn.	Installieren Sie größere Batteriekabel. Siehe Kabelgröße Tabelle in Kapitel 2.4.
	Belastungsstrom der Batterie ist größer als Ausgangsstrom des Ladegeräts.	Batteriebelastung entfernen oder verringern.
LED 'charger on' blinkt einmal pro Sekunde rot (Batteriefehler).	Die Batterie-Spannung ist zu niedrig (muss > 6V@12V oder > 12V@24V sein).	Die Batterie ist beschädigt, ersetzen Sie sie. Die Batterie wurde zu stark entladen.
	Die Batterie-Spannung ist zu hoch (> 15% von Einstellungsspannung).	Überprüfen Sie das Gleichstromsystem nach einer externen Quelle, die die Batterie-spannung nach oben treibt.
	Die Batterietemperatur ist zu hoch oder zu niedrig. (nur verfügbar, wenn ein Temperatursensor installiert wurde).	Stellen Sie sicher, dass sich die Batterie in einer geeigneteren Umgebung befindet, um die Batterien zu laden.

LED 'charger on' blinkt zweimal pro Sekunde rot (AC-Fehler).	Die AC-Eingangsspannung ist zu hoch oder zu niedrig.	Bitte stellen Sie sicher, dass die AC-Eingangsspannung innerhalb des Betriebsbereichs des Ladegeräts liegt.
LED 'charger on' blinkt dreimal pro Sekunde rot (Fehler hohe Ladegerät Temperatur).	Luftzirkulation um das Ladegerät herum ist beeinträchtigt.	Lassen Sie um das Ladegerät herum einen Sicherheitsabstand von mindestens 10 cm. Entfernen Sie alle Gegenstände auf oder über dem Gerät. Schützen Sie das Ladegerät vor direkter Sonneneinstrahlung.
	Zu hohe Umgebungstemperatur.	Stellen Sie das Ladegerät in einen kühleren Raum oder verwenden Sie einem externen Ventilator.
LED 'charger on' blinkt viermal pro Sekunde rot (Ladegerät Fehler).	Interner Fehler im Gerät.	Bringen Sie das Ladegerät zur Reparatur zu Ihrem Einzelhändler vor Ort.


Wenn keines der oben genannten Mittel bei der Lösung des Problems hilft, ist es am besten, dass Sie Ihren lokalen TBS-Händler kontaktieren für weitere Hilfe und/oder zur möglichen Reparatur Ihrer Omnicharge. Nehmen Sie die Omnicharge nicht selbst auseinander, innerhalb des Geräts treten gefährlich hohe Spannungen auf. Außerdem geht der Garantieanspruch verloren.

6. TECHNISCHE SPEZIFIKATIONEN

Parameter	OC12-90	OC24-50	OC24-80
Eingangsspannung	100-260Vac / 47-63Hz / PF > 0.9		180-260Vac
Verbrauch der Volllast	1550VA	1700VA	2750VA
Eingangsstrom (115V/230V)	13.5A / 6.8A	15A / 7.5A	- / 12A
Gesamtausgangsstrom ¹⁾⁴⁾	90A	50A	80A
Nennausgangsspannung ¹⁾	12Vdc	24Vdc	
Anzahl der Ausgänge	3 (intern getrennt)		
Ladeeigenschaften ²⁾	IUoUoP, intelligente 4-Stufen, Temp. Kompensiert		
Standard Absorption Spannung ²⁾	14.4Vdc	28.8Vdc	
Standard Float Spannung ²⁾	13.5Vdc	27.0Vdc	
Standard Equalize Spannung ²⁾	15.8Vdc	31.6Vdc	
Unterstützte Batterietypen ²⁾	Nass / Gel / AGM / LiFePO4 / Lead-Calcium / Custom		
Empfohlene Batteriekapazität ³⁾	180-900Ah	100-500Ah	160-800Ah
DC Stromaufnahme (Ladegerät aus)	< 0.1mA		
Betriebstemperatur	-10°C...+55°C (RHD max. 90% nicht kondensierend)		
Lagertemperatur	-20°C...+70°C (RHD max. 90% nicht kondensierend)		
Kühlung	Ventilator mit variabler Geschwindigkeit		
TBSLink aktiviert	Ja		
Schutzvorrichtungen gegen	Niedrige AC Spannung, Kurzschluss, Überhitzung, Batterie überladung und falscher Batterie polarität (Sicherheit)		
Anzeigen	An, Ausgangsstrom- und Ladestatus Balken, Fehler		
Ausgangsverbindungen (DC)	4x M8 Bolzen		
Eingangsverbindungen (AC)	Schraubklemmen		
Abmessungen (L x B x H)	370 x 271 x 132mm		
Gewicht	6.2kg		
Schutzklasse	IP21 (vertikal Montage)		
Das Ladegerät erfüllt die folgenden Normen	CE markiert. EMC : EN55016-2-1(/A1), EN55016-2-3(/A1), EN 61000-4-2(3/4/5/6). Sicherheit : EN60335-1, EN60335-2-29		

Anmerkung: Änderungen der o.g. Daten jederzeit vorbehalten.

- 1) Maximale Abweichung Ausgangsstrom +/-5%. Maximale Abweichung Spannungen +/- 1%. Alle Spannungen werden bei angeschlossenem Batterietemperatursensor temperaturkompensiert.
- 2) Programmierbarer Wert.
- 3) Informieren Sie sich in den vom Hersteller der Batterie zur Verfügung gestellten technischen Daten über die Höchstgrenze des Ladestroms.
- 4) Bei hohen Umgebungstemperaturen (>40°C) wird der maximale Ausgangsstrom automatisch reduziert.

	Richten Sie sich bitte nach den geltenden Bestimmungen in Ihrem Land, und entsorgen Sie Altgeräte nicht über Ihren Haushaltsabfall. Durch die Korrekte Entsorgung Ihrer Altgeräte werden Umwelt und Menschen vor möglichen negativen Folgen geschützt.
---	--

7. GARANTIE / HAFTUNGSBESCHRÄNKUNG

TBS Electronics (TBS) gibt eine 24-monatige Garantie auf einwandfreie Beschaffenheit der Materialien und Ausführung Ihres Produkt. Die Garantiezeit läuft ab Kaufdatum. Während dieser 24 Monate repariert TBS Ihren defekten Product kostenlos. Transportkosten allerdings werden nicht übernommen.

Dieser Garantieanspruch verfällt, wenn das Produkt außen oder innen körperliche Beschädigungen oder Veränderungen aufweist. Ferner gilt die Garantie nicht für Beschädigungen, die auf eine unsachgemäße Verwendung¹⁾, oder die Verwendung in einem ungeeigneten Umfeld zurückzuführen sind.

Die Garantie kommt nicht zum Tragen, wenn das Produkt falsch benutzt, vernachlässigt, unsachgemäß installiert oder von einem anderen als dem TBS repariert wurde. Der Hersteller kann nicht für eventuelle Verluste, Beschädigungen oder Kosten, die mit einer unsachgemäßen Verwendung, einer Verwendung in einer ungeeigneten Umgebung, einer unsachgemäßen Installation oder einer Funktionsstörung des Produkts in Zusammenhang stehen, verantwortlich gemacht werden.

Da der Hersteller den Gebrauch und die Montage (gemäß lokaler Bestimmungen) von TBS-Produkten nicht kontrollieren kann, ist der Kunde für den eigentlichen Gebrauch von TBS-Produkten immer selbst verantwortlich. TBS-Produkte sind nicht vorgesehen für die Verwendung als kritische Komponenten in Geräten zur Lebenserhaltung oder in Systemen, die möglicherweise Menschen verletzen und/oder die Umwelt schädigen können. Beim Einsatz von TBS-Produkten für derartige Anwendungen ist der Kunde immer selbst verantwortlich. Der Hersteller übernimmt keine Haftung für eventuelle Verletzungen von Patentrechten oder von anderen Rechten dritter, die sich aus dem Gebrauch des TBS-Produkts ergeben könnten. Der Hersteller behält sich das Recht vor Produktspezifizierungen ohne Vorankündigung zu ändern.

¹⁾ Beispiele für unsachgemäßen Gebrauch sind :

- Verwendung zu hoher Eingangsspannungen
- Umgekehrte Verbindung der Batteriepole
- Mechanische Überlastung des Gehäuses oder Innenteile
- Anschluss falscher Batterien (zu hohe Batteriebspannungen)
- Kontakt mit Flüssigkeiten oder Oxidation verursacht durch Kondensation

8. KONFORMITÄTserklärung

Siehe Seite 24.

SOMMAIRE

1. INTRODUCTION	68
2. INSTALLATION	69
2.1 Déballage	69
2.2 Montage.....	69
2.3 Accès au compartiment de connexions	70
2.4 Les détails de câblage	71
2.4.1 Les connexions de la carte de commande et les options de commutation	73
2.4.2 Branchements à la base	74
2.5 Marche en parallèle.....	74
3. CONFIGURER LE OMNICHARGE.....	75
3.1 Sélection du bon programme de charge	75
3.2 Programmes de charge.....	77
4. FONCTIONNEMENT GÉNÉRAL	79
4.1 Affichage et contrôle du Omnicharge	79
4.2 Chargement d'une batterie	80
4.3 Egaliser une batterie.....	81
5. CONSEILS DE DÉPANNAGE	83
6. CARACTÉRISTIQUES TECHNIQUES	86
7. GARANTIE / LIMITE DE RESPONSABILITÉ	87
8. DÉCLARATION DE CONFORMITÉ CE	87

1. INTRODUCTION

Merci d'avoir acheté un chargeur Omnicharge de TBS Electronics (TBS). Veuillez lire ce manuel d'utilisation pour obtenir des informations sur l'utilisation correcte et sans danger de l'appareil. Conservez ce manuel d'utilisation et tous les autres documents inclus à proximité de l'appareil pour de futures consultations. Pour la révision la plus récente du manuel, veuillez vous reporter à la section des téléchargements de notre site Internet.

Ce mode d'emploi fournit des explications et des procédures pour l'installation, la configuration et l'utilisation du chargeur de batterie. Les instructions d'installation sont destinées aux installateurs qui doivent avoir des connaissances et de l'expérience en matière d'installation d'équipements électriques, connaître les codes d'installation en vigueur, être conscients des risques encourus lors de travaux électriques et savoir comment réduire ces risques.



AVERTISSEMENT

Avant d'approfondir ce manuel d'utilisation, veuillez ne pas oublier de lire attentivement le dépliant sur la sécurité !

2. INSTALLATION

2.1 Déballage

Le colis contenant le emballage comprend les articles suivants :

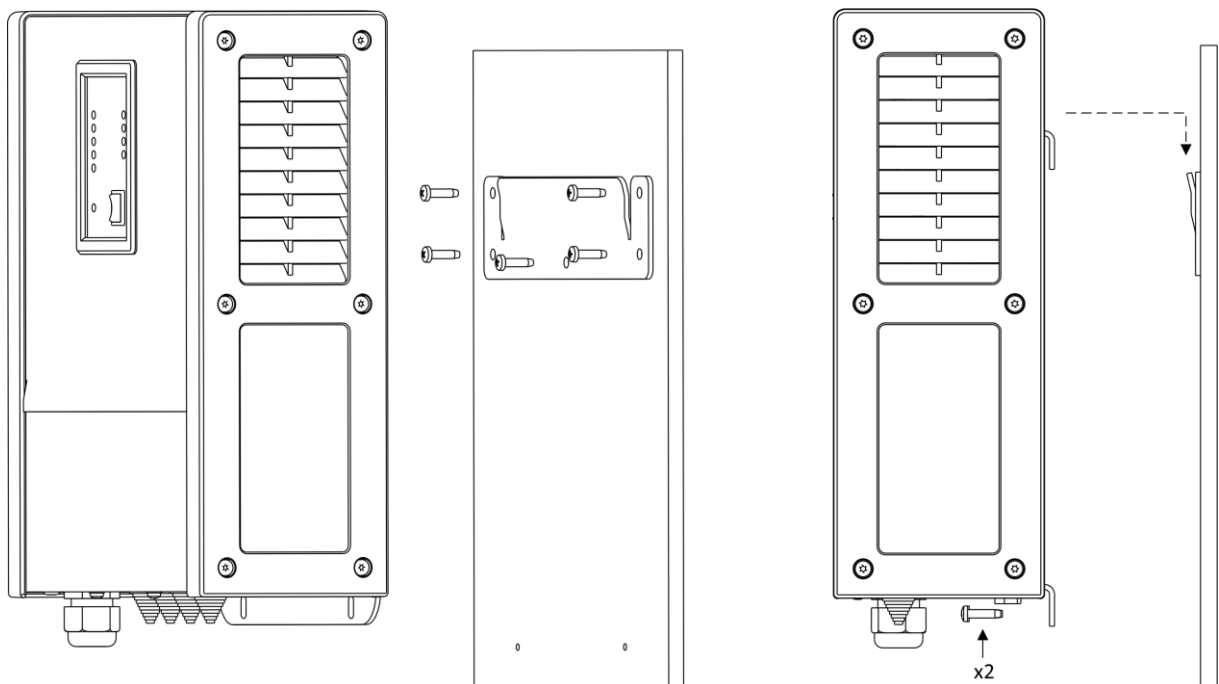
- Chargeur de batterie
- Support mural
- Capteur de température 3 m
- Mode d'emploi
- Dépliant sur les consignes de sécurité
- Autocollants d'avertissement de chargeur
- deux cosse à sertir M8
- 7 vis de montage

! ATTENTION

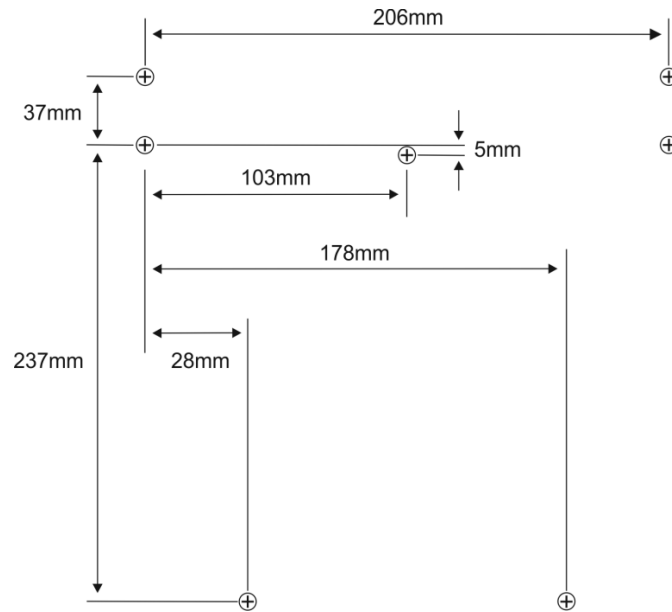
Après avoir déemballé le colis, vérifiez si le produit indique toute trace de dégât mécanique. N'utilisez jamais le appareil lorsque le boîtier présente quelque dégât visuel causé par une manipulation difficile, ou lors d'une chute accidentelle. Contactez votre fournisseur pour obtenir plus d'informations.

2.2 Montage

S'il vous plaît voir l'image ci-dessous pour la méthode de montage.



L'image à la page suivante indique les distances mutuelles des trous de perçage.



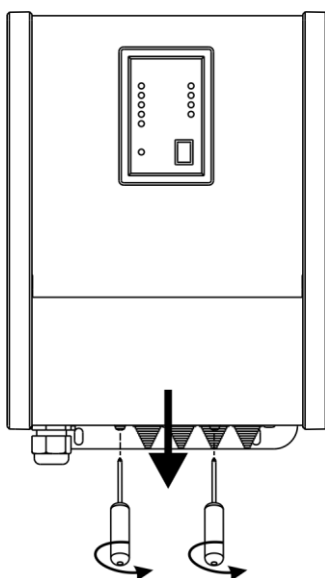
! ATTENTION

Gardez un espace libre d'au moins 10 cm autour de cet appareil pour qu'il puisse refroidir convenablement ! Montez toujours l'appareil debout. Un montage au sol est également possible, pourvu que 7 vis soient utilisées pour fixer le boîtier.

⚡ AVERTISSEMENT

Afin de réduire le risque d'explosion, n'utilisez jamais ce chargeur dans des lieux porteurs de risque d'explosion de gaz ou de poussières ou dans des lieux qui demandent le port d'un matériel de protection contre les flammes. N'installez jamais le chargeur directement au-dessus de la batterie ou vice-versa.

2.3 Accès au compartiment de connexions

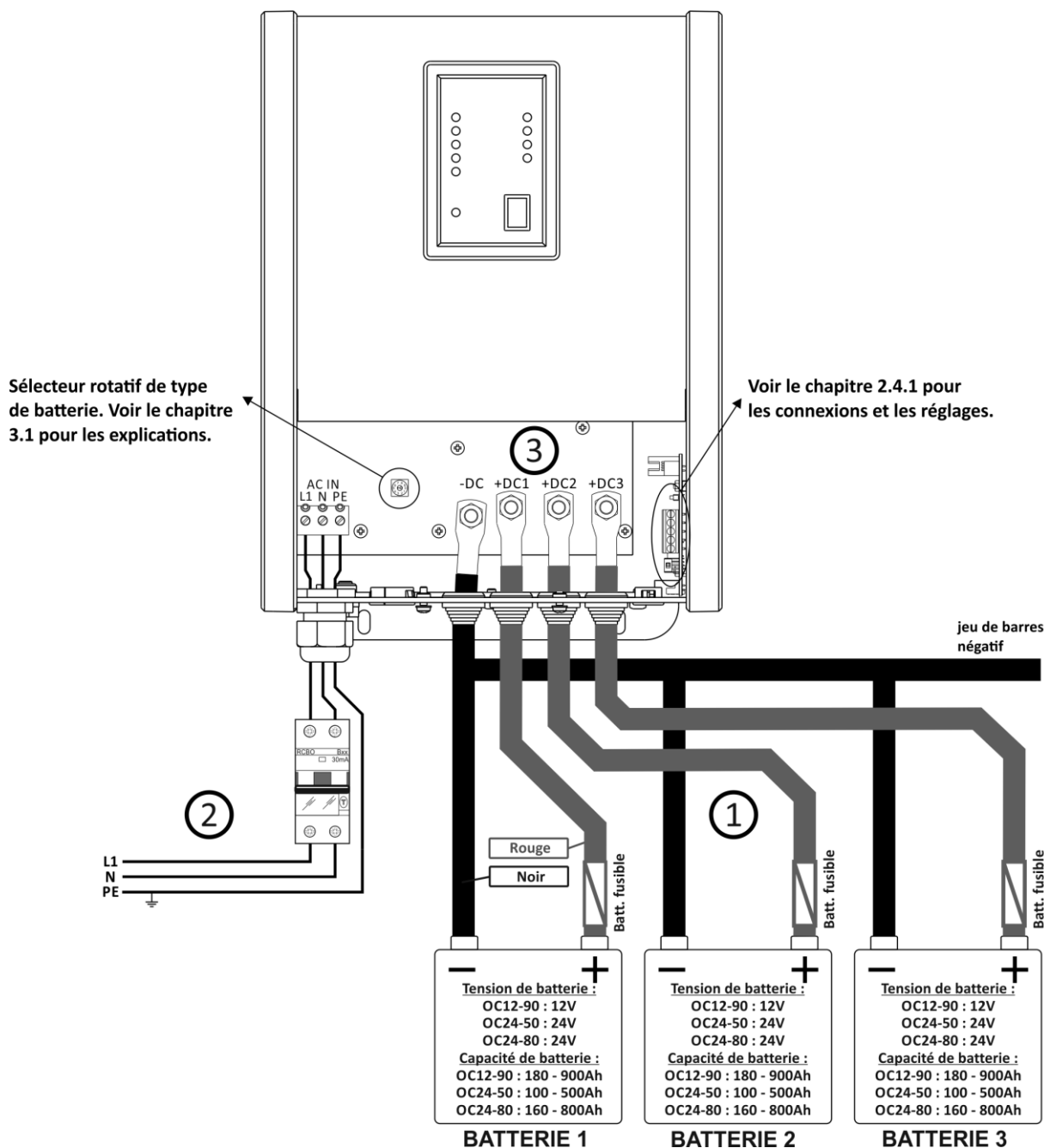


Pour accéder au compartiment de connexions, enlevez les deux vis indiquées au-dessus et faites glisser le couvercle rouge vers le bas.

N'utilisez jamais cet appareil sans avoir réinstallé le couvercle!

2.4 Les détails de câblage

S'il vous plaît voir l'image ci-dessous pour les détails de câblage.



- ① Consultez le tableau suivant pour déterminer le bon câble de batterie et la taille de fusible pour chaque modèle. L'utilisation d'un câble plus petit ou plus long causera davantage de pertes et peut conduire à des batteries mal chargées. L'utilisation d'un câble plus petit ou plus long peut entraîner l'arrêt de l'onduleur en charge lourde. Il existe des risques d'incendies et de brûlures si les câbles de la batterie sont de dimensions insuffisantes pour le courant prévu. Les longueurs de câbles de batterie de plus de 6 mètres sont déconseillées.

Modèle	Sect. de Câblage DC (long. ≤ 3 m)	Sect. de Câblage DC (long. = 3 to 6m)	Batterie fusible (type rapide)
OC12-90	35mm ²	50mm ²	100-120Amp
OC24-50	25mm ²	35mm ²	60-80Amp
OC24-80	35mm ²	50mm ²	100-120Amp

- ② L'entrée CA doit être protégée par un disjoncteur de fuite à la terre avec une protection contre les surcourants (RCBO), qui peut supporter la consommation de courant nominal maximum du chargeur sans se déclencher. Tout le câblage CA doit être dimensionné en conséquence. Consultez le tableau suivant pour déterminer le bon câble CA et la taille de fusible RCBO.

Modèle	Sect. de Câblage AC / RCBO (220-240VAC)	Sect. de Câblage AC / RCBO (100-120VAC)
OC12-90	1.5mm ² / 8A (30mA)	2.5mm ² / 16A (30mA)
OC24-50	1.5mm ² / 10A (30mA)	4mm ² / 20A (30mA)
OC24-80	2.5mm ² / 16A (30mA)	-

Vérifiez que les informations de ce tableau correspondent à la réglementation électrique locale en vigueur.

- ③ Jusqu'à 3 batteries peuvent être connectées au chargeur. Chaque sortie peut alimenter le courant de charge nominal maximal. Le courant de charge total de l'ensemble des 3 sorties combinées ne dépassera jamais le courant de charge nominal maximal. Les 3 sorties sont isolées l'une de l'autre par des redresseurs actifs très efficaces.



AVERTISSEMENT

Le schéma ci-dessus illustre une installation autonome type. Aucune garantie n'est fournie sur la conformité aux prescriptions électriques locales. Assurez-vous que toute l'installation est conforme aux prescriptions électriques locales en vigueur.



AVERTISSEMENT

Ce produit de catégorie I doit être mis à la terre. Connectez toujours le fil PE ou la vis de masse du châssis au bas du boîtier.



ATTENTION

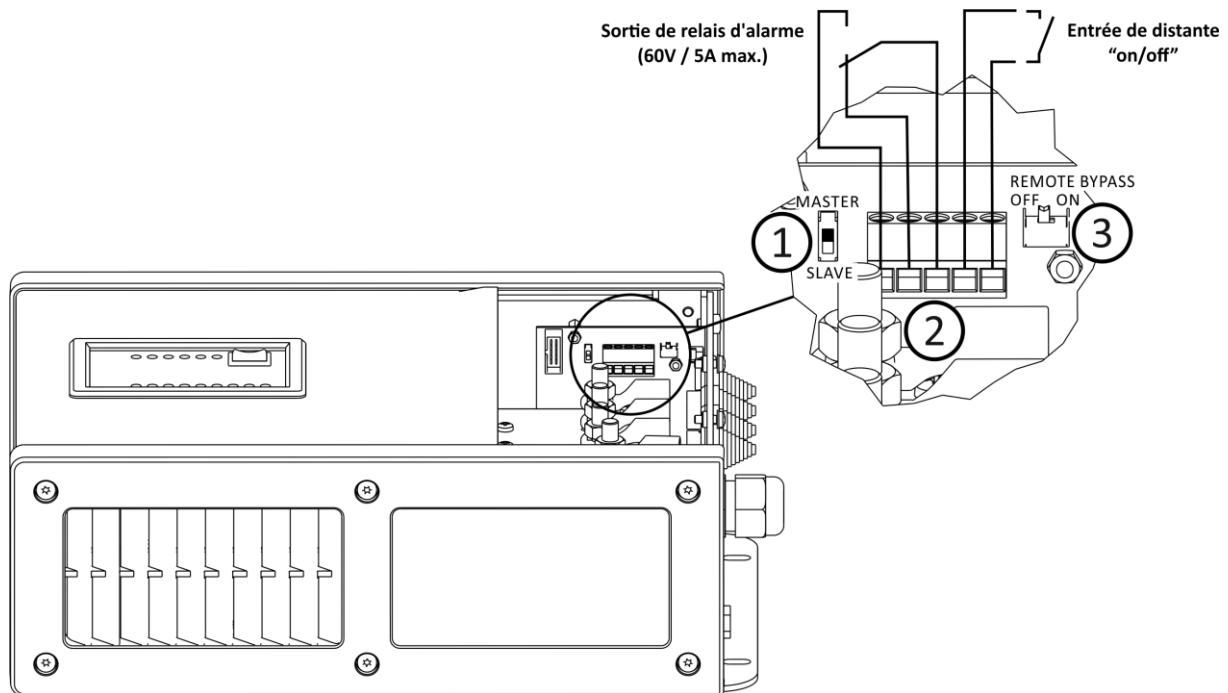
Branchez toujours le câble négatif (-) directement à la borne négative de la batterie, ou au "côté charge" du courant de shunt. Gardez toujours ensemble les câbles négatifs et positifs pour minimiser les ondes électromagnétiques. Revérifiez pour respecter la bonne polarité, avant de brancher les câbles de la batterie à la batterie! Une polarité incorrecte peut endommager le chargeur.

! ATTENTION

Veillez couvrir tout le câblage du compartiment de connexions de rondelles en caoutchouc et de joints en plastiques.

2.4.1 Les connexions de la carte de commande et les options de commutation

L'image suivante indique les connexions de la carte de commande et les options de commutation.



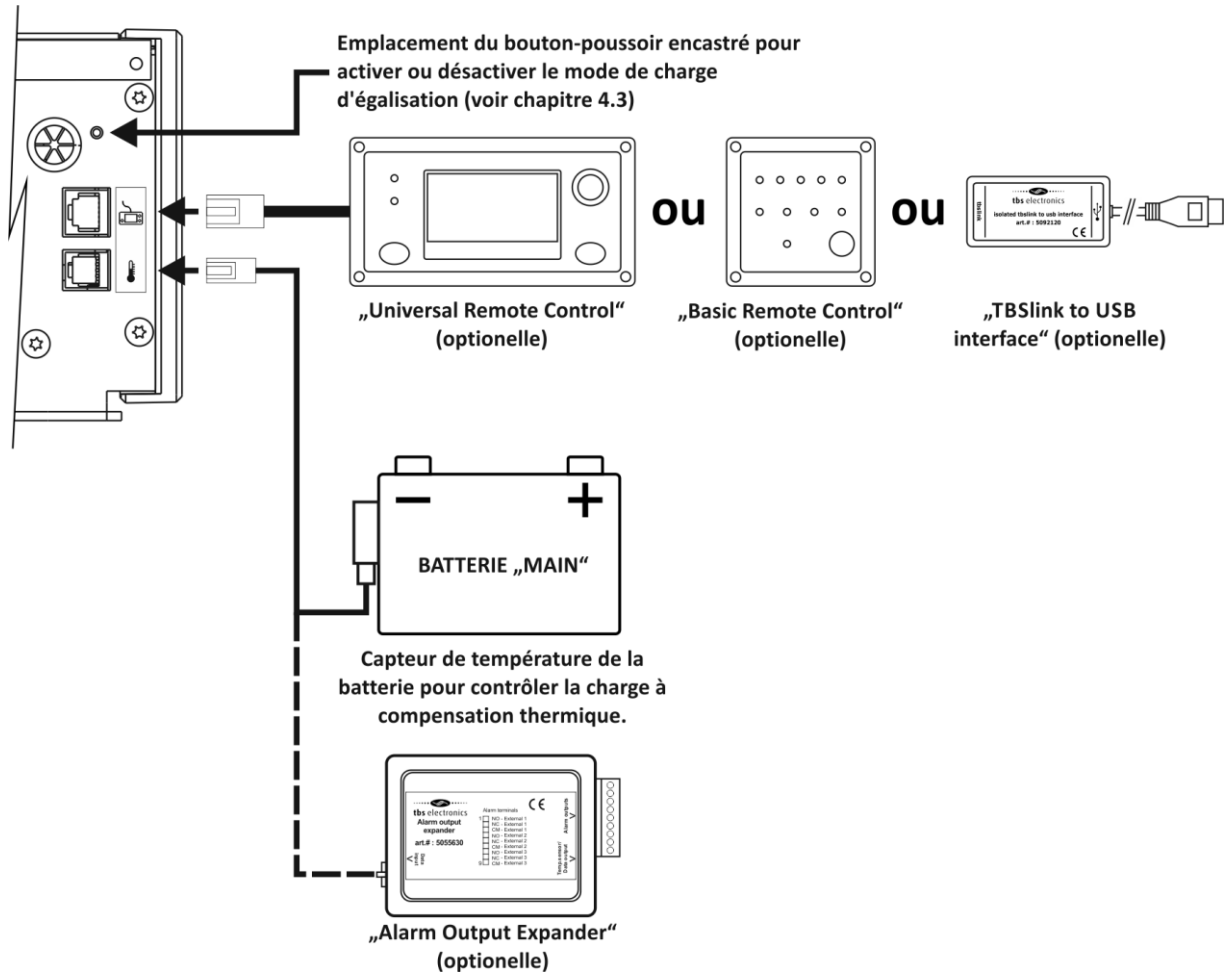
- ① Position d'interrupteur maître/esclave (Master/Slave). Cet interrupteur doit être réglé sur "MAÎTRE" (Master) quand un chargeur simple est installé. Le réglage "ESCLAVE" (Slave) n'est utile que pour des systèmes de chargeurs parallèles.
- ② Bornier à vis à 5 positions. Les trois premières positions sont connectées aux contacts "normalement ouvert" (NO), "normalement fermé" (NC) et "commun" (COM) du relais d'alarme interne. Ce relais sera activé quand le chargeur s'éteint en mode erreur. Cet état d'erreur a été acquitté, ce relais se désactivera à nouveau. Vérifiez que vous ne dépassez pas les valeurs nominales de contact de relais maximales de 60 V et 5 A afin d'éviter d'endommager le relais ou le PCB.

Sur la 4^e et la 5^e position du bornier à vis, un interrupteur externe peut être connecté pour activer ou désactiver le chargeur à distance. Cet interrupteur peut être placé à une distance allant jusqu'à 50 mètres du chargeur. Il est conseillé d'utiliser un fil mesurant 1 mm² pour la connexion avec l'interrupteur de commande à distance. Pour l'interrupteur de commande à distance, n'importe quel interrupteur unipolaire peut être utilisé. Seul un signal de faible puissance sera activé sur cette ligne.

- ③ Dériver à distance la position de l'interrupteur. Quand un interrupteur de commande à distance est connecté au bornier à vis à 5 pôles, l'interrupteur de dérivation à distance doit être réglé sur OFF (désactivé). Quand aucun interrupteur de commande à distance n'est utilisé, l'interrupteur de dérivation à distance doit être réglé sur ON (activé).

2.4.2 Branchements à la base

L'image suivante indique les Branchements à la base.



2.5 Marche en parallèle

Jusqu'à 6 chargeurs de batterie du même modèle peuvent être connectés en parallèle, afin d'atteindre des niveaux de courant de charge très élevés. Ce manuel n'indique aucun détail pour les connexions ou le fonctionnement avec des systèmes de chargeurs branchés en parallèle. De tels détails sont expliqués dans la documentation fournie avec le kit parallèle en option "Omnicharge XL Parallel Kit (art. n° 5029950)".

3. CONFIGURER LE OMNICHARGE

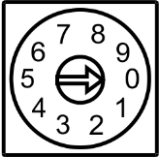

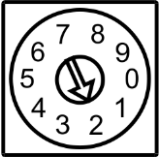
3.1 Sélection du bon programme de charge

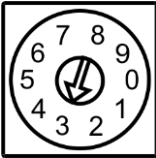
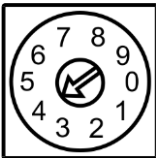
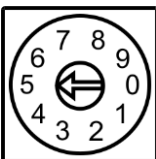
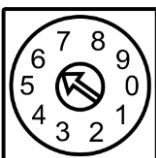
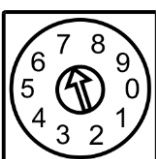
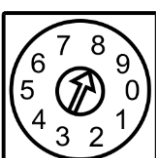
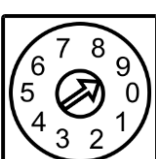
L'image dans le chapitre 2.4 indique l'emplacement du sélecteur rotatif servant à sélectionner le programme de charge (type de batterie) voulu. La sélection du programme de charge dépend du type de batterie qui doit être chargé. Chaque type de batterie a ses propres tensions de charge de masse et d'entretien typiques. Si votre type de batterie ou les tensions de charge optimales ne sont toujours pas disponibles dans la liste standard, vous pouvez sélectionner la position "0" et paramétrer le chargeur de batterie grâce au logiciel TBS Dashboard pour Windows. Ce logiciel est fourni avec le kit de communication USB TBSLink (art. n° 5092120), qui contient également un boîtier d'interface isolé pour connecter l'Omnicharge à un PC. TBS Dashboard permet de modifier tous les paramètres disponibles, ainsi que de modifier ou de créer vos propres programmes de charge de batterie.

! ATTENTION

Les paramètres de type de batterie non valides peuvent sérieusement endommager vos batteries et/ou charges de batteries connectées. Consultez toujours les documents de votre batterie pour avoir les bons paramètres de tension de charge.

Le tableau suivant explique tous les réglages.

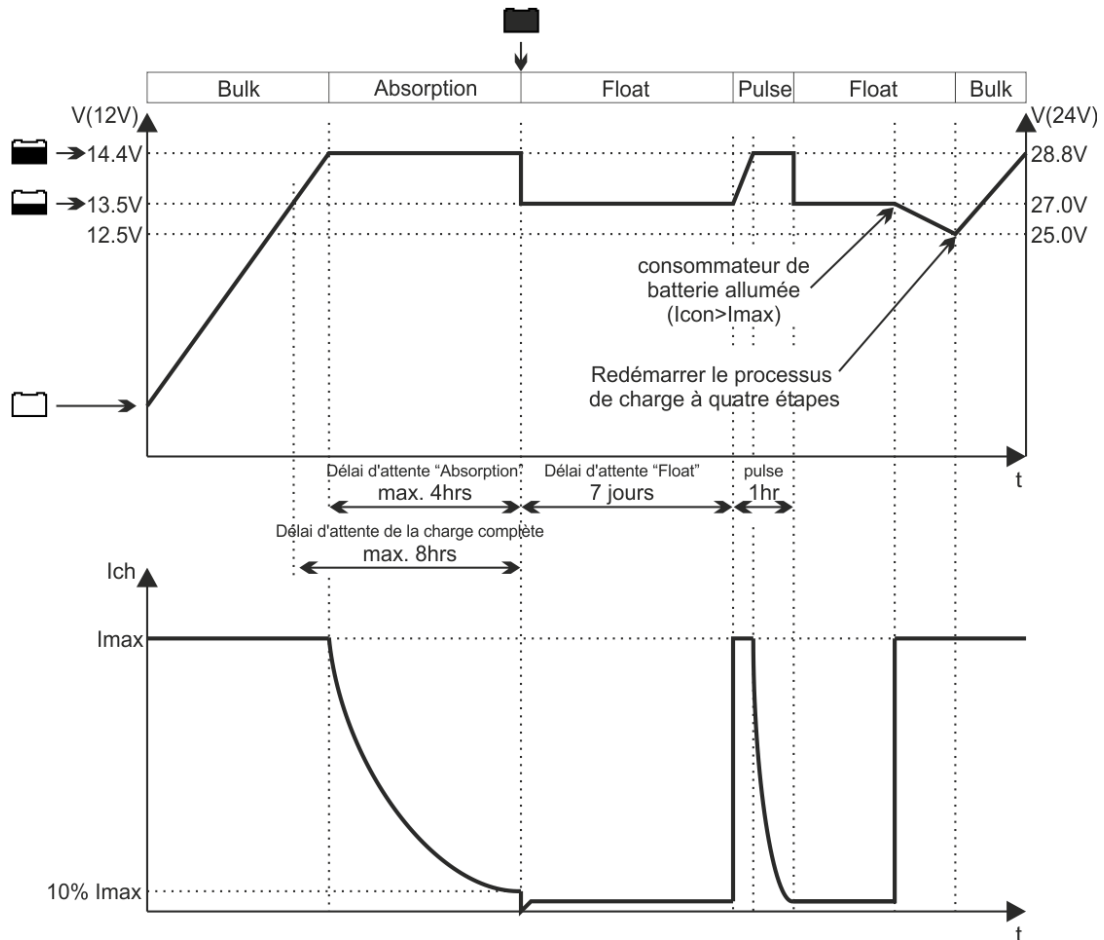
Position du sélecteur	Type de batterie	Réglages de tension (12V / 24V) et de minuterie maximum
 Position 0	"Custom" (réglage d'usine est vide)	Les réglages de tension pour cette position sont vides. Connectez le chargeur à un PC en exécutant TBS Dashboard et créez un programme de charge personnalisé pour sauvegarder sur cette position. Sinon, le chargeur renverra une erreur de batterie quand le sélecteur est réglé sur "0".
 Position 1	"Flooded" (usine par défaut)	Tension "absorption" = 14.40V ou 28.80V Tension "float" = 13.50V ou 27.00V Tension "equalize" = 15.80V ou 31.60V Temps max. de "bulk" = 8hr Temps max. de "absorption" = 4hr
 Position 2	"GEL"	Tension "absorption" = 14.20V ou 28.40V Tension "float" = 13.50V ou 27.00V Tension "equalize" = "equalize" pas disponible Temps max. de "bulk" = 8hr Temps max. de "absorption" = 4hr

 Position 3	<p>“AGM” (aussie pour Optima SpiralCell)</p>	<p>Tension “absorption” = 14.70V ou 29.40V Tension “float” = 13.65V ou 27.30V Tension “equalize” = 15.50V ou 31.00V Temps max. de “bulk” = 8hr Temps max. de “absorption” = 4hr</p>
 Position 4	<p>“Lead Calcium”</p>	<p>Tension “absorption” = 14.80V ou 29.60V Tension “float” = 13.50V ou 27.00V Tension “equalize” = 15.80V ou 31.60V Temps max. de “bulk” = 16hr Temps max. de “absorption” = 8hr</p>
 Position 5	<p>“LiFePO4”</p>	<p>Tension “absorption” = 14.40V ou 28.80V Tension “float” = 13.80V ou 27.60V Tension “equalize” = “equalize” pas disponible Temps max. de “bulk” = 12hr Temps max. de “absorption” = 12hr</p>
 Position 6	<p>Vide</p>	<p>Réservé à une utilisation future. Si ceci est sélectionné, le chargeur renverra de toute façon une erreur de batterie.</p>
 Position 7	<p>Vide</p>	<p>Réservé à une utilisation future. Si ceci est sélectionné, le chargeur renverra de toute façon une erreur de batterie.</p>
 Position 8	<p>Vide</p>	<p>Réservé à une utilisation future. Si ceci est sélectionné, le chargeur renverra de toute façon une erreur de batterie.</p>
 Position 9	<p>Vide</p>	<p>Réservé à une utilisation future. Si ceci est sélectionné, le chargeur renverra de toute façon une erreur de batterie.</p>

Ce manuel décrit uniquement les réglages du sélecteur rotatif. La configuration via TBS Dashboard sera expliquée dans le manuel du TBS Dashboard qui accompagne le kit de communication USB TBSLink.

3.2 Programmes de charge

Tous les programmes de charges sélectionnables et standard effectuent un processus de charge IUoUoP à quatre étapes : “Bulk”, “Absorption”, “Float” et “Pulse”. L'image ci-dessous indique le processus de charge à quatre étapes :



A l'étape 'Bulk', le chargeur livre un courant de sortie complet et envoie, comme à son habitude, environ 80% de charge dans la batterie une fois la tension d'absorption atteinte. Au cours de cette étape, les indicateurs 3d et 3c (Voir votre image dans le chapitre 4.1) seront allumés en fonction du processus de charge du 'Bulk'.

Lorsque la tension d'absorption est atteinte, vous passerez à l'étape 'Absorption' et le témoin 3b s'allumera. Cette étape enverra les derniers 20% de la charge à la batterie. La tension de sortie est maintenue à un niveau constant et le courant de charge diminue comme fonction de l'état de charge de la batterie. Lorsque le courant de la charge est tombé au-dessous d'une certaine valeur ou lorsque la minuterie de l'absorption maximum a expiré, vous passerez à l'étape 'Float'.

Le témoin 3a s'allumera et un message acoustique retentira, indiquant que la batterie est pleine. A cette étape, la tension de la batterie sera constante et maintenue à un niveau sûr pour la batterie. Elle maintiendra la batterie à un état optimal tant que la batterie est

branchée au chargeur activé. Les charges de la batterie connectée seront directement alimentées par le chargeur jusqu'à un niveau de courant de sortie du chargeur maximum. Lorsqu'encore plus de courant arrive, la batterie doit l'alimenter, ce qui mène à une tension de batterie décroissante.

A un certain niveau de tension de batterie, le chargeur revient directement à l'étape 'Bulk' et finalisera à nouveau un processus de charge complet à quatre étapes, une fois que la consommation de la charge de batterie tombe au-dessous du niveau du courant de sortie maximum du chargeur.

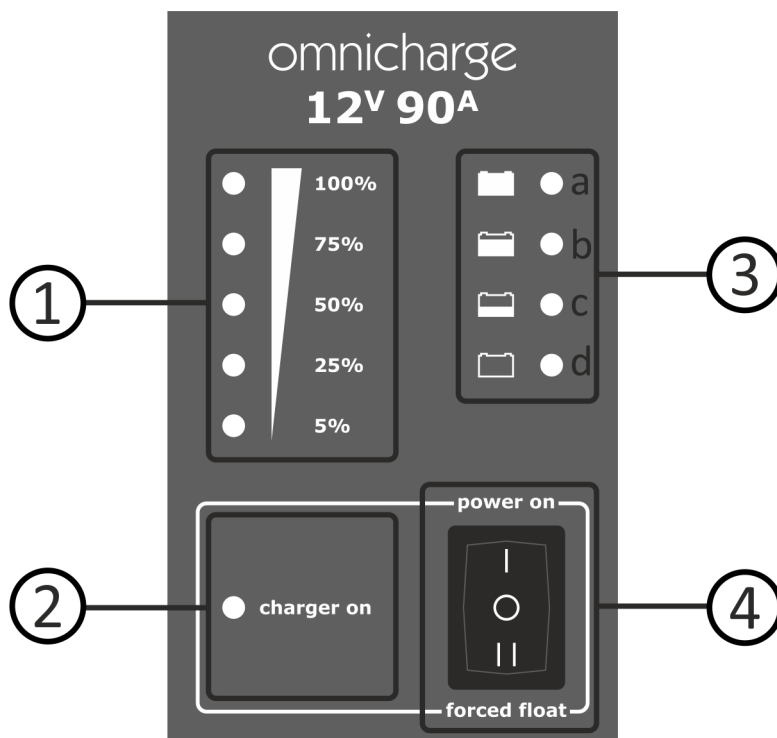
La quatrième étape s'appelle 'Pulse' et effectue un bref rafraîchissement d'1 heure environ tous les 7 jours pendant que le chargeur fonctionne à l'étape 'Float'. Cela permet à la batterie de rester dans une condition optimale tout en prolongeant sa durée de vie. La batterie peut rester branchée continuellement au chargeur activé, sans risque de surcharge.

Lorsque le capteur de température de la batterie est installé, le chargeur compense automatiquement les tensions de charge par rapport à la température de la batterie. Les tensions de charge augmentent légèrement à des températures plus basses et diminuent à des températures plus élevées (-30mV/°C à des chargeurs de 12V et -60mV/°C à des chargeurs de 24V). De cette façon, le phénomène de surcharge est évité, ce qui prolonge la durée de vie de votre batterie.

4. FONCTIONNEMENT GÉNÉRAL

4.1 Affichage et contrôle du Omnicharge

Reportez-vous à l'illustration suivante pour avoir un aperçu des voyants DEL situés sur le panneau avant du Omnicharge et de l'emplacement de l'interrupteur principal.



Le panneau avant se divise en quatre parties (1, 2, 3, 4) :

- ① Barre du courant de sortie. Indique le pourcentage du courant de sortie livré.
- ② Indicateur "Chargeur activé" ou "erreur" (Voir l'explication ci-dessous) :

Mode d'indicateur	Description
Vert continu	Allumé, fonctionnement normal
Rouge clignotant (1 flash par sec.)	Erreur de batterie <i>Une erreur de batterie apparaît pour plusieurs raisons : la tension de la batterie est trop basse (totalement déchargée) ou trop élevée et la température de la batterie est trop basse ou trop élevée (uniquement disponible lorsque le capteur de température de la batterie est branché). Le chargeur ne redémarrera pas automatiquement en mode d'erreur de batterie, sauf lorsque cette erreur est causée par une tension ou une température de batterie trop basse.</i>
Rouge clignotant (2 flash par sec.)	Tension d'entrée CA élevée/basse

Rouge clignotant (3 flash par sec.)	Température trop élevée <i>Le chargeur redémarre automatiquement lorsque la température est au-dessous d'un niveau acceptable.</i>
Rouge clignotant (4 flash par sec.)	Erreur de chargeur (retour au service)

- ③ Barre de l'état de charge : Une indication schématisée de la progression de la Charge

Voyant 3a : plein à 100 % (prêt)
 Voyant 3b : plein à 80 %
 Voyant 3c : plein à 50 %
 Voyant 3d : vide

- ④ L'interrupteur principal (Voir l'explication ci-dessous):

Position de l'interrupteur	Description
"0"	Chargeur hors tension <i>Lorsque l'interrupteur est sur "0", aucune source interne AC ou DC n'est interrompue. Des tensions mortelles sont encore présentes à l'intérieur du chargeur ! Sur "0", le chargeur consommera encore une petite quantité de courant AC</i>
"I"	Chargeur allumé, fonctionnement normal
"II"	Le chargeur fonctionne en mode "forced float". <i>Sous ce mode, la tension de sortie du chargeur est constamment réglée sur la tension de Float (la valeur dépend du type de batterie sélectionné) tout en permettant de livrer un courant de sortie à plein régime. Étant donné qu'aucun programme de charge automatique n'est activé sous ce mode, vous pouvez l'utiliser pour une charge de tension constante ou pour utiliser le chargeur comme une alimentation électrique de batterie tampon.</i>

4.2 Chargement d'une batterie

Avant de charger une batterie, lisez toutes les consignes de sécurité et les avertissements ci-joints tout en effectuant toutes les mesures de sécurité liées à la batterie. La liste suivante décrit, dans les grandes lignes, les étapes à suivre pour charger une batterie :

1. Mettez l'interrupteur du chargeur sur "0" (Arrêt) et débranchez l'alimentation alternative du chargeur
2. Débranchez ou éteignez si possible toutes les charges de la batterie
3. Branchez la batterie au chargeur
4. Allumez l'alimentation alternative et activez le chargeur en mettant l'interrupteur du chargeur sur "I" (allumé). Après deux bips sonores, le chargeur commencera le processus de charge.
5. A la fin du chargement, mettez l'interrupteur du chargeur sur "0" et éteignez à nouveau l'alimentation alternative, avant de débrancher la batterie, ou ne touchez ni aux

branchements ni à la position de l'interrupteur du chargeur et branchez juste une nouvelle fois toutes les charges de la batterie.

4.3 Egaliser une batterie

Si vous utilisez une batterie d'acide de plomb, le fabricant peut conseiller d'effectuer un cycle de charge d'égalisation ponctuel. Cela peut s'avérer vrai lorsque la batterie ouverte a été totalement déchargée ou souvent chargée de manière insuffisante. Pendant le processus d'égalisation, la batterie recevra une charge jusqu'à 15.5V (ou 31V pour les modèles 24V) à un niveau de courant de sortie réduit. Avant de commencer un cycle de charge d'égalisation ponctuel, vous devez attentivement lire les précautions suivantes :

ATTENTION

L'égalisation ne doit être effectuée que sur des batteries de type acide qui supportent ce procédé. Par conséquent, l'Omnicharge ne permet une égalisation que si le sélecteur rotatif de type de batterie est réglé sur ouverte, AGM ou plomb-calcium. D'autres types de batterie tels que les piles sèches ou au lithium seront endommagés par ce procédé. S'il vous plaît être conscient que les fabricants de piles pas tous AGM et plomb-calcium permettent un processus d'égalisation. Suivez toujours les instructions du fabricant de batterie en égalisant des batteries.

Lors de l'égalisation, la batterie génère des gaz explosifs. Suivez toutes les consignes de sécurité liée à la batterie fournies avec votre chargeur. Aérez suffisamment l'espace qui entoure la batterie et assurez-vous qu'aucune source de flammes ou d'étincelles ne se trouve à proximité.

Débranchez toutes les charges connectées à la batterie lors de l'égalisation. La tension appliquée à la batterie pendant ce processus peut être au-dessus des niveaux de sécurité pour certaines charges.

Les chargeurs ne peuvent pas automatiquement fixer quand arrêter l'égalisation d'une batterie. L'utilisateur doit vérifier la gravité propre de la batterie tout au long de ce processus pour fixer la fin du cycle d'égalisation. Le délai d'attente de 1 heures de votre chargeur est uniquement une mesure de sécurité, mais n'est pas suffisamment court pour éviter un dégât au niveau de la batterie. Par conséquent, l'utilisateur doit constamment surveiller le processus d'égalisation de la batterie.

Comme expliqué précédemment, l'Omnicharge ne permet une égalisation que quand le sélecteur rotatif de type de batterie est réglé sur un type de batterie permettant un cycle d'égalisation. D'ailleurs, le chargeur doit également avoir un cycle de charge complet et fonctionner sous le mode Float. Si ces deux conditions sont respectées, le mode de charge d'égalisation peut être activé en appuyant sur le bouton-poussoir encastré en bas du Omnicharge (Voir l'illustrations ci-dessous) pendant 3 secondes jusqu' à ce que tous les témoins d'activité de charge commencent à clignoter.

Le Omnicharge tolérera un temps d'égalisation maximum de 1 heures avant de revenir automatiquement en mode 'Float'. Si la gravité propre à chaque pile ne correspond pas

encore aux caractéristiques de la batterie du fabricant, vous pouvez entamer un nouveau cycle d'égalisation de 1 heures en appuyant à nouveau sur le bouton-poussoir pendant 3 secondes. Continuez toujours de surveiller la gravité propre à chaque pile à plusieurs reprises pendant le processus d'égalisation. Si ces valeurs sont bonnes, vous pouvez quitter manuellement le processus d'égalisation en appuyant une fois sur le bouton-poussoir encastré. Le chargeur reviendra alors en mode 'Float'.

5. CONSEILS DE DÉPANNAGE

Veillez consulter le tableau ci-dessous si vous rencontrez des problèmes avec le Omnicharge et/ou lors de l'installation.

Problème	Cause probable	Solution
Le Omnicharge ne fonctionne pas du tout.	L'interrupteur principal est sur Off (0).	Appuyez sur l'interrupteur d'alimentation pour l'amener à la position "I" ou "II".
	Une tension d'entrée CA est hors plage ou indisponible.	Vérifiez que la tension d'entrée CA est disponible et dans la plage de fonctionnement du chargeur.
	L'interrupteur de commande à distance ou la commande à distance TBS a désactivé le chargeur.	Activez le chargeur à distance ou vérifiez si l'interrupteur de dérivation à distance est correctement réglé.
	Mauvais contact entre les câbles de la batterie de chargeur et les bornes de la batterie.	Nettoyez les bornes de la batterie ou les contacts des câbles de chargeur. Serrez les vis des bornes de la batterie.
	Fusible CC sauté.	Vérifiez le fusible de batterie ou le fusible de sortie de chargeur interne (situé sur le PCB du chargeur).
	Batterie très faible.	Remplacez la batterie.
La batterie ne se charge pas jusqu'à sa capacité maximale.	Mauvais réglage de la tension de charge d'absorption.	Vérifiez que le réglage du sélecteur de type de batterie est correct. Ou bien, réglez la tension d'absorption grâce à TBS Dashboard.
	Mauvais réglage du courant de charge.	Réglez le courant de charge avec la télécommande universelle ou à l'aide du Dashboard TBS. En général, le courant de charge doit être réglé sur 10 %-20 % de la capacité totale de la batterie.

	Trop de perte de tension dans les câbles et/ou les connexions de la batterie.	Assurez-vous que les câbles de la batterie ont un diamètre suffisant. Vérifiez la solidité de toutes les connexions CC.
	Les charges de batterie supplémentaires consomment trop de courant pendant la charge.	Mettez hors circuit ou déconnectez toutes les charges de batterie.
Le courant de charge est trop bas.	Température ambiante élevée.	Essayez d'abaisser la température ambiante autour du Omnicarge.
	Le chargeur fonctionne dans la phase de charge d'absorption.	Ne faites rien. La batterie est presque entièrement chargée et consomme moins de courant à elle seule.
La tension de charge est trop faible.	La tension de charge est compensée par le capteur de température de la batterie pour protéger votre batterie.	Ne faites rien ou essayez de refroidir la température ambiante autour de la batterie.
	Un mauvais type de batterie est sélectionné, ou le programme de charge personnalisé doit être réglé à nouveau.	Sélectionnez le bon programme de charge ou réglez le programme de charge personnalisé en utilisant le TBS Dashboard.
	Câbles CC trop fins.	Installez des câbles CC plus grands. Consultez le tableau de tailles des câbles CC dans le chapitre 2.4.
	Le courant de charge de la batterie est plus élevé que le courant de sortie du chargeur.	Réduisez ou retirez la charge de batterie.
Le voyant LED 'charger on' clignote en rouge une fois par seconde (erreur batterie)	La tension de la batterie est trop basse (doit être > 6V@12V ou > 12V@24V).	La batterie est endommagée, remplacez-la. Ou la batterie a été trop déchargée.
	La tension de la batterie est trop élevée (> 15% des tension de réglage).	Vérifiez si le circuit CC d'une source externe n'augmente pas trop la tension de la batterie.
	La température de la batterie est trop élevée ou trop basse (disponible uniquement quand le capteur de température est installé).	Vérifiez que la batterie se situe dans un meilleur environnement pour charger les batteries.

Le voyant LED 'charger on' clignote en rouge deux fois par seconde (erreur CA).	La tension d'entrée CA est trop élevée ou trop basse.	Vérifiez que la tension d'entrée CA est dans la plage de fonctionnement du chargeur.
Le voyant 'charger on' clignote en rouge trois fois par seconde (erreur de surchauffe du chargeur).	L'écoulement d'air autour du chargeur est obstrué.	N'oubliez pas de garder un espace d'au moins 10 centimètres autour du chargeur. Retirez tout objet placé sur ou au-dessus du chargeur. Eloignez le chargeur de la lumière directe du soleil ou d'un dispositif de chauffage.
	Température ambiante trop élevée.	Déplacez le chargeur vers un environnement plus frais ou apportez de l'air frais via un ventilateur externe.
Le voyant LED 'charger on' clignote en rouge quatre fois par seconde (erreur de chargeur).	Détection d'une erreur interne.	Veillez rapporter le chargeur au détaillant le plus proche pour réparation.

Si aucune des solutions ci-dessus ne vous permet de résoudre votre problème, il est préférable de contacter votre distributeur local TBS pour obtenir une assistance supplémentaire et/ou procéder à la réparation éventuelle de votre Omnicharge. Ne démontez pas vous-même le Omnicharge car il renferme des tensions dangereusement élevées et cela annulera votre garantie.

6. CARACTÉRISTIQUES TECHNIQUES

Paramètres	OC12-90	OC24-50	OC24-80
Tension d'entrée AC	100-260Vac / 47-63Hz / PF > 0.9		180-260Vac
Consommation à pleine charge	1550VA	1700VA	2750VA
Courant d'entrée AC (115V/230V)	13.5A / 6.8A	15A / 7.5A	- / 12A
Courant total de sortie ^{1) 4)}	90A	50A	80A
Tension de sortie (nom.) ¹⁾	12Vdc	24Vdc	
Nombre de sorties	3 (isolés dans leur propre pays)		
Caractéristique de la charge ²⁾	IUoUoP, étapes intelligentes, a comp. thermique		
Tension d'“Absorption” ²⁾	14.4Vdc	28.8Vdc	
Tension d'“Float” ²⁾	13.5Vdc	27.0Vdc	
Tension d'“Égalisation” ²⁾	15.8Vdc	31.6Vdc	
Types de batteries admises ²⁾	Batterie à liquide / Gel / AGM / LiFePO4 / Custom		
Capacité de batterie conseillée ³⁾	180-900Ah	100-500Ah	160-800Ah
Appel de courant DC	< 0.1mA (chargeur désactivé)		
Températures d'exploitation	-10°C...+55°C		
Températures de stockage	-20°C...+70°C		
Refroidissement	Ventilateur variable		
TBSLink opérationnel	Oui		
Protections	Basse tension AC, court-circuit de sortie, Température trop élevée, surcharger de batterie et polarité renversée		
Indications	activé, barre du courant de sortie et de l'état de charge		
Raccordement sortie CC	4x M8 boulons		
Raccordement entrée CA	Bornier		
Dimensions du boîtier	370 x 271 x 132mm		
Poids	6.2kg		
Degré de protection	IP21 (montage vertical)		
Conformité aux normes	La marque CE. EMC : EN55016-2-1(/A1), EN55016-2-3(/A1), EN 61000-4-2(3/4/5/6). Sécurité: EN60335-1, EN60335-2-29		

Remarque : les données ci-dessus peuvent être modifiées sans avis préalable.

- 1) Le courant de sortie maximum toléré est +/-5%. Les écarts de tension de point de consignes maximum sont +/- 1%. Les tensions de point de consignes sont compensés thermiquement lorsque le capteur de température de la batterie est branchée.
- 2) La valeur est programmable.
- 3) Consultez toujours les caractéristiques des batteries de votre fabricant pour un courant de charge maximum admissible.
- 4) A des températures ambiantes plus élevées (>40°C), le courant de sortie maximum peut être automatiquement réduit.



Veillez respecter le règlement de votre région et ne jetez pas vos produits usagés dans les déchets ménagers. En s'assurant que vos produits usagés ont été mis au rebut de manière appropriée, vous aiderez à prévenir les conséquences négatives et potentielles pour l'environnement et la santé humaine.

7. GARANTIE / LIMITE DE RESPONSABILITÉ

TBS Electronics (TBS) garantit que ce produit est libre de tout défaut de fabrication ou du matériel pour une période de 24 mois à dater de la date d'achat. Pendant cette période TBS réparera l' produit défectueux gratuitement. TBS n'est pas responsable des frais de transports éventuellement occasionnés par la réparation.

Cette garantie est annulée si l' produit a souffert de dommages physiques ou d'une altération, interne ou externe, et ne couvre pas les dommages dus à un usage impropre¹⁾, ou l'utilisation dans un environnement inadéquat.

Cette garantie ne s'appliquera pas si l'appareil a été mal utilisé, négligé, incorrectement installé ou réparé par quelque d'autre que le TBS. Le fabricant n'est pas responsable des pertes, dommages ou coûts occasionnés par un usage incorrect, par un usage dans un environnement impropre, par une installation incorrecte de l'appareil ou par une disfonctionnement de chargeur.

Comme le fabricant ne peut pas contrôler l'usage et l'installation des produits TBS, le client est toujours responsable pour l'usage actuel des produits TBS. Les produits TBS ne sont pas conçus pour être utilisés comme composants d'une installation de maintenance vitale qui peut potentiellement blesser les hommes ou l'environnement. Les clients sont toujours responsables quand ils installent les produits TBS pour ce type d'applications. Le fabricant n'accepte aucune responsabilité en cas de violation des brevets ou autres droits des tierces parties, résultant de l'usage des produits TBS. Le fabricant se réserve le droit de changer les spécifications du produit sans préavis.

1) Exemples d'usage incorrect :

- Voltage trop important à l'entrée
- Inversion des polarités
- Dégâts internes ou externes dus à une mauvaise manipulation ou à un mauvais emballage
- Contact avec des liquides ou oxydation causée par la condensation.
- Branchement de mauvaises batteries (tensions de batterie trop élevées)

8. DÉCLARATION DE CONFORMITÉ CE

Voir page 24.

TABLA DE CONTENIDOS

1. INTRODUCCIÓN	89
2. INSTALACIÓN.....	90
2.1 Desembalaje.....	90
2.2 Montaje	90
2.3 Acceso al compartimento de conexión	91
2.4 Detalles de cableado	92
2.4.1 Detalles de cableado.....	94
2.4.2 Conexiones de la parte inferior	95
2.5 Funcionamiento en paralelo	95
3. CONFIGURACIÓN DEL OMNICHARGE	96
3.1 Selección del programa de carga correcto	96
3.2 Programas de carga	98
4. FUNCIONAMIENTO GENERAL.....	100
4.1 Omnicarge Mostrar y control visión general	100
4.2 Baterías de carga	101
4.3 Ecuilización de una batería	102
5. GUÍA DE RESOLUCIÓN DE PROBLEMAS	104
6. ESPECIFICACIONES TÉCNICAS.....	107
7. CONDICIONES DE LA GARANTÍA.....	108
8. DECLARACIÓN DE CONFORMIDAD.....	108

1. INTRODUCCIÓN

Gracias por adquirir un cargador TBS Electronics (TBS) Omnicharge. Por favor, lea este manual de usuario para conocer cómo utilizar el producto de manera adecuada y segura. Guarde este manual de usuario y el resto de la documentación incluida cerca del producto por si necesita consultarlos en el futuro. Para obtener la revisión más reciente del manual, consulte la sección de descargas de nuestro sitio Web.

El objetivo de este manual de usuario es proporcionar las explicaciones y los procesos para la instalación, configuración y funcionamiento del cargador de batería. Las instrucciones de instalación van dirigidas para instaladores que deberían tener conocimientos y experiencia en la instalación de equipos eléctricos, conocimiento de los códigos de instalación aplicables y consciencia de los riesgos envueltos en el desempeño de trabajos eléctricos y de cómo reducirlos.



ADVERTENCIA

Antes de seguir con este manual de usuario, lea atentamente el folleto de seguridad adjunto.

2. INSTALACIÓN

2.1 Desembalaje

La caja debe contener los siguientes elementos :

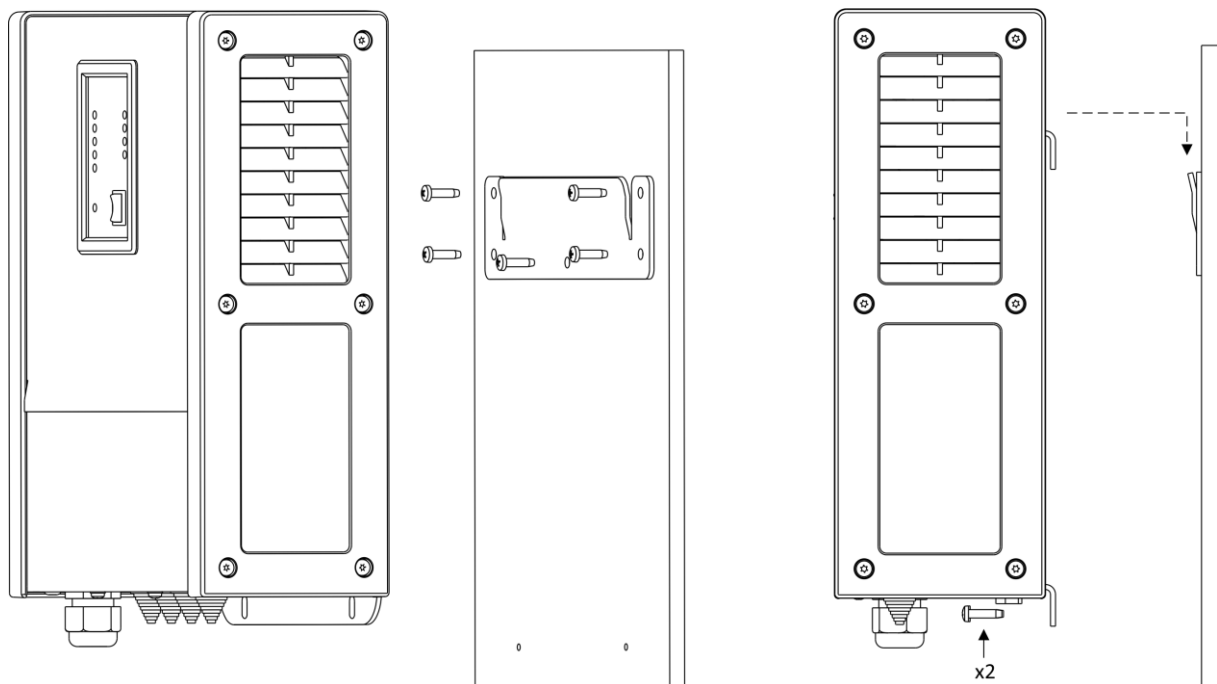
- Cargador
- Soporte de pared
- Sensor de temperatura (3 m)
- Manual de usuario
- Folleto de seguridad
- Etiquetas de advertencia del cargador
- 2x terminales de crimpado M8
- 7x tornillos de fijación

! PRECAUCIÓN

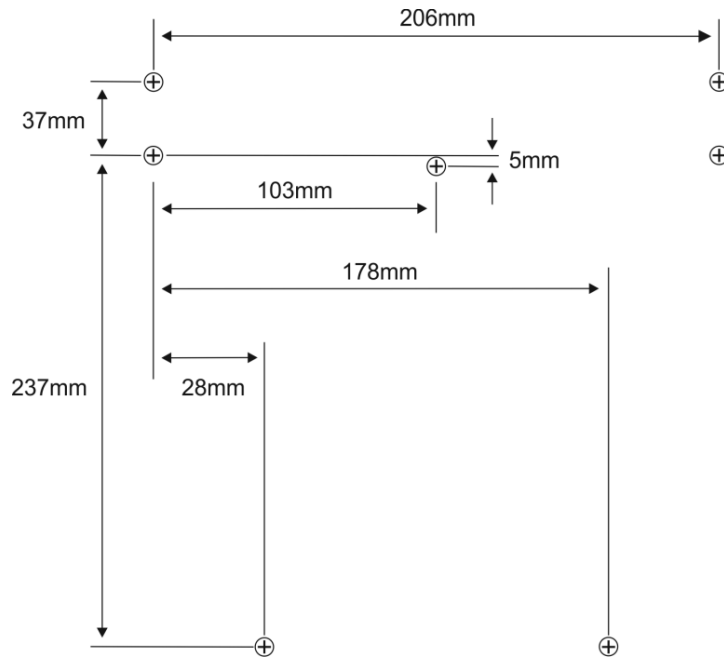
Después de sacar el contenido de la caja, compruebe si el producto presenta algún daño mecánico. No utilice nunca el producto si la carcasa presenta algún daño visual provocado por una manipulación incorrecta o si ha sufrido una caída accidental. Contacte con su proveedor local para más información.

2.2 Montaje

Por favor vea la imagen de abajo para el método de montaje.



La imagen en la siguiente página muestra las distancias entre los agujeros de taladro.



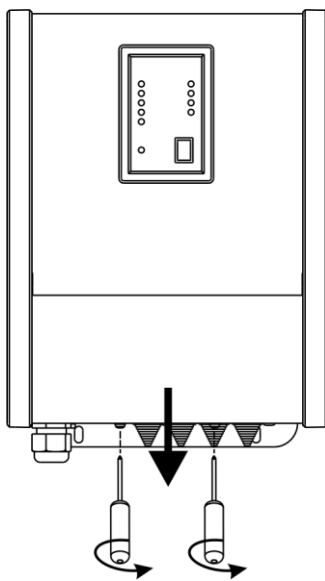
! PRECAUCIÓN

Deje una distancia de al menos 10 cm alrededor de este producto con fines de ventilación. Siempre monte este producto en posición vertical. También se permite el montaje en el suelo, siempre y cuando se utilicen los 7 tornillos para asegurar el cerramiento.

⚡ ADVERTENCIA

Para reducir el riesgo de explosión, no utilice nunca el cargador en lugares donde haya peligro de explosiones de gas o de polvo, o donde sea obligatorio un equipo protegido contra incendios. No instale nunca el cargador directamente sobre la batería o viceversa.

2.3 Acceso al compartimento de conexión

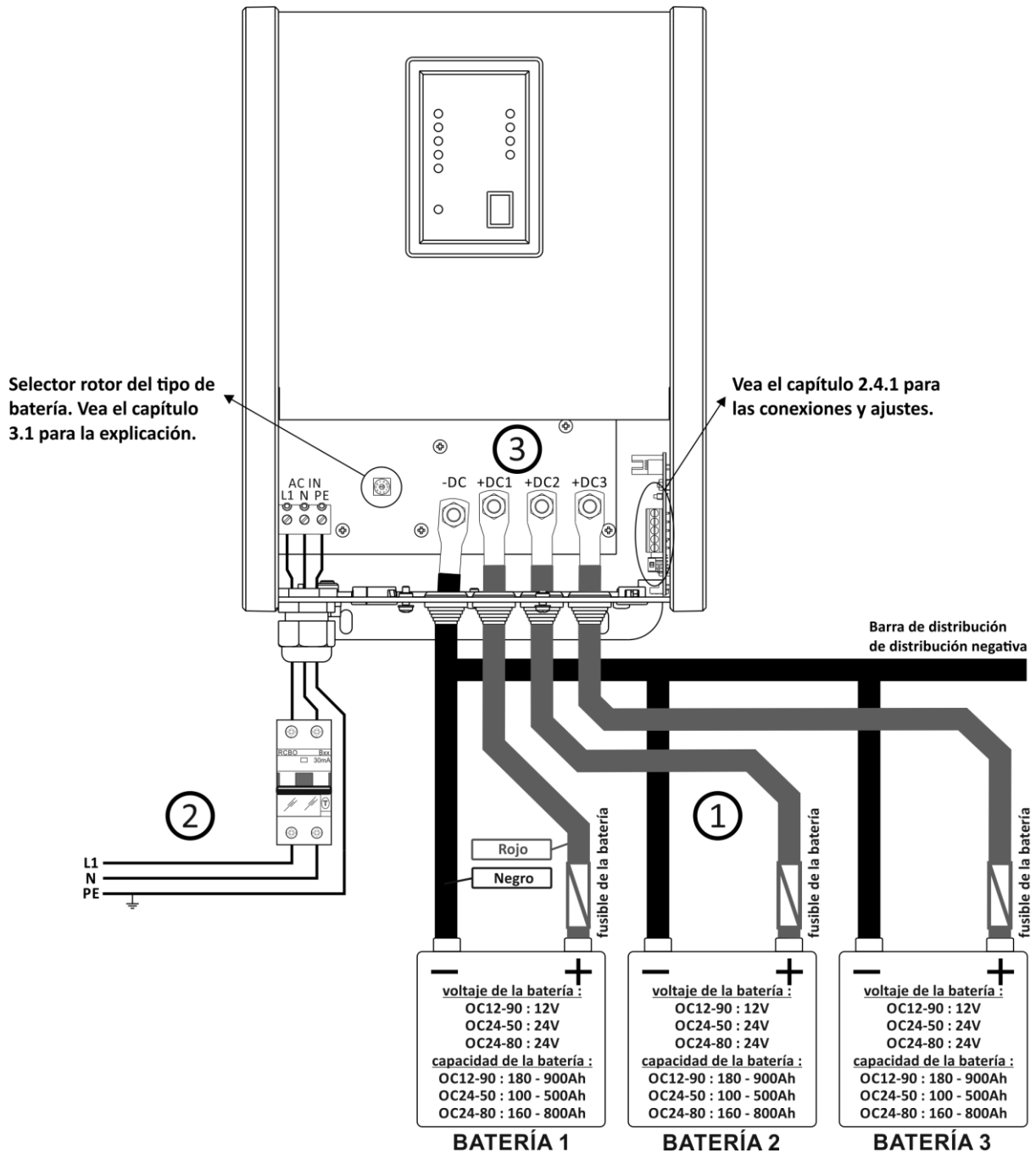


Para acceder al compartimento de conexión, extraiga los dos tornillos indicados arriba y deslice hacia abajo la tapa roja del compartimento de conexión.

Nunca utilice este producto sin volver a instalar la tapa!

2.4 Detalles de cableado

Por favor vea la imagen de abajo para los detalles de cableado.



- ① Consulte la siguiente tabla para determinar el cable de la batería y tamaño de fusible correcto para cada modelo. Utilizar un cable de un tamaño menor o más largo provocará pérdidas adicionales y puede resultar en baterías cargadas incorrectamente. Peligro de incendio y quemaduras si los cables de la batería no tienen el tamaño adecuado para la corriente prevista. No se recomienda que los cables de la batería tengan una longitud superior a 6 metros.

Modelo	Grosor del cable DC (longitud ≤ 3 m)	Grosor del cable DC (longitud = 3 to 6m)	Fusible de la batería (typo rápido)
OC12-90	35mm ²	50mm ²	100-120Amp
OC24-50	25mm ²	35mm ²	60-80Amp
OC24-80	35mm ²	50mm ²	100-120Amp

- ② La entrada de CA debe estar protegida por un disyuntor de pérdidas a tierra con protección de sobrecorriente (RCBO) que pueda soportar el consumo máximo nominal de corriente del cargador sin desconectarse. Todo el cableado de CA debe ser del tamaño conforme. Consulte la siguiente tabla para determinar el cableado de AC y el tamaño de RCBO correcto.

Modelo	Grosor del cable AC / RCBO (220-240VAC)	Grosor del cable AC / RCBO (100-120VAC)
OC12-90	1.5mm ² / 8A (30mA)	2.5mm ² / 16A (30mA)
OC24-50	1.5mm ² / 10A (30mA)	4mm ² / 20A (30mA)
OC24-80	2.5mm ² / 16A (30mA)	-

Asegúrese de que la información en esta tabla está conforme con todas las regulaciones eléctricas locales aplicables.

- ③ Hasta 3 baterías pueden estar conectadas al cargador. Cada salida puede suministrar la corriente de carga total nominal. La corriente total de carga de las 3 salidas combinadas, nunca excederá la corriente de carga máxima nominal. Las tres salidas están aisladas entre ellas por rectificadores activos de alta eficiencia.



ADVERTENCIA

El esquema de arriba muestra una instalación típica independiente. Ninguna garantía se da en el cumplimiento de cualquier normativa eléctrica local. Por favor asegúrese de que la completa instalación se realiza de acuerdo con todas las normativas eléctricas locales aplicables.



ADVERTENCIA

Este producto de Clase I debe tener toma de tierra. Conecte siempre el cable de tierra o el tornillo del chasis de tierra a la parte inferior del cerramiento.



PRECAUCIÓN

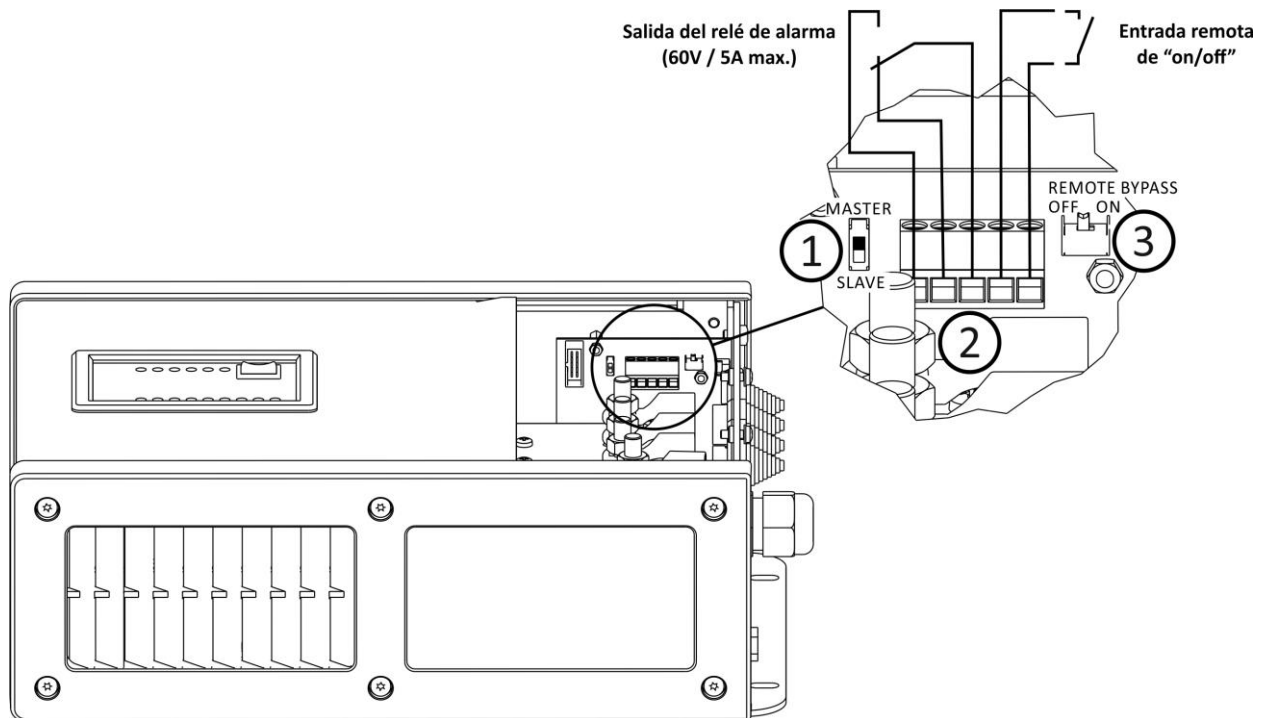
Conecte siempre el cable negativo (-) directamente al terminal negativo de la batería, o al lado de la carga de una derivación de corriente. Mantenga siempre los cables positivos y negativos cerca para reducir los campos electromagnéticos. Compruebe que la polaridad es correcta antes de conectar los cables de la batería a la batería.

PRECAUCIÓN

Introduzca todo el cableado del compartimento de conexión a través de los pasacables de goma y el sujeta-cables de plástico.

2.4.1 Detalles de cableado

La siguiente imagen muestra las conexiones del panel de control y las opciones de los interruptores.



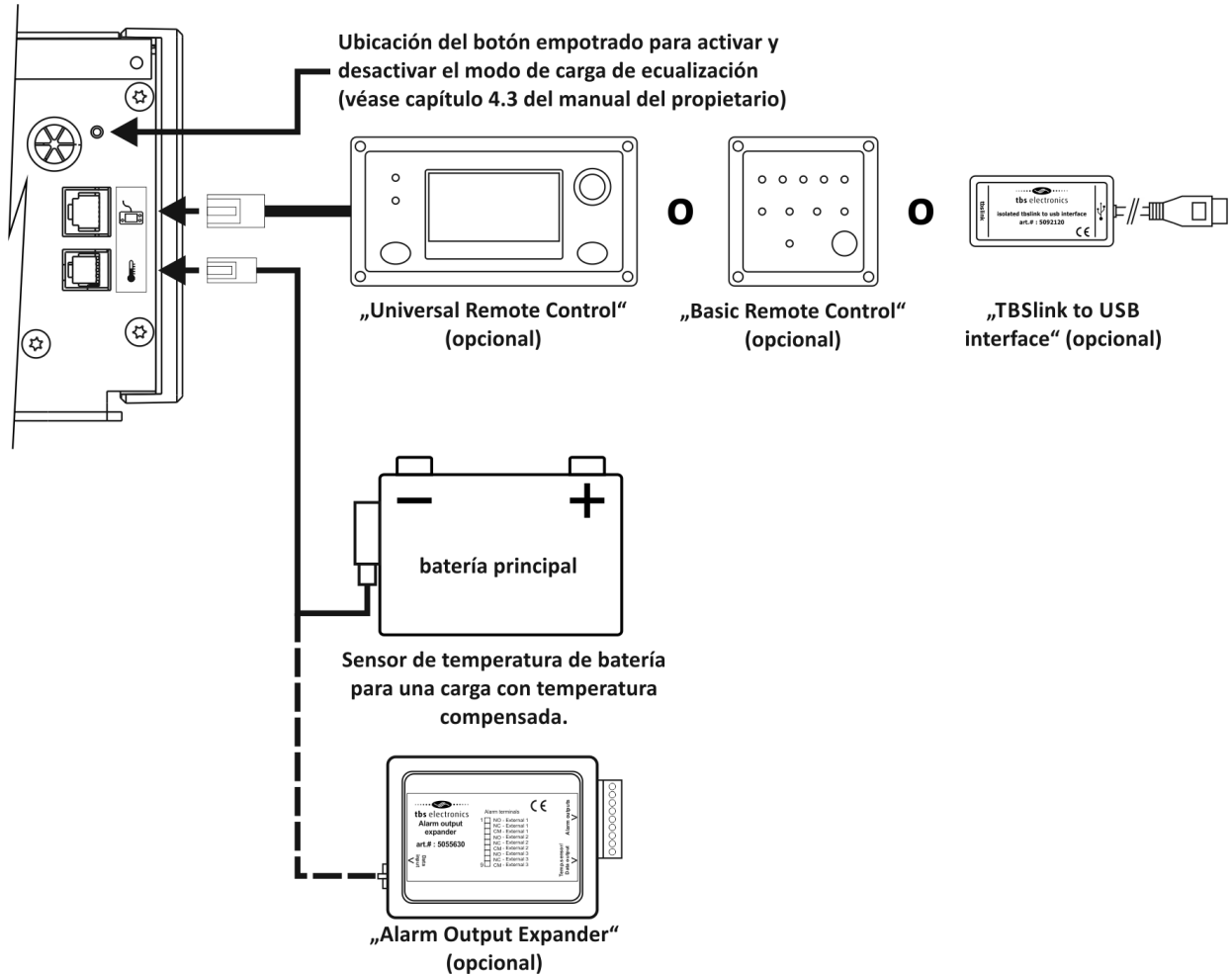
- ① Posición de interruptor maestro/esclavo (“Master/Slave”). El interruptor debe estar colocado en la posición ‘MAESTRO’ cuando hay un único cargador instalado. La posición ‘ESCLAVO’ sólo es relevante para sistemas de carga en paralelo.
- ② Bloque terminal con tornillo de 5 posiciones. Las primeras tres posiciones están conectadas a los contactos de ‘normalmente abierto’, ‘normalmente cerrado’ y ‘común’ del relé de alarma interno. Este relé se activará cuando el cargador se cierre a un modo de error. Cuando la condición del error se haya solucionado, este relé se desactivará de nuevo. Asegúrese de no exceder la tasa de contacto de relé máxima de 60V y 5A para evitar dañar el relé o el circuito impreso.

En las posiciones 4° y 5° del terminal de tornillo, se puede conectar un interruptor externo para encender y apagar el cargador a distancia. Este interruptor puede estar situado hasta a 50 metros de distancia del cargador. Se recomienda utilizar un tamaño de cable de 1mm² (AWG17) para la conexión del interruptor remoto. Desde el interruptor remoto se puede utilizar cualquier interruptor monopolar. Sólo se encenderá desde esta línea una señal de baja potencia.

- ③ Posición de interruptor de derivación remota. Cuando se conecta un interruptor remoto al bloque terminal de tornillo de 5 polos, el interruptor de derivación remota debe estar situado en APAGADO. Cuando no se usa ningún interruptor remoto, el interruptor de derivación remota debe estar situado en ENCEDIDO.

2.4.2 Conexiones de la parte inferior

Por favor vea la siguiente imagen para las conexiones del lado de abajo.



2.5 Funcionamiento en paralelo

Se pueden conectar en paralelo hasta 6 cargadores de batería del mismo modelo, para alcanzar niveles de corriente de carga muy elevados. Este manual no muestra detalles de conexión o funcionamiento de sistemas de cargadores en paralelo. Estos detalles se explican en la documentación que se incluye en el "Omnicharge XL Parallel Kit (art.# 5029950)" opcional.

3. CONFIGURACIÓN DEL OMNICHARGE

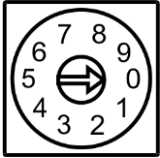

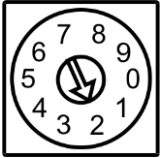
3.1 Selección del programa de carga correcto

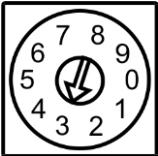

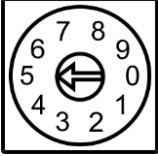
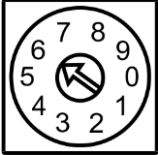
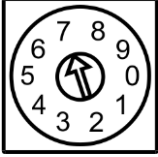
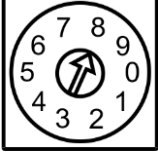
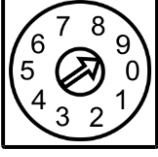
La imagen en el capítulo 2.4 mostraba la ubicación del selector rotor, que se utiliza para seleccionar el programa de carga deseado. La selección del programa de carga depende del tipo de batería que se necesite cargar. Cada tipo de batería tiene su propio volumen típico y voltaje de carga de flotación. Cuando su tipo de batería o el voltaje óptimo de carga no estén aún disponibles en la lista estándar, puede seleccionar la posición del rotor '0' y configurar el cargador de batería utilizando el TBS "Dashboard" para software Windows. Este software se incluye en el "TBSLink to USB Communication Kit" (art.# 5092120), que también contiene una caja de interfaz aislada que se necesita para conectar el Omnicharge a un ordenador. Al utilizar el TBS "Dashboard", se pueden editar todos los parámetros disponibles, y también es posible editar o crear sus propios programas de carga de batería.

! PRECAUCIÓN

Una configuración de batería no válida podría dañar gravemente sus baterías y/o las cargas de batería conectadas. Consulte siempre la documentación de su batería para conocer los ajustes de voltaje de carga correctos.

En la siguiente tabla se explican todos los ajustes.

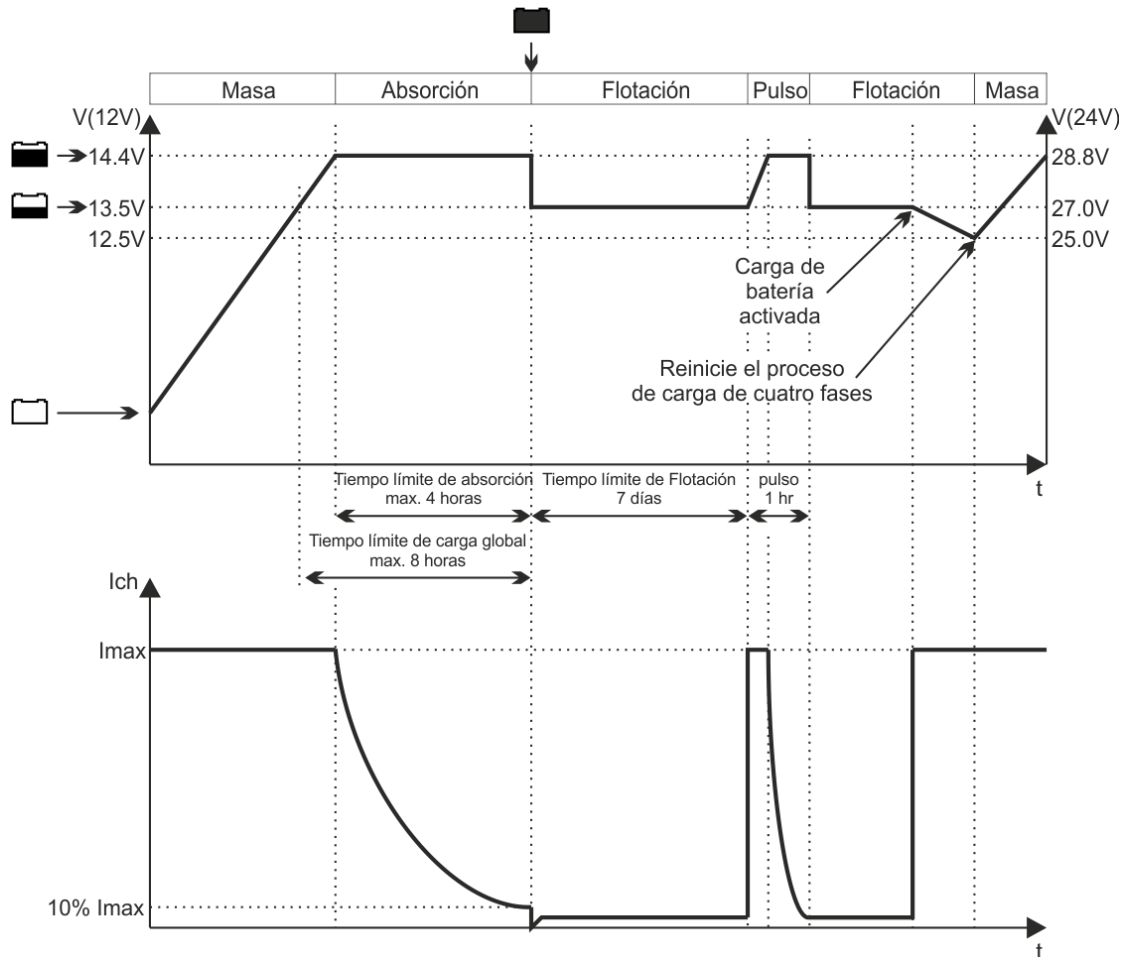
Posición del selector	Tipo de batería	Ajustes de voltaje (12V /24V) y temporizador máximo
 Posición 0	Personalizado (vacío de fábrica)	Los ajustes de voltaje para esta posición están vacíos. Conecte el cargador a un ordenador que ejecute el TBS "Dashboard" y cree un programa de carga personalizado para guardarlo en esta posición. Si no lo hace, el cargador devolverá un mensaje de error cuando el selector se sitúa en '0'.
 Posición 1	"Flooded" (opción predeterminada de fábrica)	Voltaje de "Absorption" = 14.40V o 28.80V Voltaje de "Float" = 13.50V o 27.00V Voltaje de "Equalize" = 15.80V o 31.60V Máx. "bulk" tiempo = 8h Máx. "absorption" tiempo = 4h
 Posición 2	"GEL"	Voltaje de "Absorption" = 14.20V o 28.40V Voltaje de "Float" = 13.50V o 27.00V Voltaje de "Equalize" = Ecuilización no disponible Máx. "bulk" tiempo = 8h Máx. "absorption" tiempo = 4h

 Posición 3	“AGM” <i>(también para Optima SpiralCell)</i>	Voltaje de “Absorption” = 14.70V o 29.40V Voltaje de “Float” = 13.65V o 27.30V Voltaje de “Equalize” = 15.50V o 31.00V Máx. “bulk” tiempo = 8h Máx. “absorption” tiempo = 4h
 Posición 4	“Lead Calcium”	Voltaje de “Absorption” = 14.80V o 29.60V Voltaje de “Float” = 13.50V o 27.00V Voltaje de “Equalize” = 15.80V o 31.60V Máx. “bulk” tiempo = 16h Máx. “absorption” tiempo = 8h
 Posición 5	“LiFePO4”	Voltaje de “Absorption” = 14.40V o 28.80V Voltaje de “Float” = 13.80V o 27.60V Voltaje de “Equalize” = Ecuilización no disponible Máx. “bulk” tiempo = 12h Máx. “absorption” tiempo = 12h
 Posición 6	Vacío	Reservado para usos futuros. Si se selecciona de todos modos, el cargador devolverá un mensaje de error.
 Posición 7	Vacío	Reservado para usos futuros. Si se selecciona de todos modos, el cargador devolverá un mensaje de error.
 Posición 8	Vacío	Reservado para usos futuros. Si se selecciona de todos modos, el cargador devolverá un mensaje de error.
 Posición 9	Vacío	Reservado para usos futuros. Si se selecciona de todos modos, el cargador devolverá un mensaje de error.

Este manual sólo describe los ajustes del selector de rotor. La configuración mediante el TBS “Dashboard” se explicará en el manual del panel de control TBS que viene con el “TBSLink to USB Communication Kit”.

3.2 Programas de carga

Todos los programas de carga seleccionables estándar, ejecutan un proceso de carga IUoUoP de cuatro fases compuesto por una fase de Masa (“Bulk”), Absorción (“Absorption”), Flotación (“Float”) y Pulso (“Pulse”). La siguiente imagen muestra el proceso de carga de cuatro fases :



En la fase de Masa, el cargador suministra toda la corriente de salida y normalmente devuelve aproximadamente el 80% de la carga a la batería una vez que se ha alcanzado la corriente de absorción. Durante esta fase, los indicadores 3d y 3c (ver la imagen del panel frontal en el capítulo 4.1) estarán iluminados, dependiendo del progreso de la carga de Masa.

Una vez alcanzada la corriente de absorción, se entrará en la fase de Absorción y se iluminará el indicador 3b. En esta fase se devuelve el último 20% de la carga a la batería. La corriente de salida se mantiene a un nivel constante y la corriente de carga disminuye en función del estado de carga de la batería. Cuando la corriente de carga caiga por debajo de cierto valor o cuando se consume todo el tiempo de absorción, comenzará la fase de Flotación.

Se iluminará el indicador 3a y sonará una señal acústica indicando que la batería está totalmente cargada. En esta fase, la corriente de carga se mantendrá a un nivel seguro para

la batería. Mantendrá la batería en condiciones óptimas mientras ésta se mantenga conectada al cargador activado. Las cargas de batería conectadas serán alimentadas directamente por el cargador hasta el nivel de corriente máximo del cargador. Cuando se inyecta más corriente, la batería debe suministrarla, por lo que disminuye la corriente de la batería. A un cierto nivel de corriente de batería, el cargador salta a la fase de Masa y completa todo el proceso de carga de cuatro fases de nuevo, una vez que el consumo de carga de la batería haya caído por debajo del nivel de corriente de salida máximo del cargador.

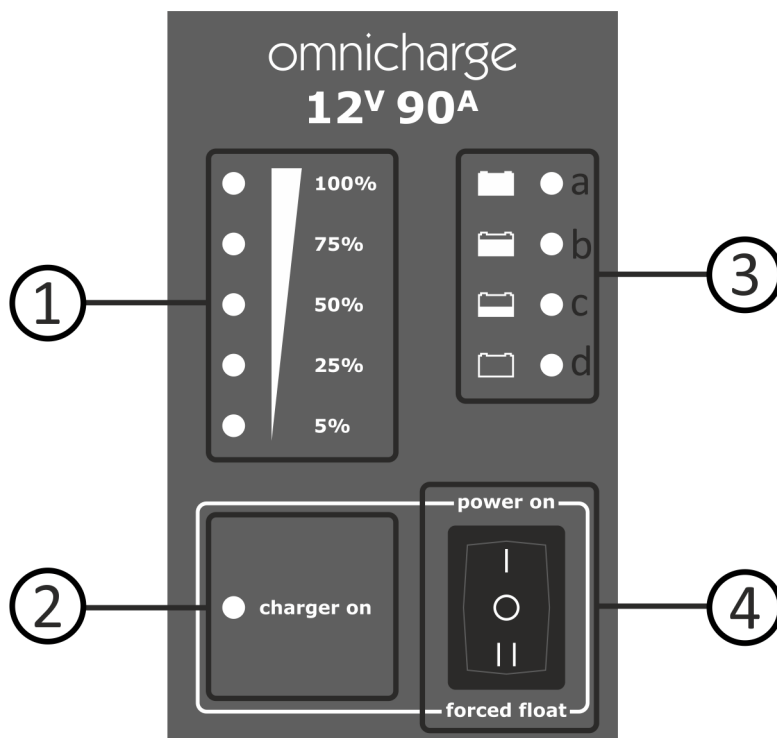
En la cuarta fase, denominada “Pulso”, se realizará una breve carga de refresco de aproximadamente una hora cada siete días, mientras el cargador funciona en la fase de Flotación. De esta manera se mantiene la batería en condiciones óptimas, a la vez que se prolonga su vida útil. La batería puede permanecer conectada al cargador activado de manera continua, sin riesgo de sobrecarga.

Cuando el sensor de temperatura de la batería está instalado, el cargador compensa automáticamente las corrientes de carga según la temperatura. Esto significa que las corrientes de carga aumentan ligeramente con temperaturas más bajas y disminuyen con temperaturas más altas ($-30\text{mV}/^{\circ}\text{C}$ con cargadores de 12V y $-60\text{mV}/^{\circ}\text{C}$ con cargadores de 24V). De esta manera, se evita la sobrecarga y se prolonga la vida útil de la batería.

4. FUNCIONAMIENTO GENERAL

4.1 Omnicharge Mostrar y control visión general

Observe la siguiente imagen, donde se muestran todos los indicadores LED del panel delantero del Omnicharge, así como la ubicación del interruptor principal.



El panel delantero puede dividirse en cuatro secciones:

- ① Barra de corriente de salida. indica el porcentaje de la corriente de salida suministrada.
- ② Indicador de modo. Indica el modo de funcionamiento del cargador

Indicador de modo	Descripción
Verde continuo	Encendido, funcionamiento normal
Rojo parp. (1 parpadeo por seg.)	<p>Error de batería</p> <p><i>Un error de la batería puede surgir por diversos motivos. Estos son: el voltaje de la batería es demasiado bajo (demasiado descargada) o demasiado alto, y la temperatura de la batería es demasiado alta o demasiado baja (sólo disponible cuando está conectado el sensor de temperatura de la batería). El cargador no se reiniciará automáticamente en modo de error de batería, excepto cuando este error haya sido generado por un voltaje de batería demasiado bajo o una temperatura demasiado baja.</i></p>
Rojo parp. (2 parpadeos por seg.)	voltaje de entrada de CA alto/bajo

Rojo parp. (3 parpadeos por seg.)	Alta temperatura en el cargador <i>El cargador se reinicia automáticamente cuando la temperatura se encuentra por debajo.</i>
Rojo parp. (4 parpadeos por seg.)	Error en el cargador (devolver para reparar)


- ③ Barra de estado de carga Una indicación aproximada del progreso de la carga.

LED 3a : 100% completo (listo)
 LED 3b : 80% completo
 LED 3c : 50% completo
 LED 3d : vacío

- ④ “power on, off, forced float” interruptor

posición del interruptor	Descripción
“0”	el cargador está apagado <i>Cuando el interruptor está en la posición “0”, no interrumpe ninguna fuente de CA o CC. ¡Esto significa que sigue habiendo voltajes letales dentro del cargador! En la posición “0”, el cargador seguirá consumiendo una pequeña cantidad de corriente de CA.</i>
“1”	El cargador se enciende en el modo de carga normal.
“11”	El cargador funciona en modo flotación forzada. <i>En este modo, la corriente de salida del cargador se ajusta constantemente a la corriente de flotación (el valor depende del tipo de batería seleccionado) mientras puede suministrar toda la corriente nominal. Dado que no se activan programas de carga automáticos en este modo, puede utilizarse para una carga de corriente constante o usar el cargador como una toma de corriente para la batería.</i>

4.2 Baterías de carga

 PRECAUCIÓN
<p>Antes de empezar a cargar las baterías, lea todas las instrucciones y advertencias de seguridad incluidas y siga todas las precauciones de seguridad relativas a la manipulación de baterías.</p>

La siguiente lista describe de manera general los pasos a seguir para cargar las baterías :

1. Ponga el interruptor del cargador en la posición “0” (Apagado) y desconecte el suministro de CA.
2. Si es posible, desconecte o apague todas las cargas de la batería
3. Conecte la batería al cargador
4. Active el suministro de CA y encienda el cargador poniendo el interruptor en la posición “1” (encendido). Después de un bip de dos tonos, el cargador iniciará el proceso de carga.

5. Una vez finalizada la carga, ponga el interruptor en la posición "O" y apague el suministro de CA de nuevo, antes de desconectar la batería. O bien, no toque ninguna conexión ni la posición del interruptor y simplemente vuelva a conectar todas las cargas de la batería.

4.3 Ecuación de una batería

Su utiliza una batería de plomo, es posible que el fabricante recomiende un ciclo de carga de ecuación ocasional. También se recomienda cuando la batería está muy descargada o cargada de manera incorrecta. Durante la ecuación, la batería se cargará hasta 15,5V (o 31V para los modelos de 24V) a un nivel de corriente de salida reducido. Antes de iniciar un ciclo de carga de ecuación, es necesario leer atentamente las siguientes indicaciones :

PRECAUCIÓN

La ecuación sólo se debería realizar sobre un tipo de batería de plomo que admita este proceso. Por lo tanto, el Omnicharge sólo permite la ecuación cuando el selector rotor de tipo de batería está situado en Inundada, AGM o Plomo calcio. Otros tipos de batería como GEL o Litio quedarían dañadas por este proceso. Tenga en cuenta que no todos los fabricantes de baterías AGM y Plomo calcio permiten el proceso de ecuación. Siga siempre las instrucciones del fabricante de la batería al ecuación baterías.

Durante la ecuación, la batería genera gases explosivos. Siga todas las indicaciones de seguridad de la batería incluidas en su cargador. Ventile bien la zona alrededor de la batería y asegúrese de que no haya fuentes de ignición o chispas en las proximidades.

Desconecte todas las cargas conectadas a la batería durante la ecuación. El voltaje aplicado a la batería durante este proceso debe cumplir los niveles de seguridad para algunas cargas.

Los cargadores no pueden determinar automáticamente cuándo detener la ecuación de una batería. El usuario deberá supervisar la gravedad específica de la batería a lo largo del proceso para determinar cuándo finalizar el ciclo de ecuación. El temporizador interno de 1 hora de su cargador tiene un fin de seguridad, pero puede que no sea lo bastante corto como para evitar daños en la batería. Por lo tanto, ecuación una batería es siempre un proceso que debe estar bajo la supervisión continua del usuario.

Como se ha explicado anteriormente, el Omnicharge sólo permitirá la ecuación cuando el selector rotor de tipo de batería está situado en un tipo de batería que permita el ciclo de ecuación. Asimismo, el cargador necesita también completar un ciclo de carga completo y que esté funcionando en el modo de Flotación ("Float"). Cuando se reúnan estas dos condiciones, el modo de carga de ecuación puede activarse pulsando el botón empotrado de la parte inferior del cargador durante 3 segundos, hasta que todos los indicadores de estado de carga empiecen a parpadear.

El cargador permitirá un tiempo de ecuación máximo de 1 hora antes de saltar automáticamente al modo de Flotación. Si la gravedad específica de cada célula no concuerda todavía con las especificaciones del fabricante de la batería, puede iniciar un



nuevo ciclo de ecualización de 1 horas pulsando otra vez el botón durante 3 segundos. No deje de comprobar continuamente la gravedad específica de cada célula durante el proceso de ecualización. Cuando los valores sean correctos, puede salir manualmente del proceso de ecualización pulsando el botón empotrado una vez. El cargador volverá al modo de Flotación.

5. GUÍA DE RESOLUCIÓN DE PROBLEMAS

Consulte la siguiente tabla si tiene problemas con el Omnicharge y/o la instalación.

Problema	Posible causa	Solución
El Omnicharge no funciona de ninguna manera.	Interruptor principal en posición Off (0).	Ponga el interruptor de encendido en la posición 'I' o 'II'.
	El voltaje de entrada de CA está fuera de rango o no está disponible.	Asegúrese de que el voltaje de entrada de CA esté disponible y dentro del rango operativo del cargador.
	El interruptor remoto o el Control remoto de TBS ha desactivado el cargador.	Active el cargador de forma remota o compruebe si el interruptor de derivación remota está ajustado correctamente.
	Mal contacto entre los cables de batería del cargador y los terminales de la batería.	Limpie los terminales de la batería o los contactos de los cables del cargador. Apriete los tornillos del terminal de la batería.
	Fusible de CC fundido.	Compruebe el fusible de la batería o el fusible de salida interno del cargador (situado en el circuito impreso del cargador).
	Batería en muy mal estado.	Sustituya la batería.
La batería no se carga hasta su capacidad máxima.	Ajuste de voltaje de carga de absorción incorrecto.	Compruebe el selector de tipo de batería para establecer los ajustes correctos. O ajuste el voltaje de absorción utilizando el TBS "Dashboard".
	Ajuste de corriente de carga incorrecto.	Ajuste la corriente de carga con el Control remoto universal o el TBS "Dashboard". En condiciones normales, la corriente de carga debe estar entre el 10%-20% de la capacidad total de la batería.

	Demasiada pérdida de voltaje en los cables de la batería y/o las conexiones.	Asegúrese de que los cables de la batería tengan el diámetro suficiente. Compruebe si se han realizado correctamente todas las conexiones de CC.
	Las cargas de batería adicionales están consumiendo demasiada corriente durante la carga.	Apague o desconecte todas las cargas de la batería.
La corriente de carga está demasiado baja.	Temperatura ambiente elevada.	Trate de reducir la temperatura ambiente alrededor del Omnicharge.
	El cargador está funcionando en la fase de carga de absorción.	No haga nada. La batería está cargada casi completamente y consume menos corriente por sí misma.
El voltaje de carga es demasiado bajo.	El voltaje de carga se está compensando con el sensor de temperatura de la batería para proteger su batería.	No haga nada o trate de reducir la temperatura ambiente alrededor de la batería.
	Tipo erróneo de batería seleccionado, o el programa de carga personalizado necesita ser reajustado.	Seleccione el programa de carga correcto o ajuste el programa de carga personalizado utilizando TBS "Dashboard".
	Cables de CC demasiado finos.	Instale cables de CC más grandes. Vea la tabla de tamaños de cables de CC en el capítulo 2.4.
	La corriente de carga de la batería es superior a la corriente de salida del cargador.	Reduzca o quite la carga de la batería.
El indicador LED de 'charger on' está parpadeando en rojo una vez por segundo (error de batería).	Voltaje de batería demasiado bajo (debe ser > 6V@12V o > 12V@24V).	La batería está averiada, sustitúyala. O la batería se ha descargado en exceso.
	Voltaje de batería demasiado alto (> 15% de la tensión de ajuste).	Compruebe si hay en el sistema de CC una fuente externa que esté suministrando demasiada corriente a la batería.

	La temperatura de la batería es demasiado alta o demasiado baja. (sólo disponible cuando el sensor de temperatura está instalado).	Asegúrese de que la batería está situada en un mejor entorno para cargar baterías.
El indicador LED de 'charger on' está parpadeando en rojo dos veces por segundo (error de CA).	El voltaje de entrada de CA es demasiado alto o demasiado bajo.	Asegúrese de que el voltaje de entrada de CA está dentro del rango operativo del cargador.
El indicador LED de 'charger on' está parpadeando en rojo tres veces por segundo (error de temperatura elevada del cargador).	El flujo de aire alrededor del cargador está obstruido.	Asegúrese de que haya al menos 10 centímetros de espacio libre alrededor del cargador. Quite todo lo que haya alrededor o sobre el cargador. Mantenga el cargador apartado de la luz solar directa o equipos que desprendan calor.
	Temperatura ambiente demasiado alta.	Ponga el cargador en un entorno más fresco o refrigérelo con un ventilador externo.
El indicador LED de 'charger on' está parpadeando en rojo cuatro veces por segundo (error de cargador).	Se ha detectado un error interno.	Devuelva el cargador a su proveedor más cercano para repararlo.


Si ninguna de estas soluciones resuelve el problema que ha encontrado, lo más recomendable es que se ponga en contacto con su distribuidor local de TBS para obtener asistencia y/o reparar su Omnicharge. No desmonte el Omnicharge usted mismo, pues tiene corrientes peligrosas de alto voltaje en su interior y además anularía la garantía.

6. ESPECIFICACIONES TÉCNICAS

Parámetro	OC12-90	OC24-50	OC24-80
Voltaje de entrada	100-260Vac / 47-63Hz / PF > 0.9		180-260Vac
Consumo de carga completo	1550VA	1700VA	2750VA
Corriente de entrada (115V/230V)	13.5A / 6.8A	15A / 7.5A	- / 12A
Corriente total de salida ¹⁾⁴⁾	90A	50A	80A
Voltaje nominal de salida ¹⁾	12Vdc	24Vdc	
Número de salidas	3 (internamente aislado)		
Característica de carga ²⁾	IUoUoP, Compensación de temp. inteligente de 4 fases		
Voltaje de absorción ²⁾	14.4Vdc	28.8Vdc	
Voltaje de flotación ²⁾	13.5Vdc	27.0Vdc	
Voltaje de ecualización ²⁾	15.8Vdc	31.6Vdc	
Tipos de batería compatibles ²⁾	"Flooded" / "Gel" / "AGM" / "LiFePO4" / "Custom"		
Cap. de batería recomendada ³⁾	180-900Ah	100-500Ah	160-800Ah
Consumo de corriente de CC	< 0.1mA (cargador apagado)		
Rango de temp. de funcion.	-10°C...+55°C (Humedad máxima del 95% sin condensación)		
Rango de temp. de almacen.	-20°C...+70°C (Humedad máxima del 95% sin condensación)		
Refrigeración	Ventilador de velocidad variable		
TBSLink activado?	Sí		
Protegido contra	Voltaje de CA bajo, cortocircuito de salida, temperatura alta, sobrecarga de la batería y polaridad inversa (fusible)		
Indicaciones	Encendido, barra de corriente de salida, barra de estado de carga, error		
Conexiones de salida de CC	Tornillos M8		
Conexiones de entrada de CA	Terminales de tornillos		
Tamaño del alojamiento	370 x 271 x 132mm		
Peso total	6.2kg		
Clase de protección	IP21 (montaje vertical)		
El cargador cumple con los siguientes estándares	CE marcada. EMC : EN55016-2-1(/A1), EN55016-2-3(/A1), EN 61000-4-2(3/4/5/6). La seguridad : EN60335-1, EN60335-2-29		

Nota: las especificaciones indicadas pueden cambiar sin notificación previa.

- 1) La tolerancia de corriente de salida máxima es +/-5%. Las desviaciones de voltaje de referencia máximas son +/- 1%. Todos los voltajes de referencia tienen compensación de temperatura cuando hay un sensor de temperatura conectado.
- 2) El valor es programable.
- 3) Consulte siempre las especificaciones del fabricante de la batería para conocer la corriente de carga máxima permitida.
- 4) A temperaturas ambiente altas (>40°C), es posible que la corriente de salida máxima se reduzca automáticamente.

	<p>Cumpla con la normativa local y no deseche los productos antiguos con los desechos domésticos. El desecho correcto del producto antiguo ayudará a evitar consecuencias negativas para el medioambiente y la salud humana.</p>
---	--

7. CONDICIONES DE LA GARANTÍA

TBS Electronics (TBS) garantiza que este producto no tenga defectos de mano de obra o materiales durante 24 meses, a partir de la fecha de compra. Durante este periodo, TBS reparará los productos defectuosos sin coste alguno. TBS no se hace responsable de los costes de transporte de este inversor.

Esta garantía es nula si el producto ha sufrido daños físicos o alteraciones, ya sean internas o externas, y no cubre los daños causados por un uso indebido¹⁾, por utilizar el inversor con requisitos de consumo de energía excesivos, o por su uso en un entorno inadecuado.

Esta garantía no se aplica en los casos donde el producto se haya utilizado incorrectamente, de forma negligente, instalado indebidamente o reparado por alguien ajeno a TBS. TBS no se hace responsable de ninguna pérdida, daño o coste producido por un uso indebido, uso en un entorno inadecuado, instalación incorrecta del producto o fallos en el producto.

Dado que TBS no puede controlar el uso y la instalación (de acuerdo con las normativas locales) de sus productos, el cliente siempre es responsable del uso de estos productos. Los productos de TBS no están diseñados para su uso como componentes esenciales en dispositivos o sistemas de soporte vital que puedan dañar a los seres humanos y/o al medio ambiente. El cliente es siempre el responsable a la hora de implementar los productos de TBS en este tipo de aplicaciones. TBS no acepta ninguna responsabilidad por la violación de patentes u otros derechos de terceros derivados del uso del producto de TBS. TBS se reserve el derecho de cambiar las especificaciones de sus productos sin previo aviso.

¹⁾ Ejemplos de uso indebido :

- Voltaje de entrada aplicado demasiado alto
- Conexión inversa de la polaridad de la batería
- Alojamiento o elementos internos con estrés mecánico debido a una manipulación poco cuidadosa o un embalaje inadecuado
- Conexión de baterías incorrectas (voltajes de batería demasiado altos)
- Contacto con líquidos u oxidación causada por la condensación

8. DECLARACIÓN DE CONFORMIDAD

Vea la página 24.