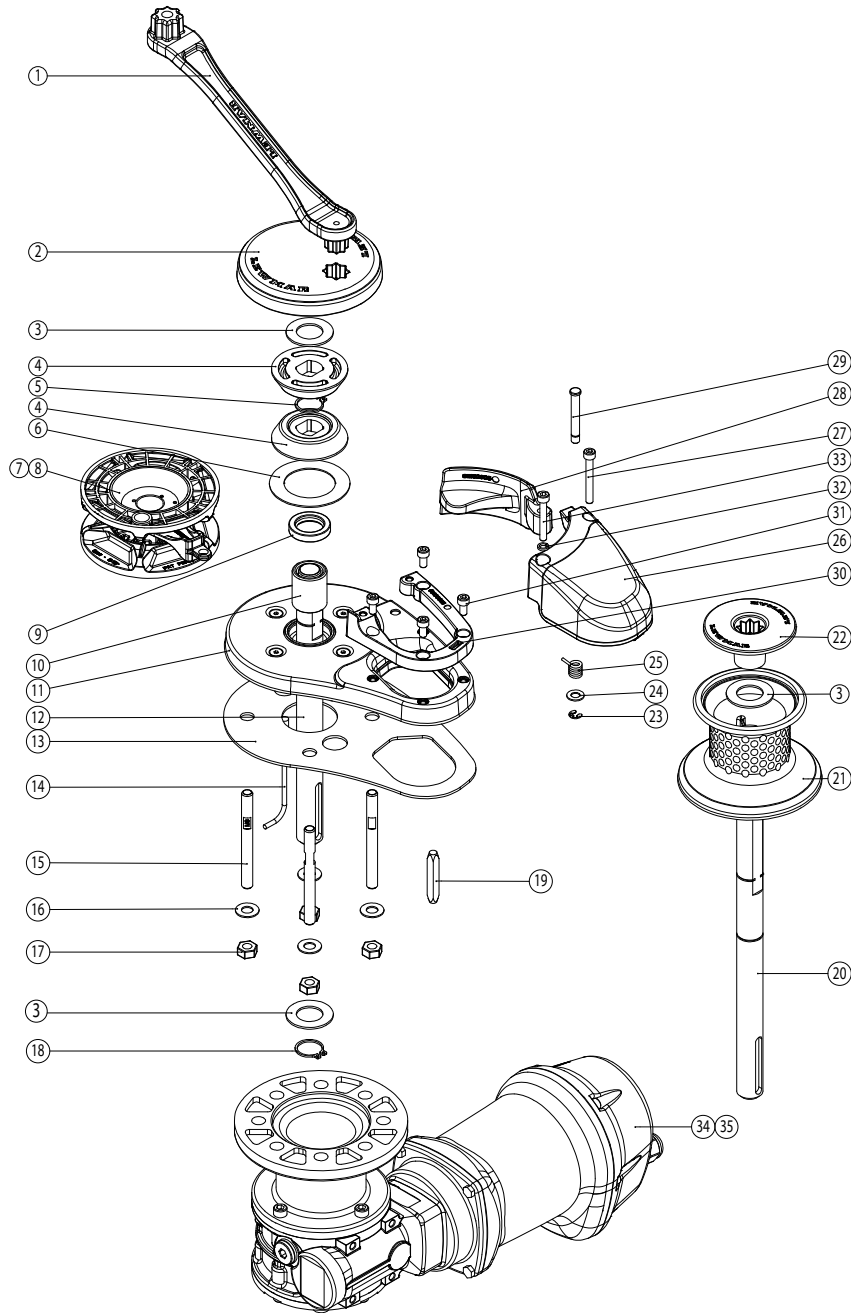


Windlass Spares

VX1 Parts list



KIT NO.	KIT DESCRIPTION	ITEMS INCLUDED (QTY.)
66000799	WINDLASS HANDLE	1(1)
66100120	VX1 GYPSY ONLY TOP CAP KIT	2(1)
66100121	VX1 BASE KIT	9(1), 10(1), 11(1), 30(1), 31(4)
66100123	VX1 CHAIN COVER AND CONTROL ARM KIT	23(1), 24(1), 25(1), 26(1), 27(1), 28(1), 29(1), 32(1), 33(1)
66100124	VX1 DRUM KIT	3(1), 21(1), 22(1)
66100125	VX1 GYPSY ONLY DRIVE KIT	2(1), 3(1), 5(1), 12(1), 18(1), 19(1)
66100126	VX1 GYPSY DRUM DRIVE KIT	2(1), 3(2), 5(1), 18(1), 19(1), 20(1), 21(1), 22(1)
66100127	VX1 MANUAL AND KIT	1(1), 13(1), 15(4), 16(4), 17(4)
68100033	VX1 8MM GYPSY & STRIPPER ASSEMBLY	3(1), 4(2), 6(1), 7(1)
68100034	VX1 6/7MM 1/4" GYPSY & STRIPPER ASSEMBLY	3(1), 4(2), 6(1), 8(1)
68100035	VX1 12V 300W IP67 RMU40 M/GBOX	34(1)
68100036	VX1 12V 500W IP67 RMU40 M/GBOX	35(1)