

SeaStar Solutions Products

UTILITY CABLE

CC343XX Marine Neutral Throttle and Shutoff Cable With Knob and T-Handle

For Use With

SEASTAR SOLUTIONS CONTROL SYSTEMS

Owner's Manual

Installation, Operation and Maintenance Instructions

This manual must be accessible to the owner/user of this SeaStar Solutions product.

Please read these instructions carefully and in their entirety before beginning installation!

All specifications and features are subject to change without notice.



**SEASTAR
SOLUTIONS®**

640 North Lewis Road
Limerick, PA 19468 USA
610-495-7011
www.seastarsolutions.com

Introduction

The utility cable is a push-pull control with a maximum travel of 3". It can be used for a variety of control applications including diesel shut-off, operating valves, switches, chokes and throttles, and other similar remote control applications.

Furnished complete with mounting nuts, lock-washer, cable clamp, end fitting, "T" Handle and Knob Handle.

Installation Procedure

The cable path should be selected carefully. For best operation, the cable path should have as few bends as possible. When bends are required, the bend radius should be as large as practical.

The cable may be mounted on any panel up to 1-1/4" thick. Drill a 13/32" hole through the panel. Remove the handle and one of the mounting nuts. Slide the end of the cable through the hole and mount securely with nuts and lock-washer as shown in Figure A. Replace the handle.

Run the cable as directly as possible to the control lever. Clamp the cable rigidly near the end as shown in Figure B, using cable clamp (037664, not included).

Slide the core wire through the control lever, tighten the collar assembly (037693, not included), and bend the core wire 90° as shown in Figure B.

If the control lever does not have a spring return, the core wire must be attached to a pivot on the control lever to allow both push and pull operation. In this case, the collar assembly is not required.

Item	Description	No. Req'd
1	Nut, Hex, Jam 1/4-20 UNC-2	1
2	Seal Nut	1
3	Lock-Washer, Int. Tooth 3/8"	1
4	Inner Nut, 3/8"-24 UNF-2	1
5	Conduit Clamp (not included)	1
6	Core Collar (not included)	1

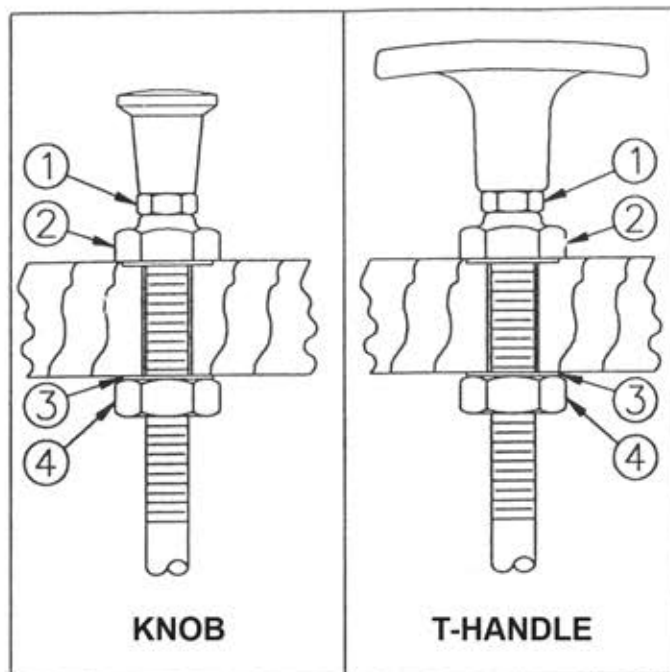


FIGURE A

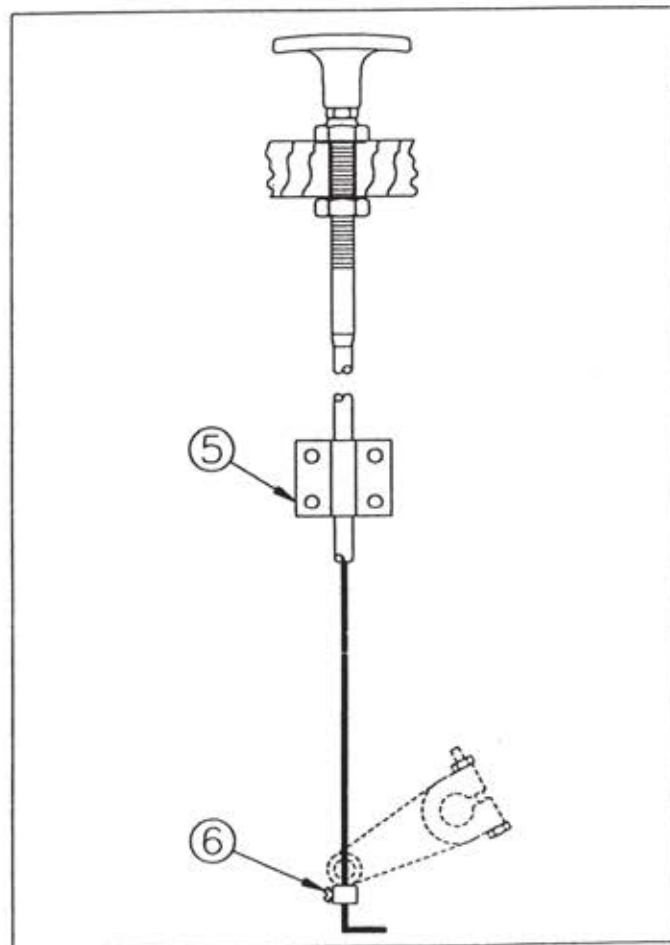


FIGURE B