

a xylem brand

FEATURES

Continuous rated, medium duty pumps for general purpose use.

- ISO 8846 MARINE (Ignition protection).
- BS EN 60945 (Maritime navigation and radiocommunication equipment and systems).
- Small debris present no problem to these brass bodied, flexible impeller pumps.
- Simple design means fewer wearing parts.
- 15.5 LPM (3.4 UK GPM) output @ 5m (16 ft) head.
- Self priming to 2.5m (8 ft).

JUNIOR PUPPY PERFORMANCE

Approximate performance for new pump, running water at 20°C (68°F) with fully charged battery.

Total Head		Performance	
m	ft	LPM	UK GPM
5	16	15.5	3.4
10	33	13.5	3.0
15	49	11.5	2.5
20	66	8.5	1.9
25	82	5	1.0

INSTALLATION INSTRUCTIONS

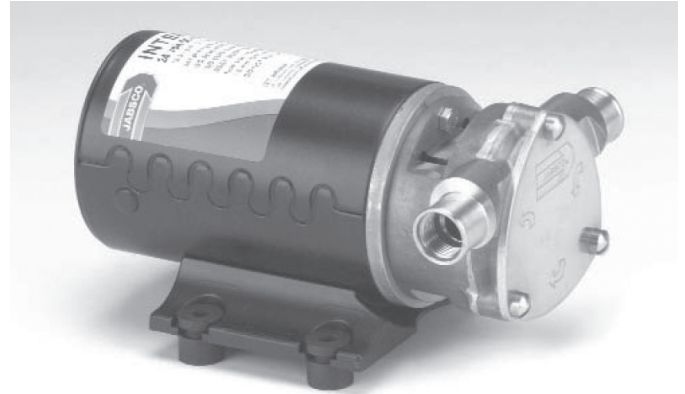
Jabsco Junior Puppy can be mounted on any flat surface. Fit the pump in a dry, well ventilated position where there is full access for service. If installed in a vertical position, the motor must be above the pump head. Use the rubber grommets provided to minimize vibration, do not overtighten the mounting screws.

Secure 25.4mm (1") ID hose either direct to the discharge ports or to (3/8") BSP male threaded fittings using stainless steel hose clamps. Use spiral reinforced hose (with a smooth internal bore) that will not collapse under suction, or rigid or semi rigid pipework systems. The pipework must be compatible with the liquid being pumped. Pipe runs should be kept as straight and short as possible, avoiding rising and dipping over obstructions. Fit a strainer on the inlet hose to prevent larger debris from entering the pump.

ELECTRICAL WIRING INFORMATION

Model Number	Voltage	Maximum Amp Draw	Maximum Fuse Size	Minimum Wire Size	Maximum Length Between (+) & (-) Battery Terminals
23670-4003	12 volt	13 amp	15 amp	30 / 0.25mm ² (1.5mm ²)	4.5m (15 ft) *
23670-4103	24 volt	7 amp	10 amp	32 / 0.2mm ² (1.0mm ²)	4.5m (15 ft) *

* For longer installations, fit thicker cables.



⚠ WARNING

If the fuse fails repeatedly, do not fit a heavier fuse or bridge the fuse terminals with silver paper or metal wire. Failure to observe this instruction may result in a fire hazard due to overheating of cables.

⚠ WARNING

Do not use any Jabsco pump for petrol, petroleum products or any products with a flash point below 37°C (98°F). Explosion or death may occur.

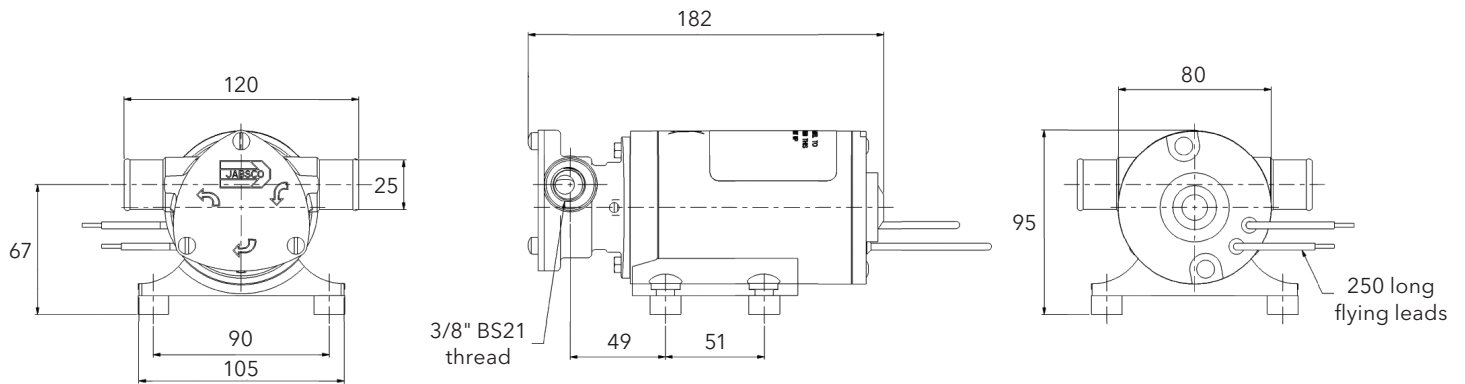
⚠ WARNING

All marine pumps discharging overboard must be installed with the overboard discharge well above both static and heeled waterlines.

WIRING INSTRUCTIONS

Make all electrical connections in dry locations; connections in humid environments should be sealed to prevent corrosion. Protect the circuit with a correctly rated fuse or circuit breaker in the red positive (+) lead as close as possible to the power source. Connect the black motor wire to the negative (-) battery terminal. Inadequate voltage at the motor terminals when the pump is running (not less than 10% below rated voltage at full load) due to partially discharged batteries or insufficient cable size may result in blowing fuses, failure to start or poor pump performance.

DIMENSIONAL DRAWING (mm)

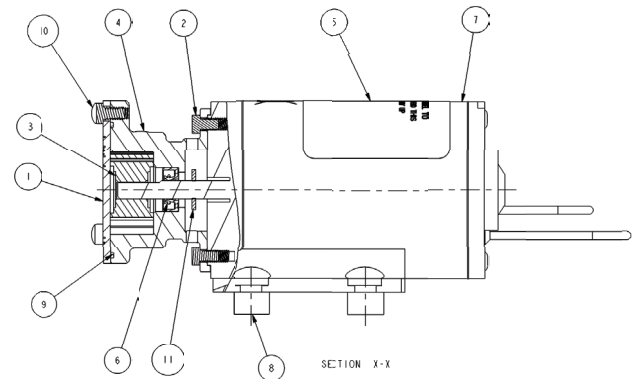


WEIGHT: Junior Puppy – 3kg (6.6 lb)

JUNIOR PUPPY PARTS LIST

Key	Description	QTY	Part Number
1	End Cover	1	9328-0200
2	Hex Head Screw	2	X3001-147F
3	Impeller 010 - Nitrile	1	9200-0023B*
4	Inter Puppy Body - Machined (BSP)	1	18646-2000
5	Label - Product	—	—
6	Lipseal	1	SP2701-52B*
7	Motor 12VDC	1	98012-2652C
8	Mounting Foot	4	92900-0380
9	O Ring (1.78 x 56.87)	1	X5251-049*
10	Screw 12-24 UNC x 0.375"	3	SP1004-09*
11	Slinger	1	6342-6000

*Buy kit SK400-0023



WARRANTY: ALL PRODUCTS OF THE COMPANY ARE SOLD AND ALL SERVICES OF THE COMPANY ARE OFFERED SUBJECT TO THE COMPANY'S WARRANTY TERMS AND CONDITIONS OF SALE, COPIES OF WHICH WILL BE FURNISHED ON REQUEST. THE INFORMATION PROVIDED HEREIN IS FOR GUIDANCE ONLY. IT DOES NOT CONSTITUTE A GUARANTEE OF THE PERFORMANCE OR SPECIFICATION OF ANY INDIVIDUAL PRODUCT OR COMPONENT.

www.jabsco.com

Jabsco, 100 Cummings Center, Ste. 535-N, Beverly, MA 01915
Tel: +1 978 281 0440 Fax: +1 978 283 2619

Jabsco, Bingley Road, Hoddesdon, Hertfordshire, EN11 0BU
Tel: +44 (0) 1992 450 145 Fax: +44 (0) 1992 467 132

Jabsco GmbH, Oststraße 28, 22844 Norderstedt
Tel: +49 (0) 40 53 53 73 0 Fax: +49 (0) 49 53 53 73 11

Jabsco Italia, s.r.l., Via Tommaseo, 6, 20059, Vimercate, Milano
Tel: +39 039 685 2323 Fax: +39 039 666 307

USA

UK

GERMANY

ITALY



a xylem brand