



JACKPLATE ACCESSORY MOUNT SPACER KITS

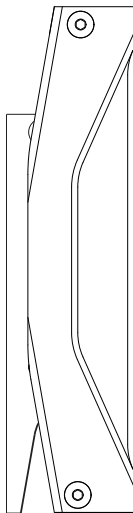
Recent changes to the design of the SeaStar Hydraulic Jackplate result in different requirements for accessory mounting spacer kits. Depending on the Jackplate model and version, and the model of accessory adapter, a spacer kit may or may not be required to mount accessories such as a shallow water anchor or reboarding ladder.

The tables in this document depict all current versions of SeaStar Jackplate models and will assist the installer in identifying the appropriate spacer kit (if any) for a given application.

If an appropriate model/version cannot be determined, contact Seastar Technical Support.

Phone: 604-248-3858
 email: seastar@seastarsolutions.com
 Hours: Monday to Friday 05:00-15:30 PST
 Web: www.seastarsolutions.com

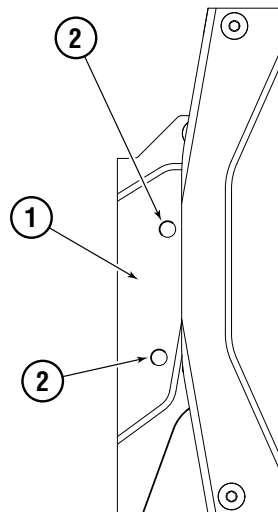
JP4040 (4" Setback)



ALL GENERATIONS

- SeaStar spacer kit **NOT** offered

JP4060 (6" Setback)

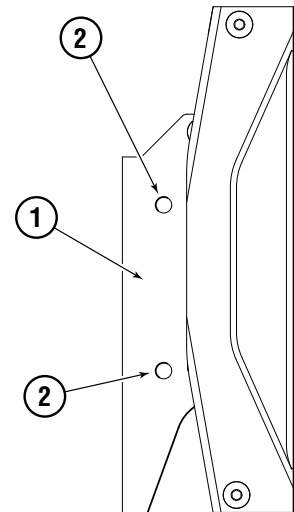


1st/2nd GENERATION

1. Machined pocket in transom bracket
2. Mounting holes **NOT** in line vertically

SeaStar Spacer Kit PID

- DK4500P (Port)
- DK4500S (Starboard)



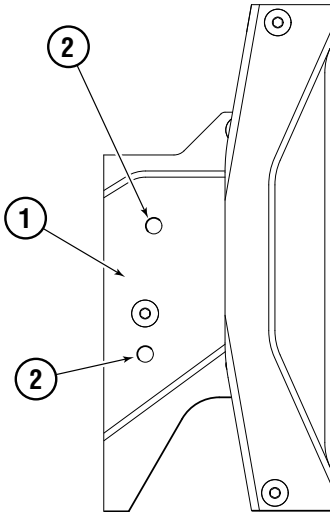
3rd GENERATION

1. No pocket in transom bracket
2. Mounting holes in line vertically

SeaStar Spacer Kit PID

- DK4600 (Port and Starboard)

JP4080 (8" Setback)

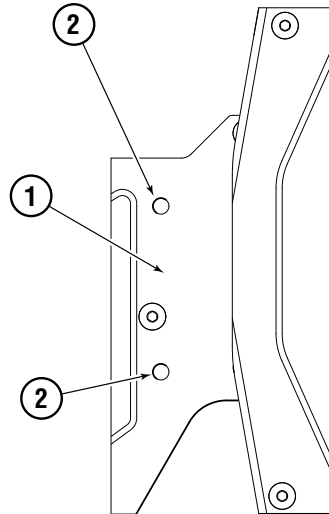


1st GENERATION

1. Machined pocket in transom bracket
2. Mounting holes **NOT** in line vertically

SeaStar Spacer Kit PID

- DK4500P (Port)
- DK4500S (Starboard)

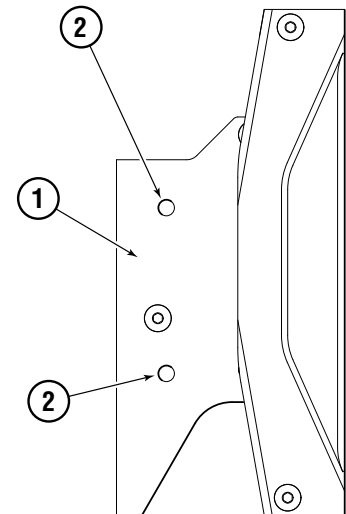


2nd GENERATION

1. Flat surface on transom bracket
2. Mounting holes in line vertically

SeaStar Spacer Kit PID

- None required



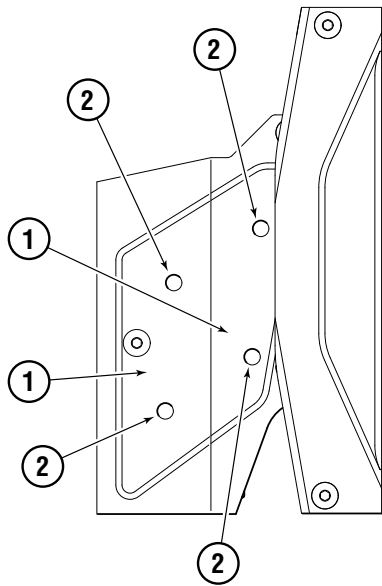
3rd GENERATION

1. No pocket in transom bracket
2. Mounting holes in line vertically

SeaStar Spacer Kit PID

- None required

JP4100 (10" Setback)

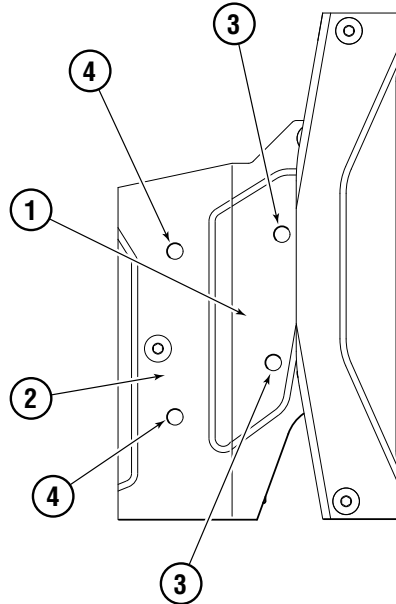


1st GENERATION

1. Machined pocket in transom bracket and extension bracket
2. Mounting holes **NOT** in line vertically

SeaStar Spacer Kit PID

- DK4500P (Port)
 - DK4500S (Starboard)
- Can mount in either set of holes*

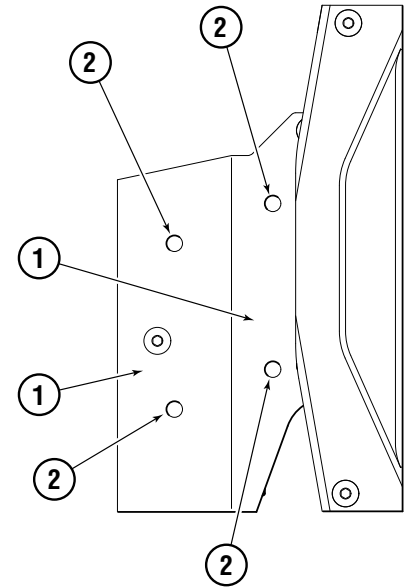


2nd GENERATION

1. Machined pocket in transom bracket
2. Flat surface on extension bracket
3. Mounting holes on transom bracket **NOT** in line vertically
4. Mounting holes on extension bracket in line vertically

SeaStar Spacer Kit PID

- If mounting to transom bracket:
 - DK4500P (Port)
 - DK4500S (Starboard)
- None required to mount on extension bracket



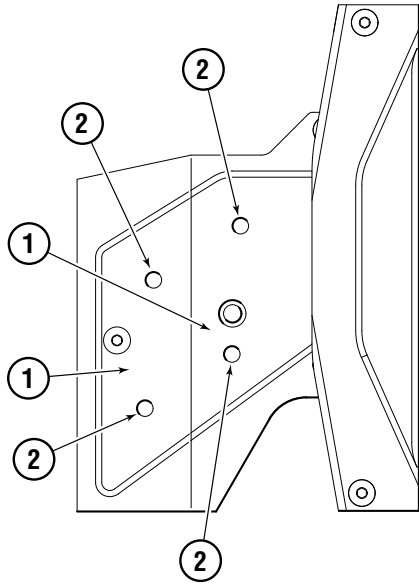
3rd GENERATION

1. No pocket in transom bracket or extension bracket
2. Mounting holes in line vertically

SeaStar Spacer Kit PID

- If mounting to transom bracket:
 - DK4600
- None required to mount on extension bracket

JP4120 (12" Setback)



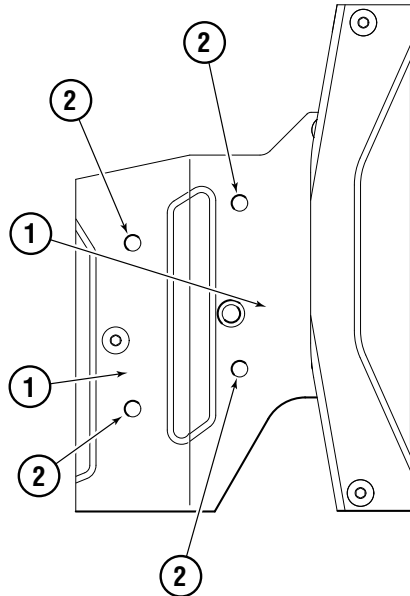
1st GENERATION

1. Machined pocket in transom bracket and extension bracket
2. Mounting holes **NOT** in line vertically

SeaStar Spacer Kit PID

- DK4500P (Port)
- DK4500S (Starboard)

Can mount in either set of holes



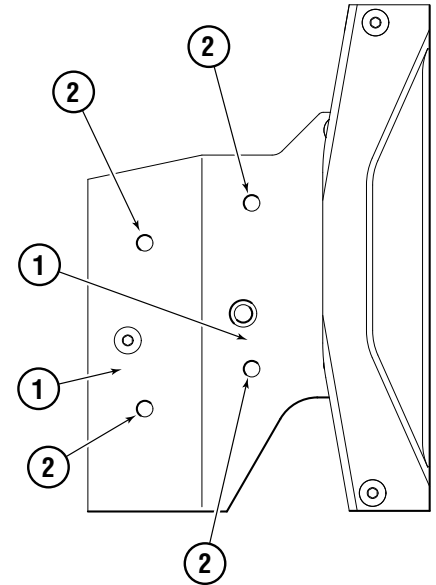
2nd GENERATION

1. Flat surface on transom bracket and extension bracket
2. Mounting holes in line vertically

SeaStar Spacer Kit PID

- None required

Can mount in either set of holes



3rd GENERATION

1. No pocket in transom bracket or extension bracket
2. Mounting holes in line vertically

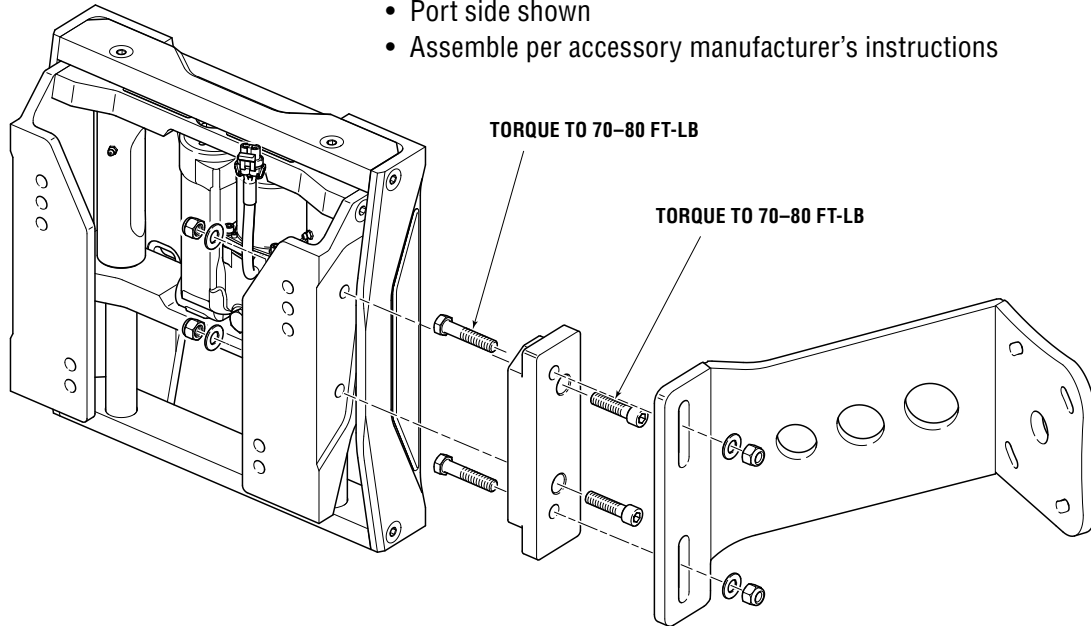
SeaStar Spacer Kit PID

- None required

Can mount in either set of holes

DK4500 Accessory Adapter Assembly

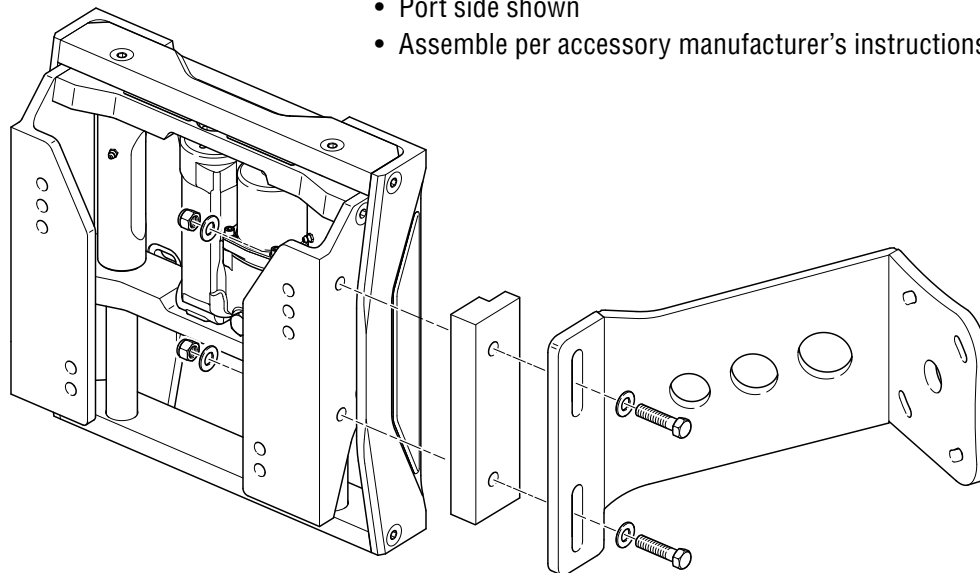
- Mounting hardware included with kit
- Port side shown
- Assemble per accessory manufacturer's instructions



DK4500 Accessory Adapter Assembly Installation

DK4600 Accessory Adapter Assembly

- Mounting hardware NOT included with kit
- Port side shown
- Assemble per accessory manufacturer's instructions



DK4600 Accessory Adapter Assembly Installation