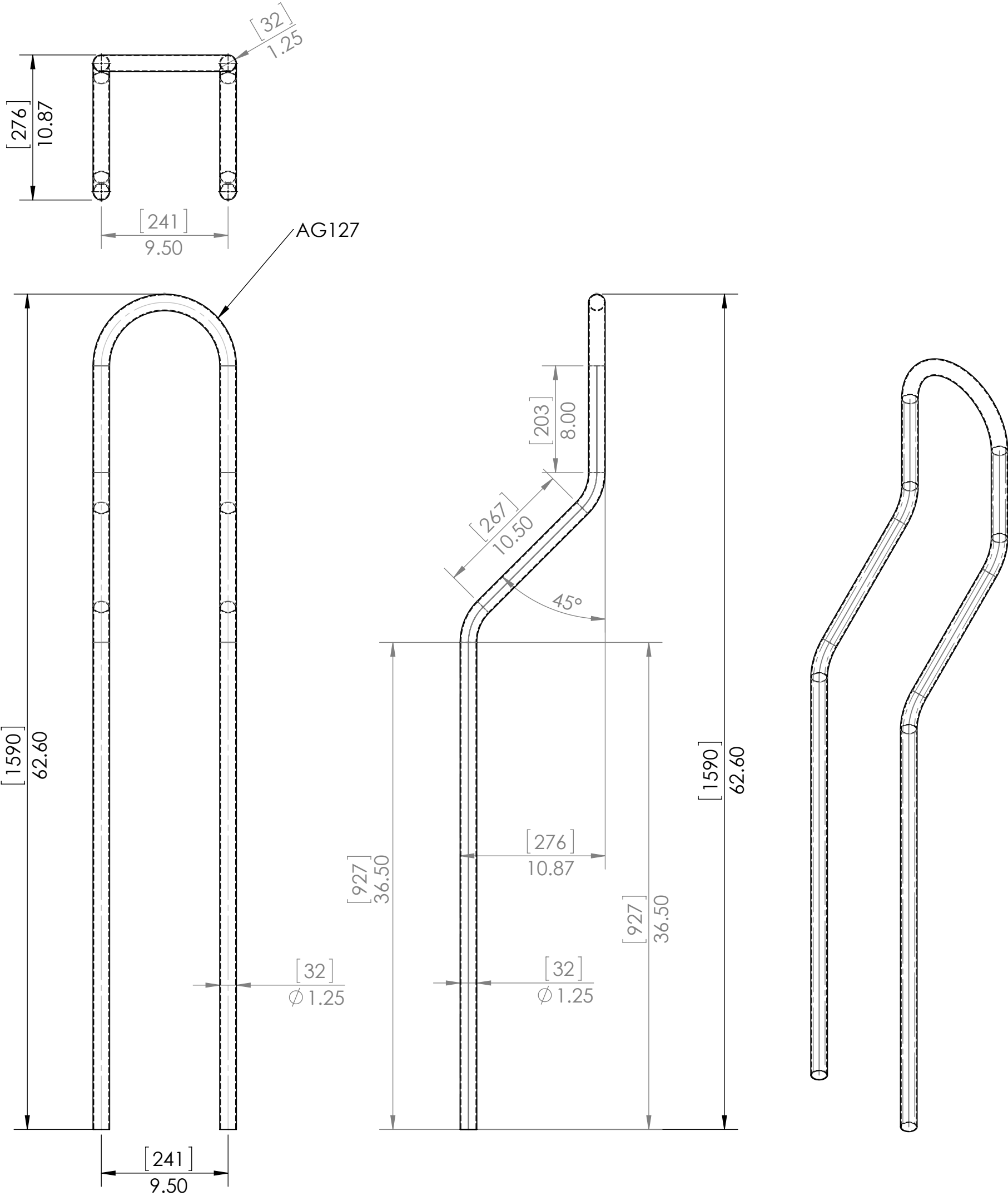


AG127 DOUBLE BEND ANGLE GUARD

AngleGuard 9.5" Wide \varnothing 1.25"

for one InstrumentPod and a GP1050/GP1800/GP1200/GP1900 SailPod below



PROPRIETARY AND CONFIDENTIAL
 THE INFORMATION CONTAINED IN THIS DRAWING IS THE SOLE PROPERTY OF OCEAN EQUIPMENT. ANY REPRODUCTION IN PART OR AS A WHOLE WITHOUT THE WRITTEN PERMISSION OF OCEAN EQUIPMENT IS PROHIBITED.

		UNLESS OTHERWISE SPECIFIED:	NAME	DATE
		DIMENSIONS ARE IN INCHES	DRAWN	MDJ
		TOLERANCES:	CHECKED	3/28/2018
		FRACTIONAL \pm 1/8"	ENG APPR.	
		ANGULAR: MACH \pm .5° BEND \pm .5°	MFG APPR.	
		TWO PLACE DECIMAL \pm 0.13	Q.A.	
		THREE PLACE DECIMAL \pm 0.125	COMMENTS:	
		INTERPRET GEOMETRIC TOLERANCING PER:		
		MATERIAL		
NEXT ASSY	USED ON	FINISH		
APPLICATION		DO NOT SCALE DRAWING		

OCEAN EQUIPMENT		
TITLE:		
SIZE	DWG. NO.	REV
B	AG127	
SCALE: 1:8	WEIGHT:	SHEET 1 OF 1