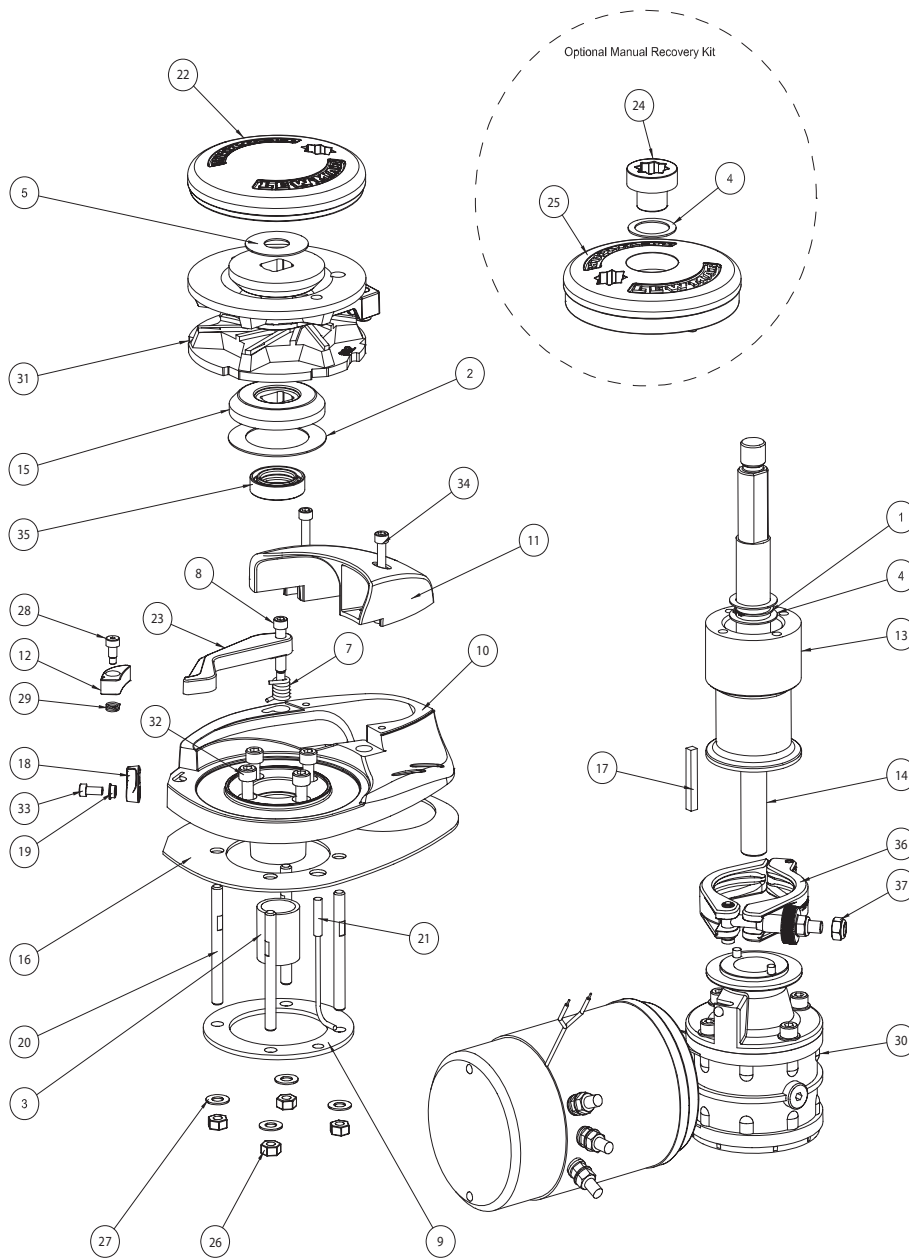


VI Parts list



KIT NO.	KIT DESCRIPTION	ITEMS INCLUDED (QTY.)
6600060	CAP KIT	22(1)
66000624	V1/2/3 BASE	3(1), 10(1), 34(1)
66000625	CHAIN PIPE COVER	11(1), 35(2)
66000626	FASTENER KIT	1(1), 2(1), 4(3), 5(1), 8(1), 17(1), 28(1), 33(1), 34(2)
66000627	DRIVE KIT	1(1), 2(1), 3(1), 4(3), 5(1), 14(1), 15(2), 17(1), 35(1)
66000628	MANUAL RECOVERY PAWL KIT (FALL SAFE)	11(1), 17(1), 18(1), 27(1), 28(1), 32(1)
66000629	MOTOR GEARBOX	30(1)
66000631	MOUNTING KIT (METRIC)	9(1), 16(1), 20(1), 26(4), 27(4)
66000632	FAST FIT ASSEMBLY.	36(1), 37(1)
66000633	DECK SPACER KIT	13(1), 32(4)
66200076	SENSOR & MAGNET KIT	21(1), MAGNET(1)
66810030	CONTROL ARM KIT	7(1), 8(1), 23(1)
66810065	MOTOR GEARBOX KIT	17(1), 30(1), 36(1), 37(1)
66840054	MANUAL RECOVERY KIT	4(1), 24(1), 25(1)
68000360	V RANGE GYPSY & STRIPPER KIT (000)	31(1), MAGNET(1)
68000361	V RANGE GYPSY & STRIPPER KIT (001)	31A(1), MAGNET(1)
68000362	V RANGE GYPSY & STRIPPER KIT (002)	31B(1), MAGNET(1)
68000840	V RANGE GYPSY & STRIPPER KIT (006)	31C(1), MAGNET(1)