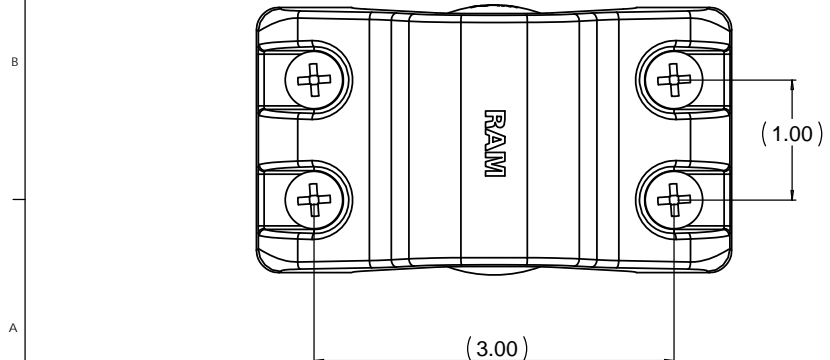
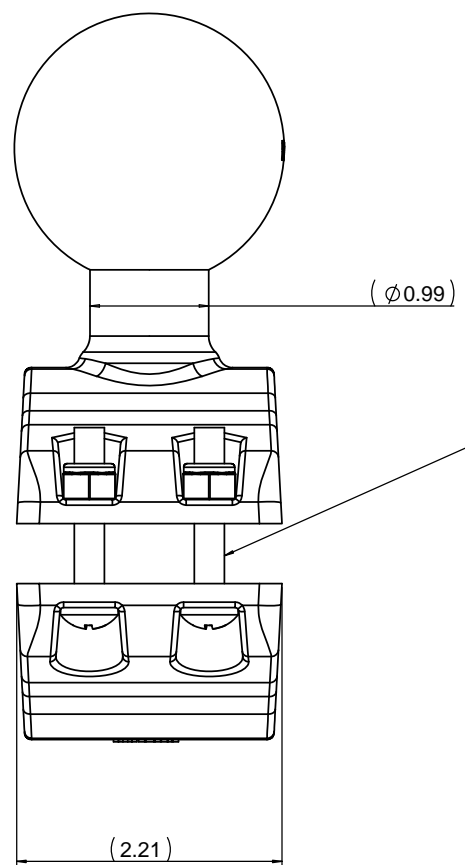
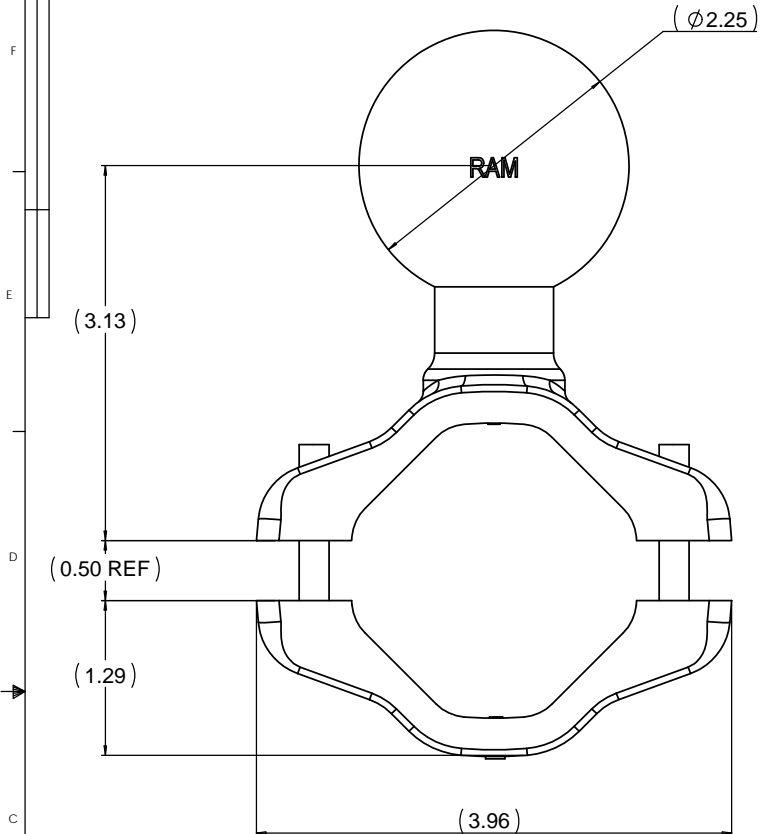
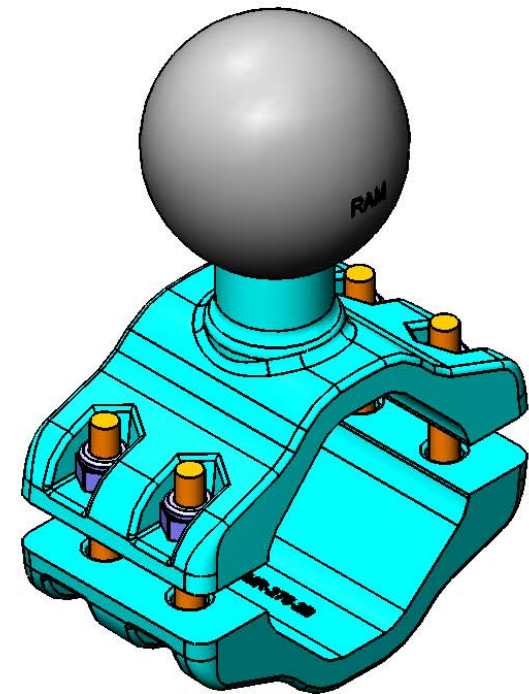


THE INFORMATION CONTAINED IN THIS DRAWING IS THE SOLE PROPERTY OF NATIONAL PRODUCTS INC. ANY REPRODUCTION IN PART OR WHOLE WITHOUT THE WRITTEN PERMISSION OF NATIONAL PRODUCTS INC. IS PROHIBITED.

REV		DESCRIPTION	REVISIONS	DATE	APPROVED



1/4"-20 STST MACHINE SCREWS



UNLESS OTHERWISE SPECIFIED DIMENSIONS ARE IN INCHES FRACTIONS DECIMALS ANGLES + 1/32 - .001 + .06 + .1 DEG. XXX - .030	CAD GENERATED DRAWING. DO NOT MANUALLY UPDATE		NATIONAL PRODUCTS INC.	
	APPROVALS	DATE	RAM 2" to 2 1/2" RAIL MOUNT BASE WITH 2 1/4" DIA. RUBBER BALL	
	DRAWN JDC	04/14/16	ISS: DWG: NO:	REV
	CHECKED CMR	04/14/16	C	RAM-D-271U-2
MATERIAL ALUMINUM, STST, RUBBER	RESP ENG	DUAL ENG	SCALE 1 TO 1	CAD: TEL: RAM-D-271U-2 SHEET 1 OF 1
COLOR BLACK	MFG ENG	DO NOT SCALE DRAWING	2	1