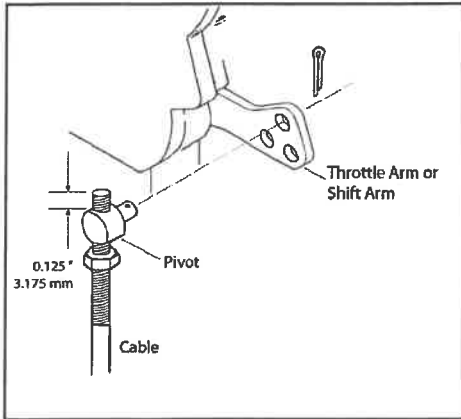
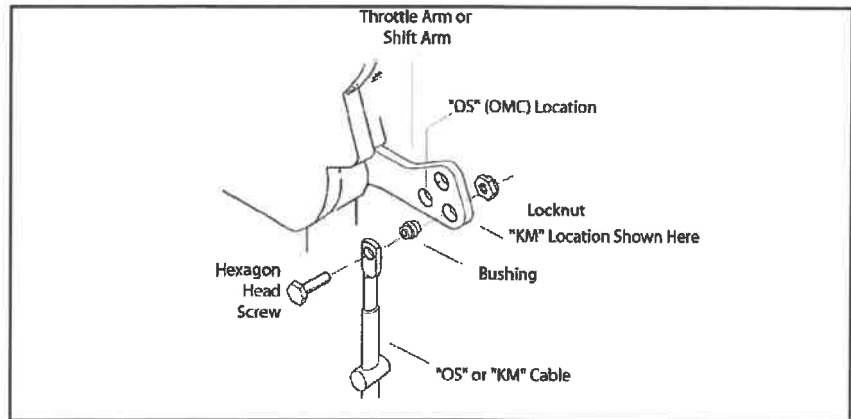


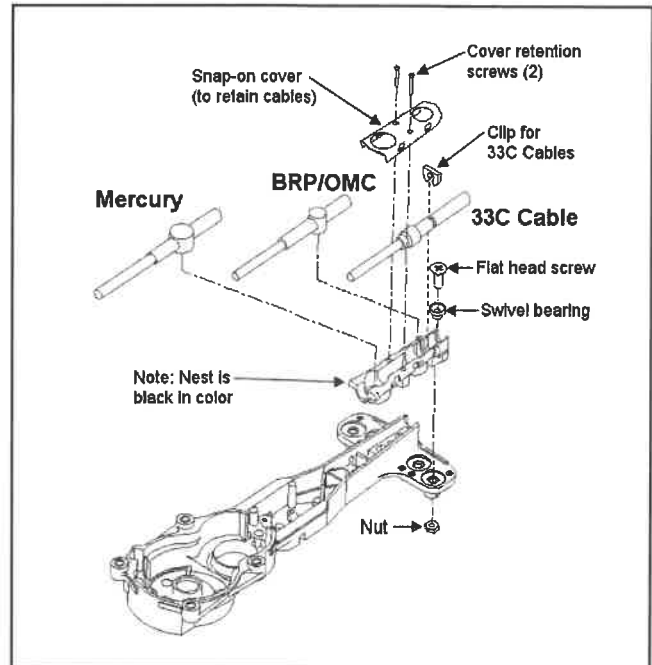
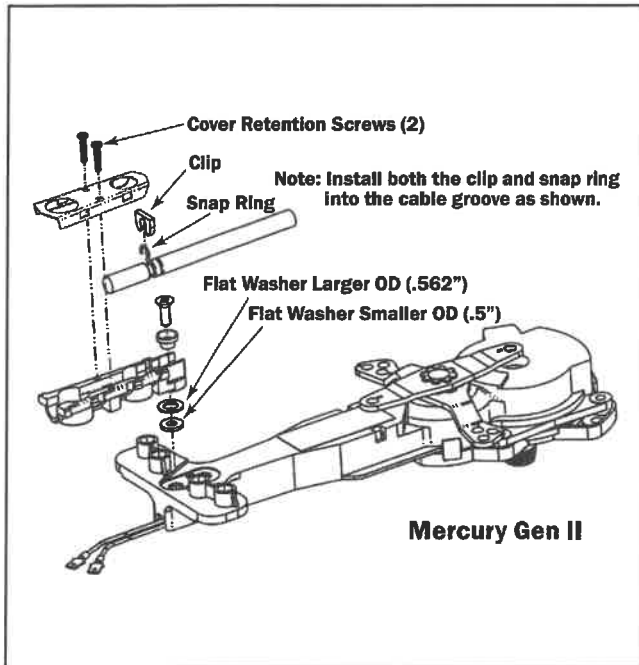
Shift and Throttle Cable Connection-Control End



Shift Arm Cable Terminal Connection for 3300/33C Cable.



Shift Arm Cable Terminal Connection for "OS" is BRP/OMC/Johnson and Evinrude. "KM" is Mercury, MerCruiser.



Cable End Options

- 3300/33C (Universal)
 - BRP/OMC/Johnson/Evinrude
 - Mercury, MerCruiser
 - Mercury Gen II
- (Each cable type connects differently)