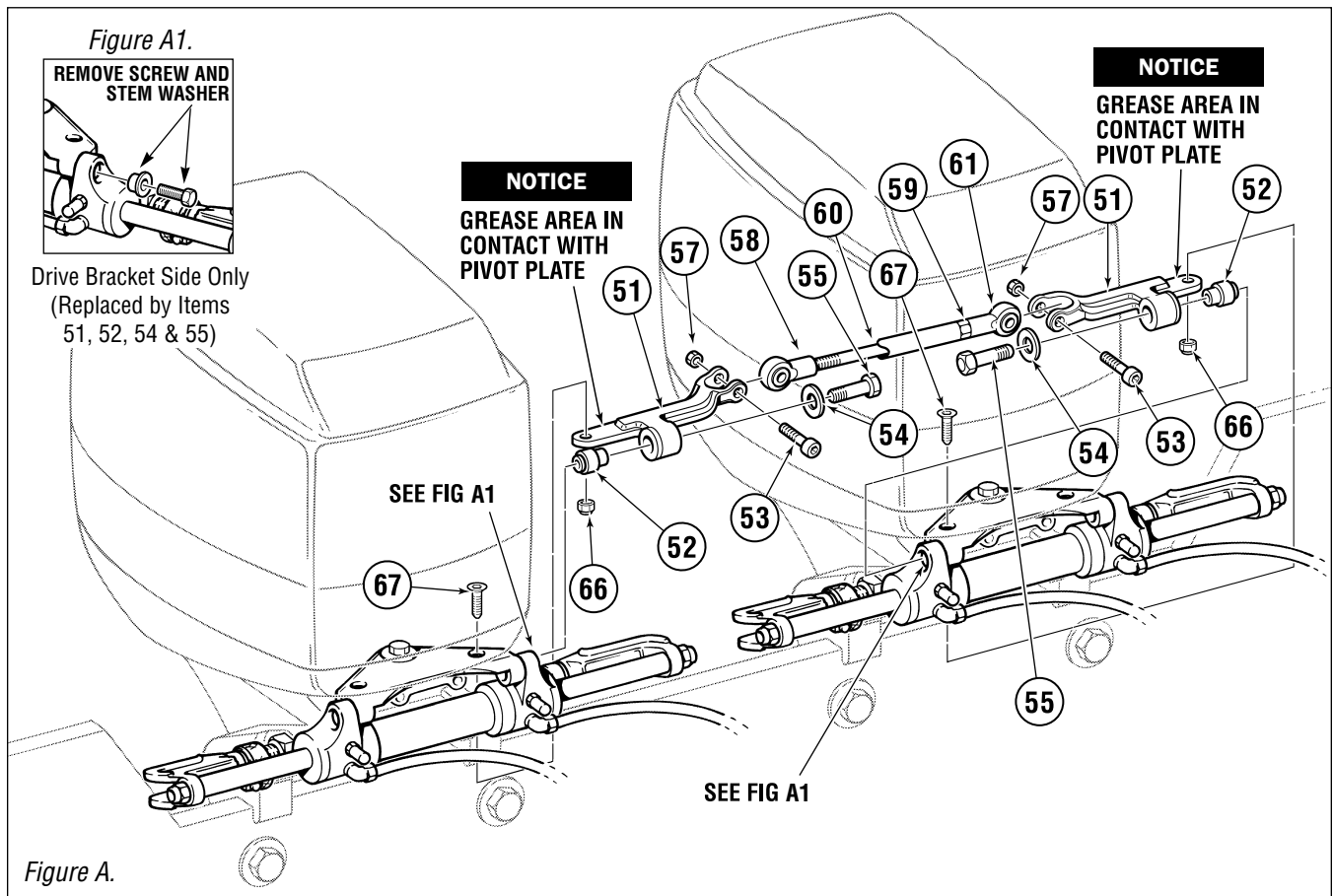




TIE BAR KIT # H06002

Dual Cylinder

ENGINE MANUFACTURER	YEAR	MODEL	CYLINDER	ENGINE TIE BAR KITS		NOTE
				SINGLE CYLINDER	DUAL CYLINDER	
FORCE	1995-TO DATE	90-120 HP	HC5345	H06001	H06002	
HONDA	1996-TO DATE 1998-TO DATE	75-90 HP 115-130 HP	HC5345 HC5342	H06001 See Book 1	H06002 See Book 1	See Supplement Inst. #742219
MERCURY/MARINER	1989-TO DATE	75-275 HP	HC5345	H06001	H06002	



ITEM	PART #	QTY	DESCRIPTION
51	961650	2	Drive Bracket Assembly
52	961686	2	Spacer
53	186540	2	Shoulder Bolt, 3/8" x 1-1/4", SS
54	010924	2	Washer 5/16" x 3/4" OD SS
55	961704	2	HHCS 5/16" NC x 2" SS
57	704525	2	Nut, Nylok®, 5/16" NC, SS

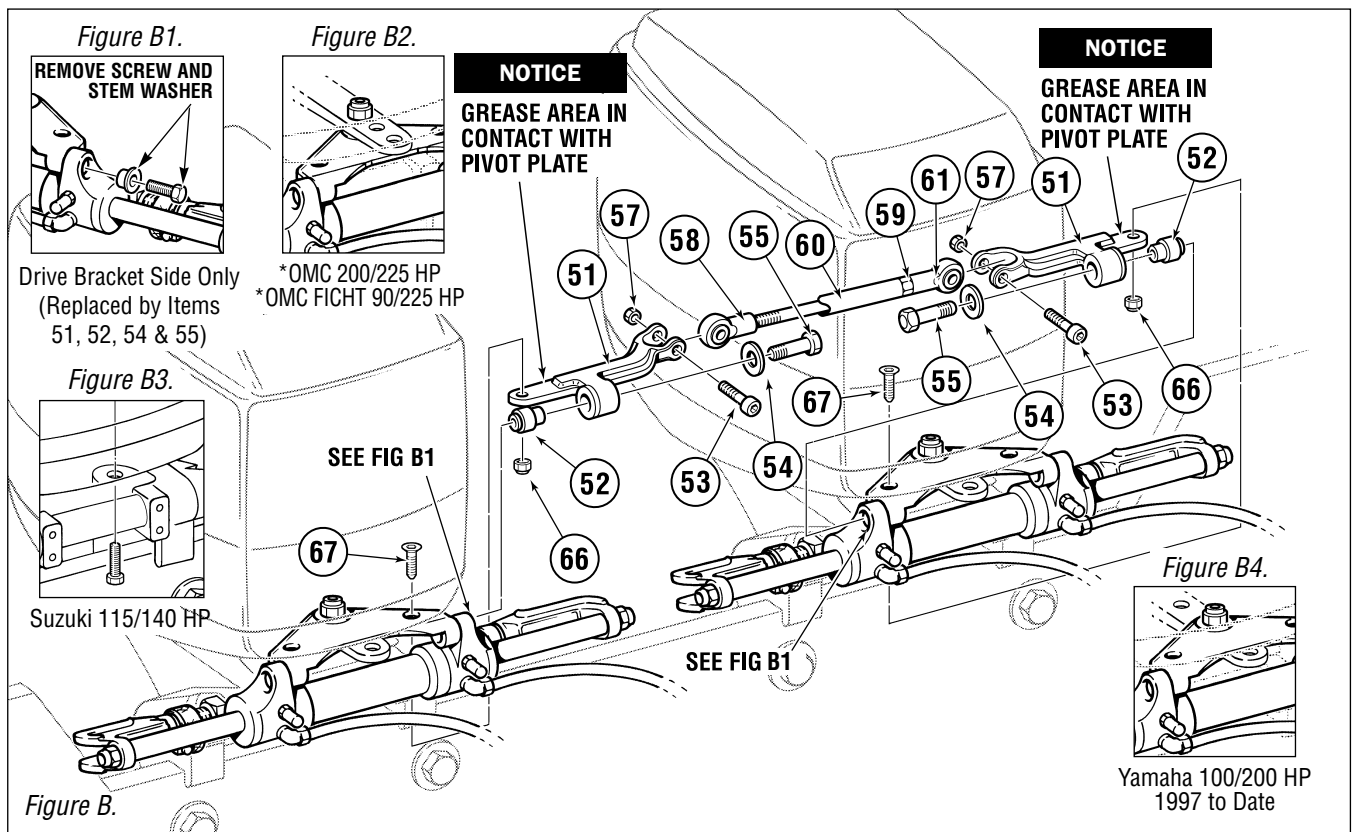
ITEM	PART #	QTY	DESCRIPTION
58	722543	1	Tiebar c/w Ball Joint
59	192126	1	Nut, Nylok® 1/2" NF, NI PL BR
60	722753	1	Stringer Tube, SS
61	116527	1	Rod End Ball 1/2" SS
66	113021	2	Nut, Nylok®, 5/16" NC, SS, Thin
67	185901	2	FHSCS, 5/16" NC x 3/4", SS



TIE BAR KIT # H06002

Dual Cylinder

ENGINE MANUFACTURER	YEAR	MODEL	CYLINDER	ENGINE TIE BAR KITS		NOTE
				SINGLE CYLINDER	DUAL CYLINDER	
JOHNSON/EVINRUDE	1991-TO DATE	90-175 HP	HC5345	H06001	H06002	See Fig B2 * Min. 29" Engine Centers See Fig B2 * Min. 29" Engine Centers
	1991-TO DATE	250-300 HP	HC5345	H06001	H06002	
	1991-TO DATE	* 200-225 HP	HC5345	H06003	H06002	
	1996-TO DATE	* 90-225 HP FICHT	HC5345	H06003	H06002	
SUZUKI	1986-TO DATE	150-225 HP	HC5345	H06003	H06002	See Fig B2 See Fig B3
	1986-TO DATE	115-140 HP	HC5345	H06003	H06002	
YAMAHA	1990-TO DATE	100-200 HP	HC5345	H06001	H06002	See Fig B4
	1990-TO DATE	225-250 HP	HC5345	H06001	H06002	



ITEM	PART #	QTY	DESCRIPTION
51	961650	2	Drive Bracket Assembly
52	961686	2	Spacer
53	186540	2	Shoulder Bolt, 3/8" x 1-1/4", SS
54	010924	2	Washer 5/16" x 3/4" OD SS
55	961704	2	HHCS 5/16" NC x 2" SS
57	704525	2	Nut, Nylok®, 5/16" NC, SS

ITEM	PART #	QTY	DESCRIPTION
58	722543	1	Tiebar c/w Ball Joint
59	192126	1	Nut, Nylok® 1/2" NF, NI PL BR
60	722753	1	Stringer Tube, SS
61	116527	1	Rod End Ball 1/2" SS
66	113021	2	Nut, Nylok®, 5/16" NC, SS, Thin
67	185901	2	FHSCS, 5/16" NC x 3/4", SS