

# AA702A.2: WINDLASS ROPE AND CHAIN WIRING FOR 702/703 BASE STATION SYSTEMS



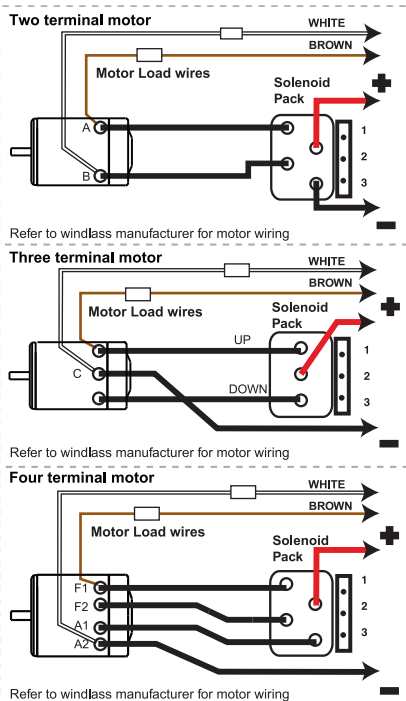
**Note:**  
Base station must be positioned to allow internal access during and after installation

AA702 TERM	
BATT (-)	(-)
BATT (+)	(+)
OUT 1 (+)	(+)
OUT 2 (+)	(+)
OUT 3 (+)	(+)
OUT 4 (+)	(+)
OUT 5 White (+)	(+)
OUT 6 Brown (+)	(+)

## AA702A Base Station Internal Connections

**REFER TO SECTION 2.4.1**

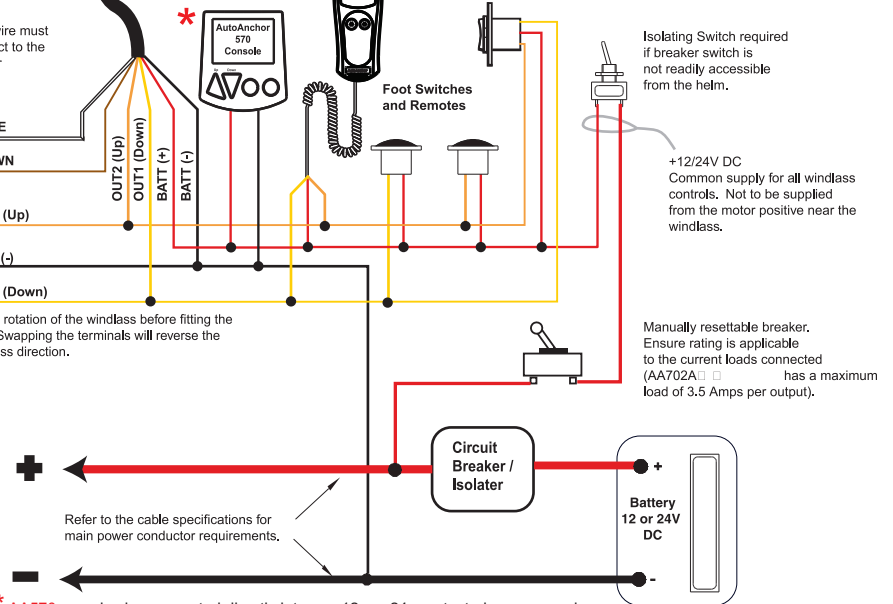
Notes:  
Unused outputs are automatically assigned as auxiliary outputs  
See owners manual section for more details  
All outputs are active high (+)



**IMPORTANT**  
All windlass controls must be wired in parallel

The brown wire must connect direct to the UP (+) motor terminal

Check rotation of the windlass before fitting the rode. Swapping the terminals will reverse the windlass direction.



**WARNING:** Power must be disconnected during installation and when making any changes to wiring after installation

The \*AA570 can also be connected directly into any 12v or 24v protected power supply  
INSTALLATIONS MUST BE CARRIED OUT IN ACCORDANCE WITH USCG, ABYC, NMMA and BMEA REQUIREMENTS