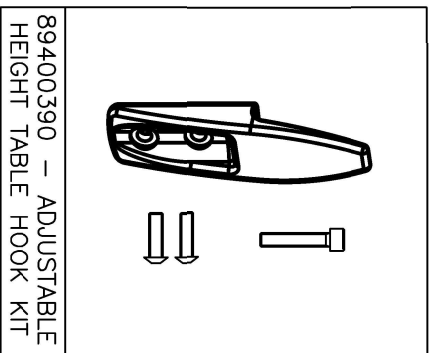
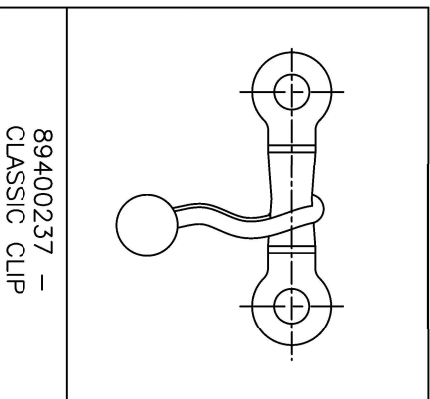


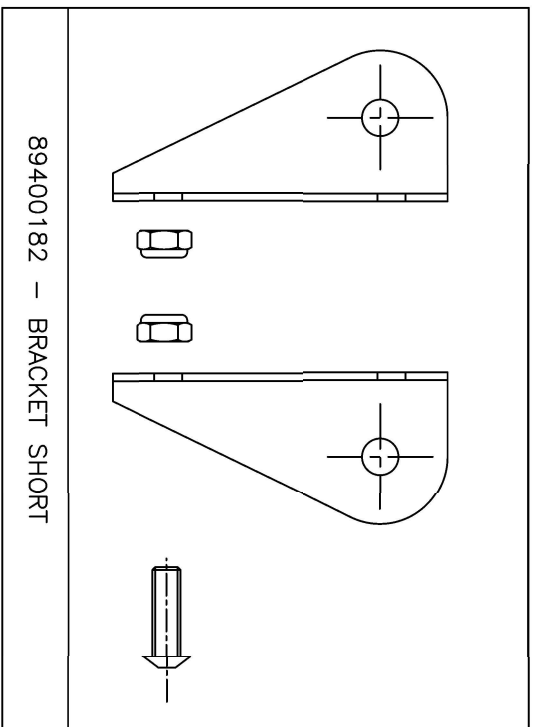
89400334 – TABLE, SOLID  
TEAK UV 208MM



89400390 – ADJUSTABLE  
HEIGHT TABLE HOOK KIT



89400237 –  
CLASSIC CLIP



89400182 – BRACKET SHORT

SPECIFIC NOTES:-

1. ISO METRIC THREADS TO BS3643 6H/6g
2. UNIFIED THREADS TO BS1580 CLASS 2A/2B

3. WOODRUFF KEY SLOTS TO BS4235 PART 2

4. CIRCLIP GROOVES TO BS3673 PART 4

PRODUCTION NOTES:-

- n1. REMOVE ALL BURRS AND SHARP EDGES
- n2. GENERAL TOLERANCE OF  $\pm 0.2mm$  UNLESS STATED OTHERWISE
- n3. ALL ANGULAR DIMENSIONS TO BE  $\pm 0.5^\circ$  UNLESS OTHERWISE SPECIFIED
- n4. M4 BOLTS TO BE TIGHTENED TO  $2.5Nm \pm 0.5Nm$
- M5 BOLTS TO BE TIGHTENED TO  $5.0Nm \pm 1.0Nm$
- M6 BOLTS TO BE TIGHTENED TO  $9.0Nm \pm 1.0Nm$
- M8 BOLTS TO BE TIGHTENED TO  $21.0Nm \pm 2.0Nm$
- M10 BOLTS TO BE TIGHTENED TO  $43.0Nm \pm 3.0Nm$

COPYRIGHT:-

THE DRAWING AND ALL THE INFORMATION PROVIDED ARE PROPERTY OF LEWMAR LTD AND CANNOT BE REPRODUCED, TRANSFERRED OR MODIFIED WITHOUT PERMISSION. COPYRIGHT LEWMAR LTD.

GENERAL NOTES:-

1. ALL DIMENSIONS IN MM UNLESS STATED OTHERWISE
2. GENERAL TOLERANCE OF  $\pm 0.2mm$  UNLESS STATED OTHERWISE

3. REMOVE ALL BURRS AND SHARP EDGES

4. GENERAL TOLERANCE OF  $\pm 0.1/-0.0$  FOR DRILL HOLES UNLESS STATED OTHERWISE

5. ALL ANGULAR DIMENSIONS TO BE  $\pm 0.5^\circ$  UNLESS OTHERWISE SPECIFIED

6. M4 BOLTS TO BE TIGHTENED TO  $2.5Nm \pm 0.5Nm$

7. M5 BOLTS TO BE TIGHTENED TO  $5.0Nm \pm 1.0Nm$

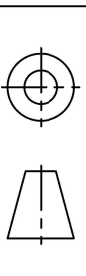
8. M6 BOLTS TO BE TIGHTENED TO  $9.0Nm \pm 1.0Nm$

9. M8 BOLTS TO BE TIGHTENED TO  $21.0Nm \pm 2.0Nm$

10. M10 BOLTS TO BE TIGHTENED TO  $43.0Nm \pm 3.0Nm$

DATE	ISS	CHANGE	BY
11/12/03	A	ILLUSTRATION	AT
12/08/05	B	FOR 1086	MC
09/12/05	C	DWG UPDATE	KO

MATERIAL:-  
TABLE TEAK SOLID DOUBLE LEAF  
UNVARNISHED STD



SCALE:- 1:4 @ A3

DRAWN:- ARTHUR T

DATE:- 11/12/2003

SHEET:- 1 OF 1

CHECK-D:-

**LEWMAR**

LEWMAR STEERING DIVISION  
ULTRA TECHNOLOGIES, UK, LTD. 85  
WATERLOO ROAD, SOUTHAMPTON, SO9 4NS  
TEL: +44(0)1703 600000 FAX: +44(0)1703 600031

DWG NO:- 89400284

REV C

TITLE:- TEAK  
(UNVARNISHED) TABLE  
DOUBLE LEAF  
WITH MOUNTING KIT  
FOR ENGWARD PEDSTAL