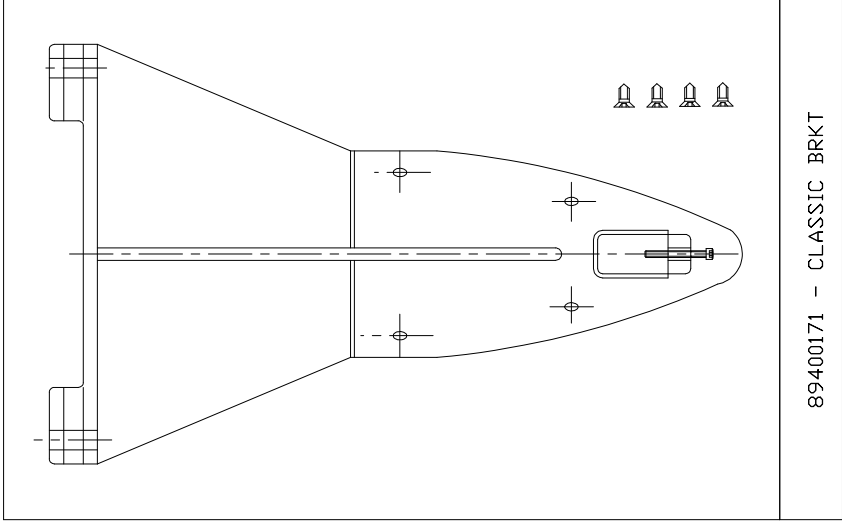
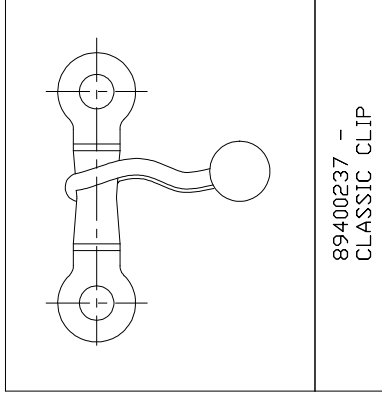


89400335 - TABLE, SOLID TEAK UV 210MM CLAS



89400171 - CLASSIC BRKT



89400237 - CLASSIC CLIP

SPECIFIC NOTES:-

1. ISO METRIC THREADS TO BS3643 6H/6g
2. UNIFIED THREADS TO BS1580 CLASS 2A/2B
3. WOODRUFF KEY SLOTS TO BS4235 PART 2
4. CIRCLIP GROOVES TO BS3673 PART 4

MATERIAL SPEC:-
TABLE TEAK SOLID DOUBLE LEAF UNVARNISHED CLASSIC 82001117

GENERAL NOTES:-

1. ALL DIMENSIONS IN MM UNLESS STATED OTHERWISE
2. GENERAL TOLERANCE OF $\pm 0.2\text{mm}$ UNLESS STATED OTHERWISE
3. REMOVE ALL BURRS AND SHARP EDGES
4. GENERAL TOLERANCE OF $+0.1/-0.0$ FOR DRILL HOLES UNLESS STATED OTHERWISE

THE DRAWING AND ALL THE INFORMATION PROVIDED ARE PROPERTY OF LEWMAR LTD AND CANNOT BE REPRODUCED, TRANSFERRED OR MODIFIED WITHOUT PERMISSION. COPYRIGHT LEWMAR LTD

LEWMAR
LEWMAR LUTON STEERING DIVISION
CRESENT HOUSE, 15 LATTIMER ROAD, LUTON LU1 3UZ, ENGLAND
TEL: +44(0)1525 400331
EMAIL: RESIGN@HWILCOCKSTEERING.CO.UK

SCALE:-	NTS			
DRAWN:-	ARTHUR T			
DATE:-	11/12/03			
SHEET:-	1 OF 1			
CHECK'D:-				
12/12/03	A	FOR PRODN AT		
PART NO:-	89	4	00283	REV
				A

TEAK TABLE DOUBLE LEAF WITH MOUNTING KIT FOR CLASSIC PEDESTAL

CAD FILE I:\CAD_DEPT\DRAWINGS\ASSEMBLIES\894\TABLE DATASHEET\89400283