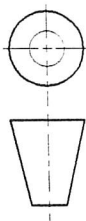


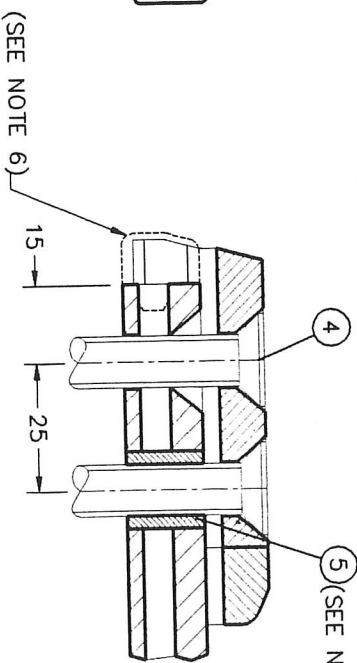
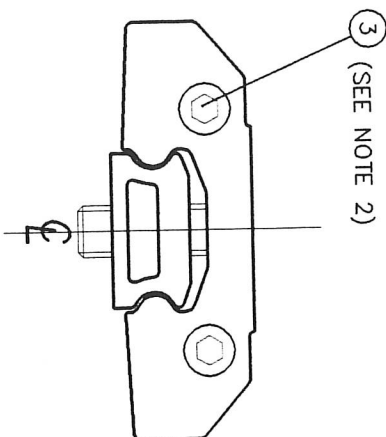
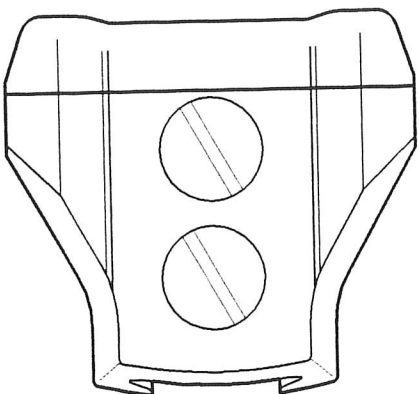
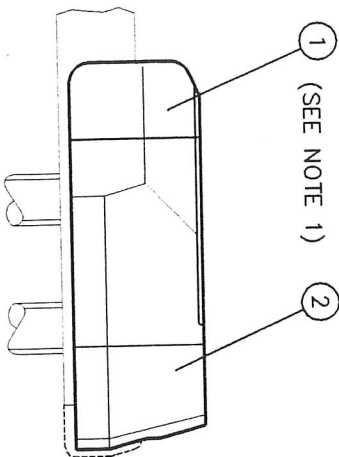
PART N° 29905200

TITLE SIZE 2 PLAIN END STOP

ORIGINAL SIZE A3



REMOVE ALL BURRS AND SHARP EDGES



- NOTES :
- 1) ITEM 1 (BUFFER) TO BE BONDED TO ITEM 2 (BODY) USING B20 CYANOACRYLATE (DEGREASING TO 25000308).
 - 2) LOCITE NUTLOCK (222e) TO BE USED ON ITEM 3.
 - 3) ASSEMBLY IS ATTACHED TO DECK USING 2 OFF ITEM 4 (M10-3/8" CSK BOLTS)
 - 4) DESIGN LOADS ; IMPACT SWL = 1,500 Kg
 - 5) EXTRA HOLE TO BE DRILLED THRO' TRACK Ø15.2/16.0 (5/8") AND ITEM 6 (PLASTIC SPACER) FITTED IN HOLE.
 - 6) END OF TRACK CAN BE TIDIED UP USING END PLUG (25000508)

SECTION ON ϵ

ITEM NO.	DESCRIPTION	PART NUMBER	NO OFF
1	END STOP BUFFER	25000507	1
②	PLAIN END STOP BODY(SHORT)	25000715	1
3	M6 x 10 SKT CAP SCREWS	B0748	2
4	M10 x A/R CSK SCREW(304/316)	CUSTOMER TO SUPPLY	2
⑤	TRACK SPACER(13MET104)	B4318	1

ISSUE	REVISION	MOD N°	DATE
A	ORIGINAL		26/1/93
B	PLUG REMOVED, PLASTIC SPACER SHORTENED		30/3/93
C	ITEM 5 WAS PLASTIC BUSH	HW0817	24/8/93
D	ITEM 5 WAS 25000509/WAS LONG	HW1040	23/2/93

MATERIAL

TOLERANCES (UNLESS STATED)

DRN T.SPOONER

CHD.

TITLE SIZE 2 PLAIN END STOP

FINISH

DATE 26/1/93

SCALE 1:1

UNAUTHORIZED USE, MANUFACTURE OR REPRODUCTION IN WHOLE OR IN PART IS PROHIBITED

ALL DIMENSIONS IN M.M.

PART N° 29905200

