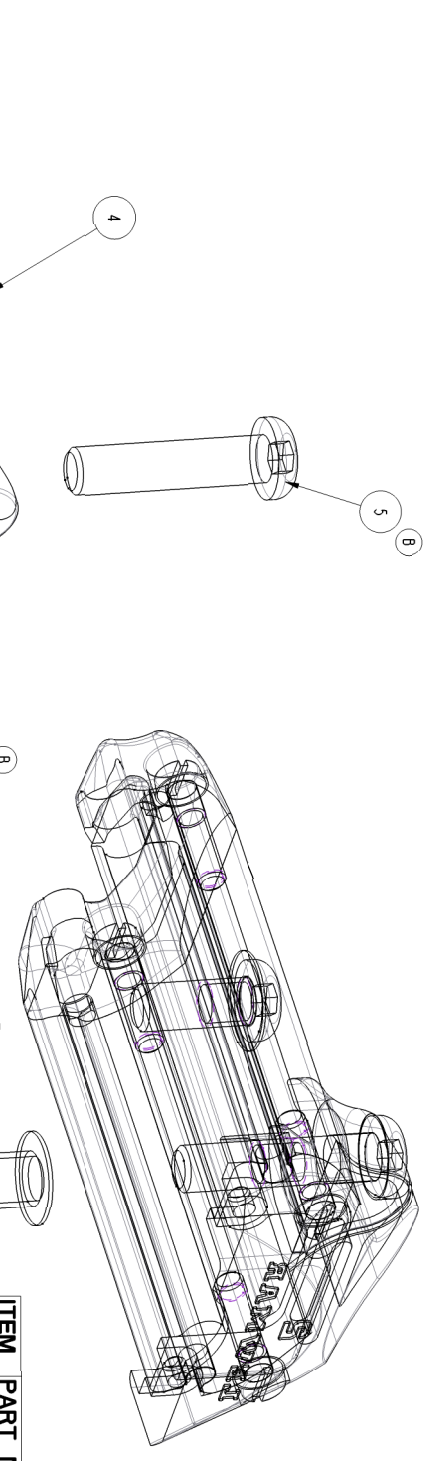


FIRST ANGLE PROJECTION

REMOVE ALL BURRS AND SHARP EDGES

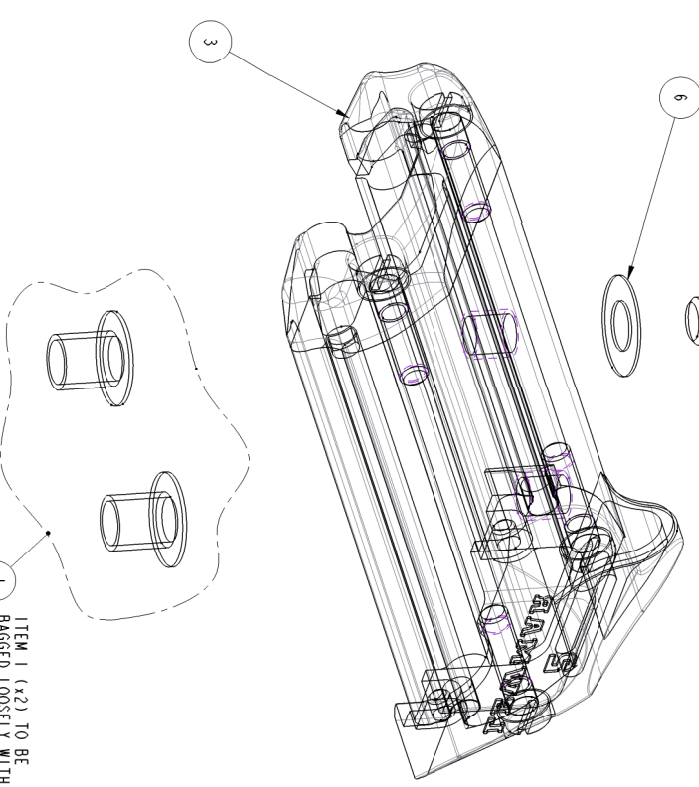
ISSUE	REVISION	MOD No.	DATE
B	SEE MOD SHEET	HW5219	17-Dec-08



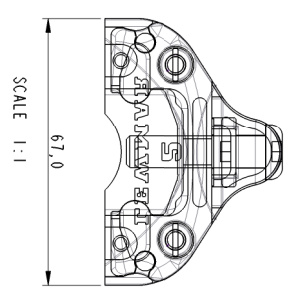
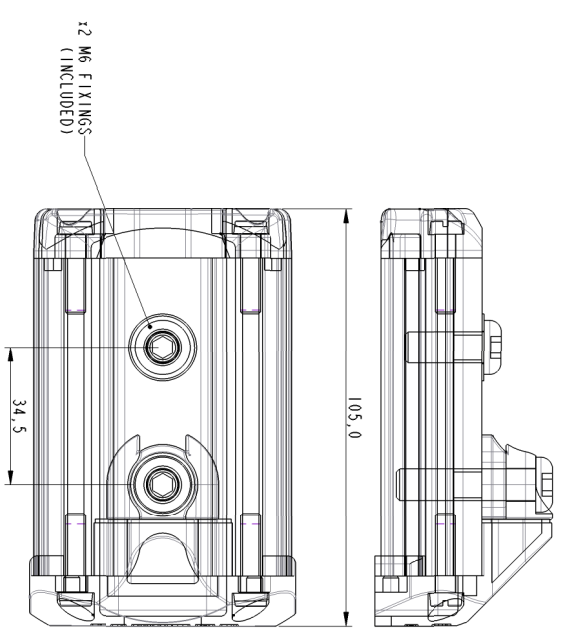
SCALE 3:2

ITEM	PART No	DESCRIPTION	QTY
1	25000120	NYLON BUSH	2
2	25003593	S22 PIVOT END COVER	1
3	28002987	S22 END STOP KIT	1
4	B20201	M8x20mm SKT BUTTON HEAD A4	1
5	B20203	M8x35mm SKT BUTTON HEAD A4	1
6	B4411	M8 NYLATRON 17x8.4x0.5	1
7	25003791	E/S INSTRUCTION SHEET	1
	B4310	CENTRIFUGE VIAL TWY192	1

NOTE - DO NOT APPLY LOCTITE TO SCREWS



ITEM 1 (X2) TO BE BAGGED LOOSELY WITH INSTRUCTION SHEET No. 25003791 & GREASE B4310



PART No. 29472030

ORIGINAL SIZE A2  
REFERENCE SCALE IN MM  
0 10 20 30 40 50  
Unauthorized use, manufacture or reproduction in whole or in part is prohibited

MATERIAL TBD	ALL DIMENSIONS IN mm	DRN G PUGH	TITLE S22 C/L END STOP BASE
FINISH	TOLERANCES (UNLESS STATED) LINEAR ± ANGULAR ±	DATE 13-Oct-04	PART No. 29472030
		SCALE 3:2	LEWIS & CLARK