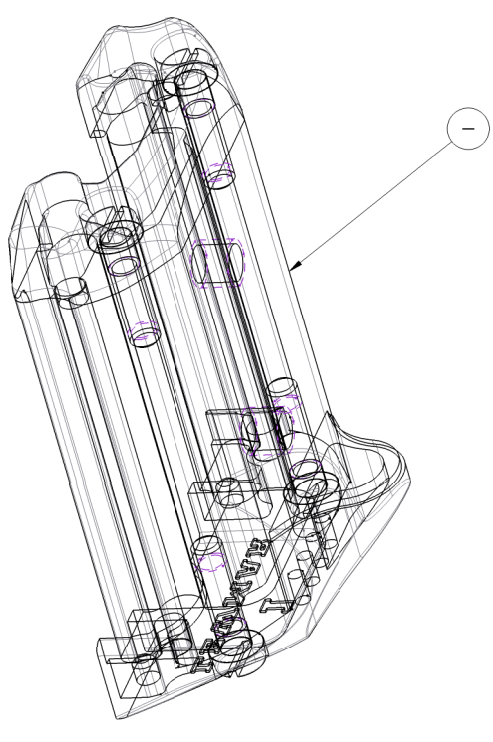
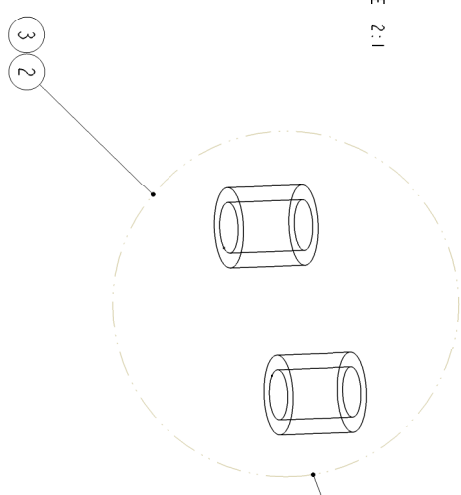


ISSUE	REVISION	MOD No.	DATE
A	FIRST ISSUE	HW4121	13-04-04



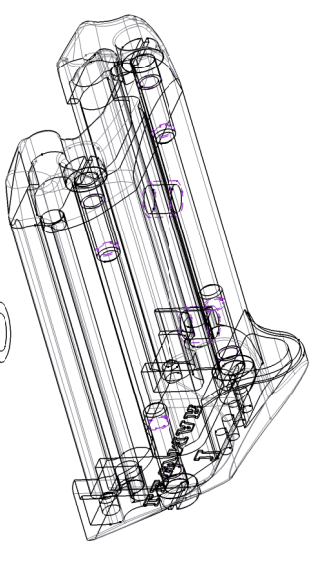
SCALE 2:1



ITEMS 2&3 (x2) TO BE BAGGED LOOSELY WITH ASSEMBLY

- NOTES
- DESIGN LOADS  
SML : 585 kg  
BL : 1170 kg
  - WEIGHT
  - ITEM 9 - COMPONENTS TO BE BAGGED & ATTACHED TO THE GEN. PURPOSE RETAIL HEADER P/No. 25003754

POST-ASSEMBLY CHECKS  
BEFORE BAGGING, CHECK THAT ALL PARTS ARE FREE OF DAMAGE / SCRATCHES - IF DAMAGED, CONSULT INSPECTION DEPT



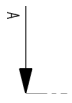
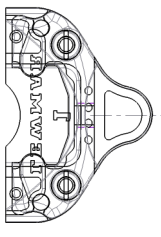
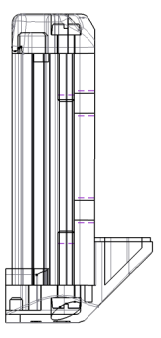
ITEM	PART No	DESCRIPTION	QTY
1	28002926	SZ1 END STOP KIT	1
2	B4300	SPACER 13ME071	2
3	B4312	NYLON SPACER P30484889	2
4	B1879	PLASTIC BAG	0.5
5	B3009	CARDBOARD BOX	0.01
6	25003791	SZ1 E/S INSTN SHEET	1
7	25003858	END STOP KIT INSTN SHEET	1
8	B4310	CENTRIFUGE VIAL TW1192	1
9	25003754	RETAIL CARD	1

PART No. 29471030

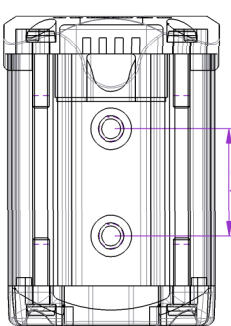
ORIGINAL SIZE A2  
REFERENCE SCALE IN MM  
0 10 20 30 40 50  
Unauthorized use, manufacture or reproduction  
in whole or in part is prohibited

MATERIAL	ALL DIMENSIONS IN mm	DRN	TITLE
FINISH	TOLERANCES (UNLESS STATED) LINEAR ± ANGULAR ±	G PUGH	SZ1 C/L END STOP BASE
	DATE 13-04-04	SCALE 3:2	PART No. 29471030
	MODEL NAME: 29471030		LEWIS & CLARK

PART No. 29471030		FIRST ANGLE PROJECTION		REMOVE ALL BURRS AND SHARP EDGES	
ORIGINAL SIZE A3 REFERENCE SCALE IN MM 0 10 20 30 40 50		MATERIAL TBD		ALL DIMENSIONS IN mm	
Unauthorized use, manufacture or reproduction in whole or in part is prohibited		FINISH TBD		TOLERANCES (UNLESS STATED) LINEAR ± ANGULAR ±	
E MODEL NAME: 29471030F		DRN G PUGH		DATE 01-Oct-02	
SCALE 1:1		TITLE S21 C/L END STOP BASE		MOD No. HWA121	
PART No. 29471030		DATE 01-Oct-02		DATE 01-Oct-02	
LEWIS & CLARK					

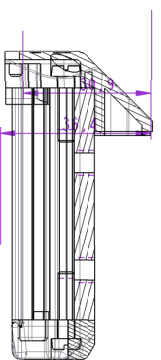


25.0



26.0

5.5  
9.4  
10.9



SECTION A-A