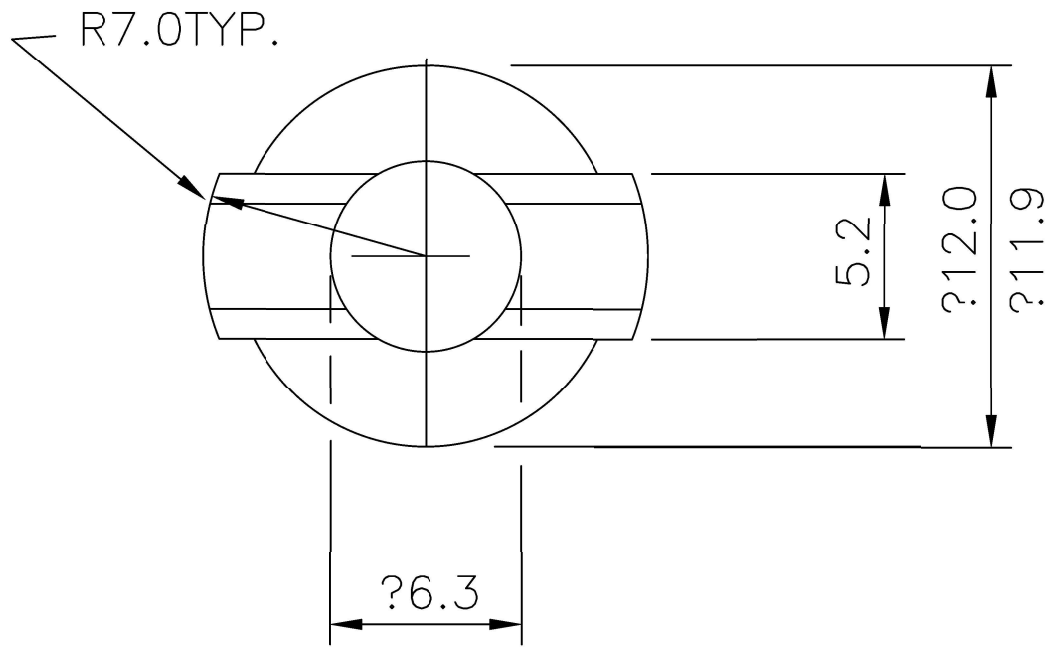
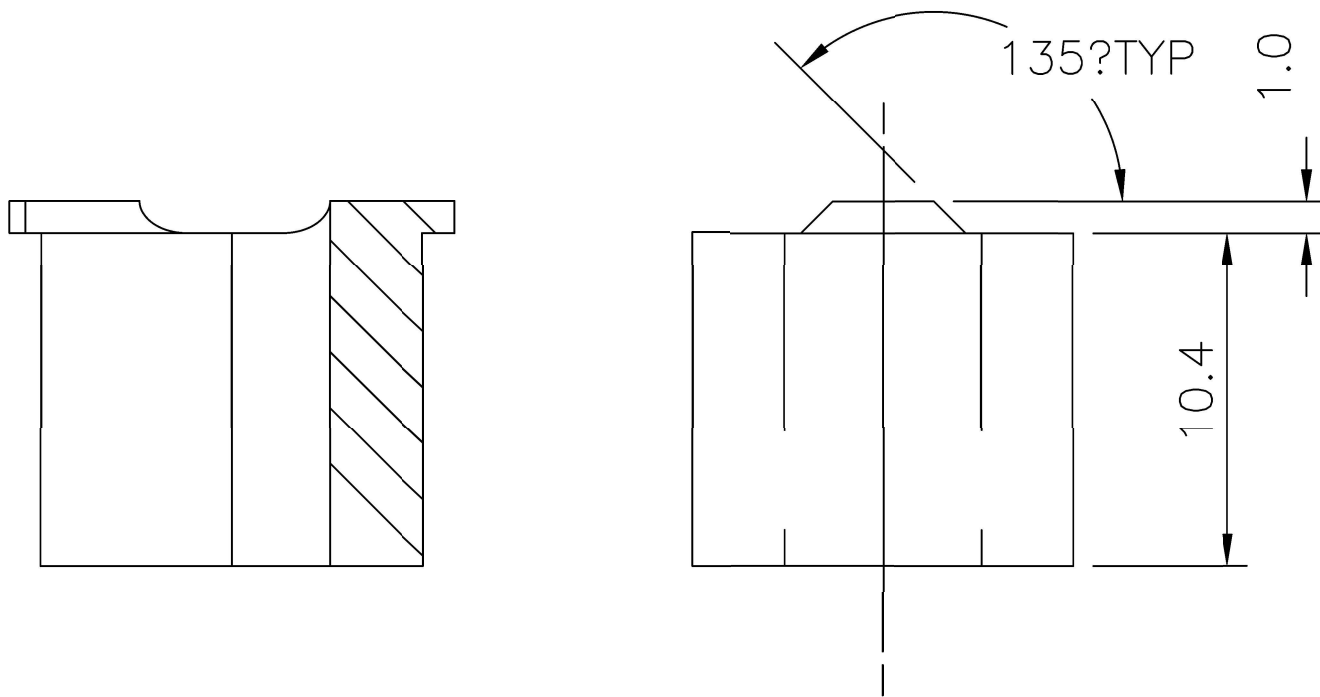


PART N° 25000010

TITLE SZ1 C/L SHEAVE BRG.

FIRST ANGLE PROJECTION



REMOVE ALL BURRS AND SHARP EDGES

Unauthorised use, manufacture or reproduction
In whole or in part is prohibited

				TOLERANCES (UNLESS STATED)	DRN.
				? 0.1	M.P.
				? .5 ?	CHD.
B	MATL. NOW POLYESTER	HW0053	20.3.91		DATE
A	INITIAL ISSUE		11.10.90		11.10.90
ISSUE	REVISION	MOD N°	DATE	ALL DIMENSIONS IN M.M.	SCALE 4:1
MATERIAL POLYESTER 30% G.F.			FINISH BLACK		
TITLE SZ1 C/L SHEAVE BRG.			PART N° 25000010		LEWMAR