

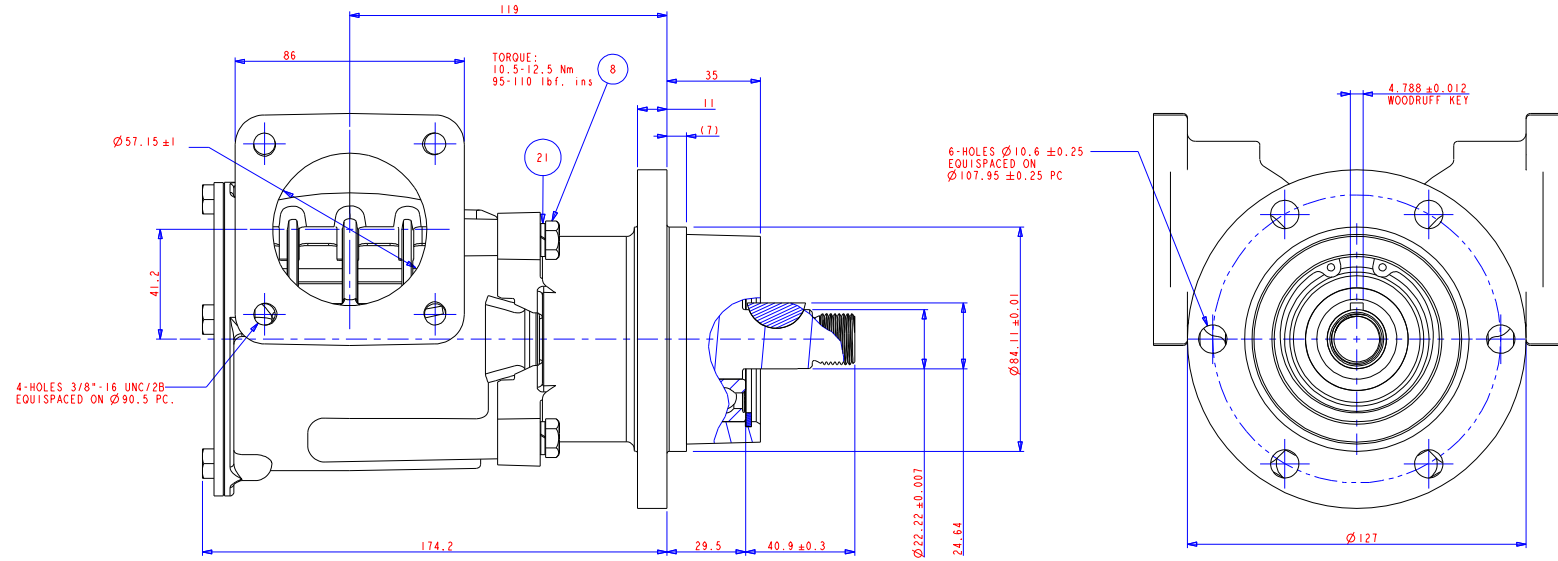
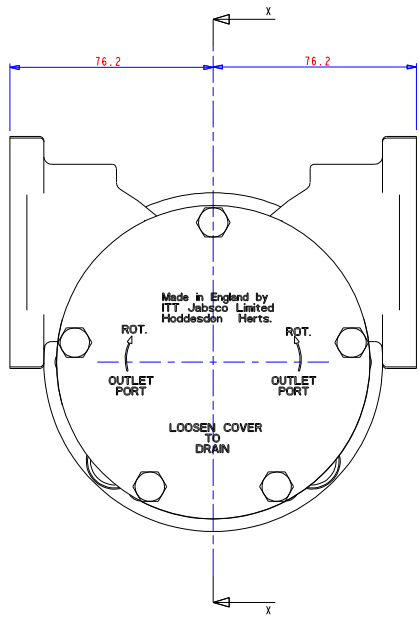
KEY	DESCRIPTION	PART NUMBER	QTY
1	BEARING - BALL	SP2601-0458	2
2	BEARING HOUSING	10594-0030	1
3	BODY 270 PUMP	10494	1
4	CAM	6988	1
5	DOWEL PIN	2575	1
6	END COVER BLANK	9336	1
7	GASKET	816	1
8	HEX HEAD BOLT	SP1094-0100	4
9	HEX HEAD SCREW	SP1095-0640	5
10	IMPELLER 270	17936-0111	1
11	KEY - WOODRUFF	SP1402-04	1
12	LIP SEAL	SP2701-54	1
13	RETAINING RING	SP1701-244	1
14	RETAINING RING	Y5026-08	2
15	SCREW 1/4"-20 UNC x 1/2" LONG	SP1005-04	1
16	SEAL - ROTARY	SP6080-0374	1
17	SEAL SEAT / CUP RUBBER ASSY	10162-0100	1
18	SEAL SPLINE	4346	1
19	SHAFT 270 PUMP	11256-01	1
20	SLINGER	3181-6000	1
21	SPRING WASHER	SP1602-13	4
22	WEARPLATE	2574	1

THE FOLLOWING ITEMS DO NOT FORM PART OF THE ASSEMBLY BUT ARE REQUIRED:

CARTON 197x217x331	PC100-0008	1
LABEL - CARTON	23007-6866	1
THREAD GUARD (RED CAP)	SP2650-0257	1

SK254 - SERVICE KIT
10782-63 - BEARING HOUSING ASSEMBLY
23700-0015 - ASSEMBLY INSTRUCTIONS
23400-0089 - TEST INSTRUCTIONS

SECTION X-X



LOCAL SECTION SECTION X-X

E 003982	09.12.08	
ISSUE	ECN No.	DATE

Jabco
ITT Industries

8 SINGLE ROAD, HODDESDON
HERTS., EN11 8BU, ENGLAND
011992 450145
www.jabco.com

UNLESS OTHERWISE STATED DIMENSIONS ARE IN MM
TO 2 DECIMALS UNLESS OTHERWISE STATED ARE:
DECIMALS
FRACTIONS
ANGULAR

THIS DOCUMENT IS THE PROPERTY OF ITT JABCO
IT IS NOT TO BE REPRODUCED, COPIED, LOANED
OR IN ANY MANNER DISSEMINATED WITHOUT THE
WRITTEN PERMISSION OF ITT JABCO

SCALE: 1.000

DRWN SJC
CHKD YAPPD
DH

09.12.08
09.12.08

MATERIAL:
TITLE: INSTALLATION / ASSEMBLY
DRAWING NO.: 10590-0111

2002
A1