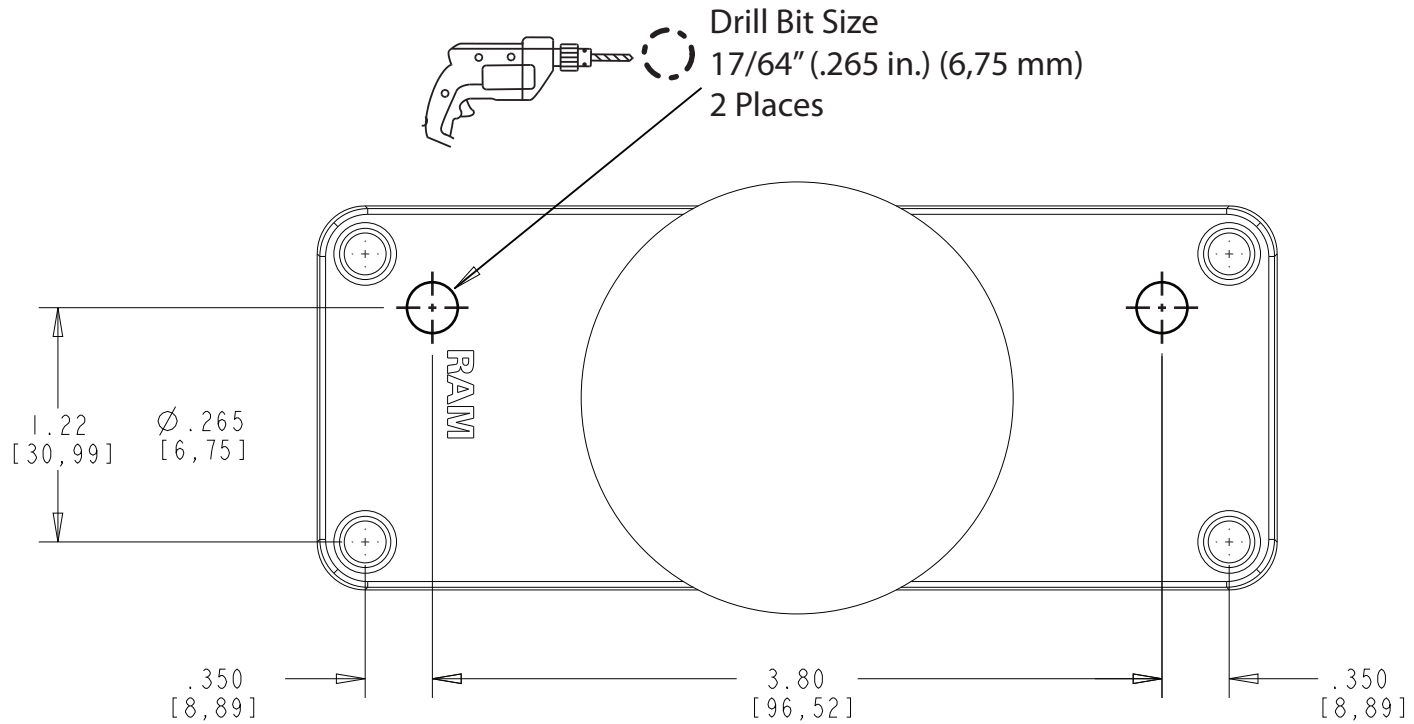




RAM Mount Conversion for **ONIX8/ONIX10**



RAM Product Number: **RAM-D-202U-25**
RAM 2" x 5" Rectangle Base with 2.25" Ball