



MACHINE SCREW TORX A4 BULK

SKU: 9475-XXX-B
55,66 € - 364,35 €



VARIATIONS

SKU	Price	Variant
9475-680-200	364,35 €	Skruv A4 FTS TX30-M6x80 200st
9475-670-200	210,51 €	Skruv A4 FTS TX30-M6x70 200st
9475-660-200	145,74 €	Skruv A4 FTS TX30-M6x60 200st
9475-650-200	130,56 €	Skruv A4 FTS TX30-M6x50 200st
9475-640-200	91,09 €	Skruv A4 FTS TX30-M6x40 200st
9475-630-200	75,90 €	Skruv A4 FTS TX30-M6x30 200st
9475-550-200	89,07 €	Skruv A4 FTS TX25-M5x50 200st
9475-540-500	173,06 €	Skruv A4 FTS TX25-M5x40 500st
9475-530-500	125,50 €	Skruv A4 FTS TX25-M5x30 500st
9475-525-500	115,38 €	Skruv A4 FTS TX25-M5x25 500st
9475-516-500	77,94 €	Skruv A4 FTS TX25-M5x16 500st
9475-440-500	120,44 €	Skruv A4 FTS TX20-M4x40 500st
9475-430-500	117,41 €	Skruv A4 FTS TX20-M4x30 500st
9475-416-500	55,66 €	Skruv A4 FTS TX20-M4x16 500st
9475-412-500	62,75 €	Skruv A4 FTS TX20-M4x12 500st
9475-425-500	77,94 €	Skruv A4 FTS TX20-M4x25 500st
9475-420-500	64,77 €	Skruv A4 FTS TX20-M4x20 500st

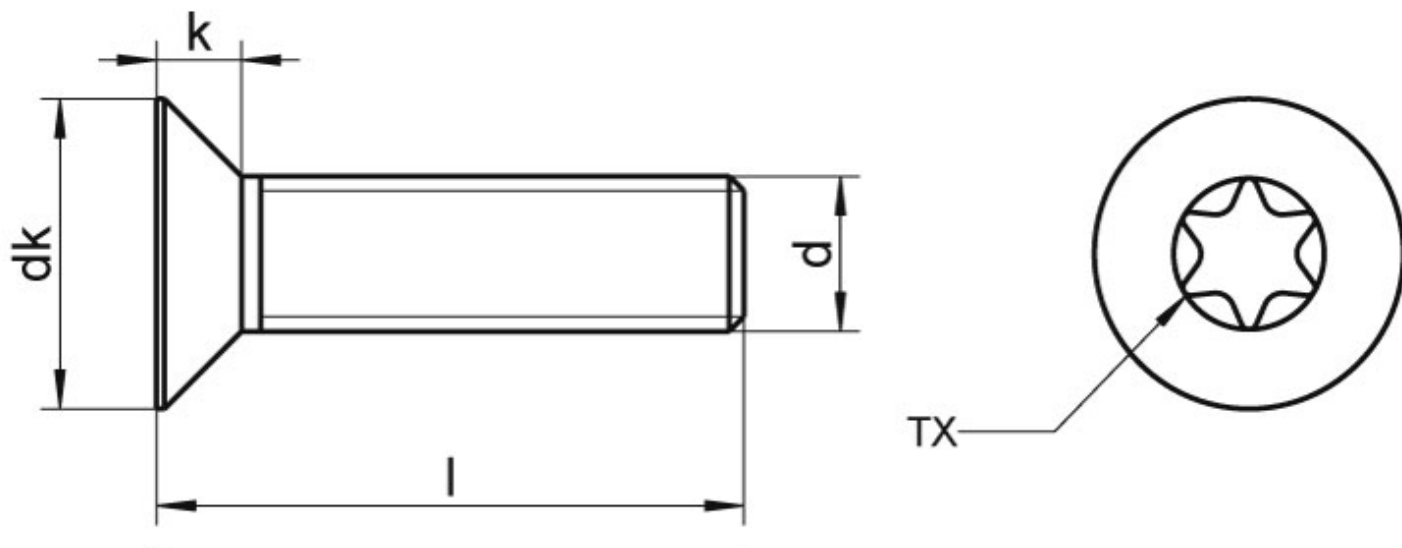
PRODUCT DESCRIPTION

Ruostumaton ja haponkestävä koneruuvi uppokanta ja torx DIN 9475 mukaan.

Bulkkipakkaus.



PRODUKTSPECIFIKATION



Kaikki mitat on annettu millimetreinä.

Tuotenro	dk	k	l	d	TX
9475-516-10	9,2	2,5	16	M5	25
9475-525-10	9,2	2,5	25	M5	25
9475-530-10	9,2	2,5	30	M5	25
9475-540-10	9,2	2,5	40	M5	25
9475-550-10	9,2	2,5	50	M5	25
9475-640-5	11,0	3,0	40	M6	30
9475-630-10	11,0	3,0	30	M6	30
9475-650-5	11,0	3,0	50	M6	30
9475-660-5	11,0	3,0	60	M6	30
9475-670-2	11,0	3,0	70	M6	30
9475-680-2	11,0	3,0	80	M6	30

