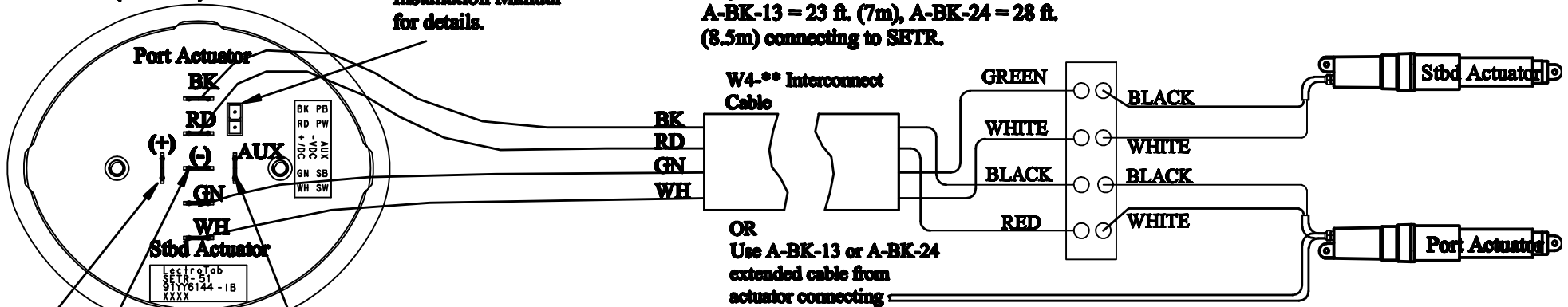


"OVAL" (SETR) Control Installation Diagram

Oval (SETR) Control

Communications Port for second station. See Installation Manual for details.

W4-** (**=length) 4 conductor, 14 AWG interconnect cable may be used or actuator may be ordered with extended cable i.e. A-BK-13 = 23 ft. (7m), A-BK-24 = 28 ft. (8.5m) connecting to SETR.



OR
Use A-BK-13 or A-BK-24 extended cable from actuator connecting directly to SETR.

See Note S1

.1 amp Fuse

(+)12 or 24 VDC input power.
Use 16ga. wire min.

(-) DC ground
Use 14ga. wire

(+)12 or 24 VDC input power.

Use 14ga. wire.
12vdc = 15 or 20 amp fuse
24vdc = 10 amp fuse
This input voltage must match the voltage rating on the actuators being used.

Note: "Oval" AUX terminal function:

- 1) Switch (S1) opens 12vdc power to initiate a 10 second tab retract and Oval control will shut down.
- 2) Switch (S1) closes 12vdc power to initiate a 10 second tab retract and Oval control will continue functioning.
- 3) The Aux terminal is typically connected to a +12vdc source that is shut down after docking to allow tabs to retract, recalibrate and prevent damage.