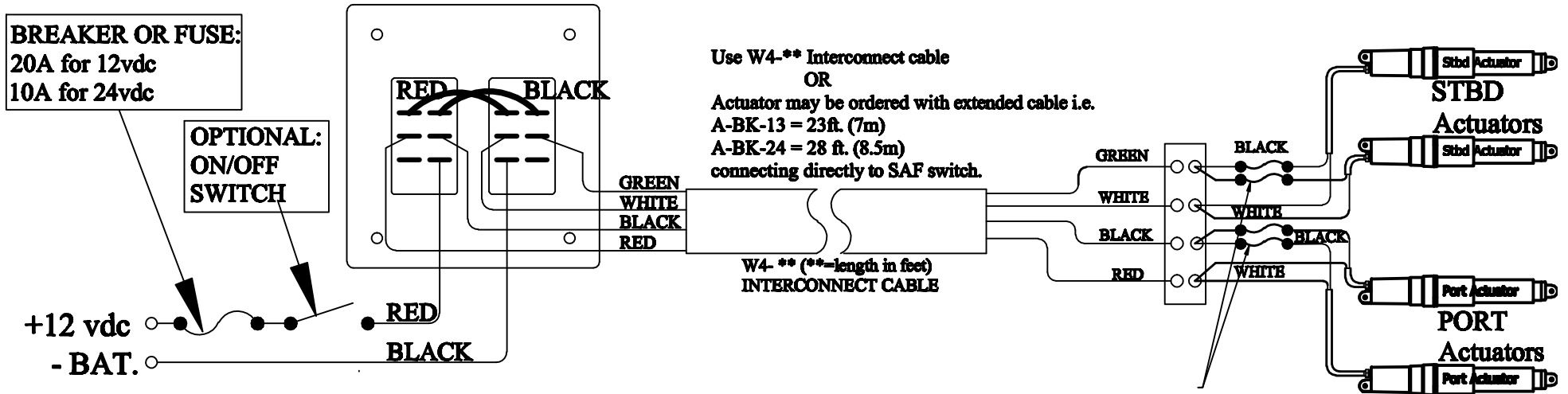


# SAF-S OR SAB-S INSTALLATION DIAGRAM W/ 4 ACTUATORS

SAF-S OR SAB-S  
(REAR VIEW W/ TEXT UP)



Use W4-\*\* Interconnect cable  
OR  
Actuator may be ordered with extended cable i.e.  
A-BK-13 = 23ft. (7m)  
A-BK-24 = 28 ft. (8.5m)  
connecting directly to SAF switch.

W4- \*\* (\*\*=length in feet)  
INTERCONNECT CABLE

Fuse Note:  
For 2 actuators per  
tab applications, a  
fuse must be attached  
to each actuator's  
black wire as shown.  
Fuse size not to  
exceed 10 amps for  
12vdc and 5 amps for  
24vdc. Please call  
Lectrotab for fuse  
sizing (888-532-8768).